



US00D398894S

United States Patent [19]
Kelley

[11] **Patent Number: Des. 398,894**

[45] **Date of Patent: **Sep. 29, 1998**

[54] **WHEEL RIM**

[75] Inventor: **Steve Kelley**, Irvine, Calif.

[73] Assignee: **Wheel Components, Inc.**, Fullerton, Calif.

[**] Term: **14 Years**

[21] Appl. No.: **68,165**

[22] Filed: **Apr. 14, 1997**

[51] **LOC (6) Cl.** **12-16**

[52] **U.S. Cl.** **D12/208**

[58] **Field of Search** D12/204-213;
301/64.1, 65, 37.1

[56] **References Cited**

U.S. PATENT DOCUMENTS

D. 103,682	3/1937	Kerr	D12/206
D. 172,292	5/1954	Lyon	D12/206
D. 267,488	1/1983	Hayashi	D12/211
D. 367,031	2/1996	Hubbach	D12/209
D. 371,533	7/1996	Castiglione	D12/209

D. 372,698	8/1996	Mantua	D12/209
D. 375,073	10/1996	Theiss	D12/209
D. 375,075	10/1996	Kugler	D12/209
D. 377,471	1/1997	Stach	D12/209

Primary Examiner—James Gandy
Assistant Examiner—Stacia Sinuik
Attorney, Agent, or Firm—Fulwider Patton Lee & Utecht, LLP

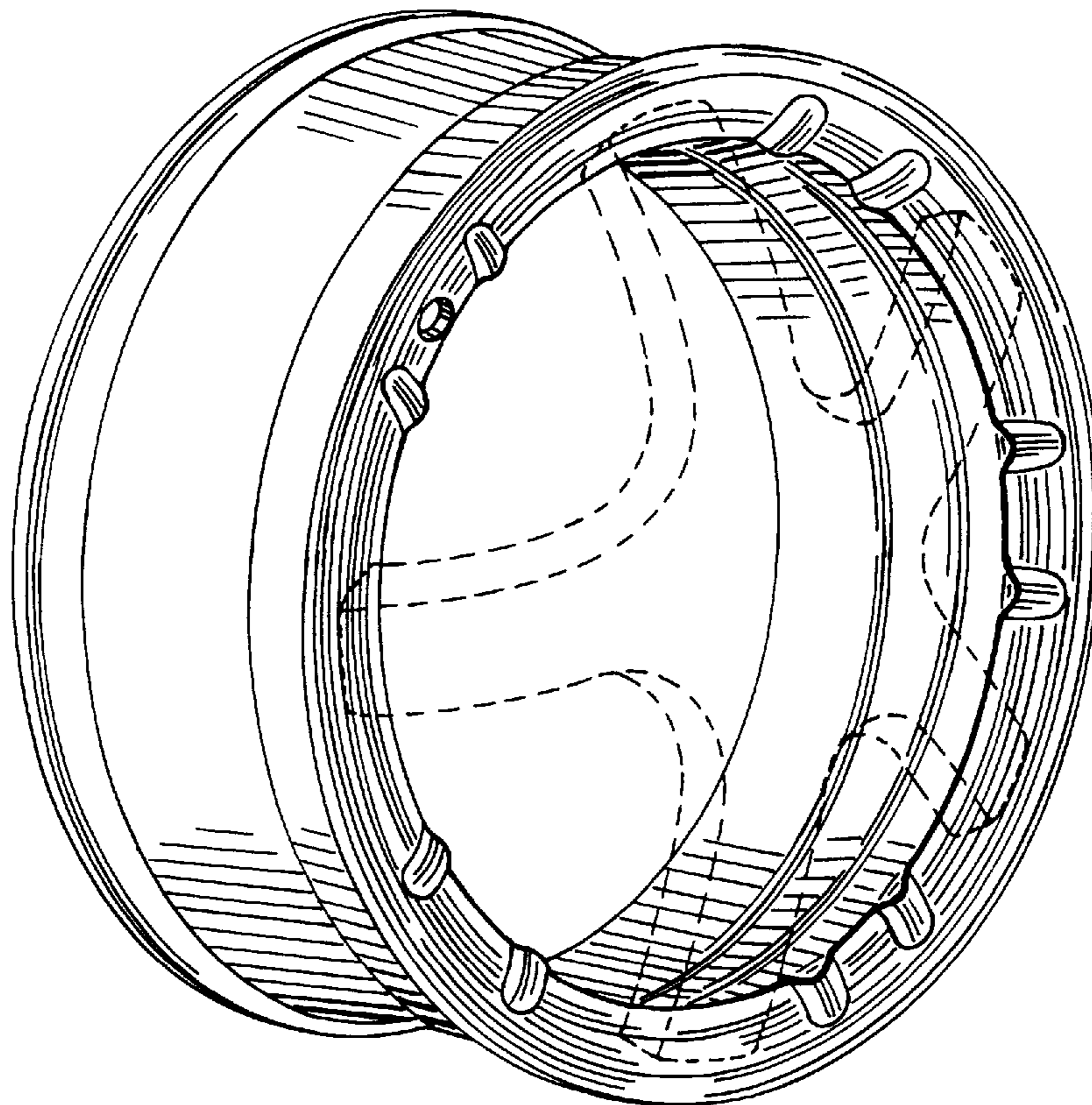
[57] **CLAIM**

The ornamental design for a wheel rim, as shown and described.

DESCRIPTION

FIG. 1 is a perspective view showing my new wheel rim design;
FIG. 2 is a front view thereof;
FIG. 3 is a back view thereof;
FIG. 4 is fragmentary sectional view, in enlarged scale, through the line 4—4 of FIG. 3; and,
FIG. 5 is an elevational view of the left side thereof.

1 Claim, 3 Drawing Sheets



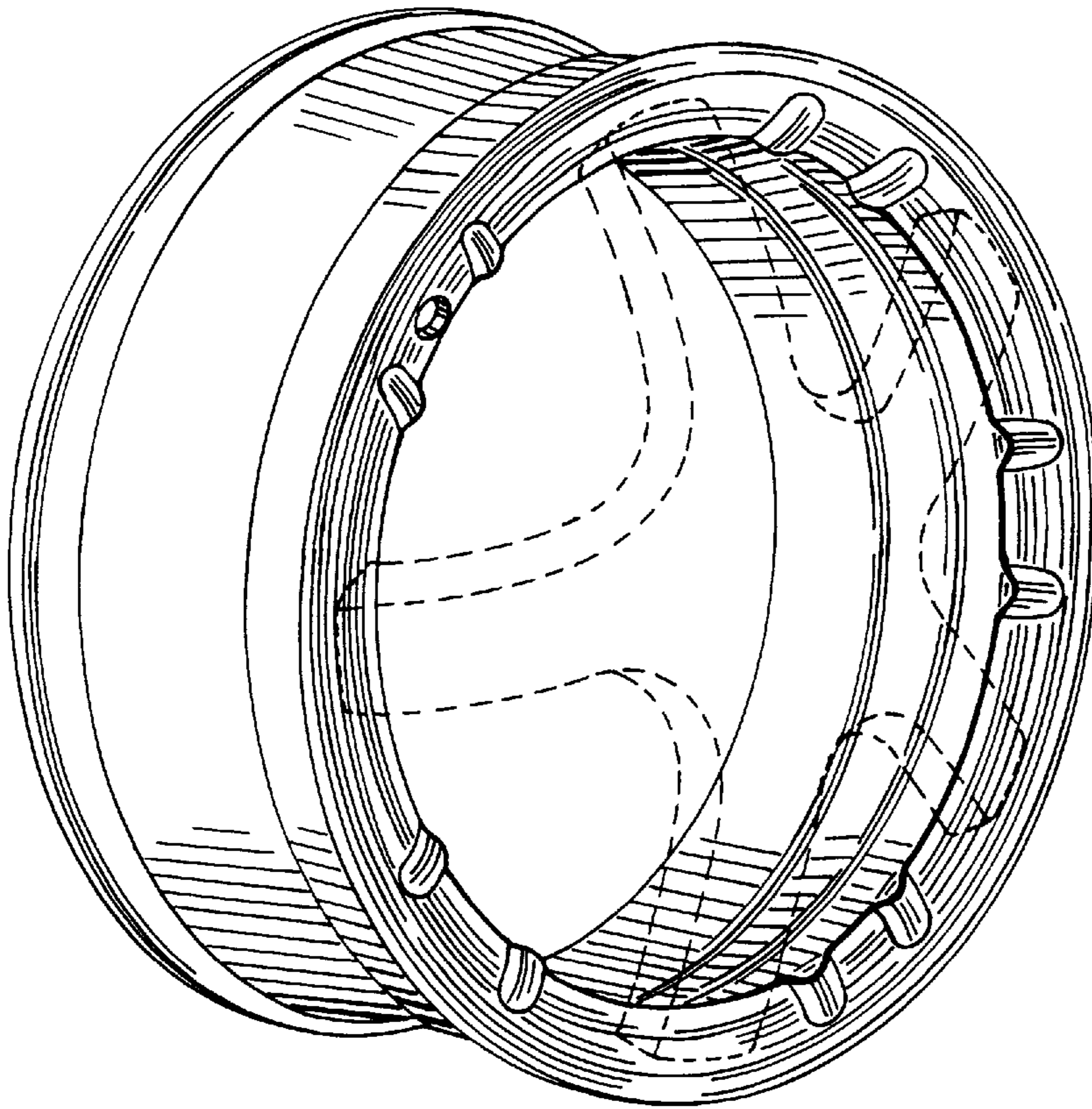


FIG. 1

FIG. 2

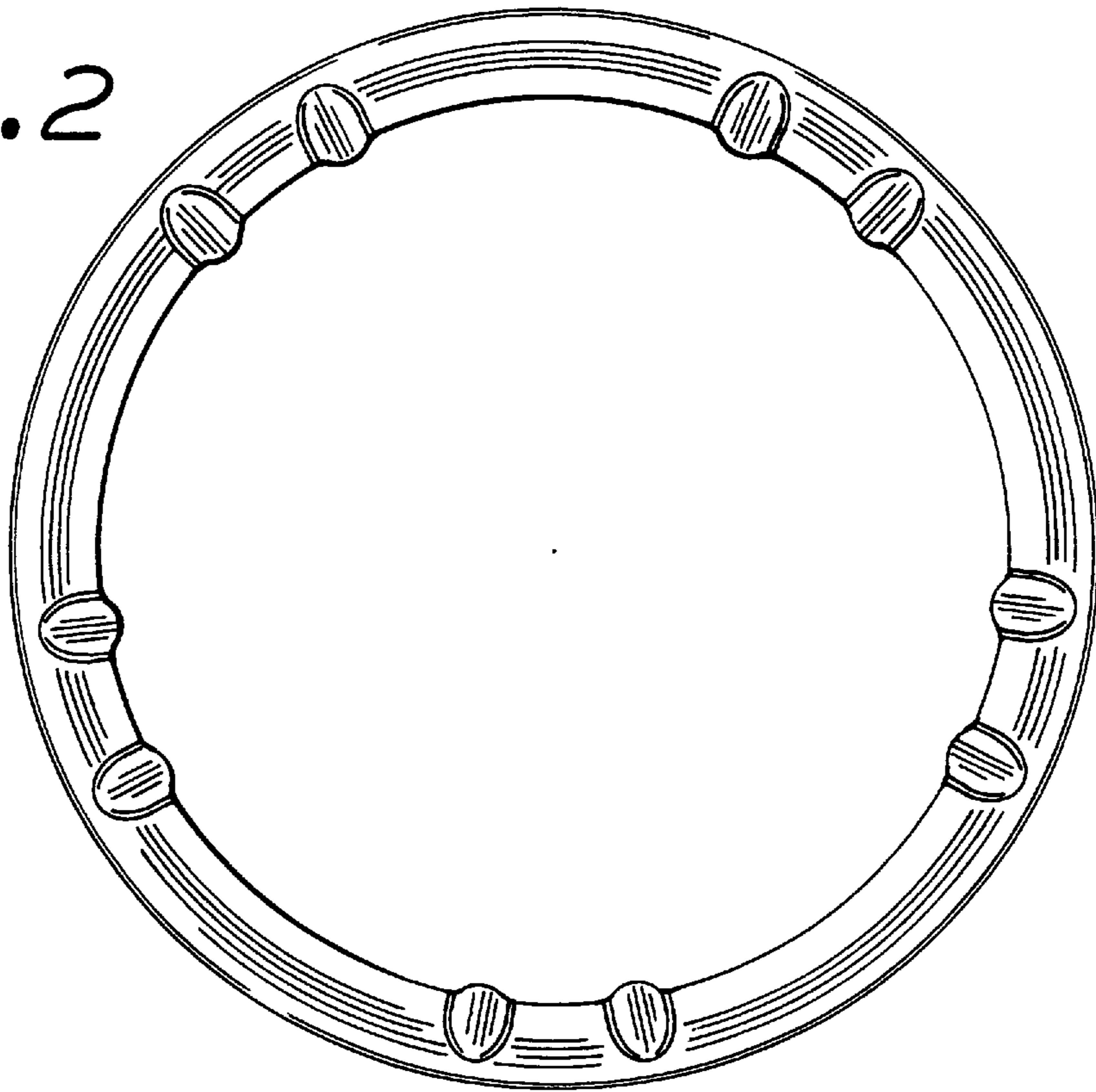


FIG. 3

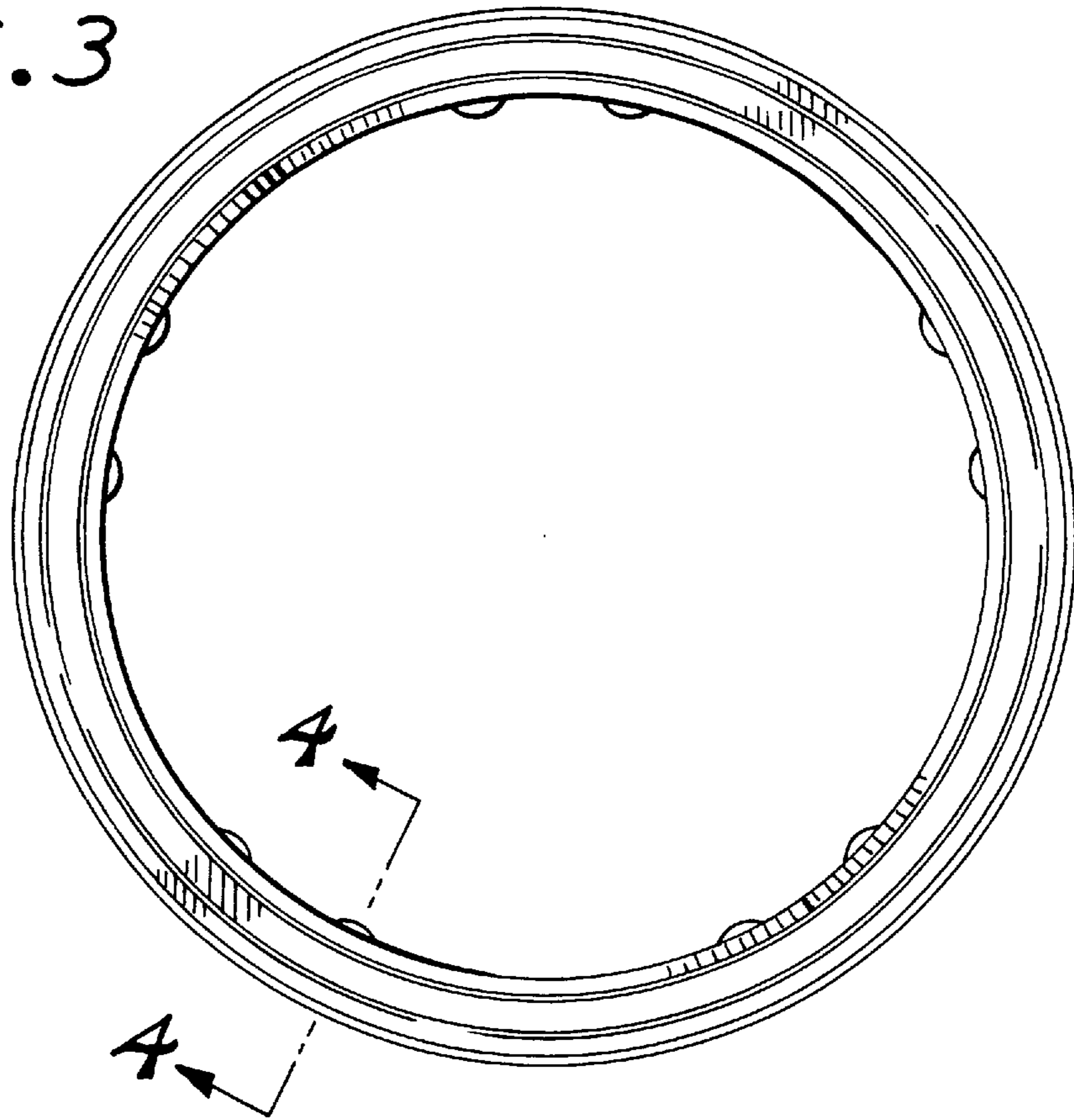


FIG. 4

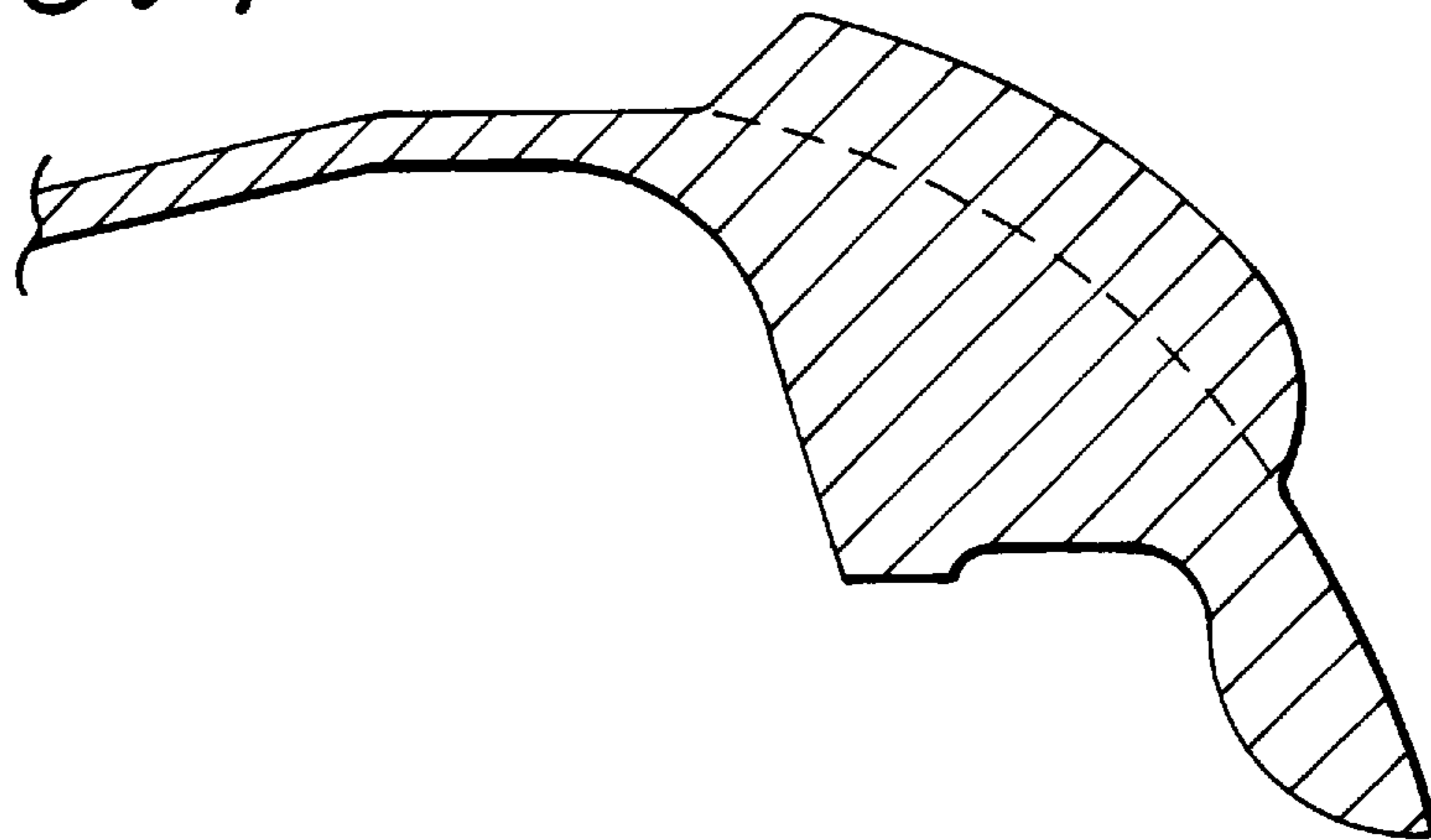


FIG. 5

