



US00D398888S

United States Patent [19] de Barsy

[11] Patent Number: **Des. 398,888**

[45] Date of Patent: ****Sep. 29, 1998**

[54] **TIRE TREAD**

[75] Inventor: **Olivier de Barsy**, Kleinbettingen, Luxembourg

[73] Assignee: **The Goodyear Tire & Rubber Company**, Akron, Ohio

[**] Term: **14 Years**

[21] Appl. No.: **70,908**

[22] Filed: **Jun. 2, 1997**

[51] **LOC (6) Cl.** **12-15**

[52] **U.S. Cl.** **D12/146**

[58] **Field of Search** D12/16, 134, 136, D12/138, 140-151; 152/209 R, 209 A, 209 D

[56] **References Cited**

U.S. PATENT DOCUMENTS

D. 329,412	9/1992	Maxwell et al.	D12/147
D. 379,444	5/1997	Graas et al.	D12/147
D. 379,448	5/1997	Graas et al.	D12/147
D. 383,717	9/1997	Freund et al.	D12/147
1,972,820	9/1934	Smith	D12/134 X
2,642,914	6/1953	Palko et al.	D12/134 X
3,004,578	10/1961	Braudorn	D12/134 X

OTHER PUBLICATIONS

Nokian Hakkapelitta NR09 Tire, 1996 Tread Design Guide, p. 55, Feb. 1996.

Primary Examiner—Robert M. Spear
Attorney, Agent, or Firm—David L. King

[57] **CLAIM**

The ornamental desing for a tire tread, as shown and described.

DESCRIPTION

FIG. 1 is a perspective view of a tire tread, it being understood that the pattern repeats uniformly throughout the circumference of the tread, and the opposite side perspective view being a mirror image thereof;

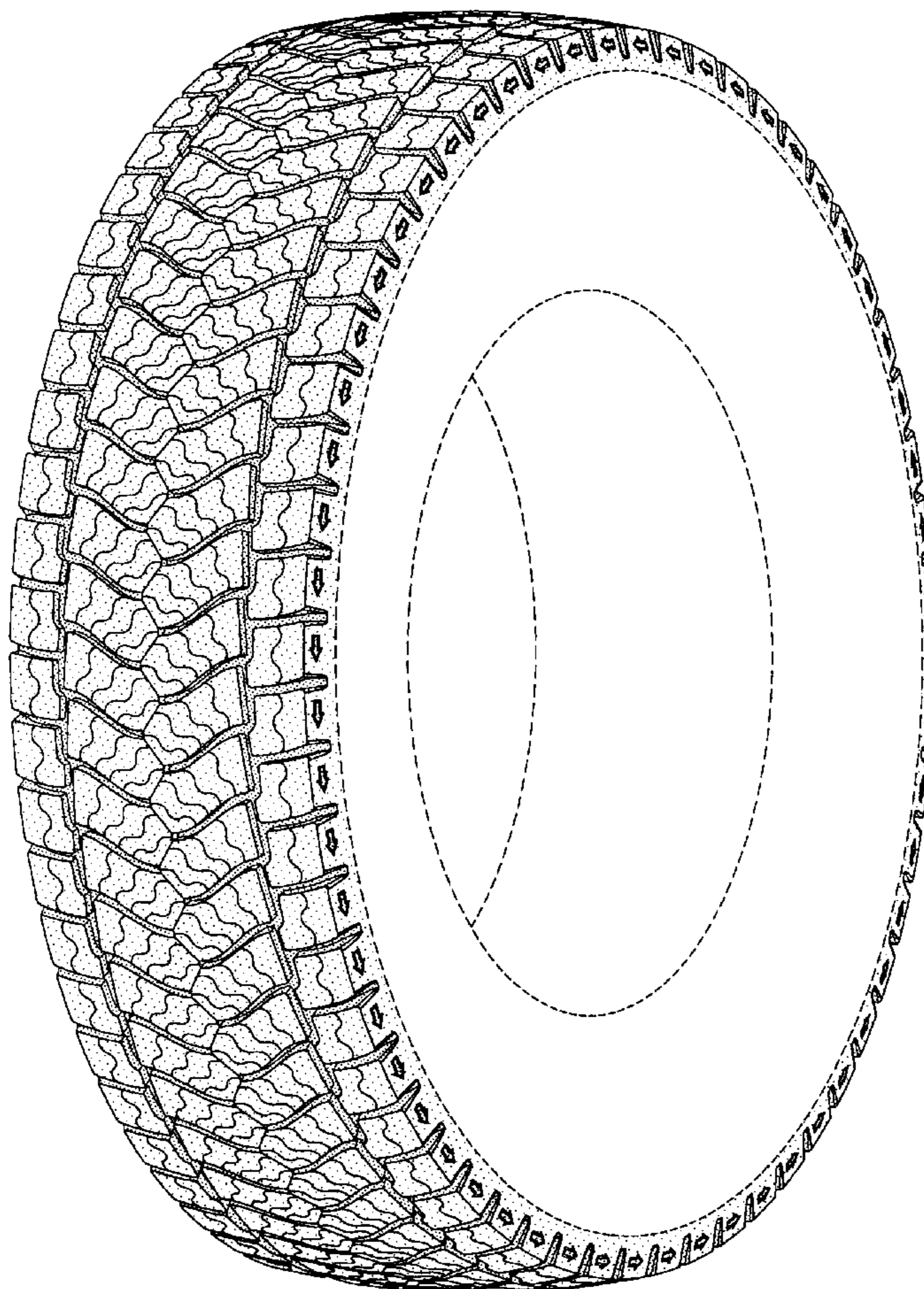
FIG. 2 is a front elevational view thereof;

FIG. 3 is a side elevational view thereof, the opposite side elevational view being a mirror image thereof; and,

FIG. 4 is an enlarged fragmentary front perspective view thereof.

The broken lines depicting the tire inner bead and sidewall and the peripheral boundary between the tire tread and the sidewall are for illustrative purposes only and form no part of the claimed design.

1 Claim, 4 Drawing Sheets



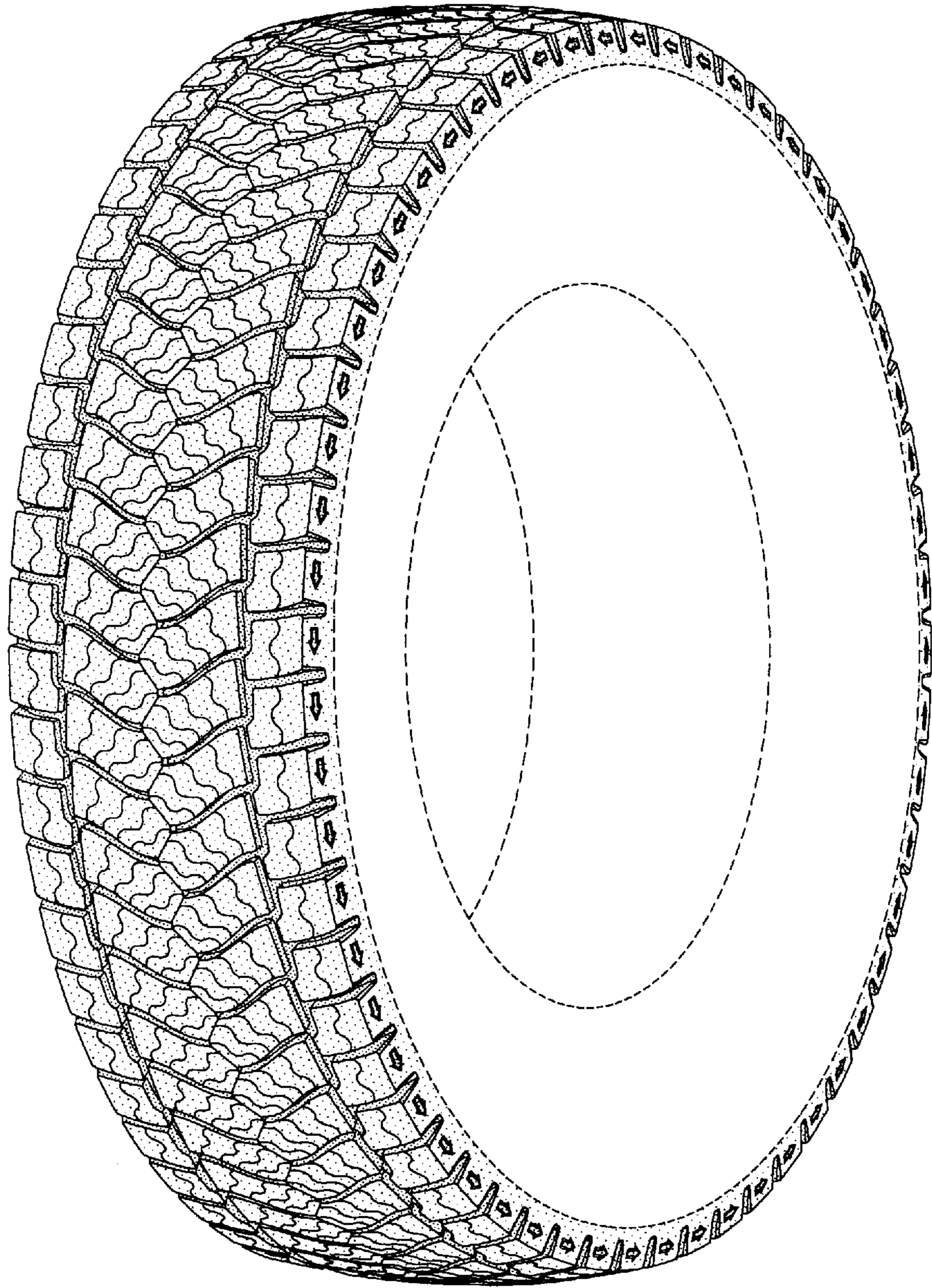


FIG-1

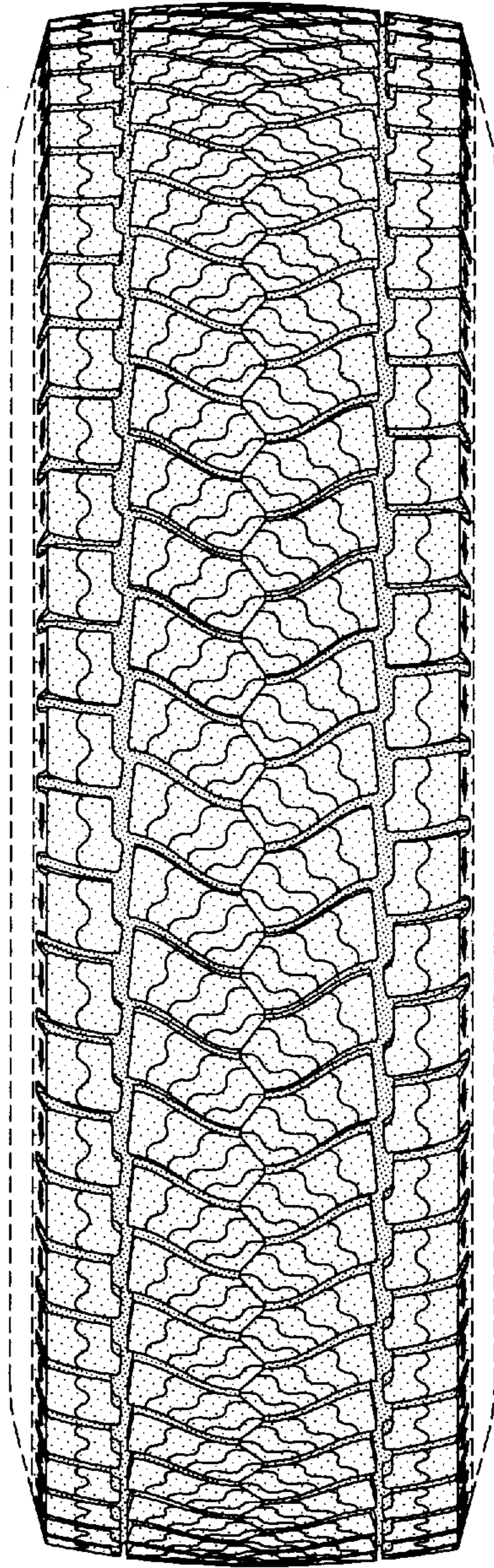


FIG-2

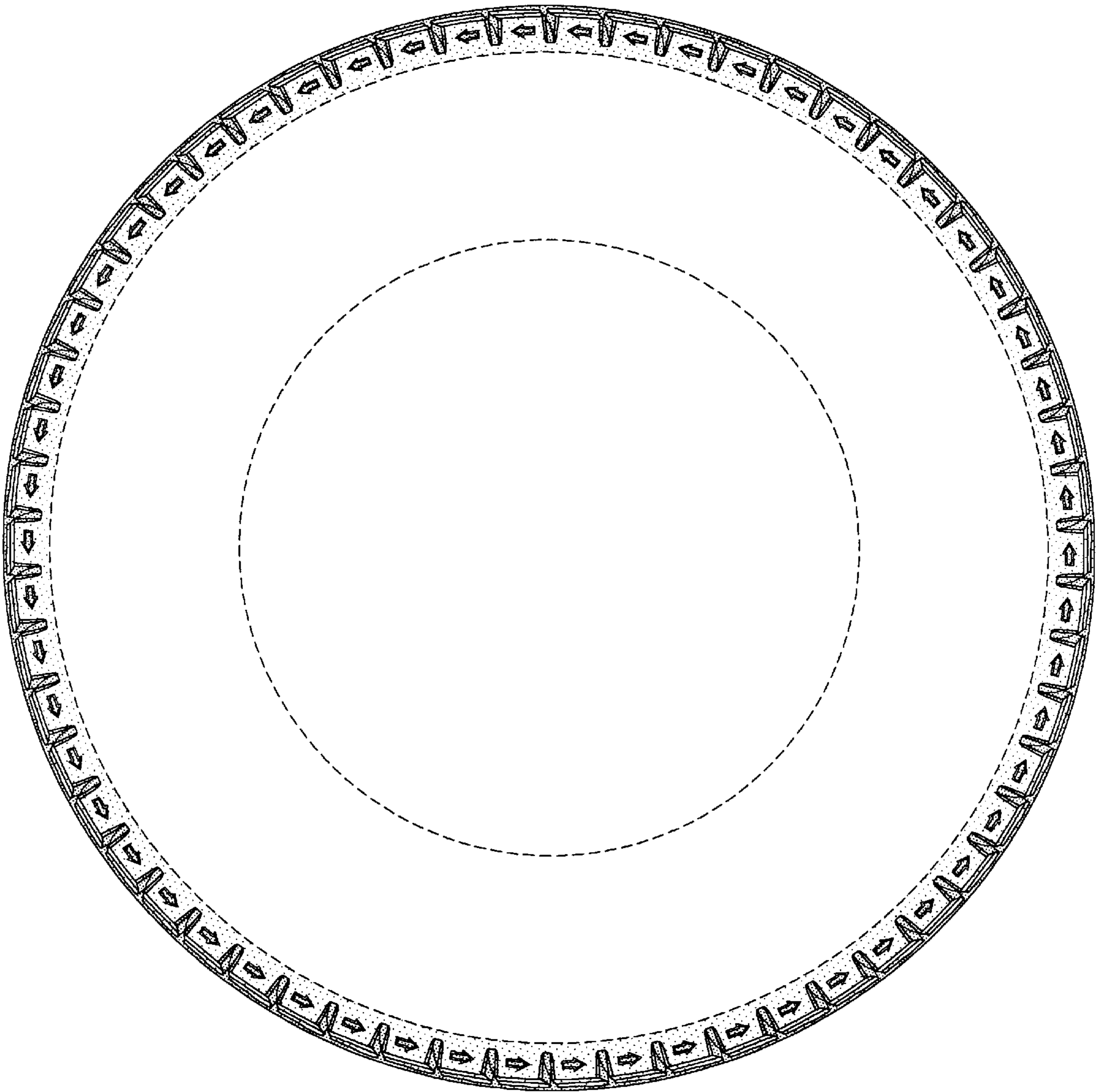


FIG-3

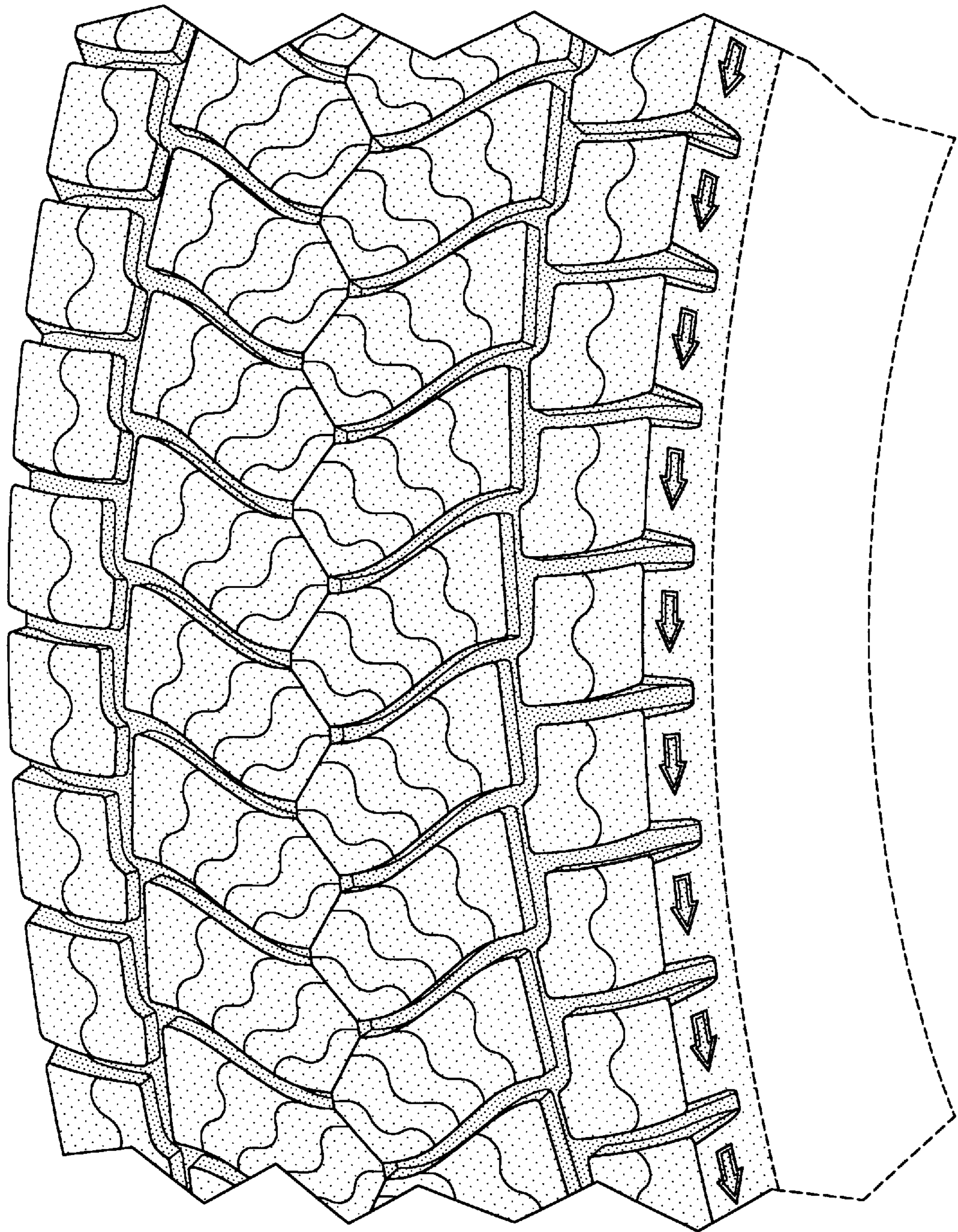


FIG-4