



US00D398887S

United States Patent [19]

[11] **Patent Number: Des. 398,887**

Brown et al.

[45] **Date of Patent: **Sep. 29, 1998**

[54] **TIRE TREAD**

[75] Inventors: **Stephanie Carol Brown; Billy Joe Ratliff, Jr.**, both of Akron; **Michael Alois Kolowski**, Mogadore, all of Ohio

[73] Assignee: **The Goodyear Tire & Rubber Company**, Akron, Ohio

[**] Term: **14 Years**

[21] Appl. No.: **73,087**

[22] Filed: **Jul. 2, 1997**

[51] **LOC (6) Cl.** **12-15**

[52] **U.S. Cl.** **D12/146**

[58] **Field of Search** D12/134, 136, D12/138, 140-151; 152/209 R, 209 A, 209 D

[56] **References Cited**

U.S. PATENT DOCUMENTS

D. 294,926	3/1988	Nishio et al.	D12/147
D. 296,315	6/1988	Hayakawa et al.	D12/142
D. 301,023	5/1989	Grohman et al.	D12/147
D. 345,952	4/1994	Christenbury	D12/147
D. 350,507	9/1994	Helluin	D12/141
D. 365,791	1/1996	Brown et al.	D12/146
D. 367,445	2/1996	Attinello et al.	D12/141
D. 367,451	2/1996	Scarpitti et al.	D12/147
D. 380,717	7/1997	Rohweder et al.	D12/148

D. 381,302	7/1997	Rohweder	D12/141
D. 385,522	10/1997	Ratliff, Jr.	D12/147
5,415,215	5/1995	Covert et al.	152/209 A
5,658,404	8/1997	Brown et al.	152/209 R

FOREIGN PATENT DOCUMENTS

94-1986 3/1995 Sweden .

OTHER PUBLICATIONS

Co-Pending Design Application, DN1997104, Filed Jul. 2, 1997.

Primary Examiner—Robert M. Spear
Attorney, Agent, or Firm—T. P. Lewandowski

[57] **CLAIM**

The ornamental design for a tire tread, as shown and described.

DESCRIPTION

FIG. 1 is a perspective view of a tire tread, it being understood that the pattern repeats uniformly throughout the circumference of the tread;

FIG. 2 is a front elevational view thereof;

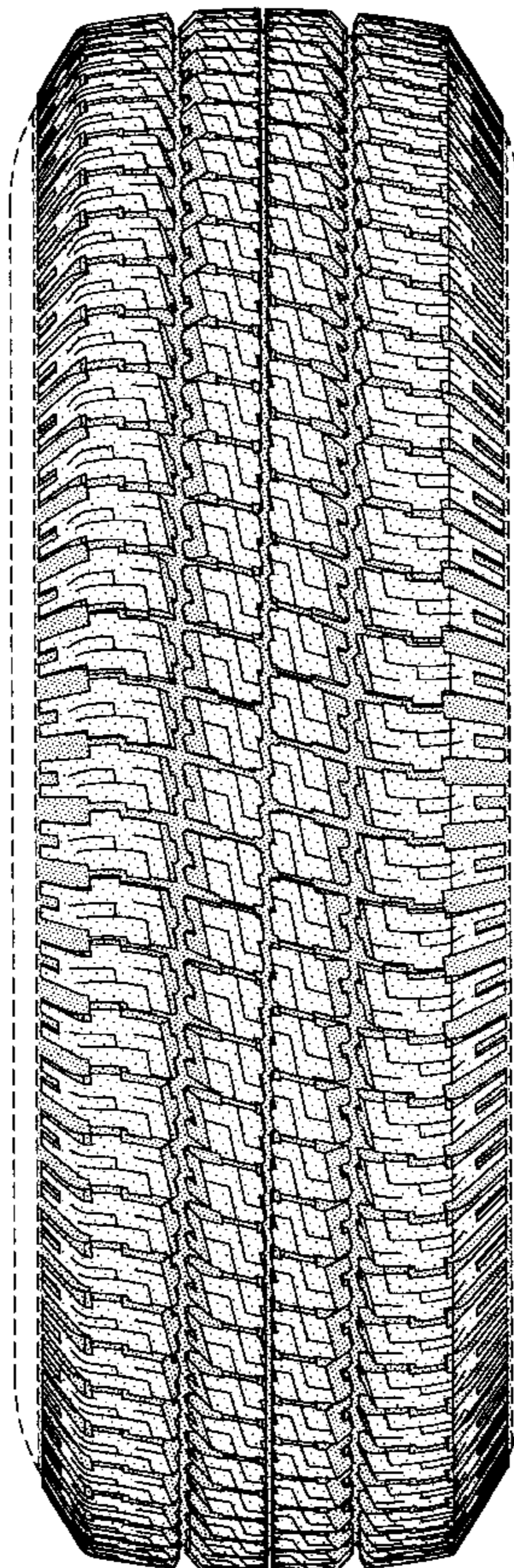
FIG. 3 is a right side elevational view thereof;

FIG. 4 is a left side elevational view thereof; and,

FIG. 5 is an enlarged fragmentary front perspective view thereof.

In the drawings, the broken lines defining the inner bead of the sidewall and the peripheral boundary between the tire tread and the sidewall are for illustrative purposes only and form no part of the claimed design.

1 Claim, 5 Drawing Sheets



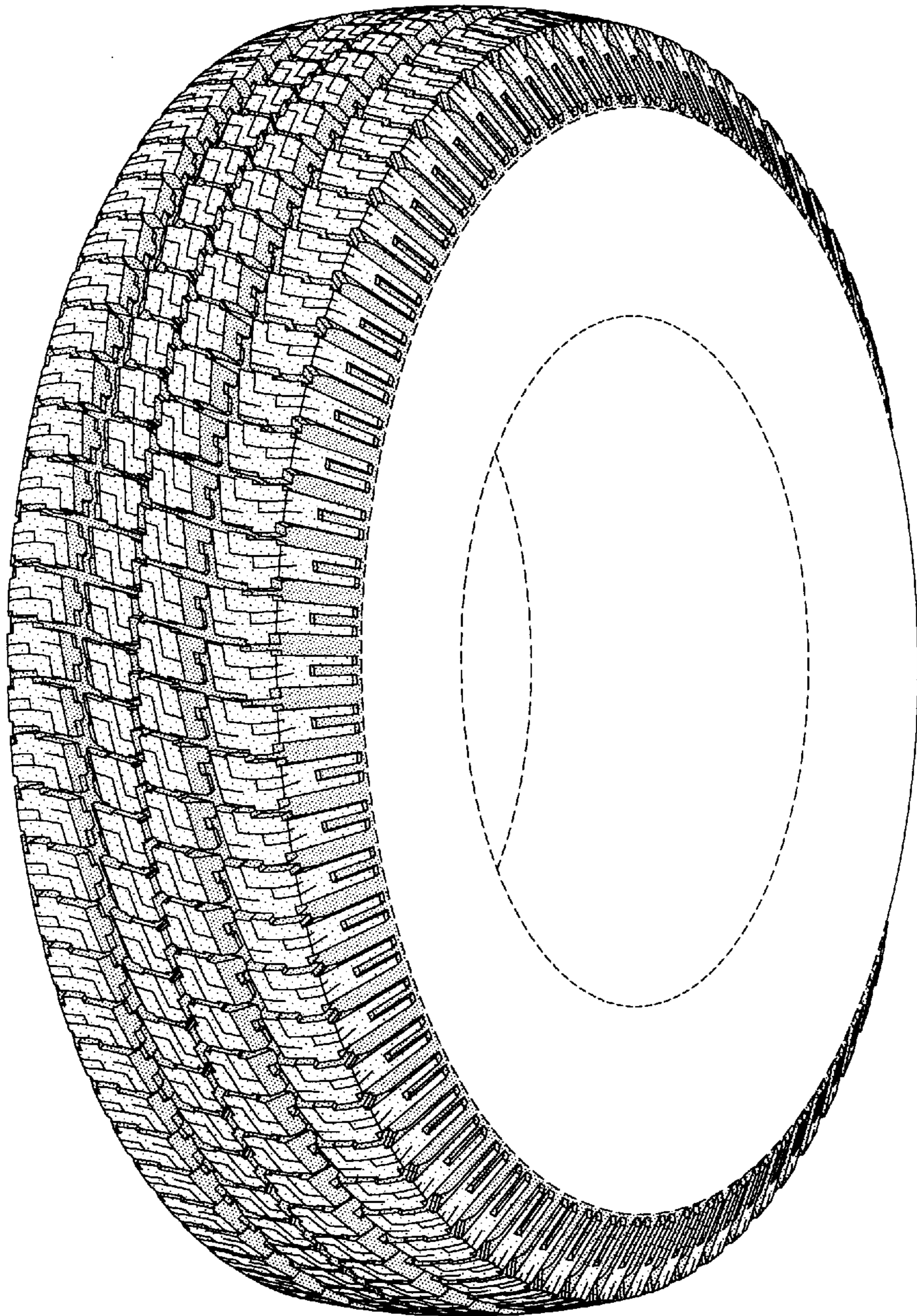


FIG-1

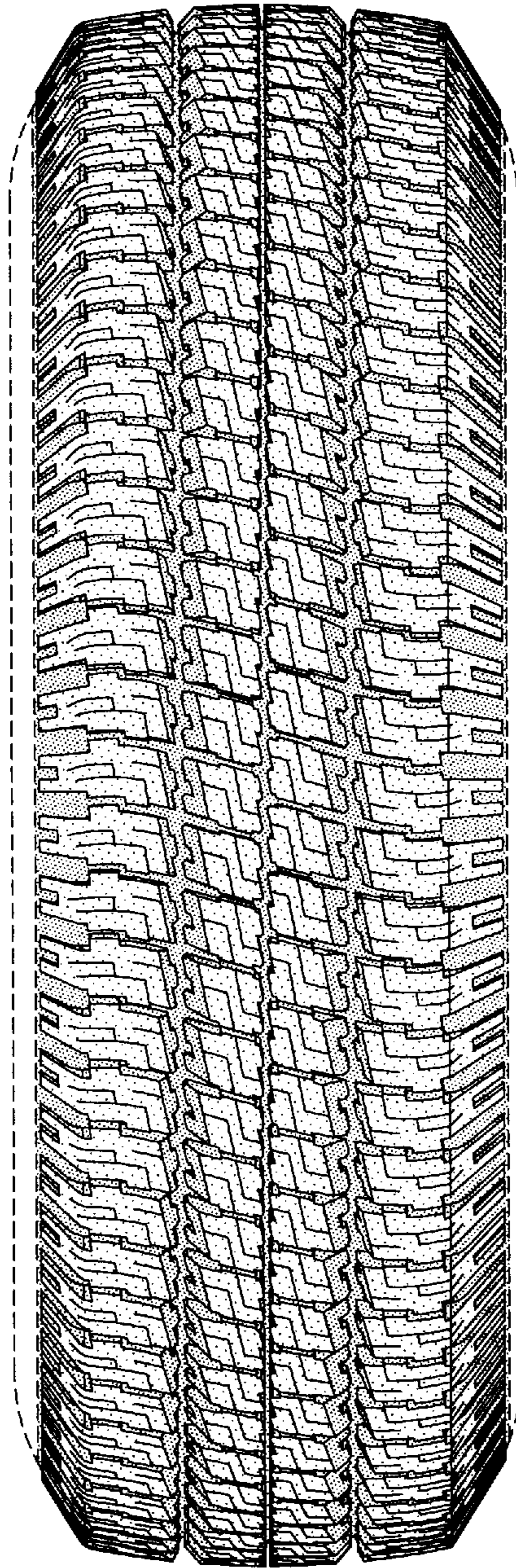


FIG-2

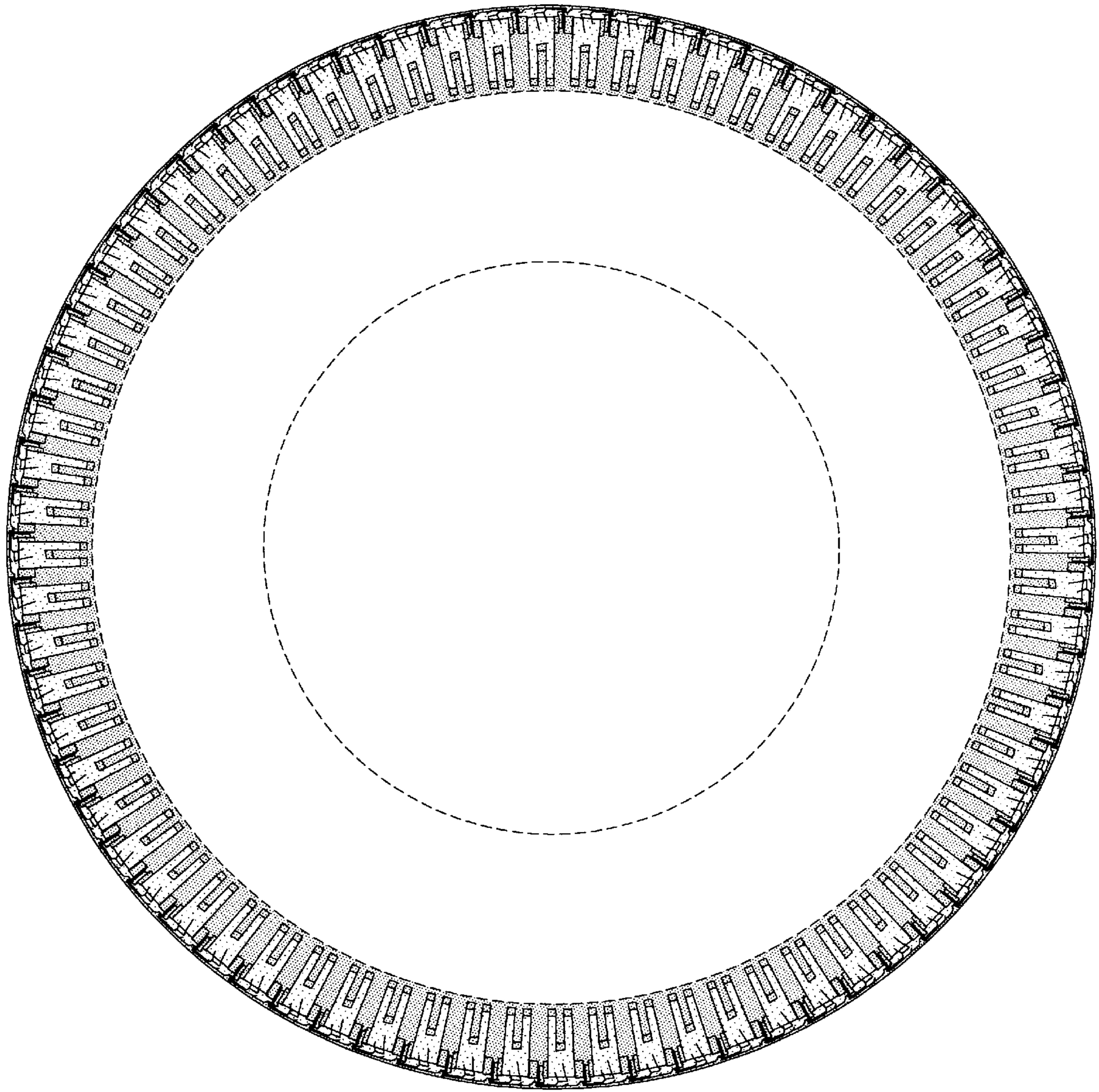


FIG-3

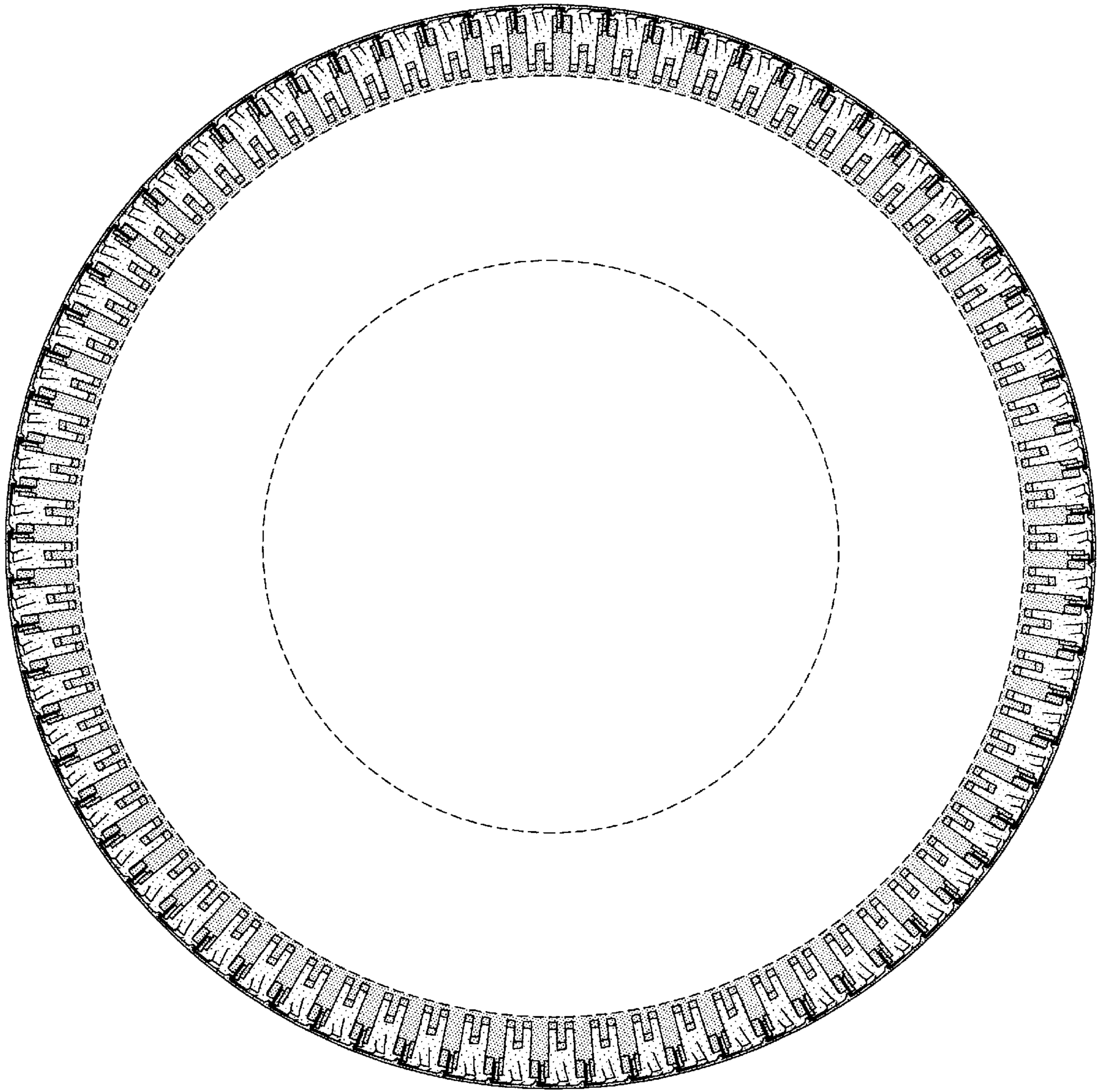


FIG-4

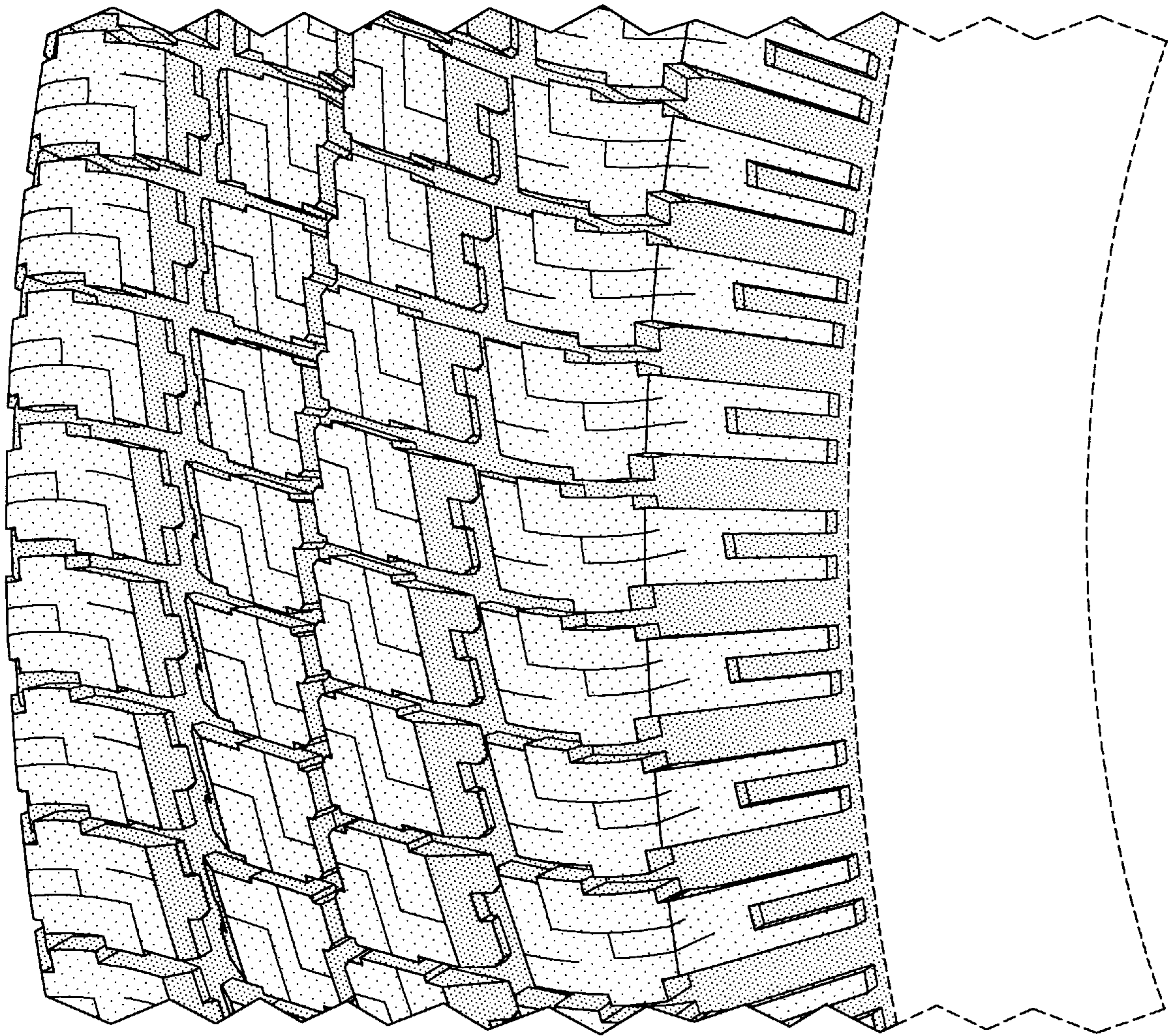


FIG-5