



US00D398880S

# United States Patent [19]

**Insalaco**

[11] **Patent Number: Des. 398,880**

[45] **Date of Patent: \*\*Sep. 29, 1998**

[54] **TIE PIN**

[76] **Inventor: Joseph Insalaco, 6927 Witmer Rd. #4, North Tonawanda, N.Y. 14120**

[\*\*] **Term: 14 Years**

[21] **Appl. No.: 70,058**

[22] **Filed: Apr. 25, 1997**

[51] **LOC (6) Cl. .... 02-07**

[52] **U.S. Cl. .... D11/202; D11/206**

[58] **Field of Search ..... D11/200, 202, D11/206; 24/66.6; D2/639**

[56] **References Cited**

**U.S. PATENT DOCUMENTS**

D. 32,206	2/1900	Hunt	.....	D11/206
D. 116,713	9/1939	Lake	.....	D11/206
D. 305,413	1/1990	Martinus	.....	D11/202
1,856,909	5/1932	David	.....	D11/206
2,065,831	12/1936	Smith	.....	D2/639
2,873,500	2/1959	Glover	.....	D11/206
3,494,003	2/1970	Bower, Jr.	.....	D11/202
3,968,544	7/1976	Sinclair	.....	

5,097,569 3/1992 Erickson .

*Primary Examiner*—Ralf Seifert  
*Attorney, Agent, or Firm*—John C. Thompson

[57] **CLAIM**

The ornamental design for a tie pin, as shown.

**DESCRIPTION**

FIG. 1 is a front elevational view of a tie pin showing my new design, the tie pin being shown in an open position; FIG. 2 is a view similar to FIG. 1, but showing the tie pin in a closed position; FIGS. 3 and 4 are respectively left and right side elevational views thereof with the tie pin being shown in its closed position; FIG. 5 is a rear elevational view of the tie pin shown in FIG. 2; FIGS. 6 and 7 are respectively bottom and top views of the tie pin shown in FIG. 2; and, FIG. 8 is a perspective view thereof. The broken line showing of a tie bar and chain, in FIGS. 1-8, is for illustrative purposes only and forms no part of the claimed design.

**1 Claim, 2 Drawing Sheets**

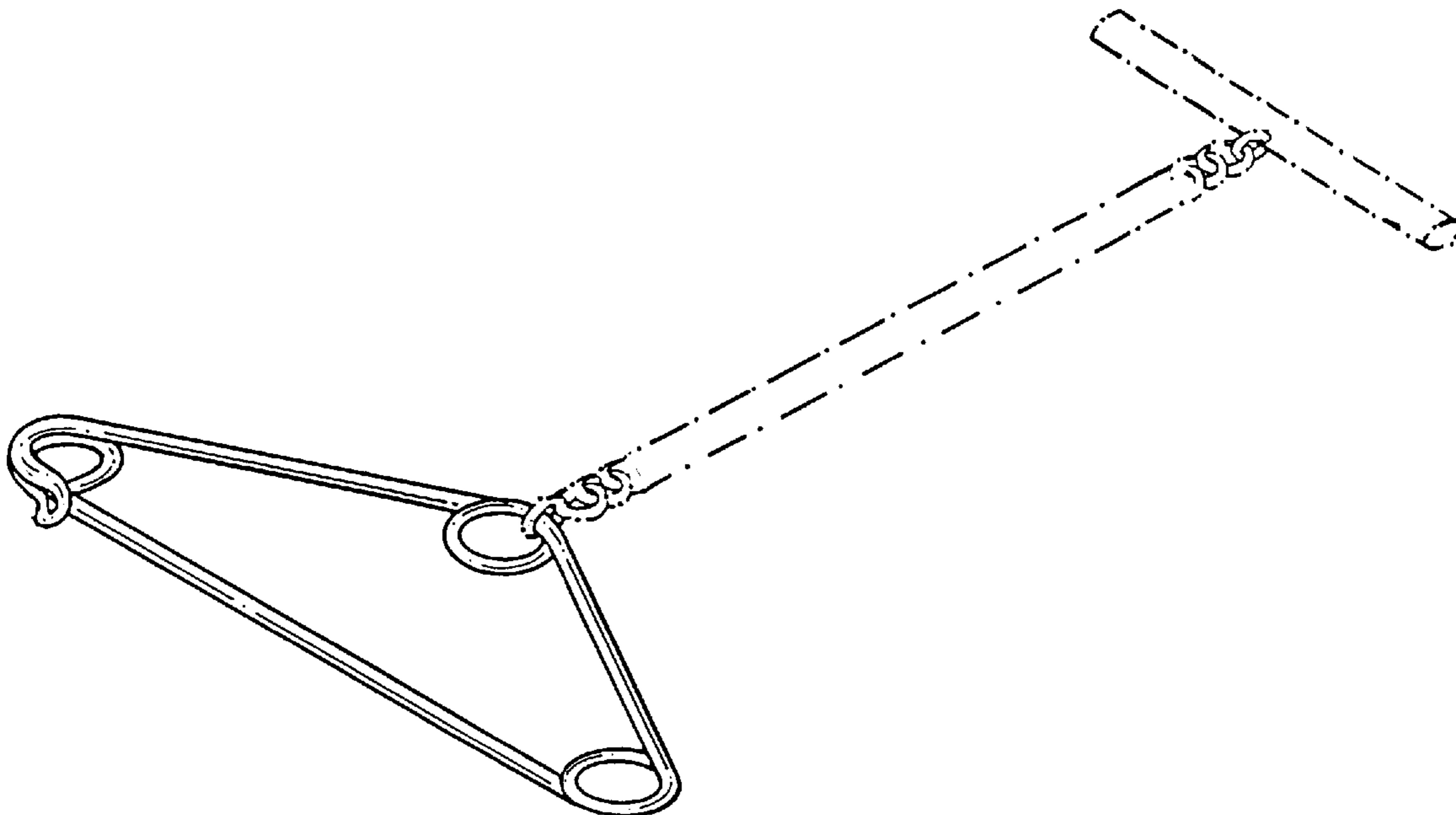


FIG. 1

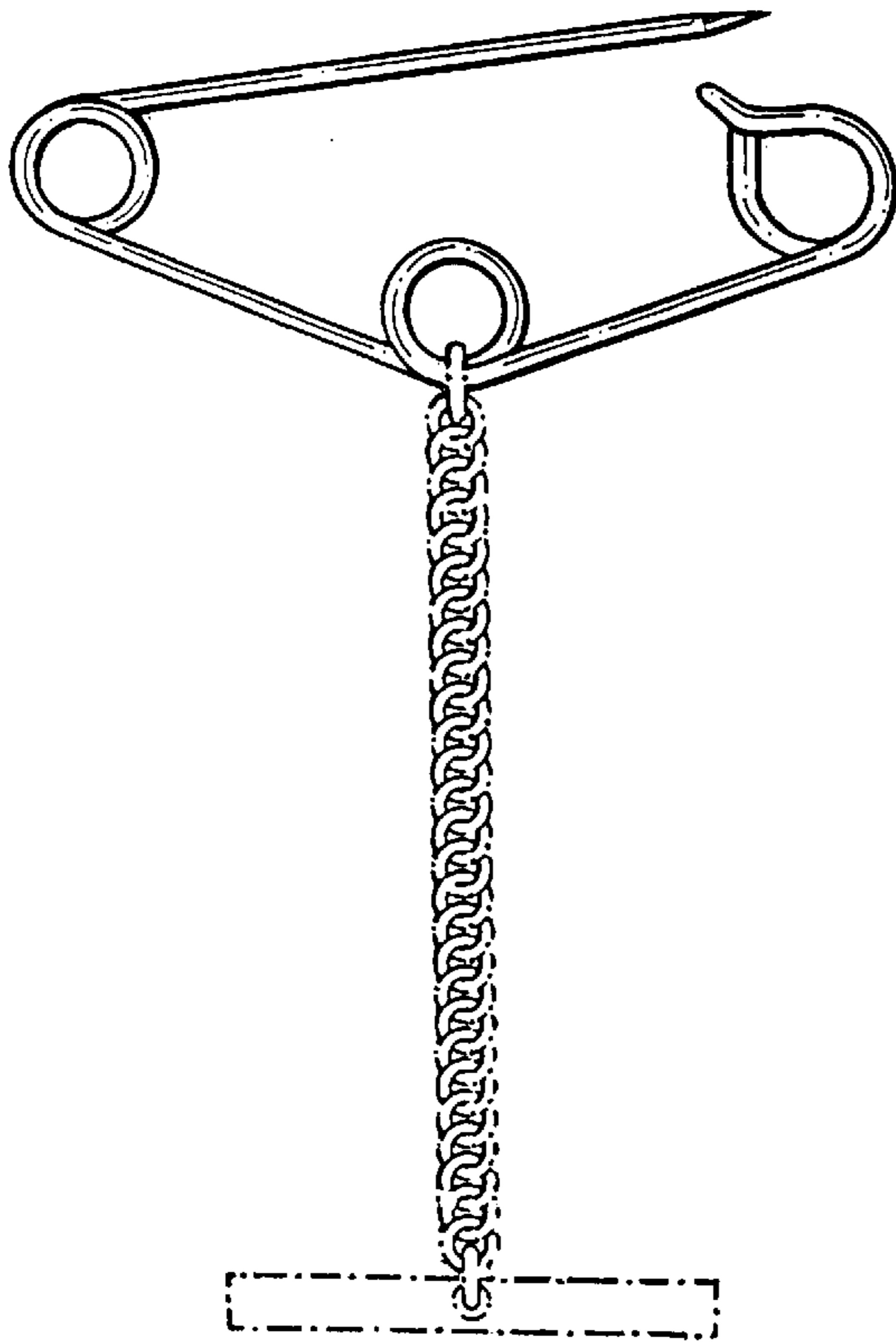


FIG. 2

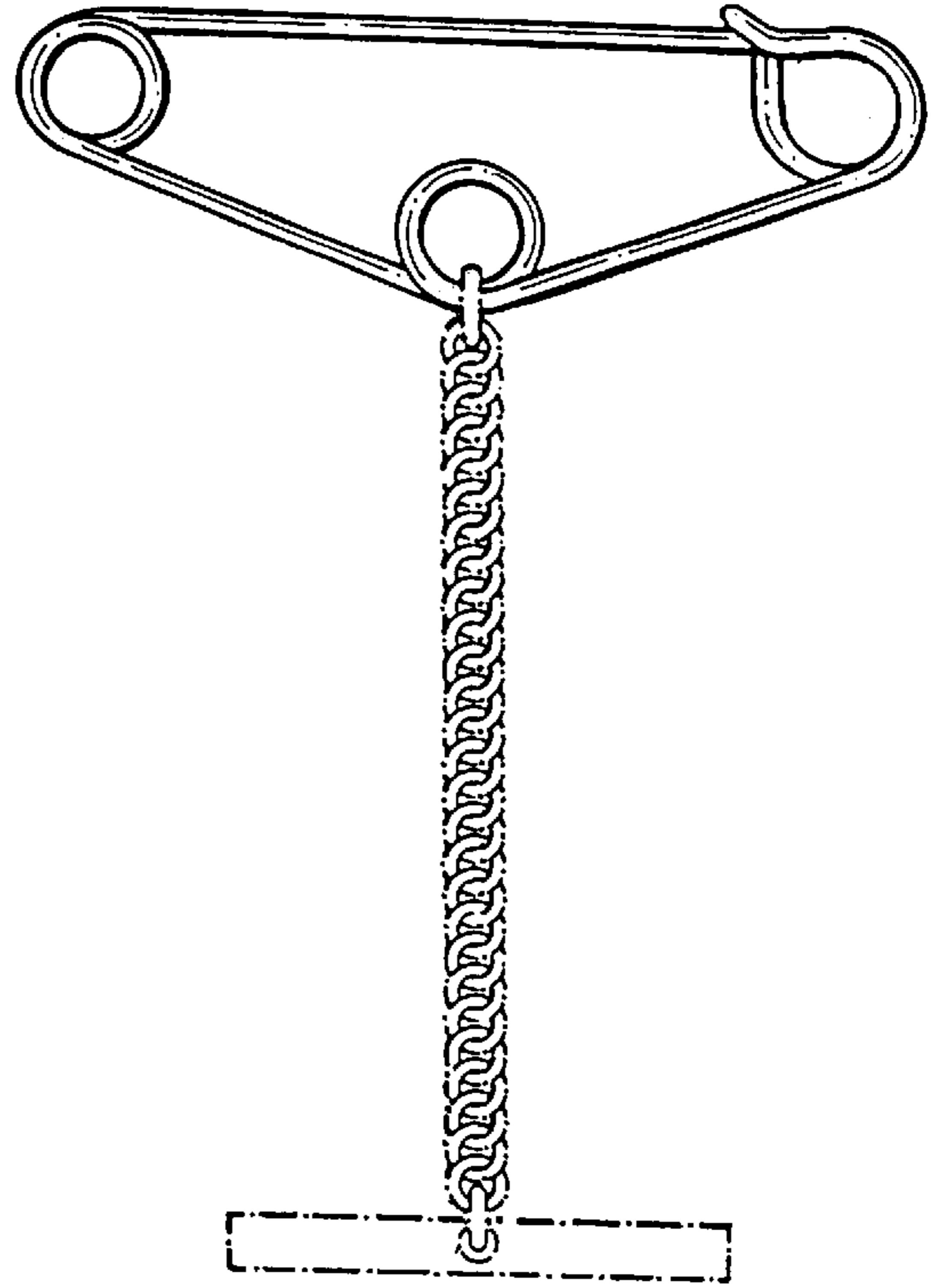


FIG. 3



FIG. 4

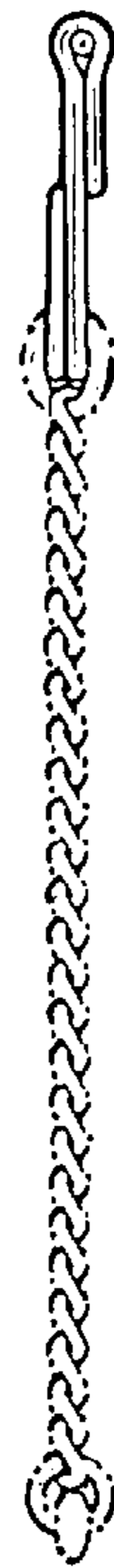


FIG. 5

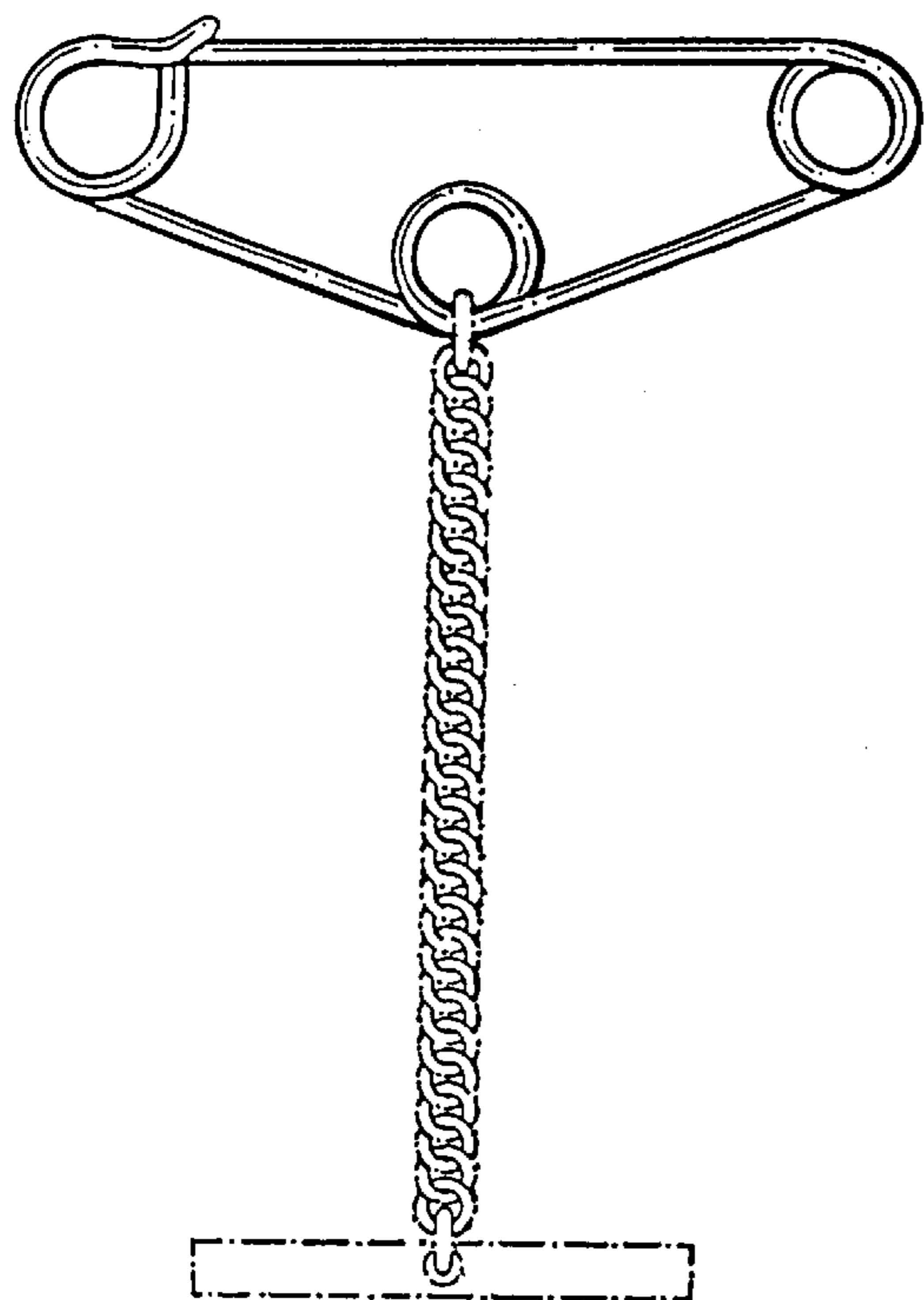


FIG. 6



FIG. 7



FIG. 8

