



US00D398873S

United States Patent [19] Nghe

[11] **Patent Number: Des. 398,873**

[45] **Date of Patent: **Sep. 29, 1998**

[54] **AIR PROPELLED ROTATION REFLECTOR**

[76] Inventor: **Tien Hung Nghe**, 39 Convent Rd.,
Nanuet, N.Y. 10954

[**] Term: **14 Years**

[21] Appl. No.: **79,426**

[22] Filed: **Nov. 17, 1997**

[51] **LOC (6) Cl. 10-05**

[52] **U.S. Cl. D10/109**

[58] **Field of Search** D10/104, 109,
D10/110, 111, 114, 115; D11/165, 166;
116/63 C, 63 P, 173, 174, 175, 28 R, 29,
30

[56] **References Cited**

U.S. PATENT DOCUMENTS

- D. 279,460 7/1985 Souza D10/109
- D. 279,770 7/1985 Parker D10/109

- D. 362,199 9/1995 Evans D10/109
- 2,160,426 5/1939 Archer D10/109
- 2,521,496 9/1950 Workun D10/109
- 2,781,017 12/1957 Fuller et al. D10/109

Primary Examiner—Marcus A. Jackson

[57] **CLAIM**

The ornamental design for an air propelled rotation reflector, as shown and described.

DESCRIPTION

FIG. 1 is a front elevational view of an air propelled rotation reflector showing my new design; FIG. 2 is a rear elevational view thereof; FIG. 3 is a right side view thereof; FIG. 4 is a left side view thereof; FIG. 5 is a top plan view thereof; and, FIG. 6 is a bottom plan view thereof.

1 Claim, 3 Drawing Sheets

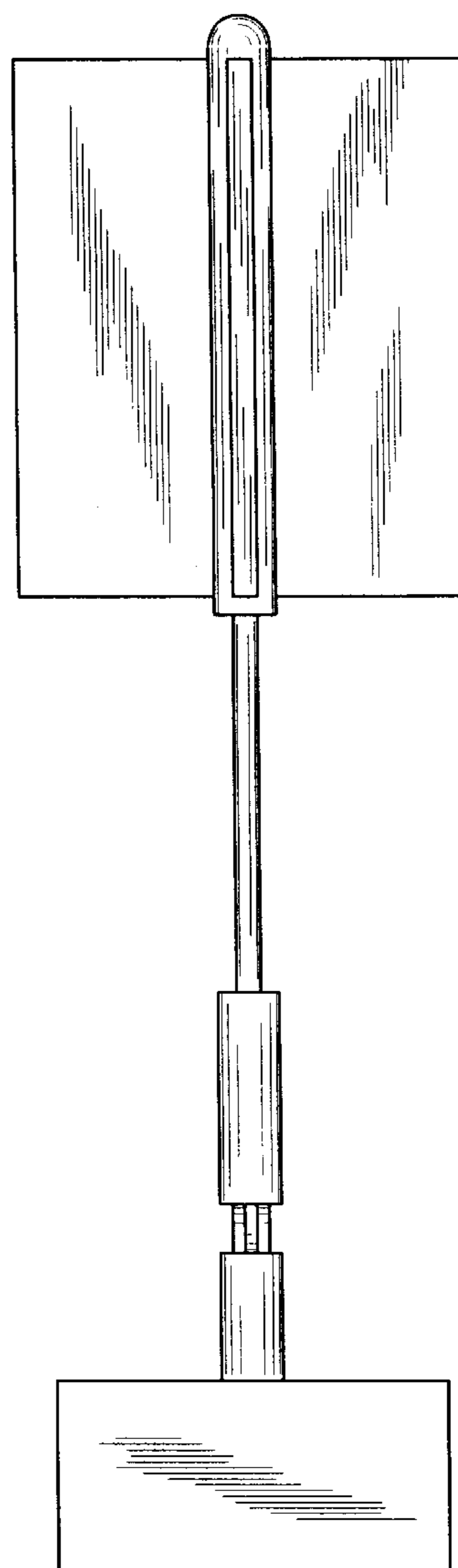
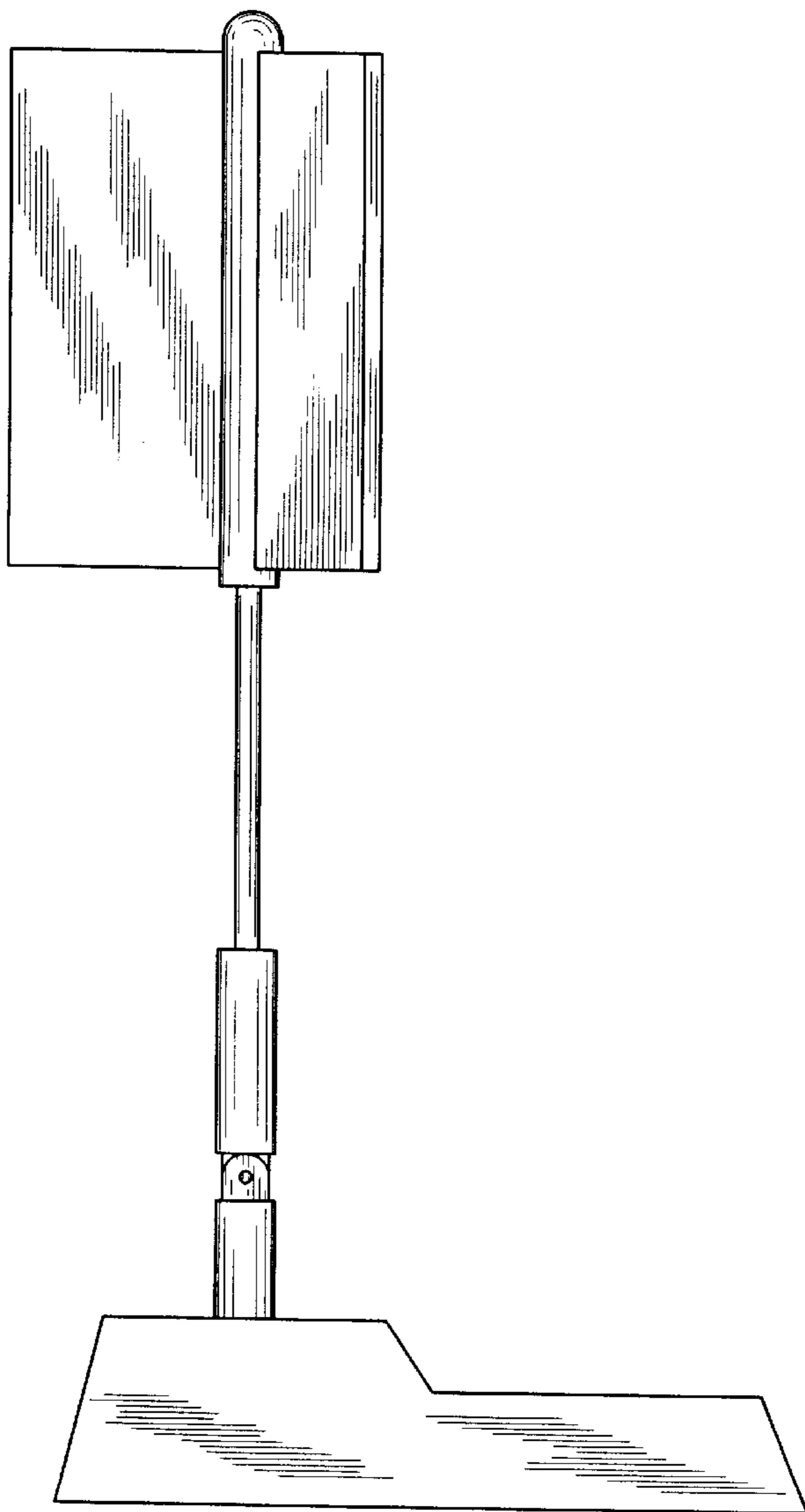


FIG. 1

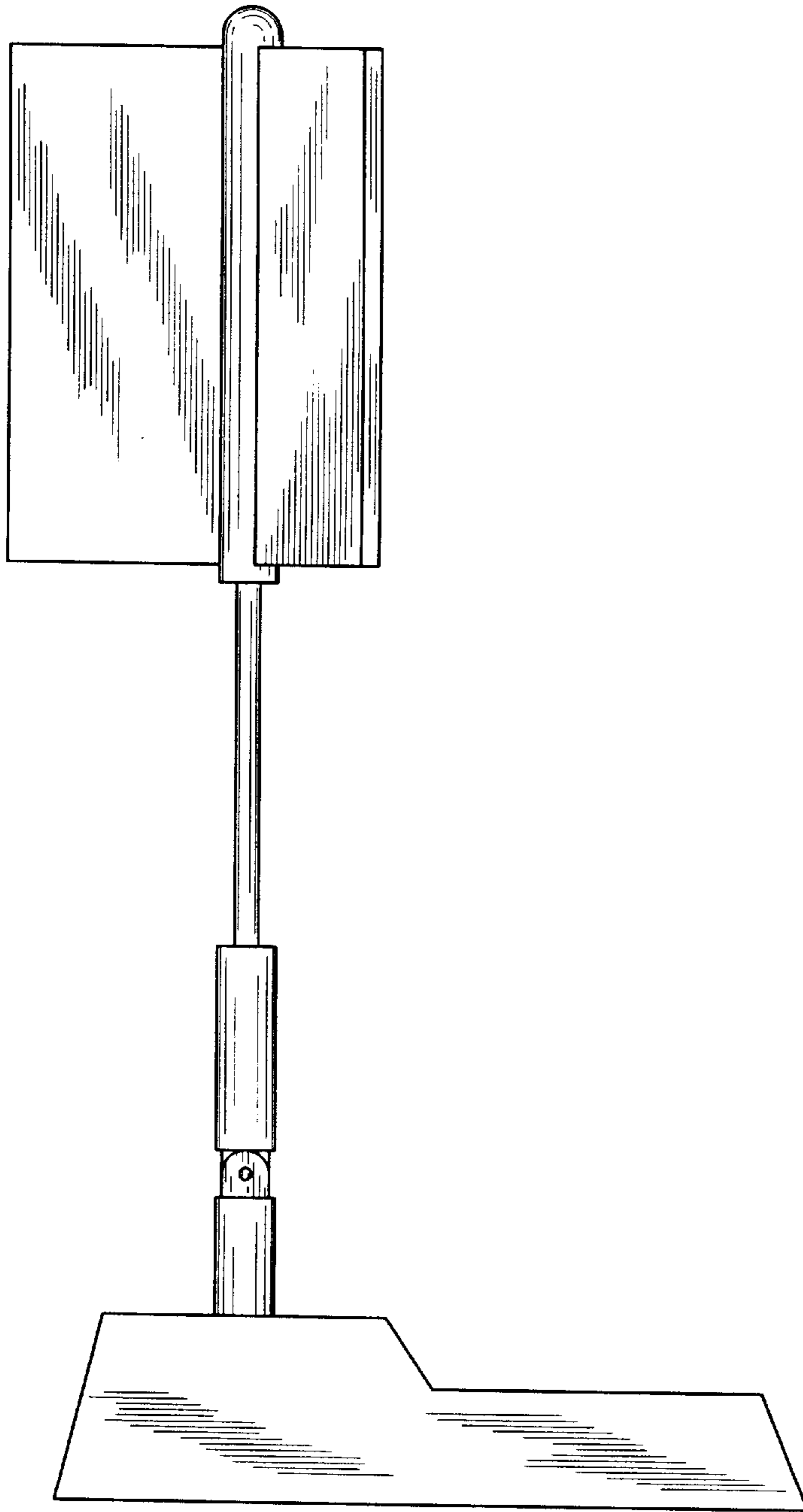


FIG. 2

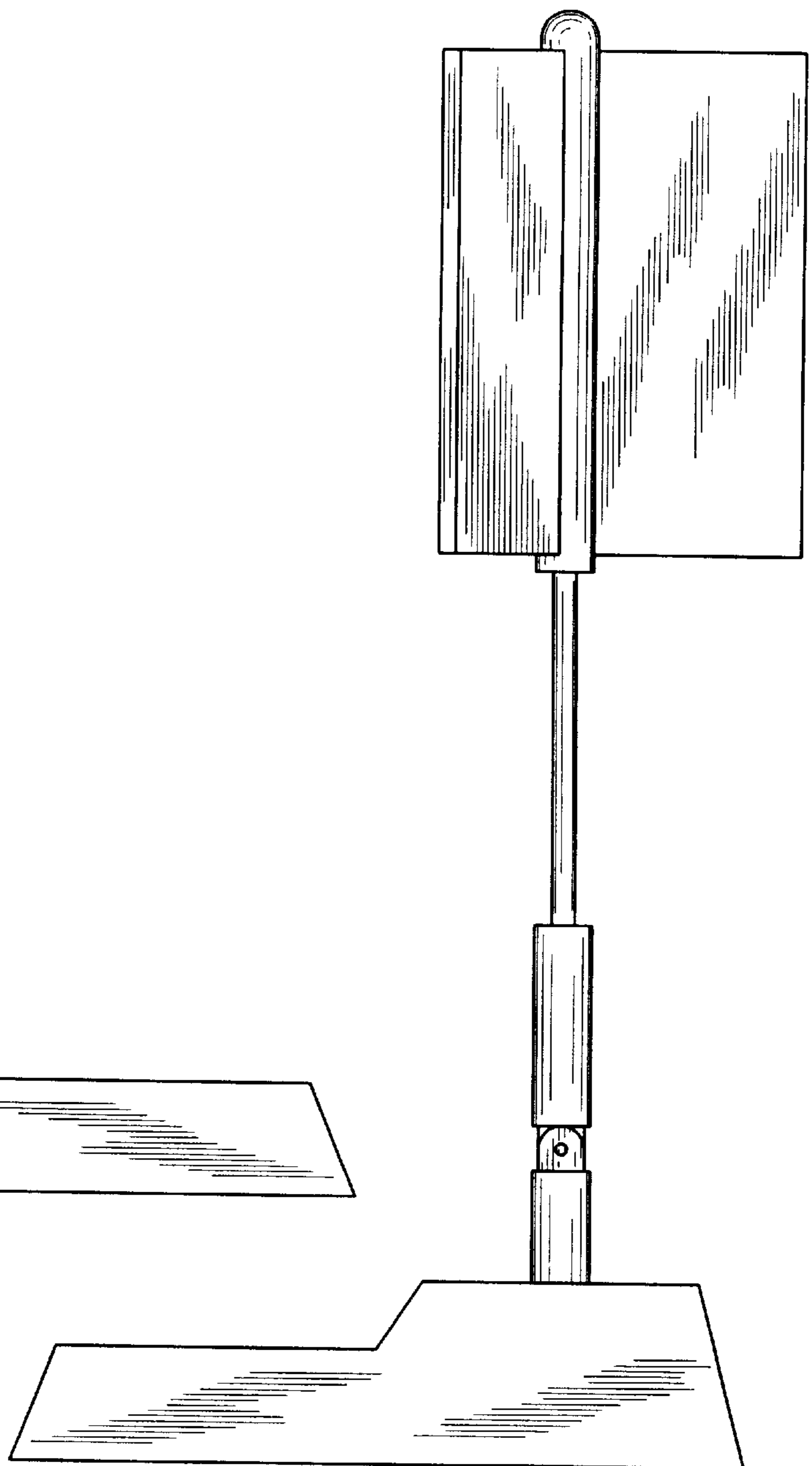


FIG. 3

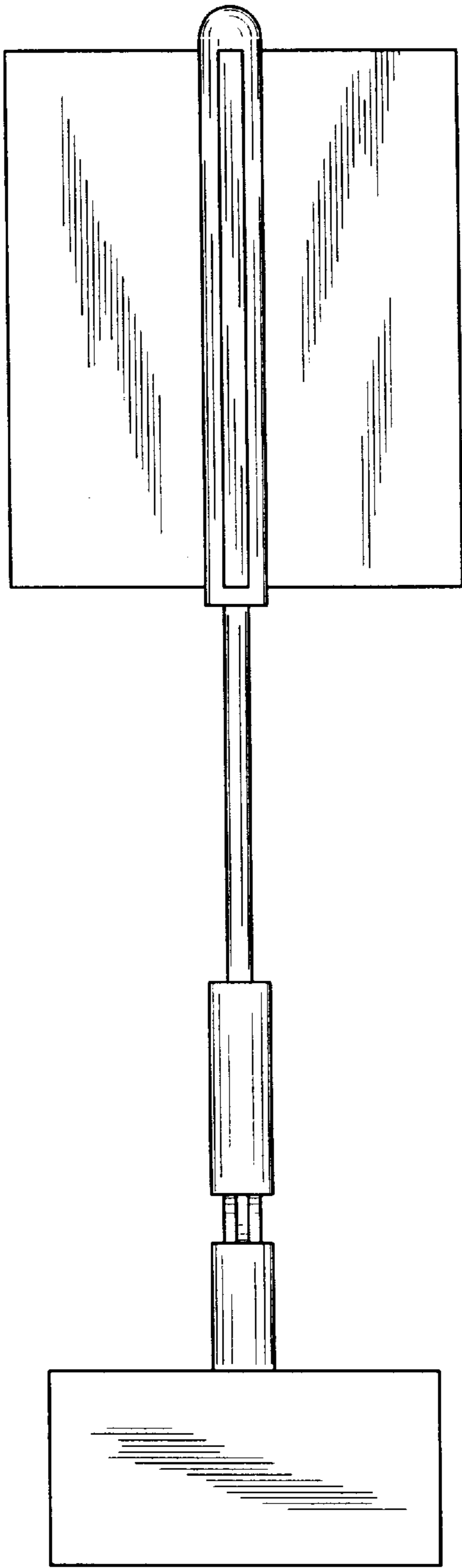


FIG. 4

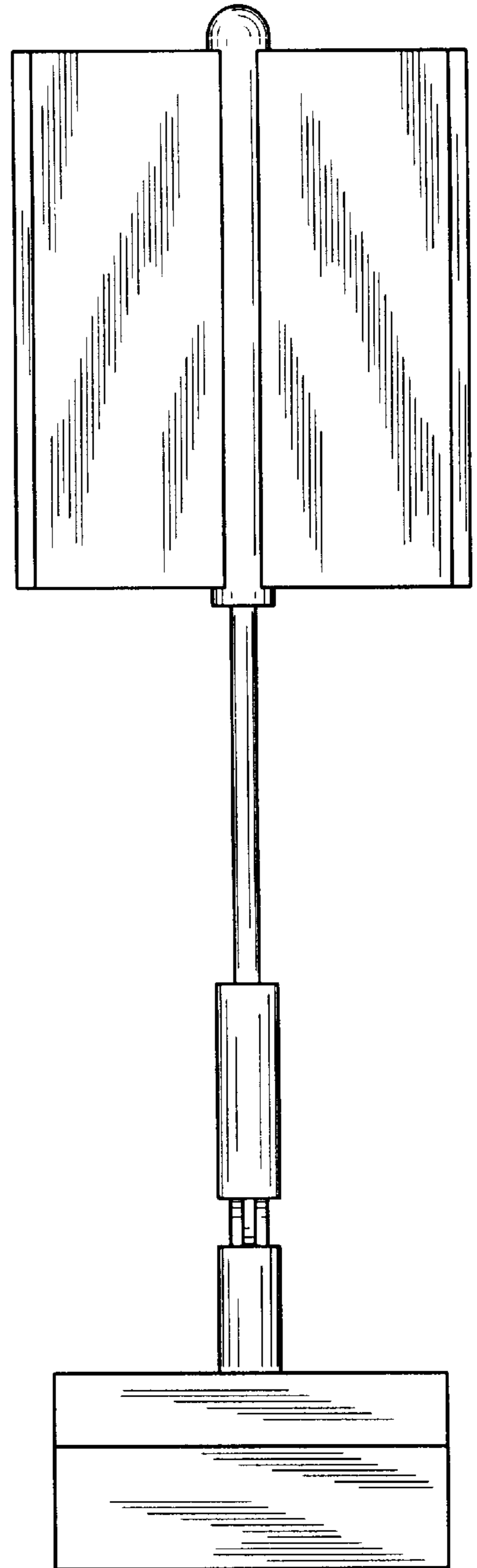


FIG. 5

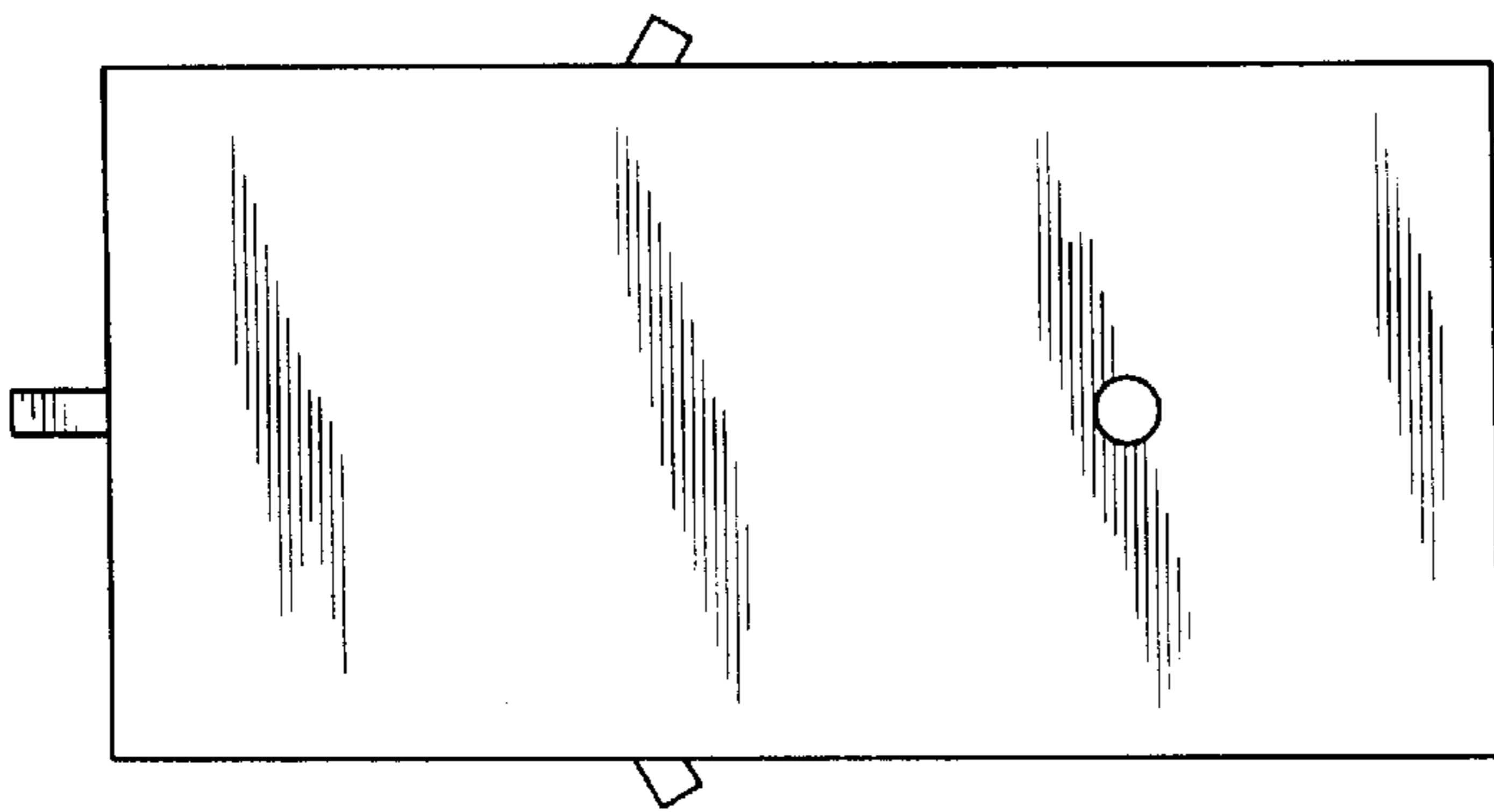


FIG. 6

