



US00D398872S

United States Patent [19]

Jan

[11] **Patent Number: Des. 398,872**

[45] **Date of Patent: **Sep. 29, 1998**

[54] **ULTRASONIC ANIMAL EXPELLING UNIT AND PASSIVE INFRARED RAYS DETECTOR**

Primary Examiner—Marcus A. Jackson
Attorney, Agent, or Firm—W. Wayne Liauh

[76] Inventor: **Te-Chin Jan**, 24F-1, No. 161, Sung-Teh Rd., Taipei, Taiwan

[57] **CLAIM**

[**] Term: **14 Years**

The ornamental design for a ultrasonic animal expelling unit and passive infrared rays detector, as shown and described.

[21] Appl. No.: **80,110**

DESCRIPTION

[22] Filed: **Sep. 12, 1997**

FIG. 1 is a perspective view of a “ultrasonic animal expelling unit and passive infrared rays detector” showing my design;

[51] **LOC (6) Cl.** **10-05**

[52] **U.S. Cl.** **D10/106**

FIG. 2 is a front elevational view thereof;

[58] **Field of Search** D10/104, 106, D10/116, 121; 340/521, 540, 541, 542, 543, 544, 545, 555, 565, 600, 693

FIG. 3 is a rear elevational view thereof;

FIG. 4 is a left side elevational view thereof;

FIG. 5 is a right side elevational view thereof;

FIG. 6 is a top plan view thereof;

FIG. 7 is a bottom plan view thereof; and,

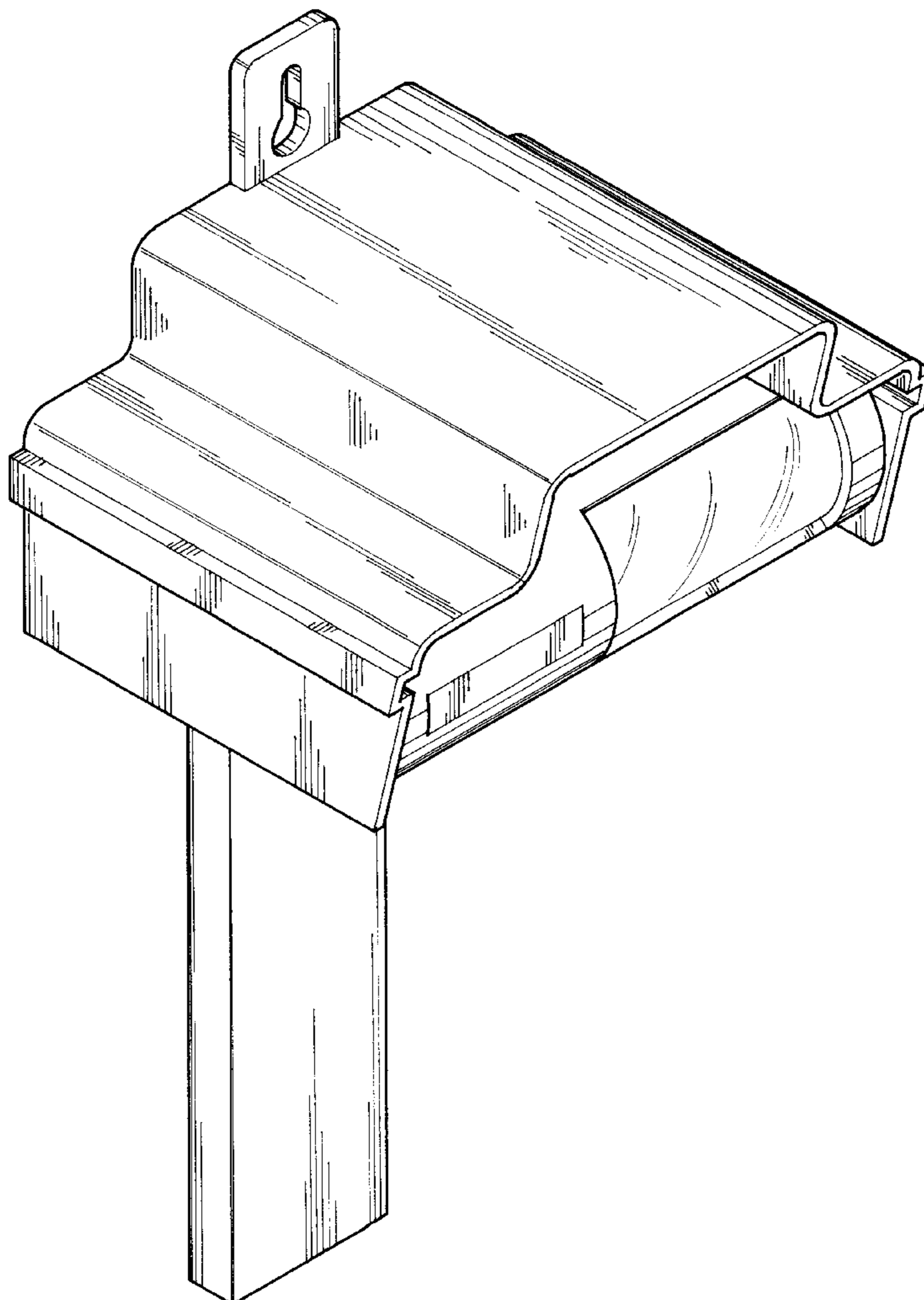
FIG. 8 is an exploded view of the “ultrasonic animal expelling unit and passive infrared rays detector”, showing the infrared rays detector is separated from the supporting frame thereof.

[56] **References Cited**

U.S. PATENT DOCUMENTS

D. 346,567	5/1994	Rimon	D10/106
D. 354,925	1/1995	Eggers et al.	D10/106
D. 360,157	7/1995	Sandell et al.	D10/106
D. 368,436	4/1996	Stainger	D10/106
D. 376,117	12/1996	Kouens	D10/106

1 Claim, 7 Drawing Sheets



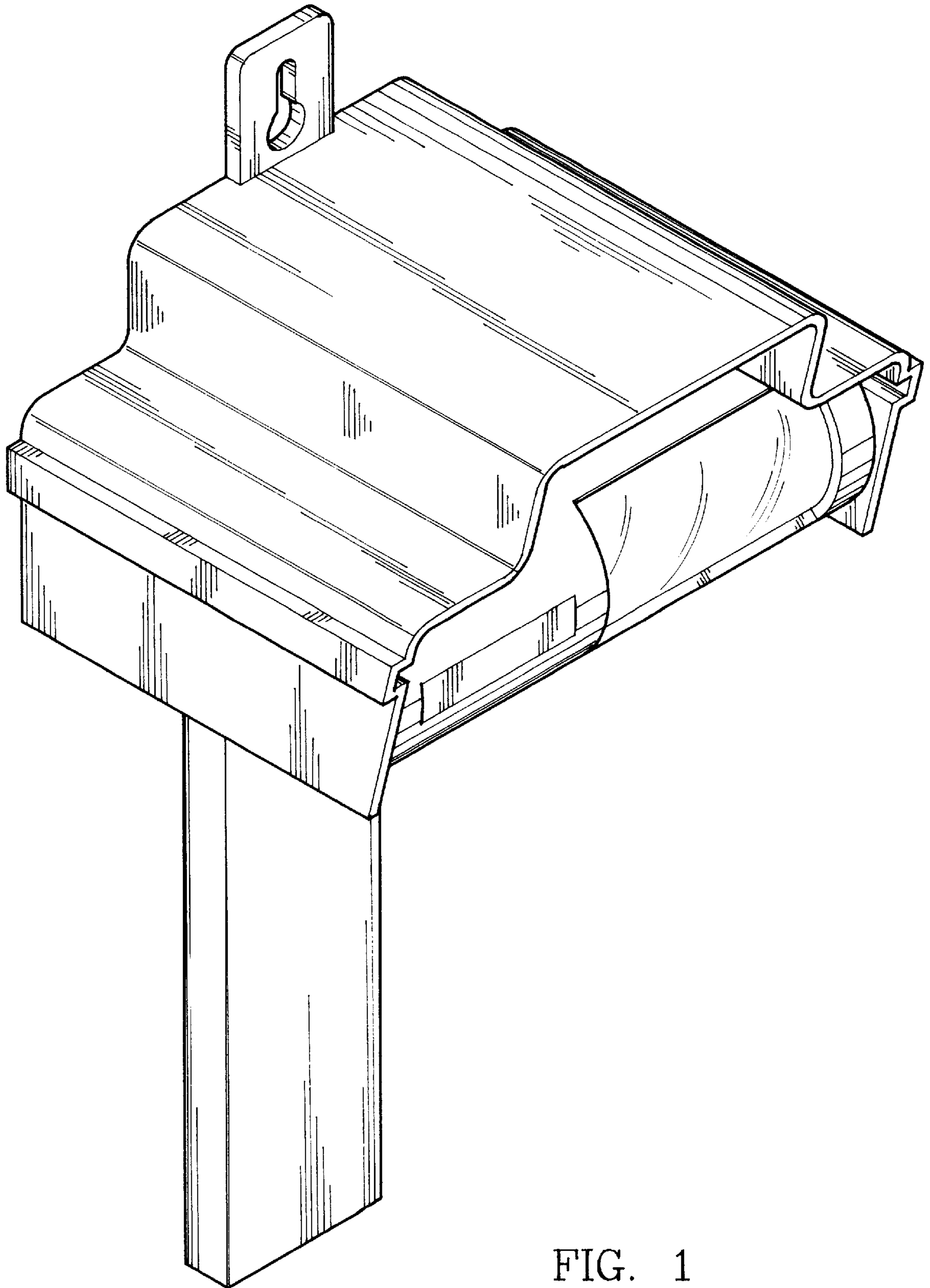


FIG. 1

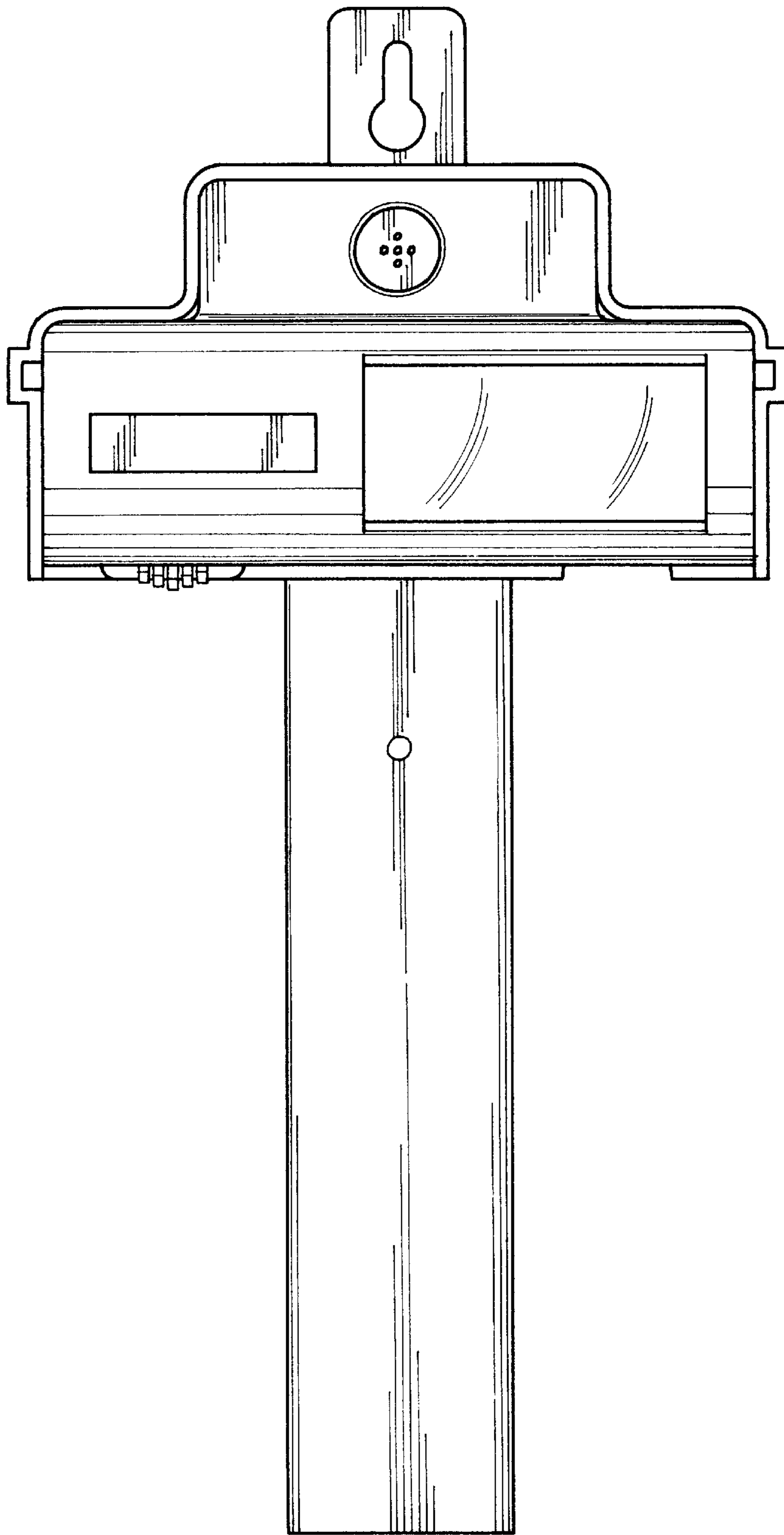


FIG. 2

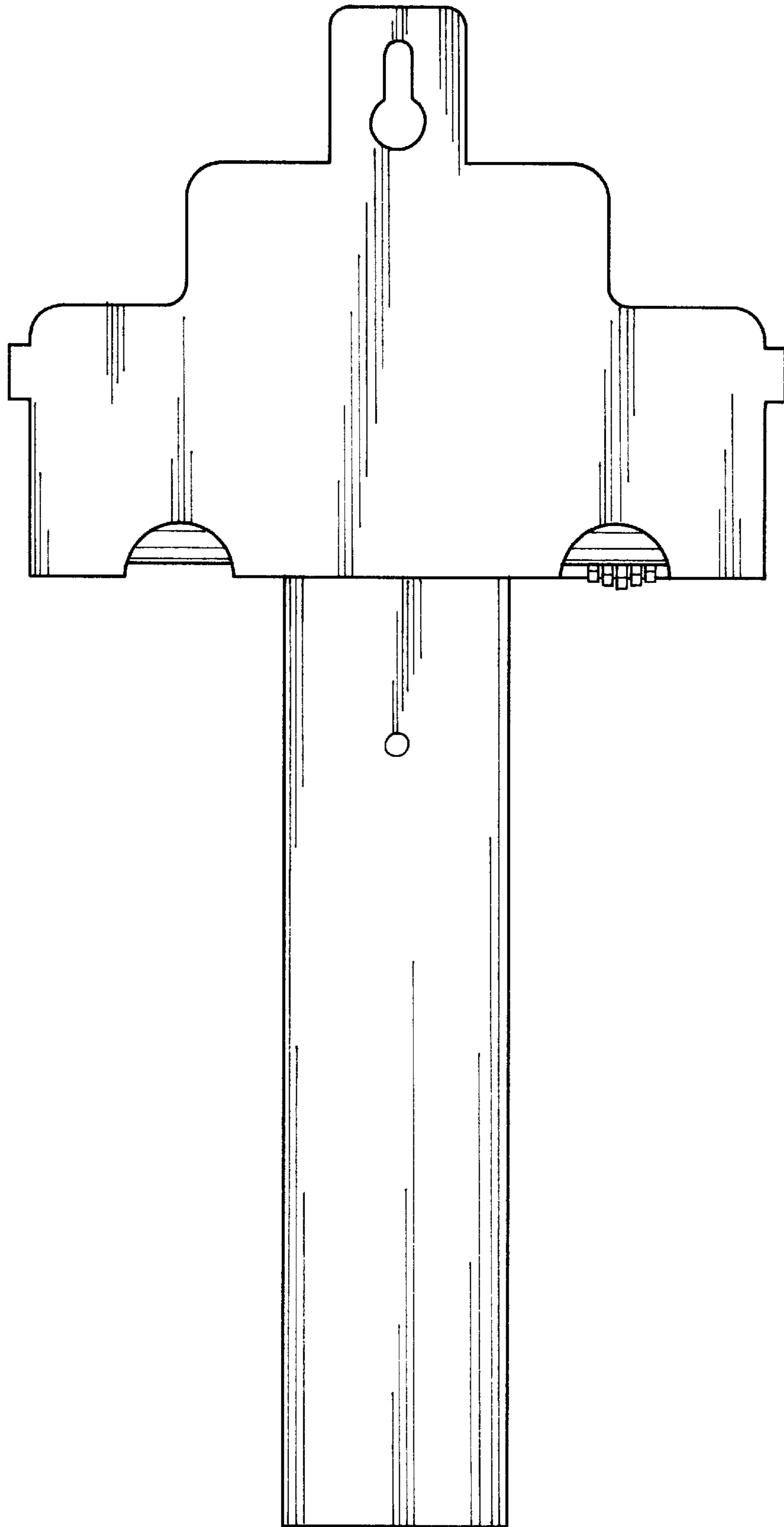


FIG. 3

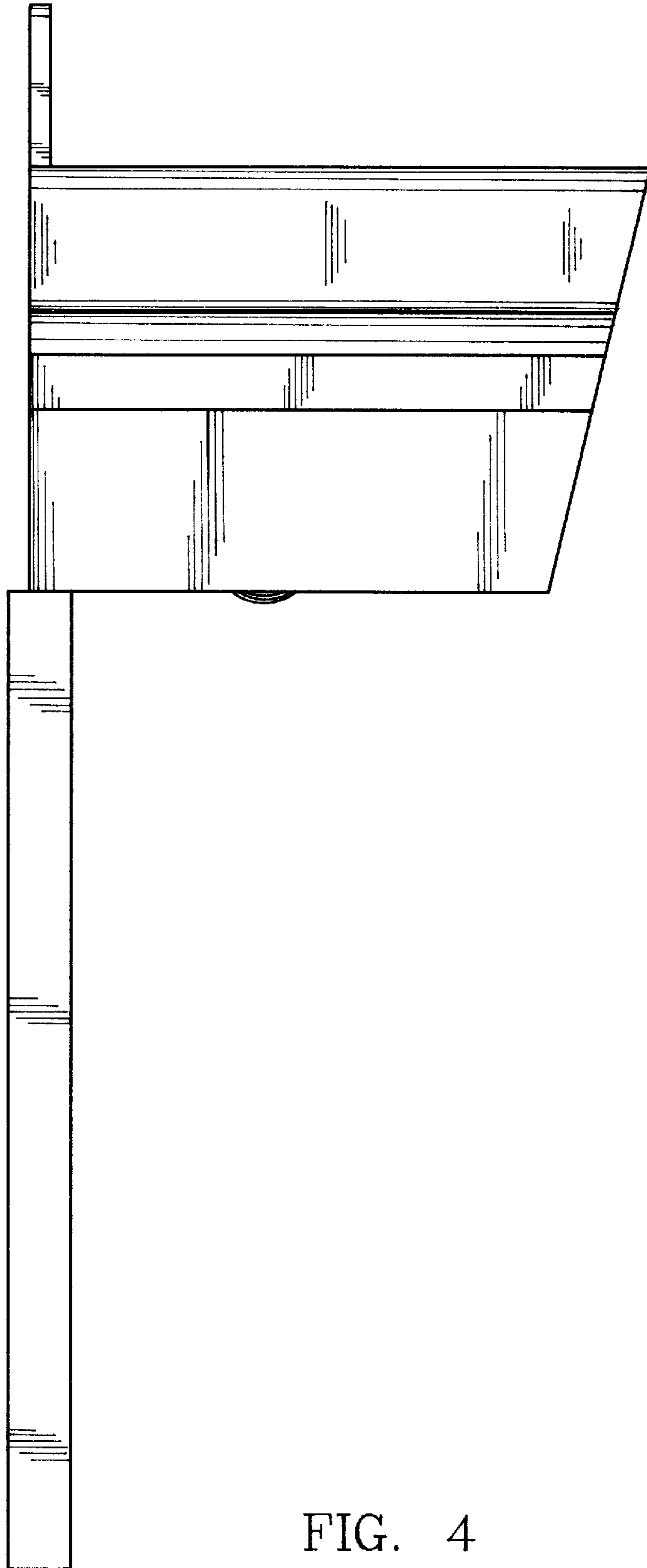


FIG. 4

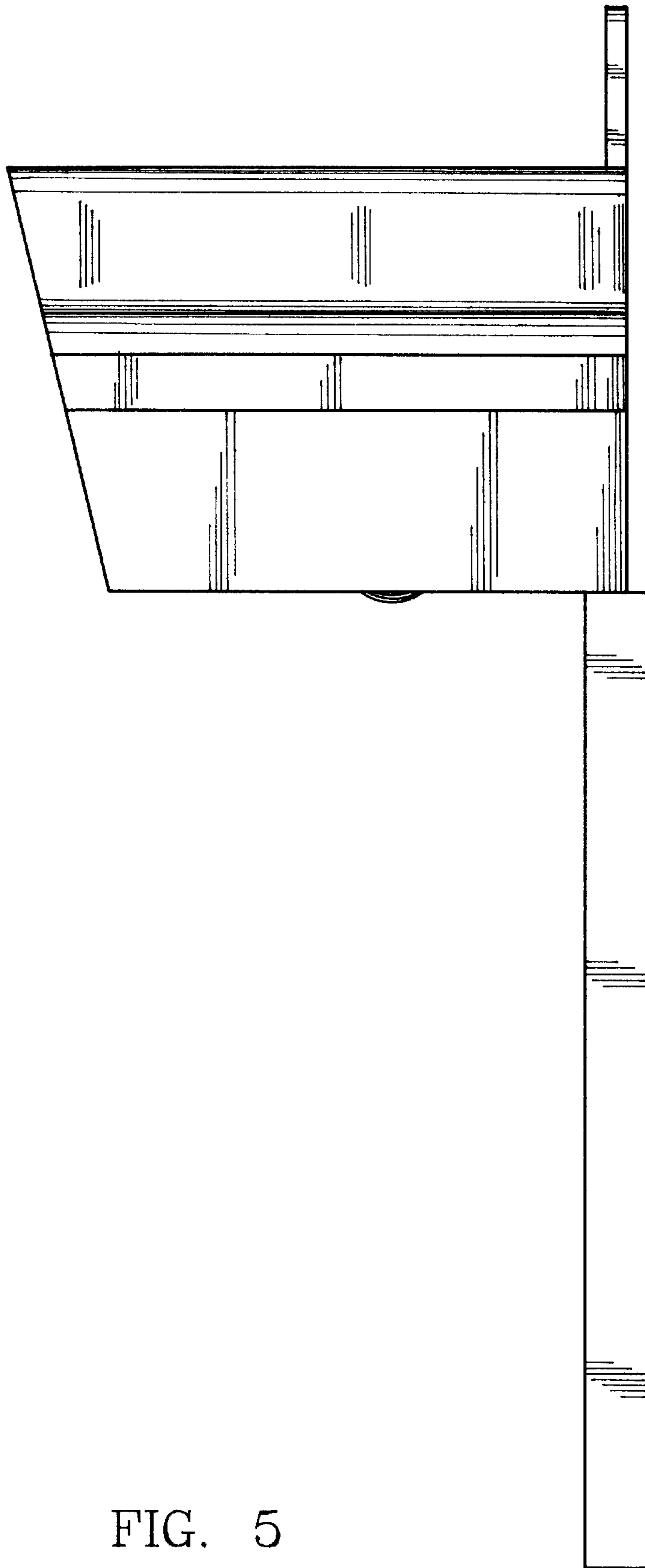


FIG. 5

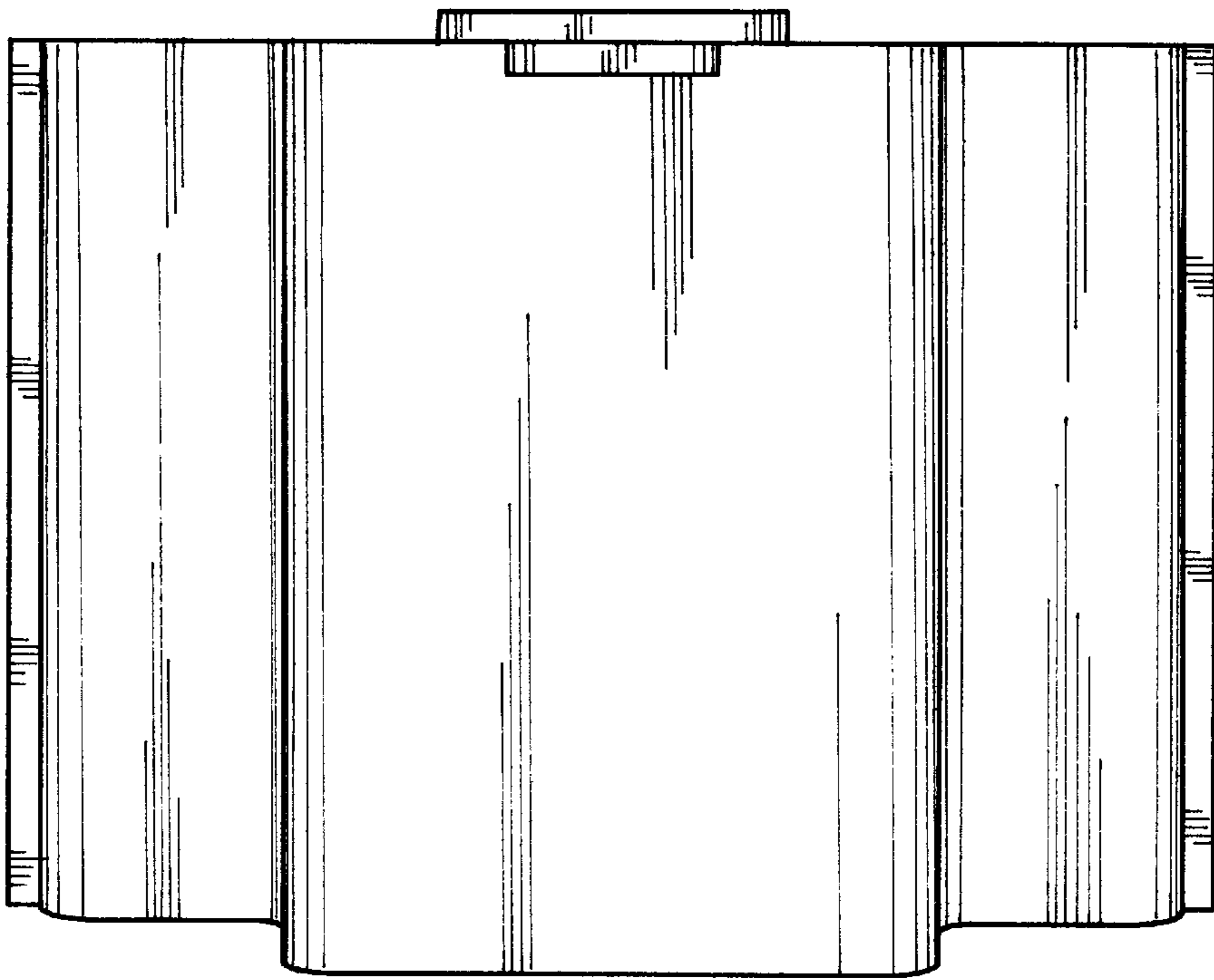


FIG. 6

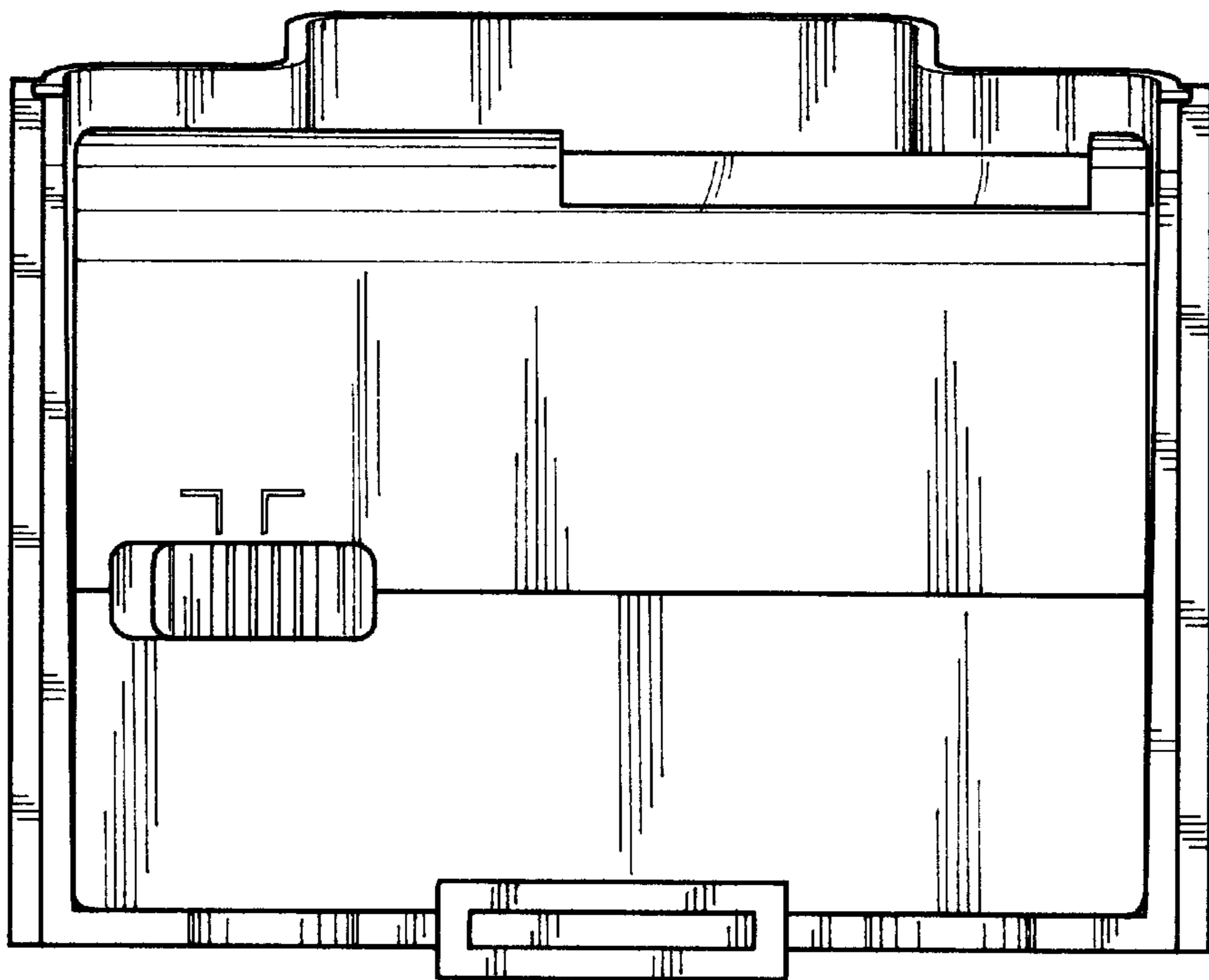


FIG. 7

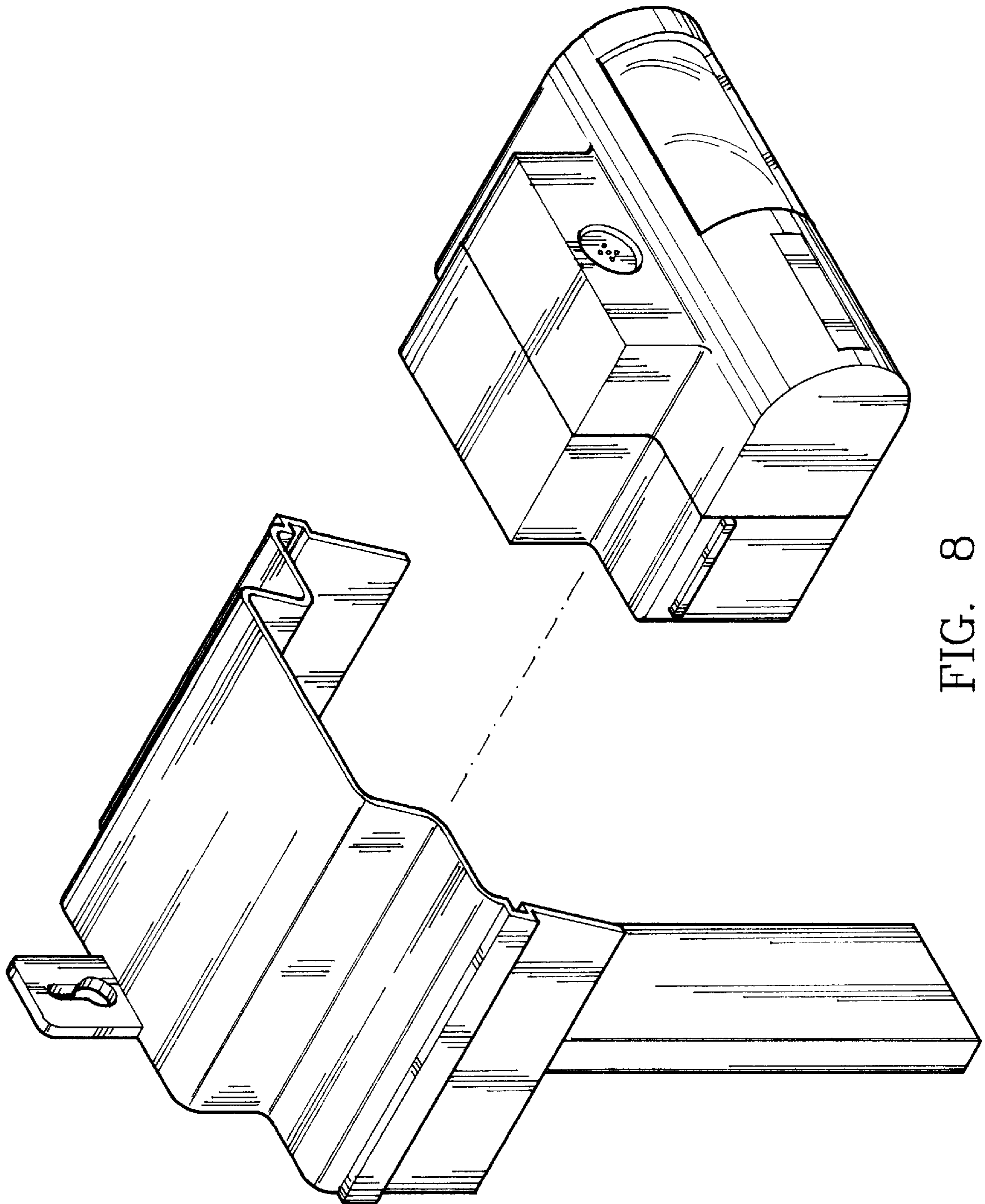


FIG. 8