



US00D398871S

United States Patent [19] Salami

[11] Patent Number: Des. 398,871

[45] Date of Patent: **Sep. 29, 1998

[54] ANTI-THEFT LUGGAGE ALARM UNIT

D. 353,115 12/1994 Garner et al. D10/106

[76] Inventor: Ariyo A. Salami, 5612 Whistler Crescent, Mississauga Ontario, Canada, L4Z 3R6

Primary Examiner—Marcus A. Jackson

[**] Term: 14 Years

[57] CLAIM

The ornamental design for a anti-theft luggage alarm unit, as shown.

[21] Appl. No.: 79,408

DESCRIPTION

[22] Filed: Nov. 13, 1997

FIG. 1 is a front plan view of an anti-theft luggage alarm unit of the present invention;

[51] LOC (6) Cl. 10-05

[52] U.S. Cl. D10/106

FIG. 2 is a back plan view of an anti-theft luggage alarm unit of FIG. 1;

[58] Field of Search D20/22-28; D10/104, D10/106, 116, 121; 340/540, 547, 565, 566, 567, 568, 571, 572, 573

FIG. 3 is a left side plan view of an anti-theft luggage alarm unit of FIG. 1;

FIG. 4 is a right side plan view of an anti-theft luggage alarm unit of FIG. 1;

[56] References Cited

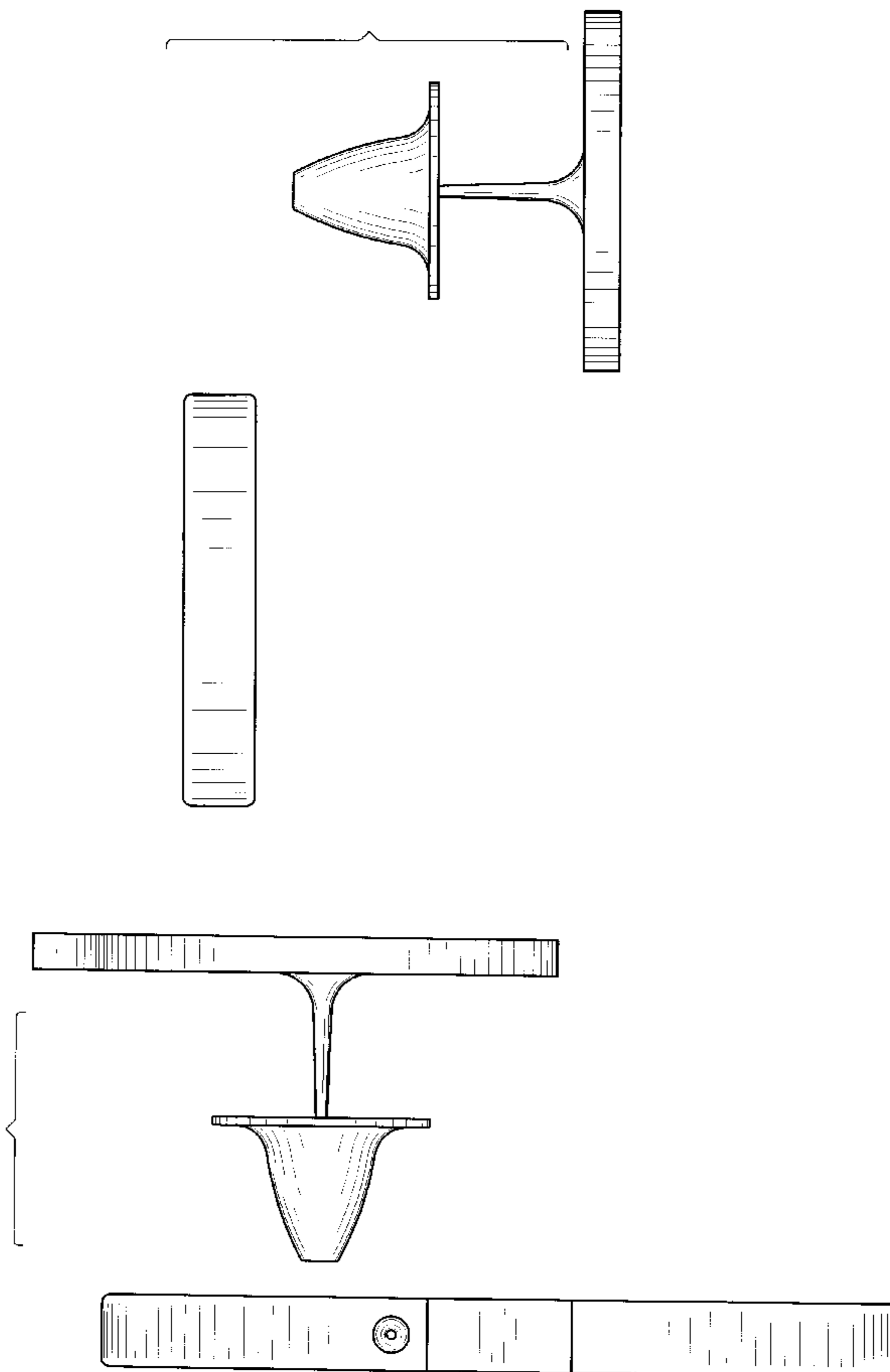
U.S. PATENT DOCUMENTS

- D. 343,134 1/1994 Witzky et al. D10/106
- D. 343,368 1/1994 Witzky et al. D10/106
- D. 346,126 4/1994 Hedrikx D10/106
- D. 352,913 11/1994 Garner et al. D10/106

FIG. 5 is a top plan view of an anti-theft luggage alarm unit of FIG. 1; and,

FIG. 6 is a bottom plan view of an anti-theft luggage alarm unit of FIG. 1.

1 Claim, 3 Drawing Sheets



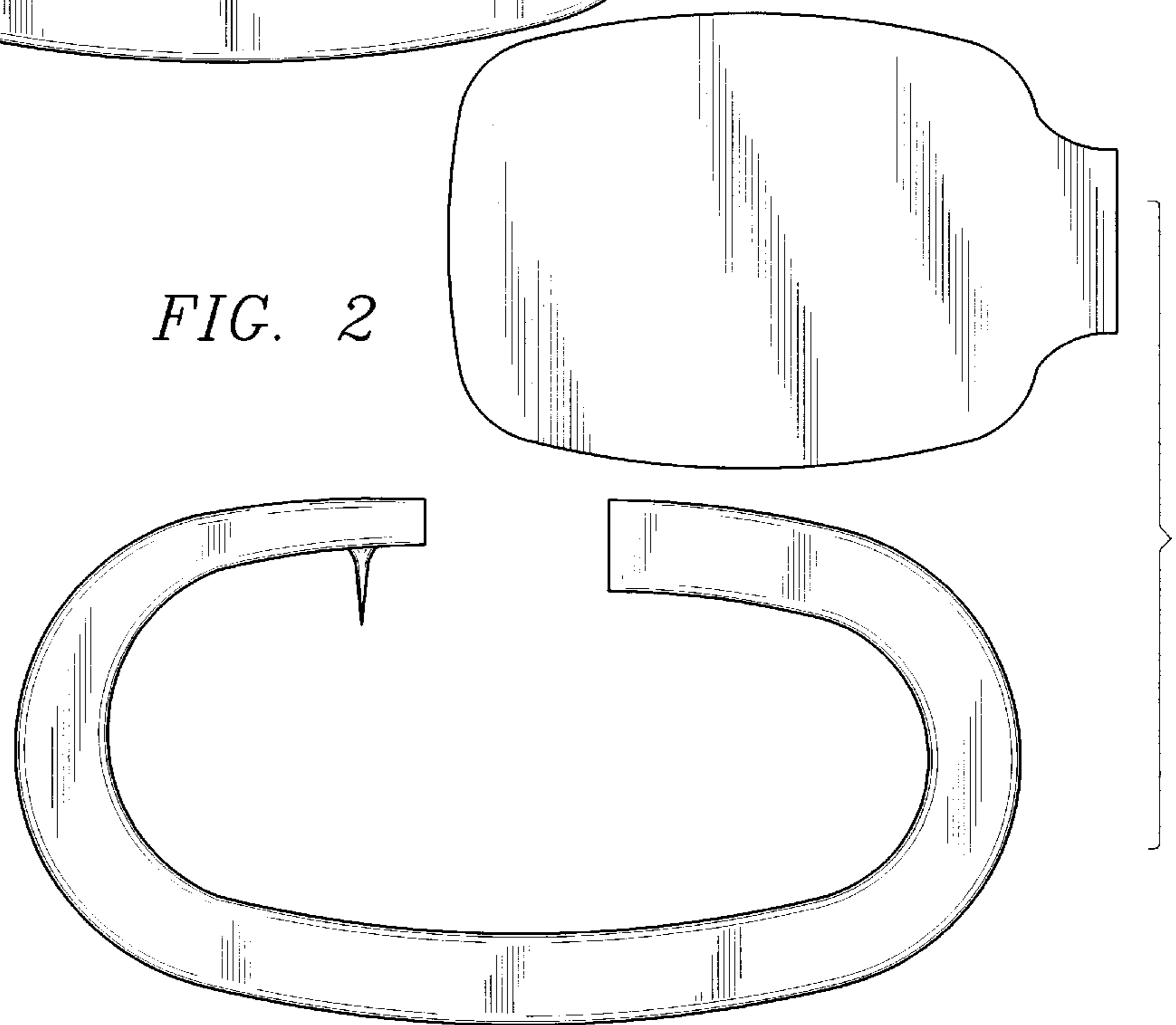
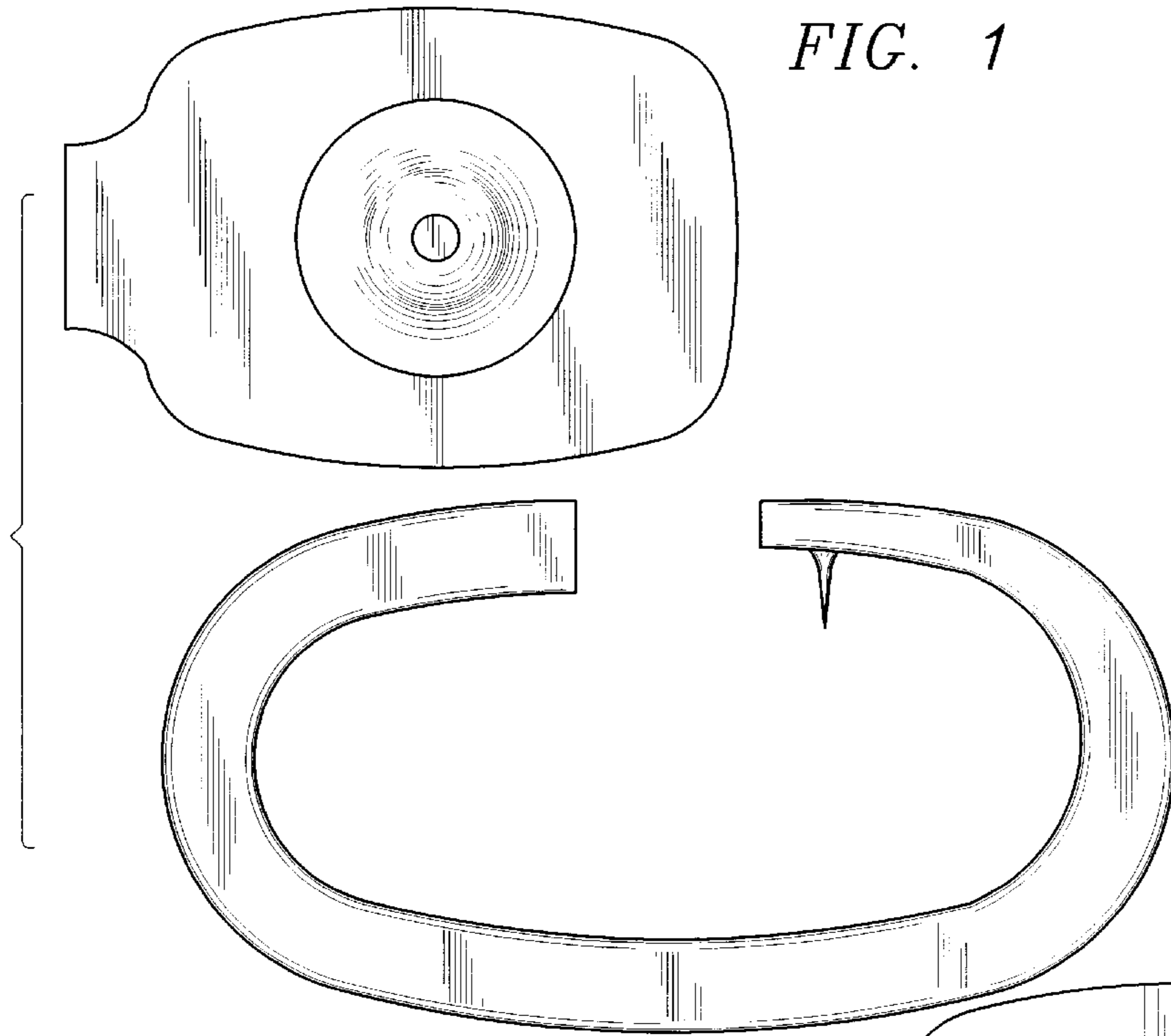


FIG. 3

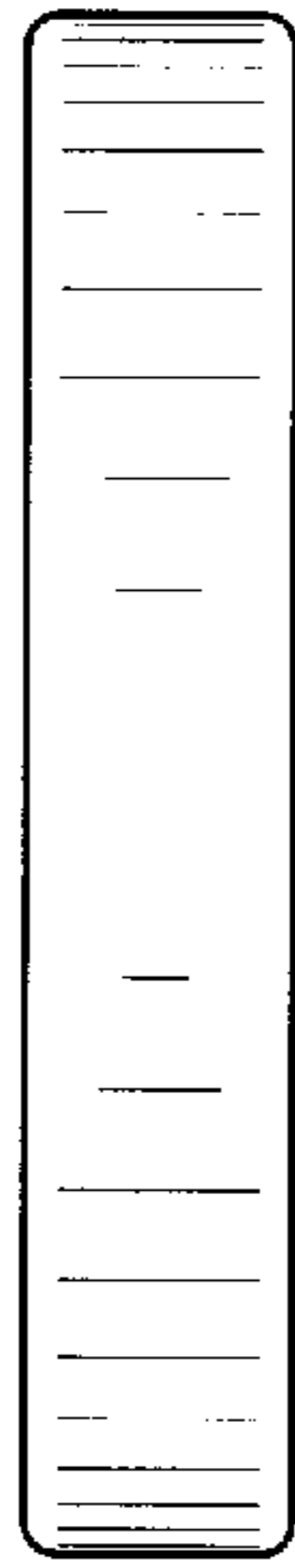
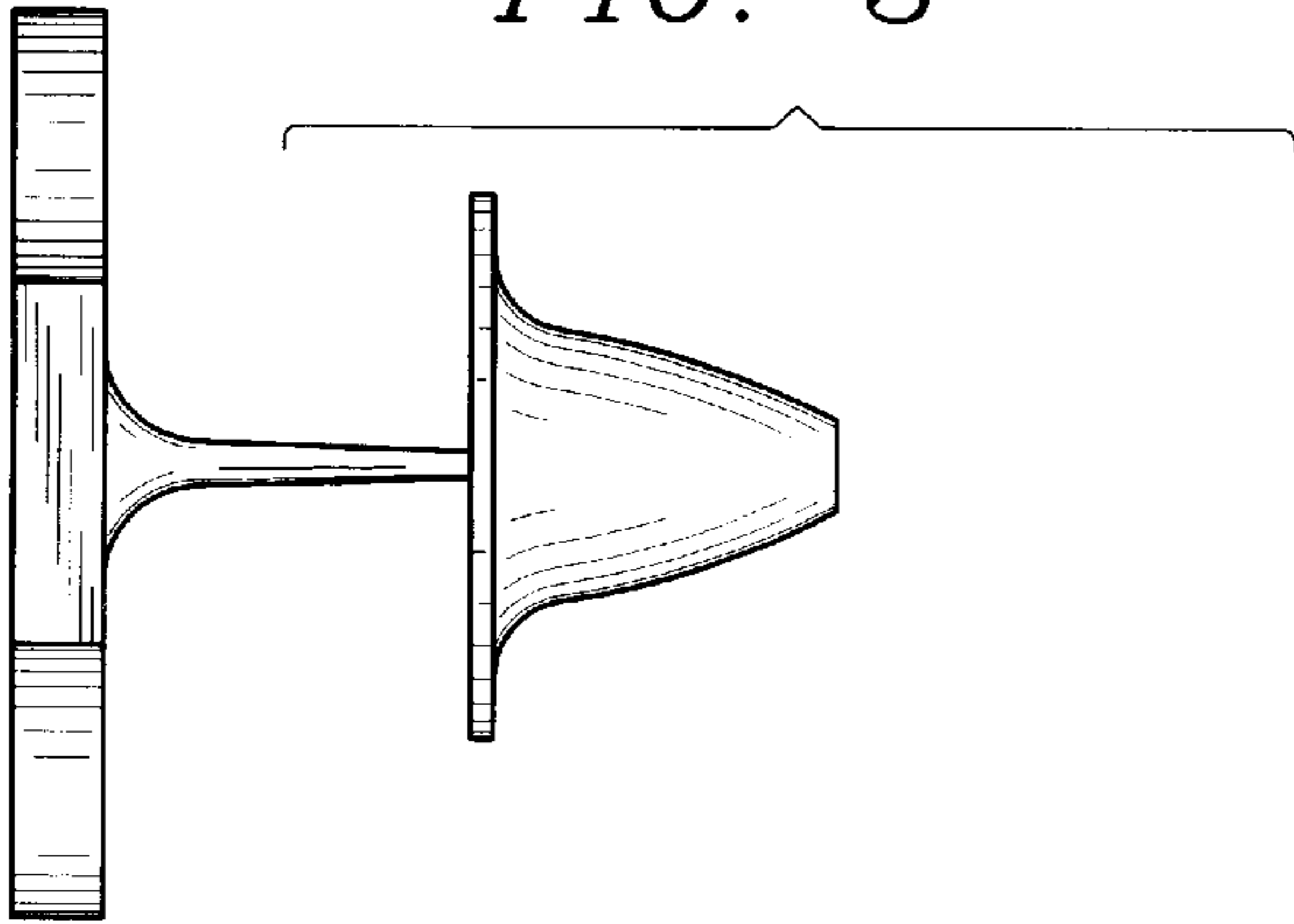


FIG. 4

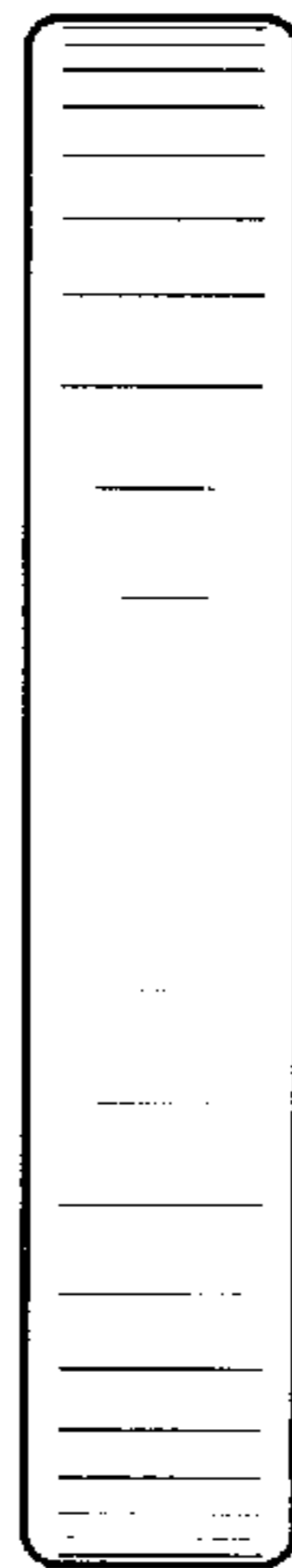
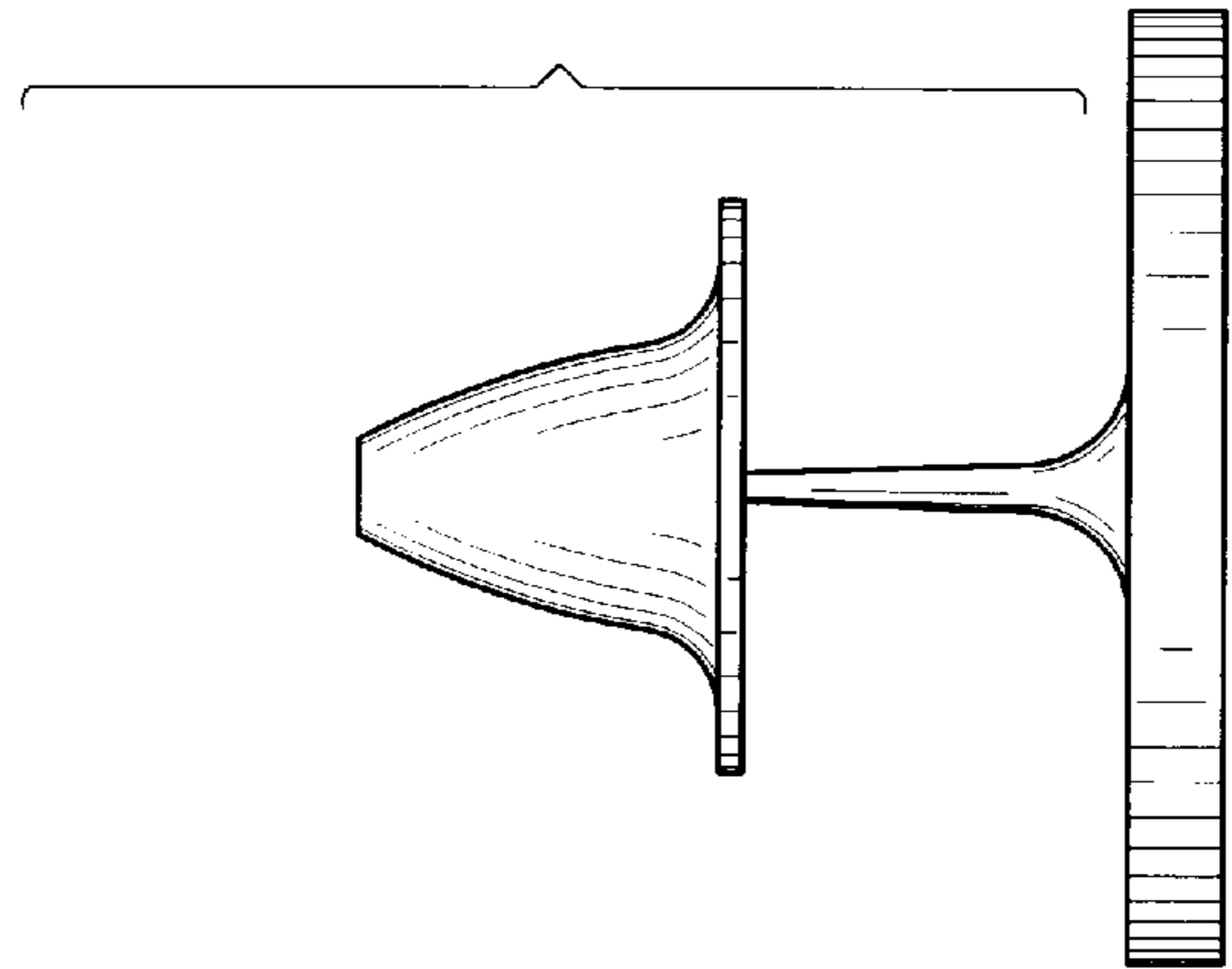


FIG. 5

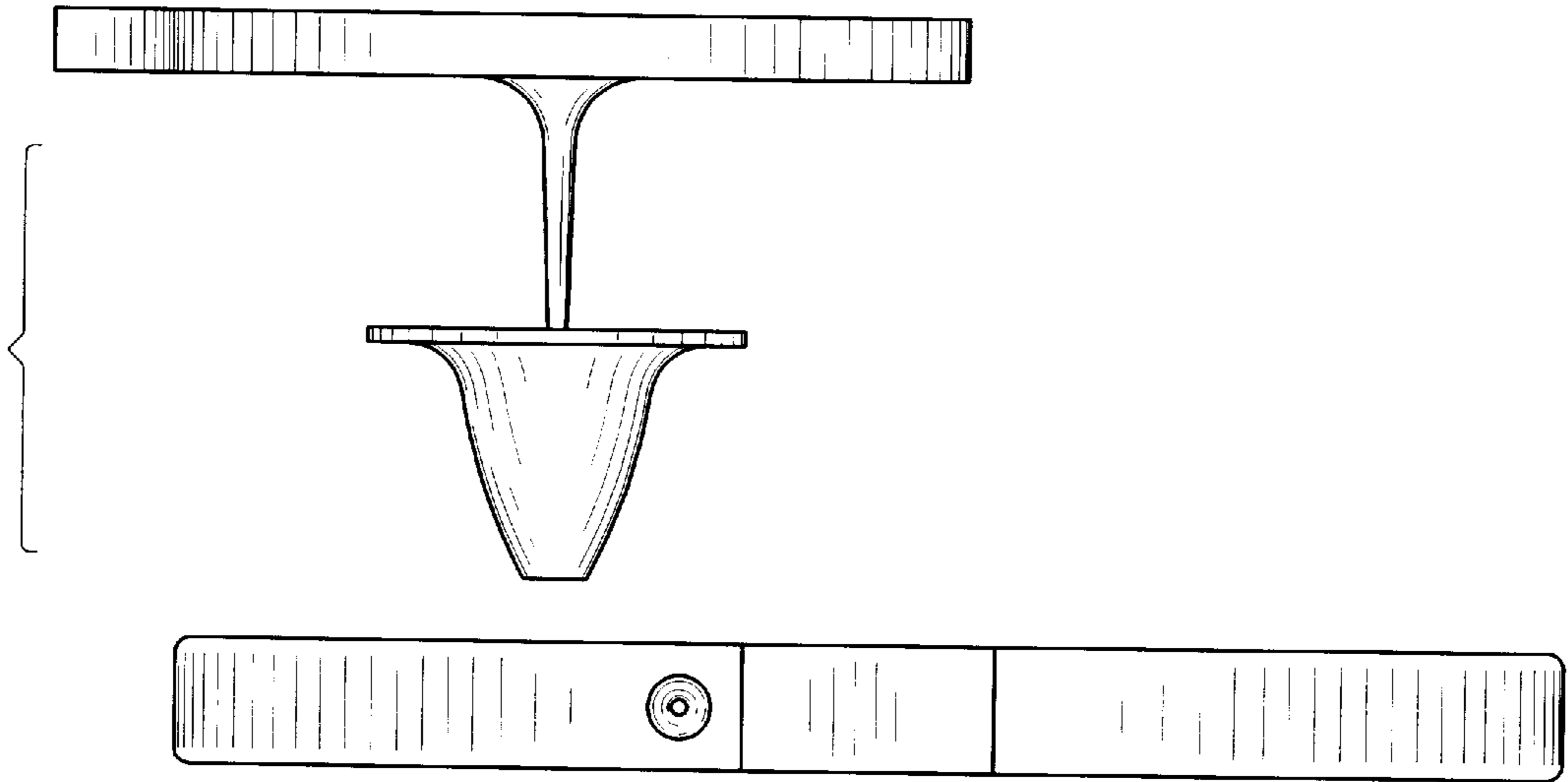


FIG. 6

