



US00D398868S

# United States Patent [19] Taylor

[11] Patent Number: Des. 398,868

[45] Date of Patent: \*\*Sep. 29, 1998

[54] T-RULE

[75] Inventor: Christopher L. Taylor, Dallas, Tex.

[73] Assignee: Taylor Design Group, Inc., Carrollton, Tex.

[\*\*] Term: 14 Years

[21] Appl. No.: 80,053

[22] Filed: Nov. 26, 1997

[51] LOC (6) Cl. .... 10-04

[52] U.S. Cl. .... D10/65; D10/71

[58] Field of Search ..... D10/65, 71; 33/427, 33/428, 429, 474, 476, 479

1,257,683	2/1918	Defenbaugh .
1,309,930	7/1919	Akin .
1,663,293	3/1928	Cook .
2,521,934	9/1950	Mitchell .
2,616,181	11/1952	Van Doome .
2,883,754	4/1959	Luebke .
3,303,570	2/1967	Hamann, Sr. .
3,579,841	5/1971	Peterson .
4,089,116	5/1978	Bearinger .
4,171,573	10/1979	Picciotto .
4,235,022	11/1980	Aldape .
4,484,395	11/1984	Samuels .
4,503,624	3/1985	Whiteford .
4,599,805	7/1986	Padilla .
4,669,197	6/1987	Griew .
4,715,127	12/1987	Bernabeu .
5,090,129	2/1992	Cunningham .

### OTHER PUBLICATIONS

INCRA®Rules 6" Precision Marking Rule Set product literature, ©1996 Taylor Design Group, Inc.

Primary Examiner—Antoine Duval Davis  
Attorney, Agent, or Firm—Workman, Nydegger & Seeley

### [56] References Cited

#### U.S. PATENT DOCUMENTS

D. 137,459	3/1944	Colmery .	
181,236	8/1876	Wyckoff .	
193,744	7/1877	Wyckoff .	
D. 267,932	2/1983	Sidrak .	
D. 273,769	5/1984	Sidrak .	
304,245	8/1884	Thomas .	
D. 334,540	4/1993	Amann et al. .	
D. 384,900	10/1997	Taylor .....	D10/64
D. 384,901	10/1997	Taylor .	
D. 385,205	10/1997	Taylor .	
D. 387,689	12/1997	Sharon et al. .	
703,208	6/1902	Lawrence .	
710,891	10/1902	Pugh .	
732,379	6/1903	Shireman .	
844,243	2/1907	Breul .	
854,351	5/1907	Hight .	
861,799	7/1907	Breil .	
946,695	1/1910	Dinsmoor .	
1,118,067	11/1914	Smith .....	33/474

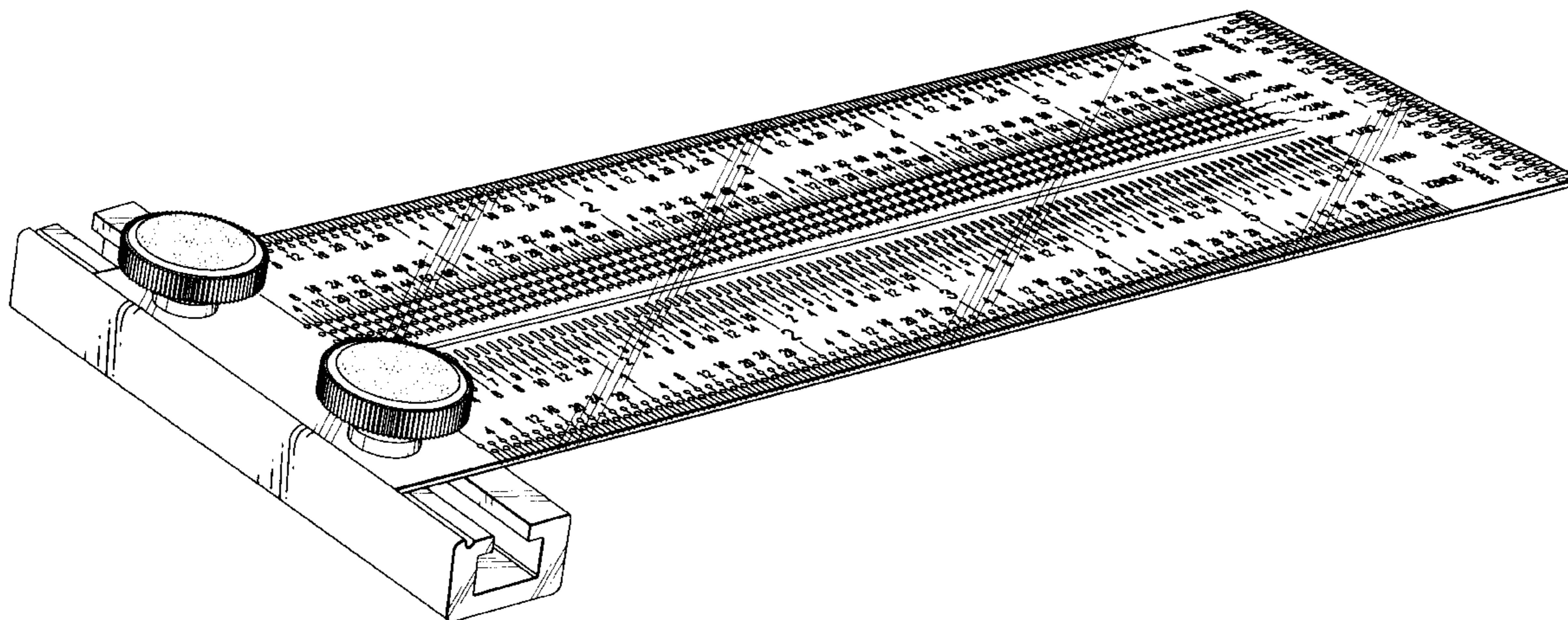
### [57] CLAIM

The ornamental design for a T-Rule, as shown and described.

### DESCRIPTION

FIG. 1 is a perspective view of a T-Rule showing my design; FIG. 2 is a top plan view thereof; FIG. 3 is a side elevational view thereof, the other side being identical; FIG. 4 is a bottom plan view thereof; FIG. 5 is a front end elevational view thereof; and, FIG. 6 is a rear end elevational view thereof.

1 Claim, 3 Drawing Sheets



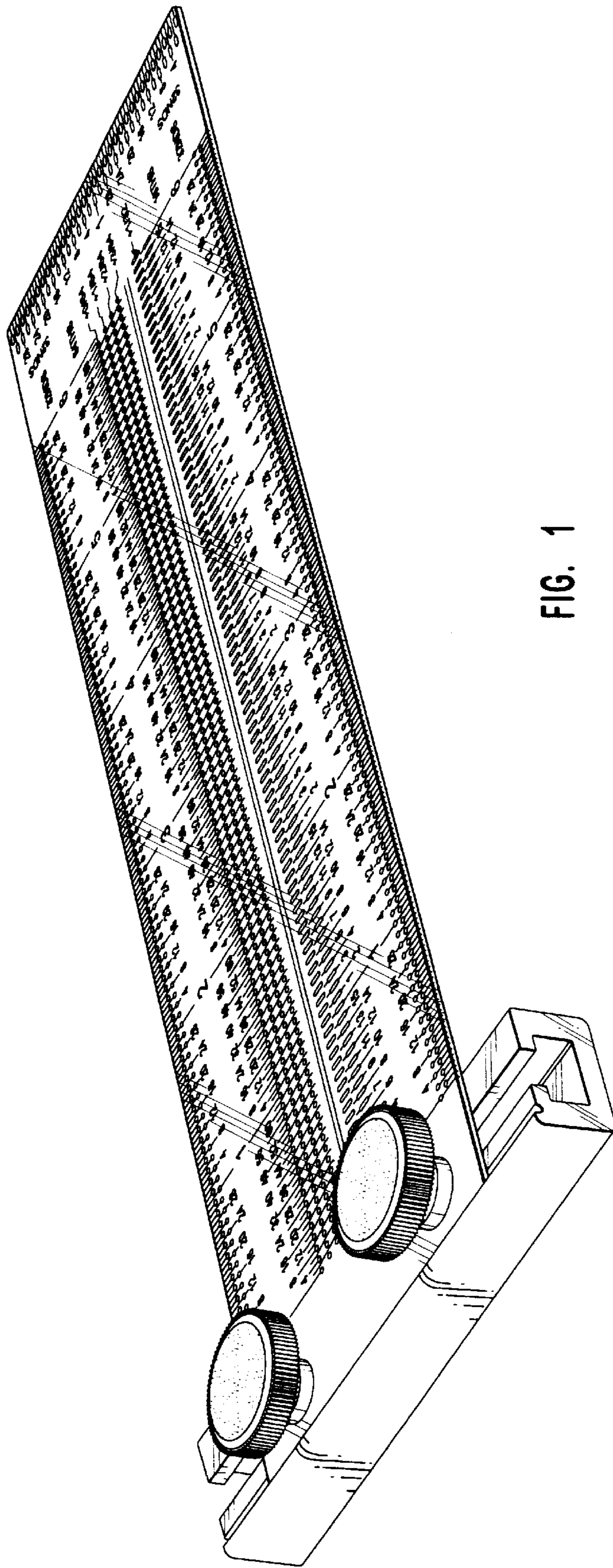


FIG. 1

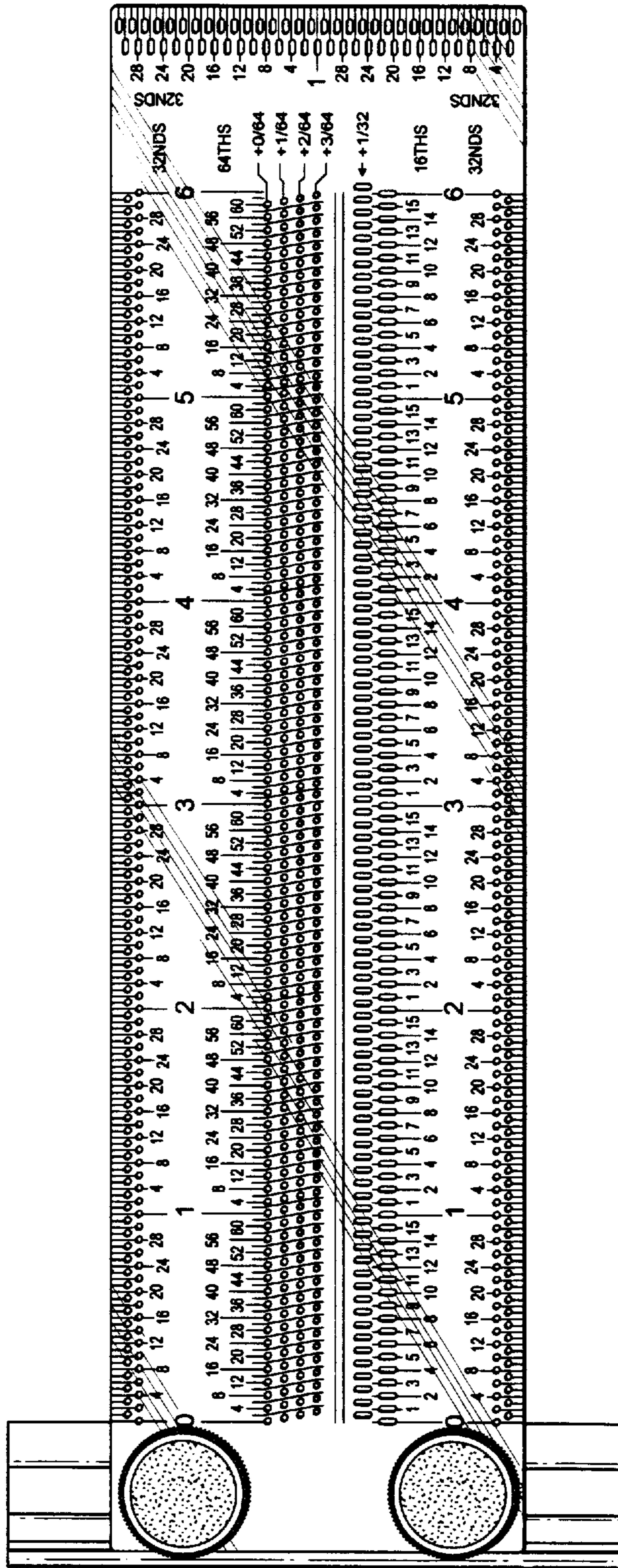


FIG. 2

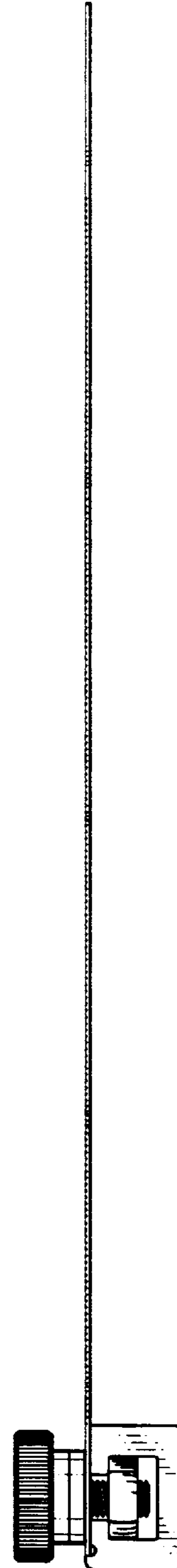


FIG. 3

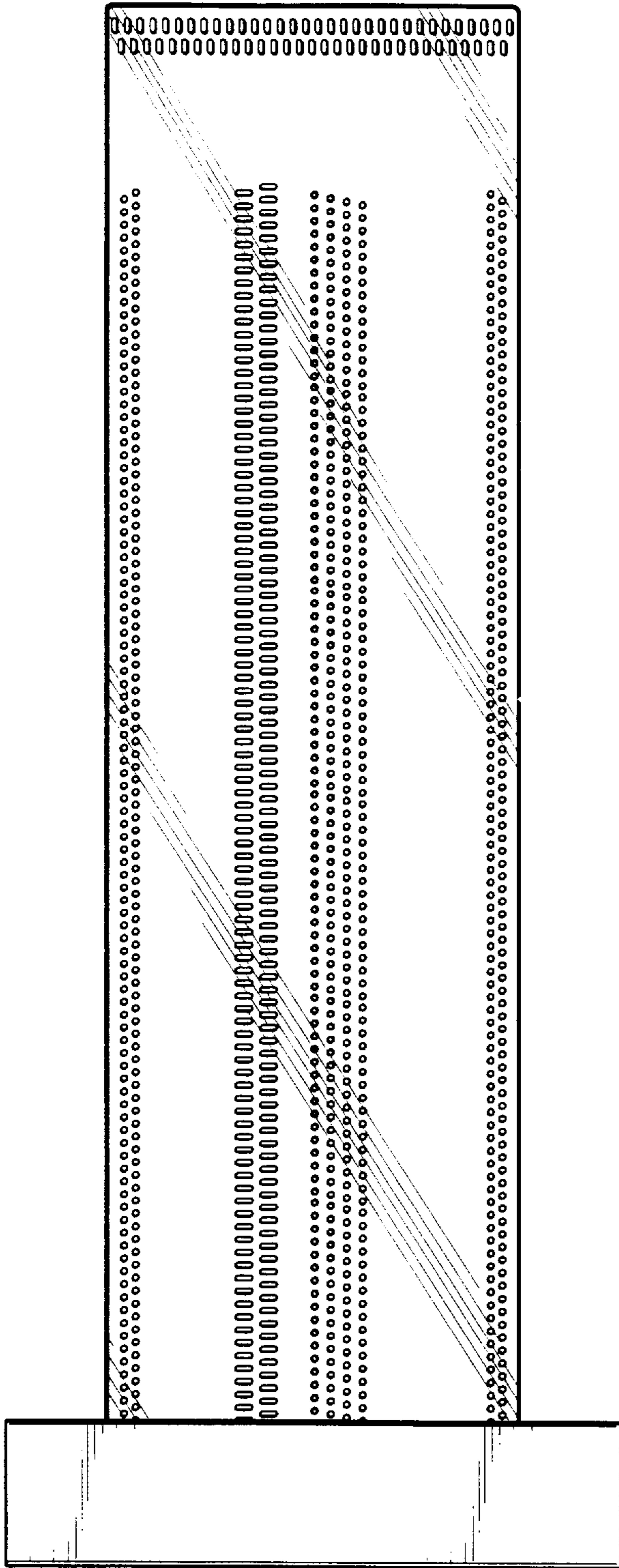


FIG. 4

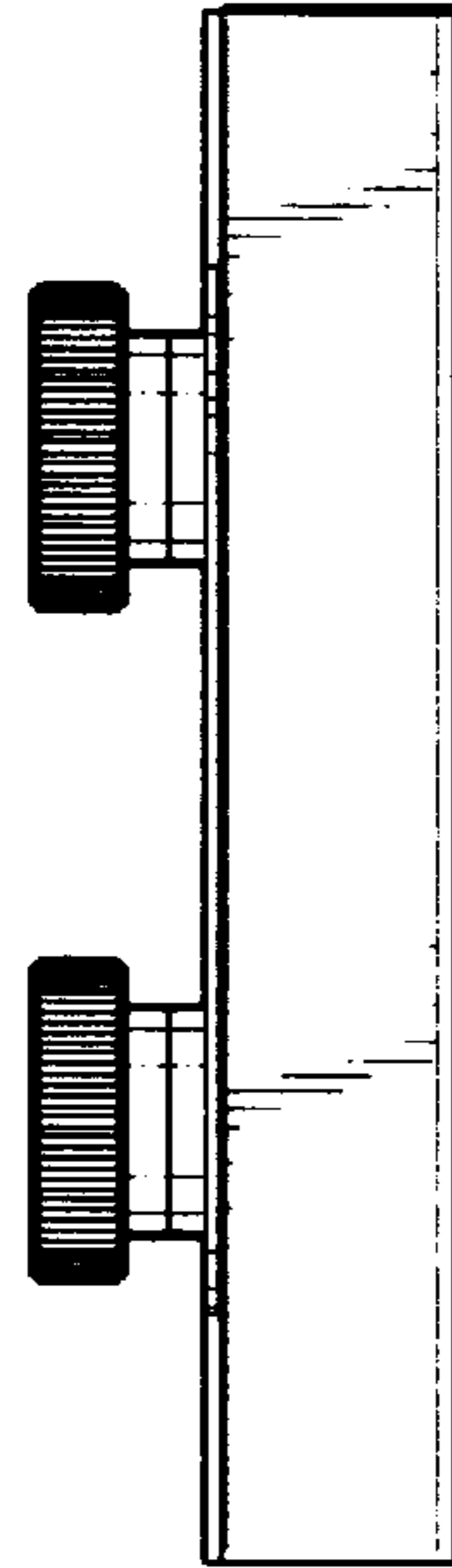


FIG. 5

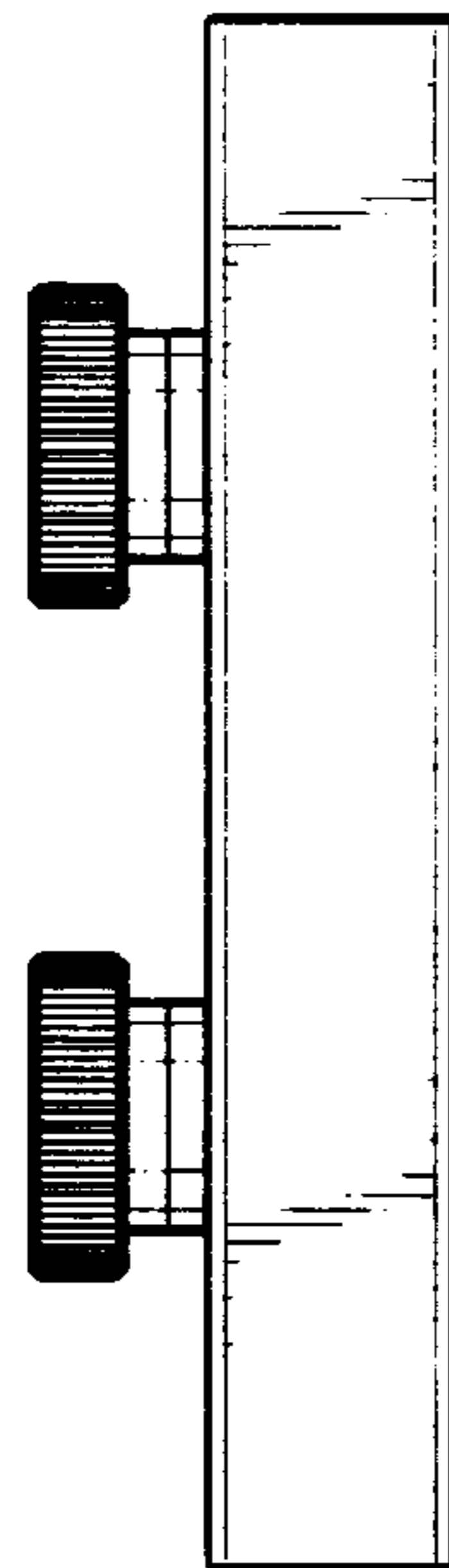


FIG. 6