



US00D398865S

United States Patent [19]

[11] Patent Number: Des. 398,865

Dietterich et al.

[45] Date of Patent: **Sep. 29, 1998

[54] PROTRACTOR AND DRAWING TEMPLATE

[75] Inventors: Charles W. Dietterich, Broadheadsville, Pa.; Stephen A. White, Bloomsbury, N.J.; Brett A. Wilson, Durham, Pa.; Richard A. Tarozzi, Gales Ferry, Conn.

[73] Assignee: Binney & Smith Inc., Easton, Pa.

[**] Term: 14 Years

[21] Appl. No.: 78,136

[22] Filed: Oct. 20, 1997

[51] LOC (6) Cl. 10-04

[52] U.S. Cl. D10/62; D10/64; D10/71; D19/39

[58] Field of Search D10/71, 62, 64; D19/39; 33/421-435, 465, 471, 472, 483-494, 563, 566

- D. 262,779 1/1982 Yeeda .
- D. 270,647 9/1983 Fisher .
- D. 271,025 10/1983 Li .
- D. 279,381 6/1985 Leung .
- D. 283,515 4/1986 Li .
- D. 284,199 6/1986 Li .
- D. 284,387 6/1986 Li .
- D. 285,094 8/1986 Li .
- D. 286,161 10/1986 Wong .
- D. 293,301 12/1987 Deering .
- D. 296,220 6/1988 Hung .
- D. 296,996 8/1988 Deering .
- D. 297,018 8/1988 Deering .
- D. 297,019 8/1988 Deering .
- D. 297,245 8/1988 Deering .
- 306,869 10/1884 Scott .
- 314,507 3/1885 Yonge 33/483
- D. 332,412 1/1993 Ninaber Van Eijben et al. .. D10/64 X
- D. 334,146 3/1993 Boelling D10/64 X
- D. 340,195 10/1993 Shapiro .
- D. 343,187 1/1994 Webb et al. .

(List continued on next page.)

[56] References Cited

U.S. PATENT DOCUMENTS

- D. 54,137 11/1919 Slosson .
- D. 93,979 12/1934 Grant .
- D. 116,007 8/1939 Bakallie .
- D. 116,008 8/1939 Bakallie .
- D. 125,449 2/1941 Kidd .
- D. 129,583 9/1941 Grant .
- D. 133,097 7/1942 Carr .
- D. 137,459 3/1944 Colmery .
- D. 139,083 10/1944 Macht .
- D. 141,882 7/1945 Matson .
- D. 146,342 2/1947 White D10/62
- D. 156,504 12/1949 Grant .
- D. 163,302 5/1951 Martin .
- D. 195,225 5/1963 Traum .
- D. 198,393 6/1964 Thomas .
- D. 200,595 3/1965 Wendt et al. .
- D. 200,664 3/1965 Kellinger et al. .
- D. 204,017 3/1966 Goldman et al. .
- D. 211,829 7/1968 Alexander .
- D. 221,107 7/1971 Miller .
- D. 222,388 10/1971 Meldrum .
- D. 235,521 6/1975 Donnelly .
- D. 245,109 7/1977 Yoshioka .

OTHER PUBLICATIONS

Photographs of a green ruler with the name "Nickelodeon", © 1997 Viacom, available to the applicant in approximately Jul., 1997.

Primary Examiner—Antoine Duval Davis
Attorney, Agent, or Firm—Leydig, Voit & Mayer, Ltd.

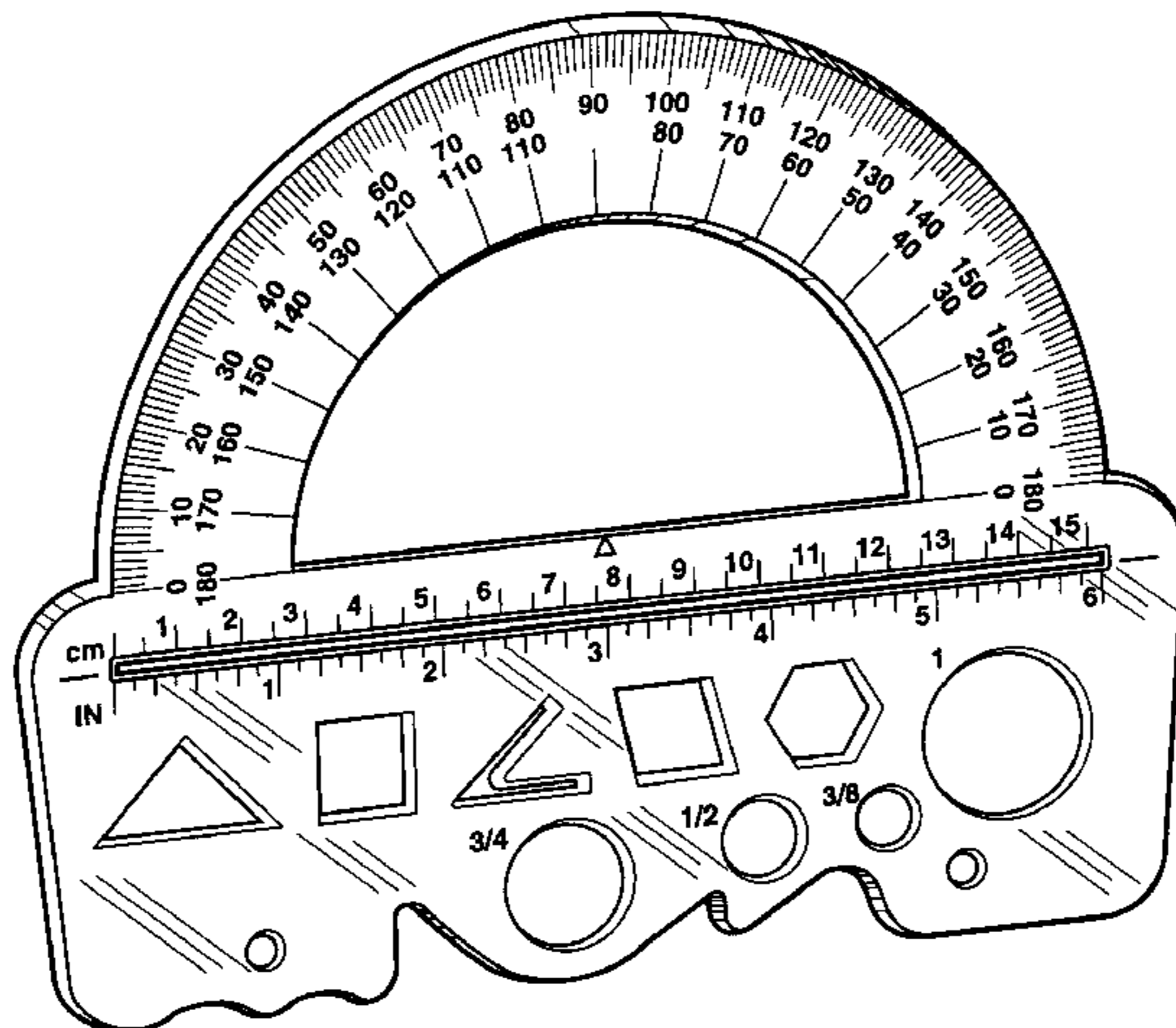
[57] CLAIM

The ornamental design for a protractor and drawing template, as shown and described.

DESCRIPTION

FIG. 1 is a left front top perspective view of the protractor and drawing template;
FIG. 2 is a top view thereof;
FIG. 3 is a left side view thereof;
FIG. 4 is a right side view thereof;
FIG. 5 is a front view thereof;
FIG. 6 is a rear view thereof; and,
FIG. 7 is a bottom view thereof.

1 Claim, 2 Drawing Sheets



U.S. PATENT DOCUMENTS					
			2,637,110	5/1953	Gilbertson 33/104
D. 348,897	7/1994	Bedol .	2,835,987	5/1958	Heiser 35/28
D. 350,971	9/1994	Lassberg .	2,903,795	9/1959	Wilfert 33/2
D. 355,133	2/1995	Vachon .	3,140,548	7/1964	Paparozzi 33/174
D. 369,178	4/1996	Bedol .	3,584,385	6/1971	Booth 33/174 B
D. 369,618	5/1996	Lichfield .	3,805,395	4/1974	Hopkinson 33/174 B
D. 369,981	5/1996	Hayes et al. .	3,893,243	7/1975	Schüller 33/174 G
D. 378,756	4/1997	McDonald et al. .	4,026,030	5/1977	Kuever et al. 33/174 B
D. 378,924	4/1997	Bedol .	4,181,960	1/1980	Tateishi et al. 364/562
419,268	1/1890	Low D10/71	4,349,966	9/1982	Marino et al. 33/489
422,033	2/1890	Nisley D10/71 X	4,388,764	6/1983	Hermes 33/403
893,085	7/1908	Loughborough .	4,461,092	7/1984	Hore 33/474
1,029,225	6/1912	Rigaumont .	4,470,197	9/1984	Pagalies 33/174 B
1,343,968	6/1920	Hahn .	4,524,522	6/1985	Perry 33/11
1,498,994	6/1924	Borsuk et al. .	4,584,780	4/1986	Pressey 33/563
1,583,138	5/1926	Garnett .	4,589,210	5/1986	Konrad 33/27.03
2,233,481	3/1941	Kuehl .	4,688,330	8/1987	Konrad 33/27.03
2,303,676	12/1942	Bixby 33/107	4,736,526	4/1988	Hsia 33/565
2,371,485	3/1945	Waldman 33/174	5,027,523	7/1991	MacLeod 33/564
2,463,694	3/1949	Jenison 33/492	5,093,760	3/1992	Bedol 361/392
2,487,673	11/1949	Roper 33/174	5,105,551	4/1992	McCutchen et al. 33/563
2,507,073	5/1950	White 265/49	5,615,485	4/1997	Stoneberg 33/27.03

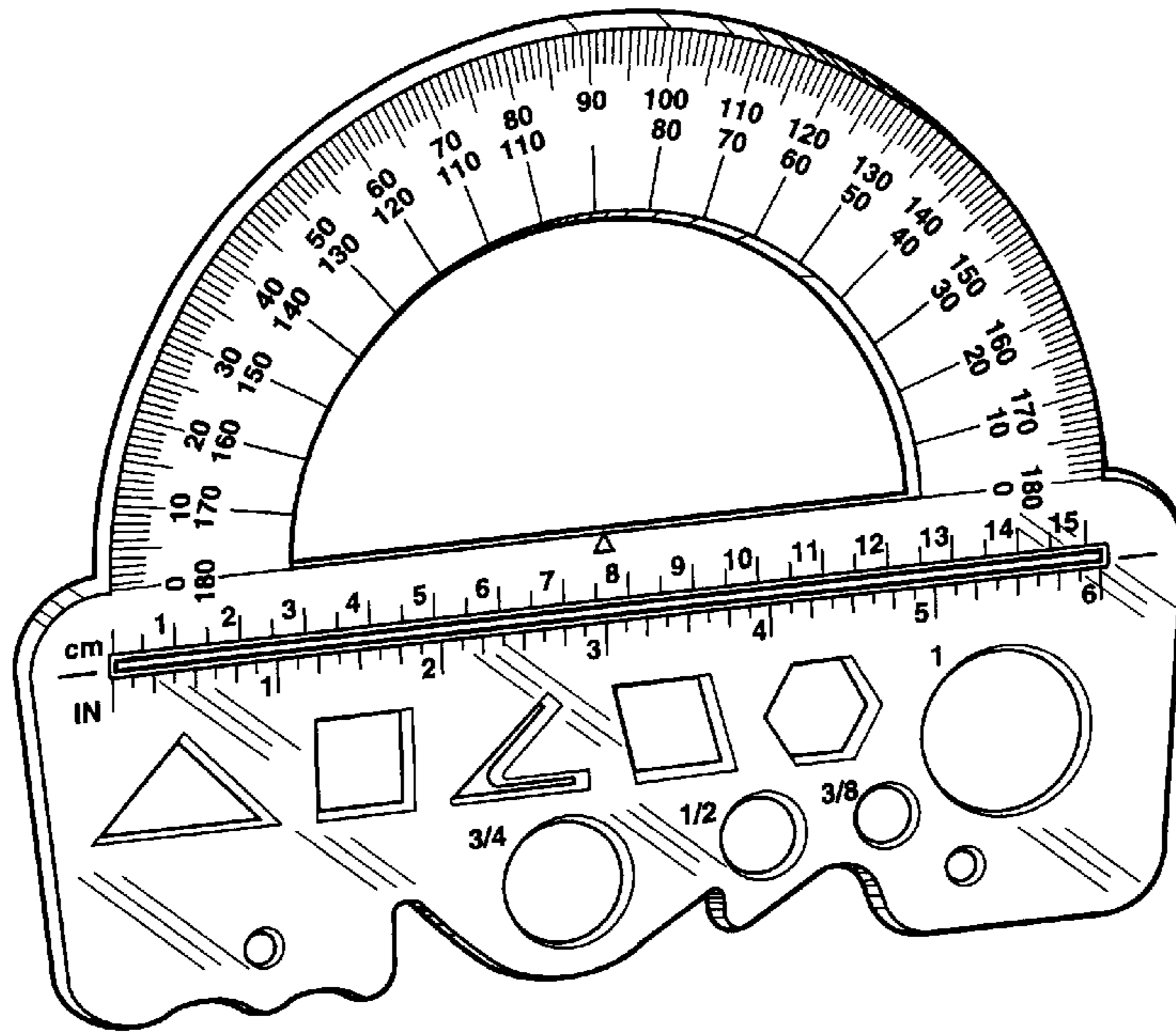


FIG. 1



FIG. 2



FIG. 3



FIG. 4

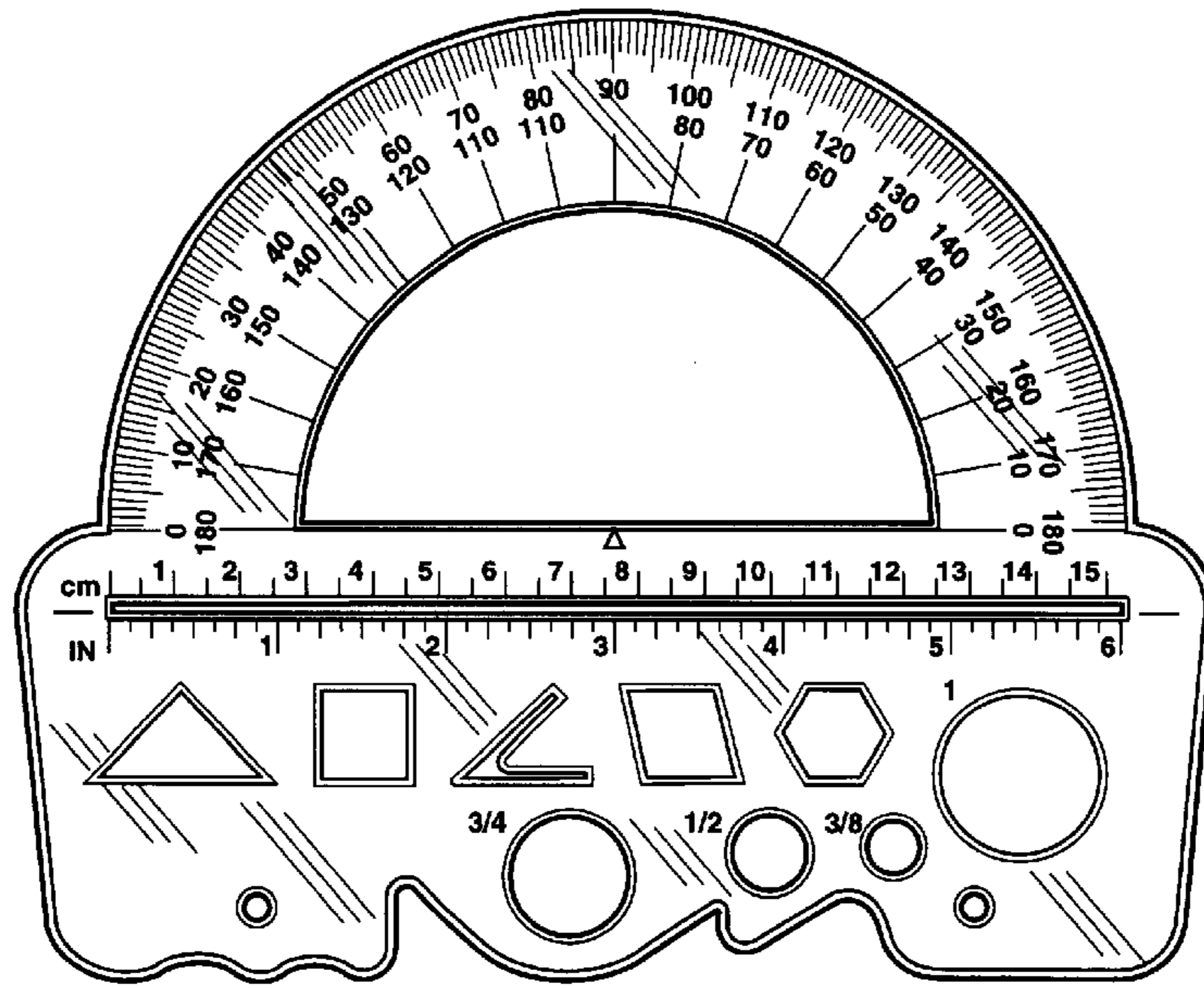


FIG. 5

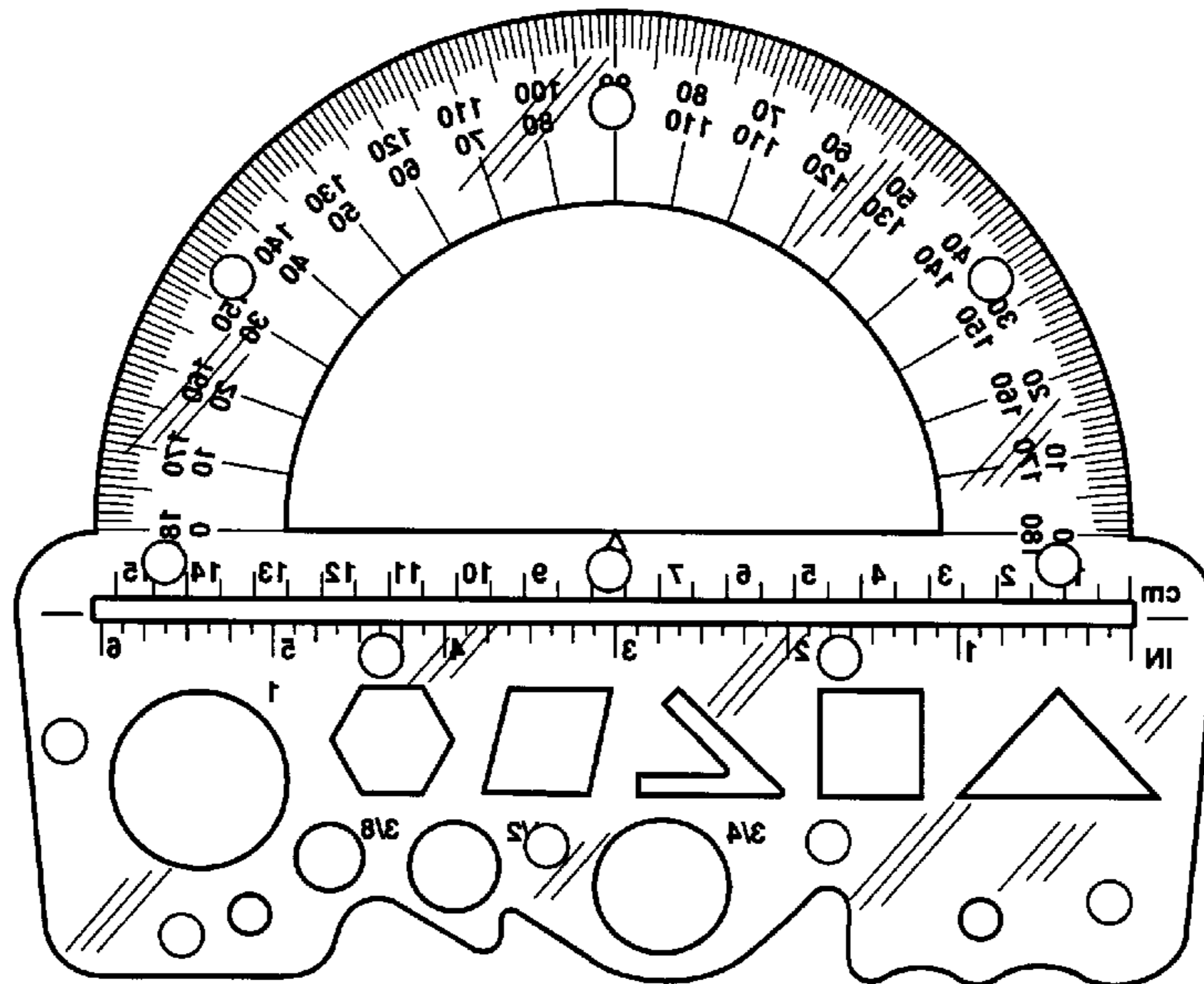


FIG. 6



FIG. 7