



US00D398860S

# United States Patent [19]

Paredes et al.

[11] **Patent Number: Des. 398,860**

[45] **Date of Patent: \*\*Sep. 29, 1998**

[54] **CASING FOR A WATCH**

4,444,513 4/1984 Proellochs ..... 368/276

[75] Inventors: **Edgardo B. Paredes; Lani E. Cobarrubias**, both of Cebu, Philippines

### FOREIGN PATENT DOCUMENTS

750 786 of 0000 United Kingdom ..... 368/292

[73] Assignee: **Timex Corporation**, Middlebury, Conn.

*Primary Examiner*—Nelson C. Holtje  
*Attorney, Agent, or Firm*—Arthur G. Schaier

[\*\*] Term: **14 Years**

### [57] CLAIM

[21] Appl. No.: **68,612**

The ornamental design for a “casing for a watch”, as shown and described.

[22] Filed: **Mar. 25, 1997**

[51] **LOC (6) Cl.** ..... **10-02**

[52] **U.S. Cl.** ..... **D10/30; D10/39**

[58] **Field of Search** ..... D10/1-40, 122-132;  
368/276-277, 285, 316-317

### DESCRIPTION

### [56] References Cited

#### U.S. PATENT DOCUMENTS

D. 163,862	7/1951	Geuffrion	.....	D10/30
D. 361,941	9/1995	Miyazaki	.....	D10/30
D. 370,420	6/1996	Rousseay	.....	D10/32
D. 370,637	6/1996	Oha	.....	D10/30

FIG. 1 is a perspective elevational view of a “casing for a watch”;

FIG. 2 is a left side elevational view thereof;

FIG. 3 is a top plan view thereof;

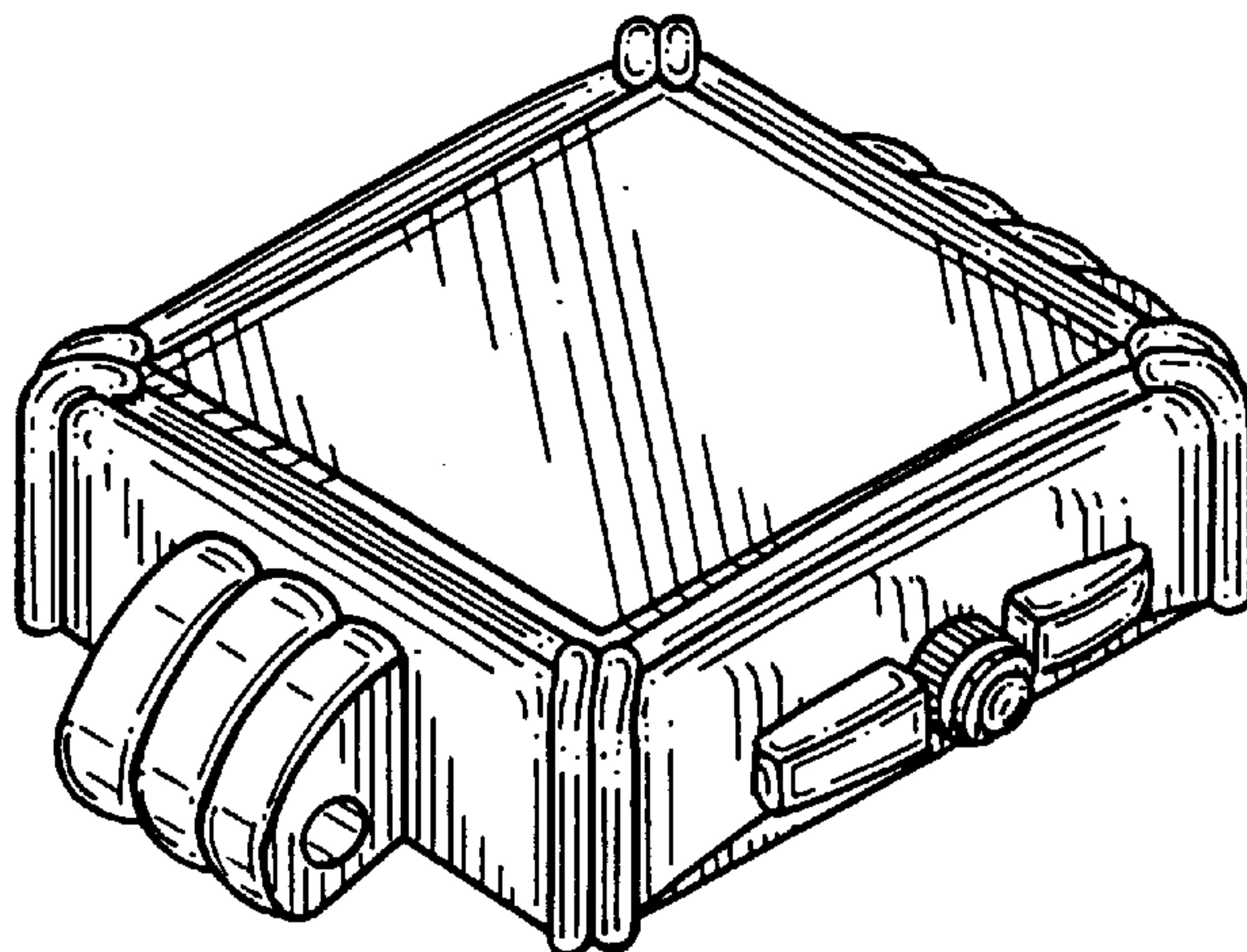
FIG. 4 is a right side elevational view thereof;

FIG. 5 is an end elevational view thereof;

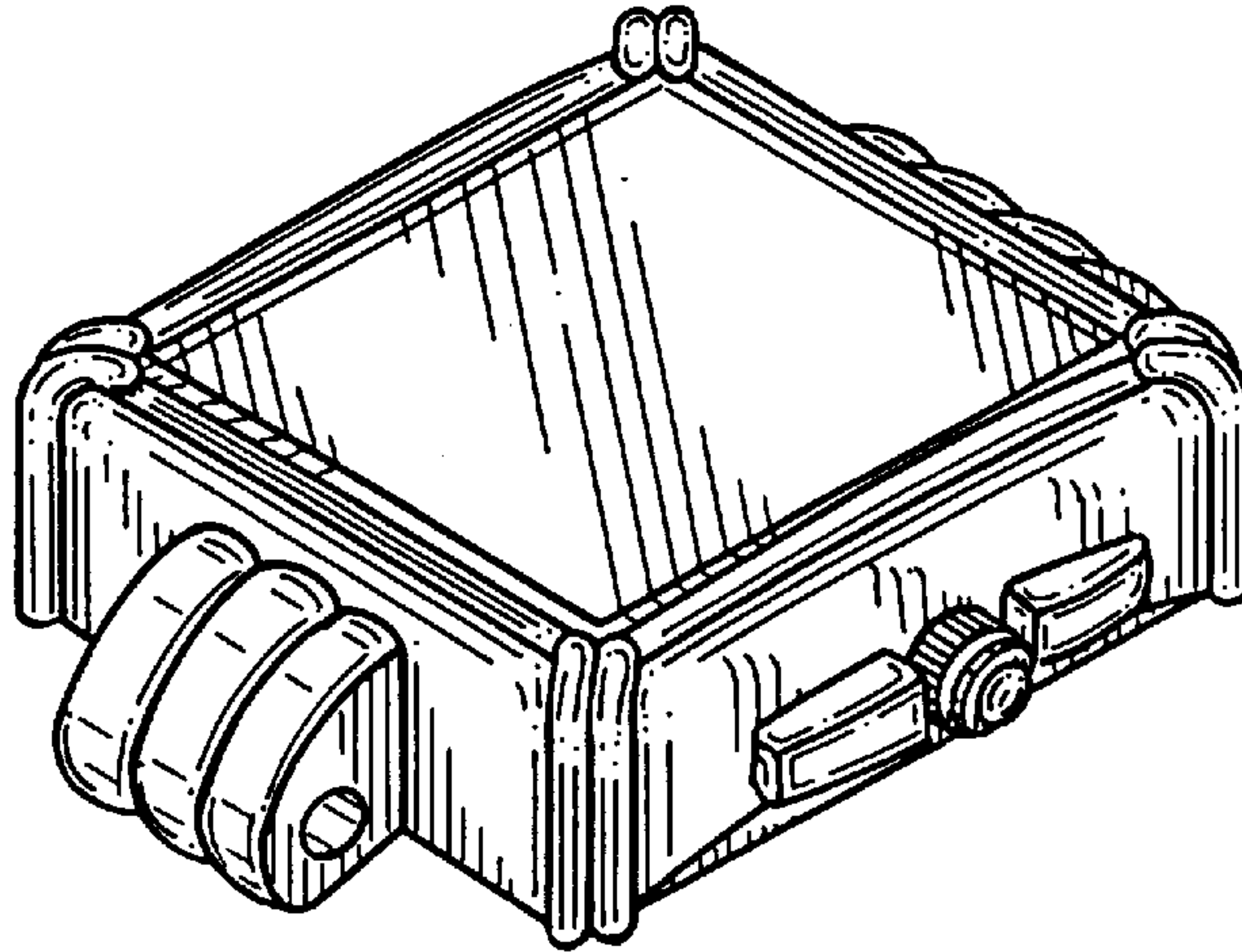
FIG. 6 is the other end elevational view thereof; and,

FIG. 7 is a bottom plan view thereof.

**1 Claim, 2 Drawing Sheets**



*FIG. 1*



*FIG. 7*

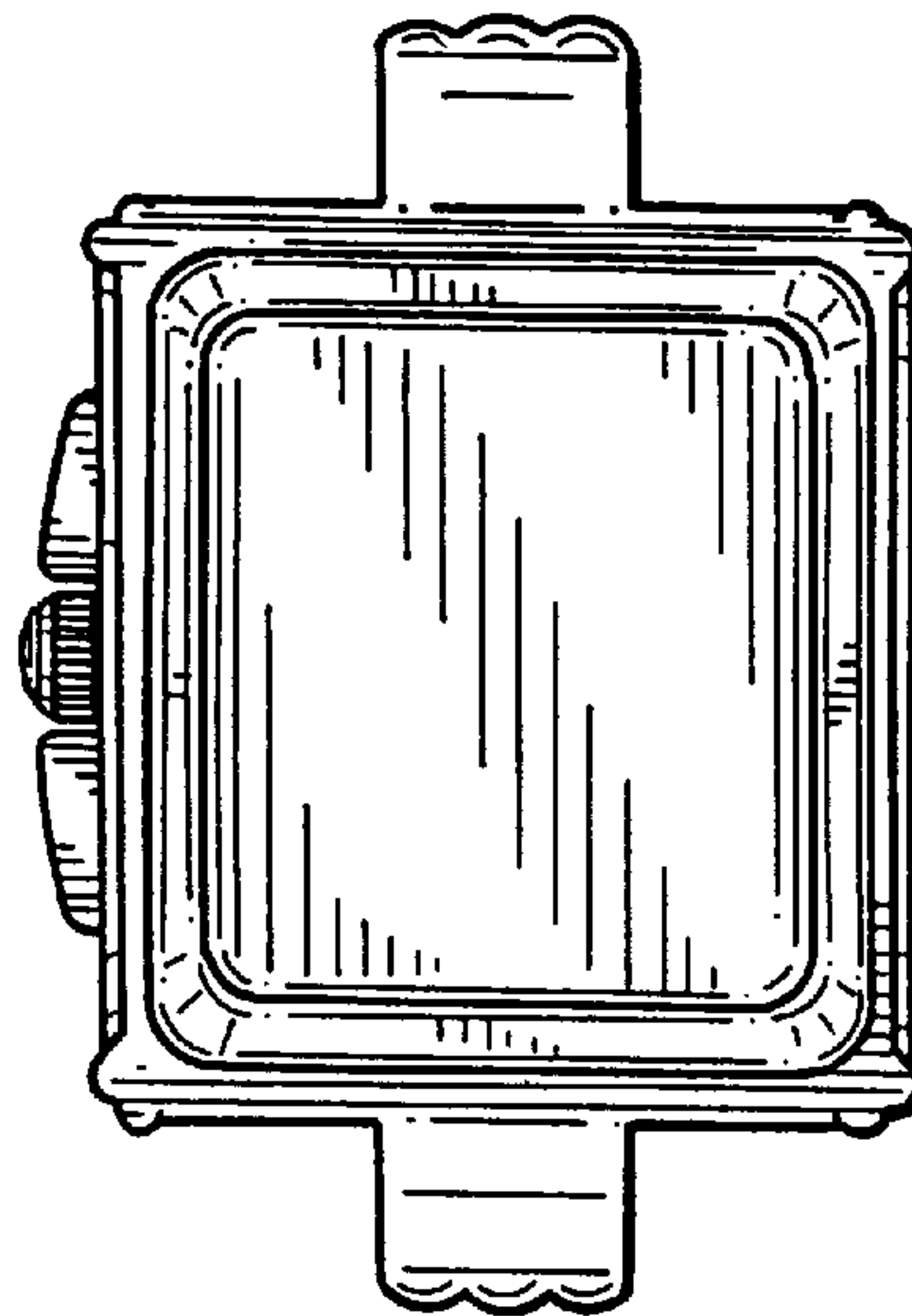


FIG. 2



FIG. 3

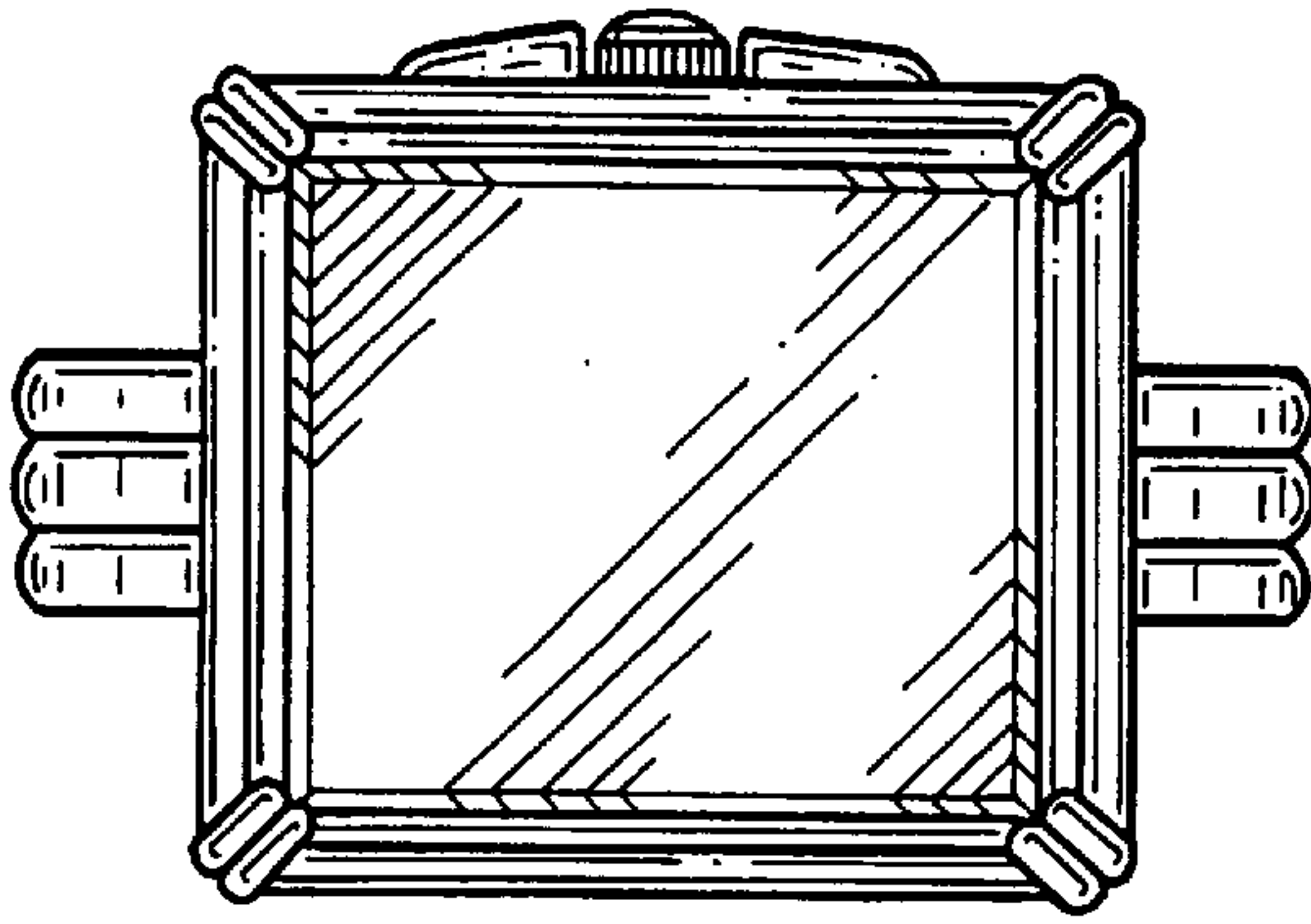


FIG. 4

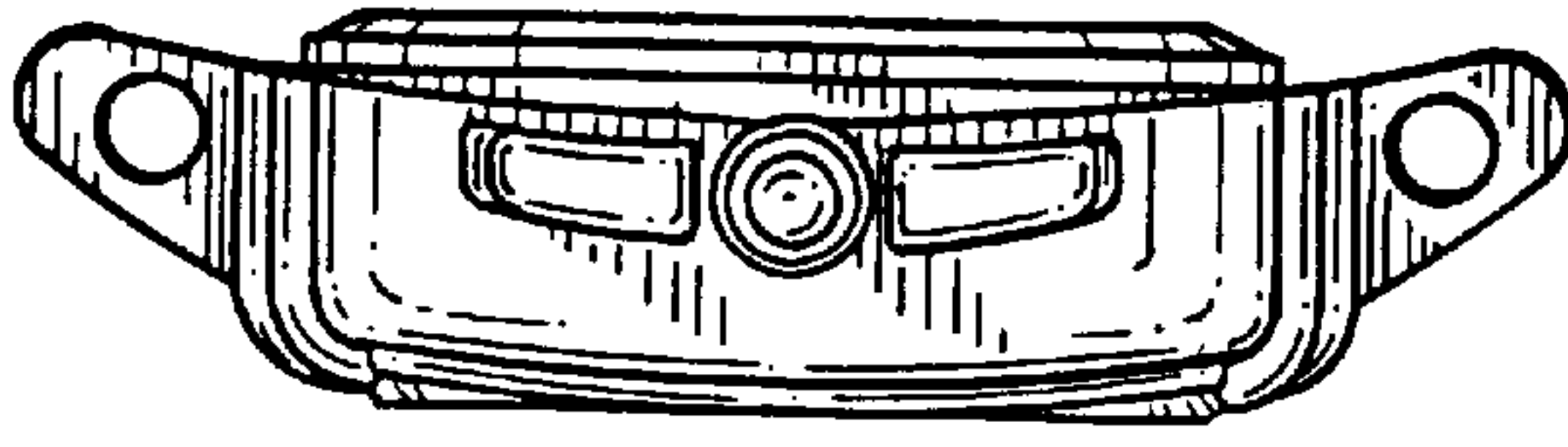


FIG. 5

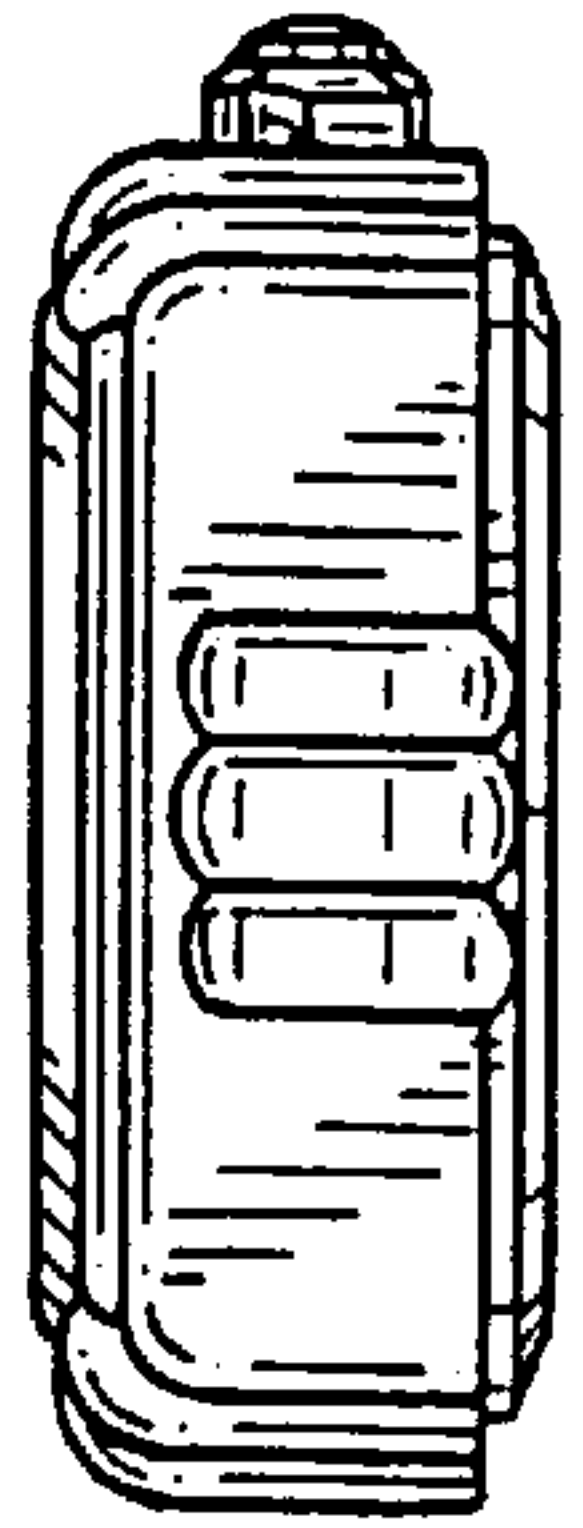


FIG. 6

