



US00D398854S

# United States Patent [19]

Beechuk et al.

[11] Patent Number: **Des. 398,854**

[45] Date of Patent: **\*\*Sep. 29, 1998**

[54] **BOTTLE WITH HANDLE**

[75] Inventors: **Timothy Jon Beechuk; Gerard Laurent Buisson**, both of Cincinnati, Ohio

[73] Assignee: **The Procter & Gamble Company**, Cincinnati, Ohio

[\*\*] Term: **14 Years**

[21] Appl. No.: **73,037**

[22] Filed: **Jun. 27, 1997**

[51] **LOC (6) Cl.** ..... **09-01**

[52] **U.S. Cl.** ..... **D9/531; D9/528; D9/566**

[58] **Field of Search** ..... **D9/553, 566, 528, D9/531; 215/382, 385, 396, 398**

[56] **References Cited**

**U.S. PATENT DOCUMENTS**

D. 95,989	9/1935	Sakier .....	D9/553 X
D. 155,134	9/1949	Dykstra .....	D58/8
D. 177,607	5/1956	Barq .....	D58/8
D. 199,936	12/1964	Neyman .....	D58/6
D. 208,215	8/1967	Campbell .....	D58/5
D. 214,421	6/1969	Campbell .....	D9/531
D. 223,807	6/1972	Thomson .....	D9/528
D. 264,436	5/1982	Pettengill .....	D9/385
D. 292,885	11/1987	Best et al. ....	D9/376
D. 304,423	11/1989	Beaver .....	D9/376
D. 311,134	10/1990	Maes .....	D9/378
D. 311,135	10/1990	Maes .....	D9/378
D. 312,397	11/1990	Wilbrink .....	D9/378
D. 315,678	3/1991	Darr .....	D9/392
D. 322,562	12/1991	Narsutis .....	D9/397
D. 327,007	6/1992	Olds .....	D9/520
D. 333,432	2/1993	Gonda et al. ....	D9/531
D. 340,190	10/1993	Skidmore et al. ....	D9/542
D. 341,086	11/1993	Feen .....	D9/531

D. 346,556	5/1994	Sirico et al. ....	D9/538
D. 366,421	1/1996	Best .....	D9/542
D. 369,555	5/1996	Heinz .....	D9/545
D. 369,556	5/1996	Lauder et al. ....	D9/553
D. 374,826	10/1996	Mackinson et al. ....	D9/542
D. 386,070	11/1997	Goldaracena .....	D9/335
D. 386,407	11/1997	Gutting et al. ....	D9/566 X
3,536,500	10/1970	Cleereman et al. ....	99/171
3,708,082	1/1973	Platte .....	215/1 C
4,372,455	2/1983	Cochran .....	215/100
4,446,969	5/1984	Tyler .....	206/519
4,579,260	4/1986	Young et al. ....	222/465 R
4,969,922	11/1990	Platte, Sr. ....	215/1 C
4,982,868	1/1991	Robbins, III .....	220/404
4,982,869	1/1991	Robbins, III .....	220/404
5,054,632	10/1991	Alberghini et al. ....	215/1 C
5,224,614	7/1993	Bono et al. ....	215/100 A
5,392,950	2/1995	Foss et al. ....	220/771

**FOREIGN PATENT DOCUMENTS**

761254 2/1989 Japan .

*Primary Examiner*—Lucy Lieberman  
*Attorney, Agent, or Firm*—Rodney M. Young

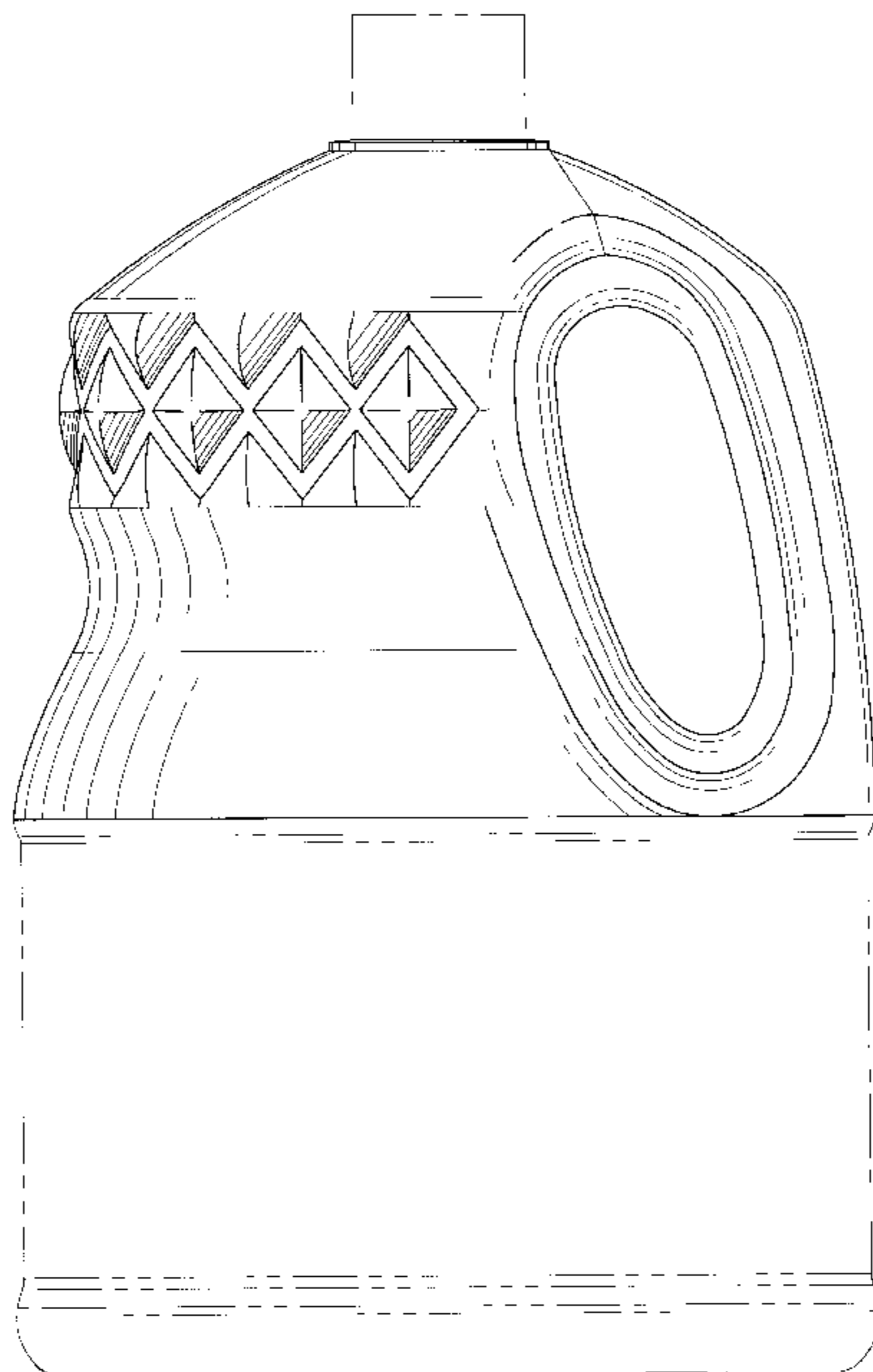
[57] **CLAIM**

The ornamental design for a bottle with handle, as shown and described.

**DESCRIPTION**

FIG. 1 is a perspective view of a bottle with handle, embodying our new design;  
FIG. 2 is a front elevational view thereof, the back elevational view thereof being a mirror image;  
FIG. 3 is a left side elevational view thereof;  
FIG. 4 is a right side elevational view thereof; and,  
FIG. 5 is a top view thereof.  
The broken lines shown in the figures are for illustrative purposes only, and form no part of the claimed invention.

**1 Claim, 5 Drawing Sheets**



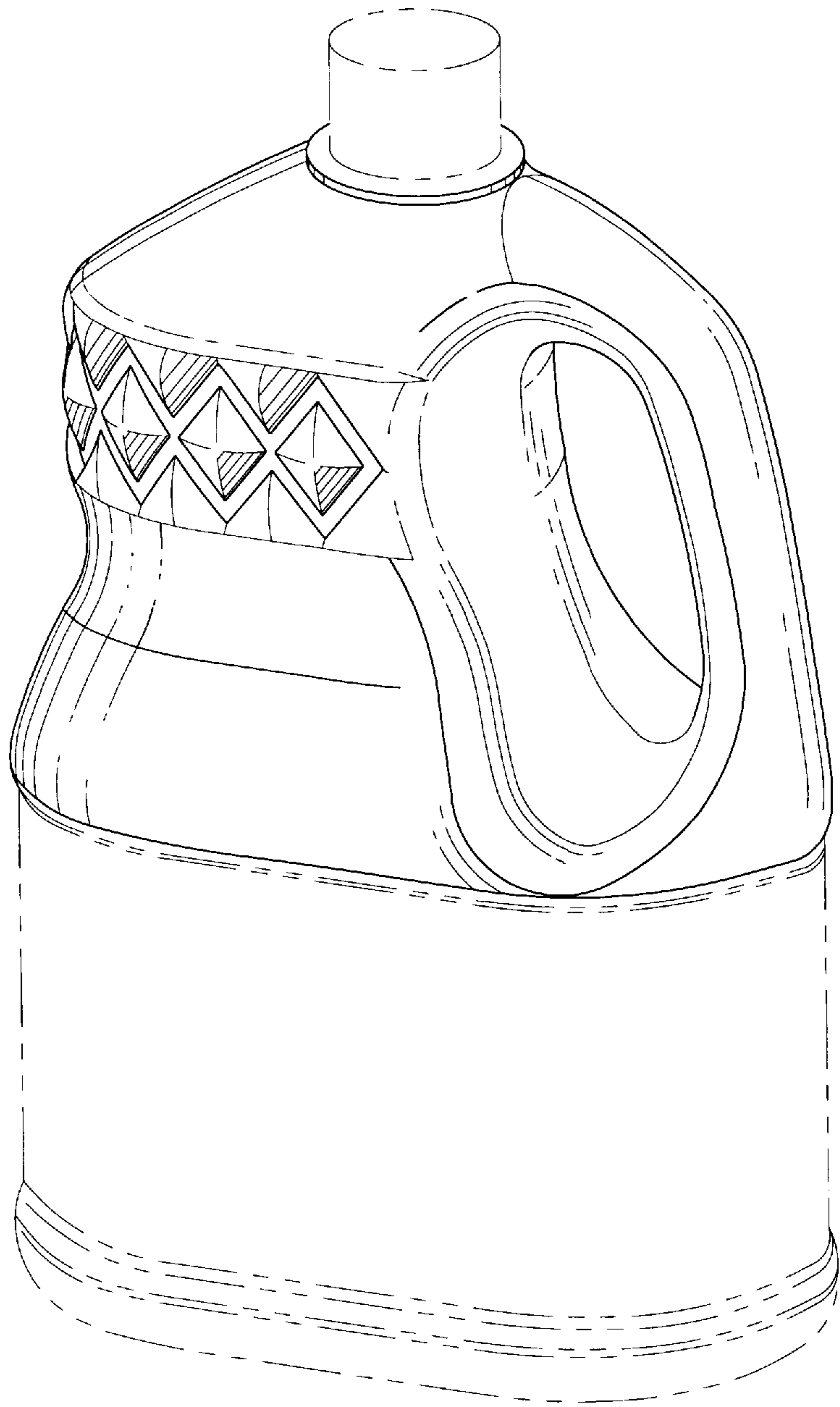


Fig. 1

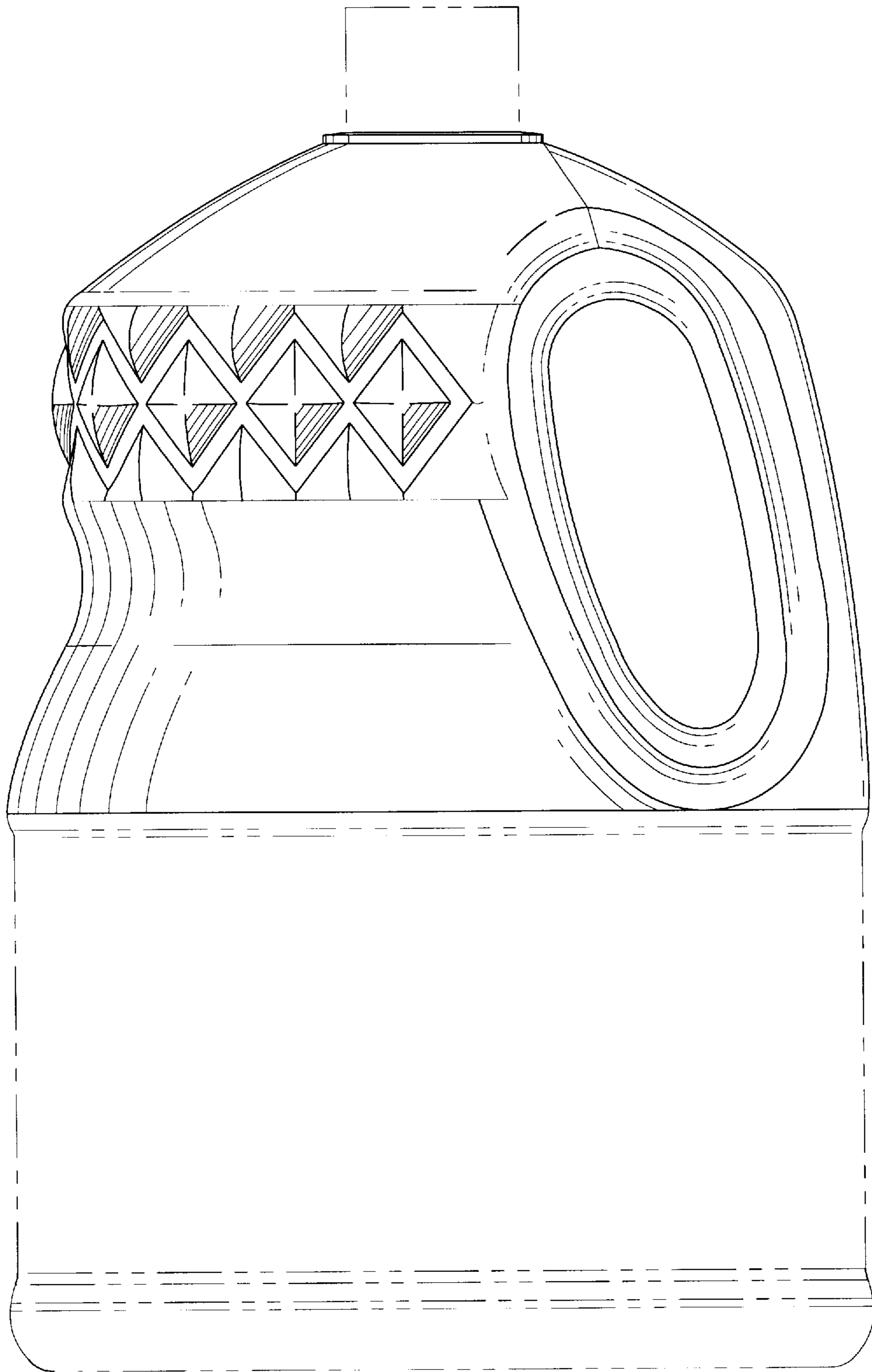


Fig. 2

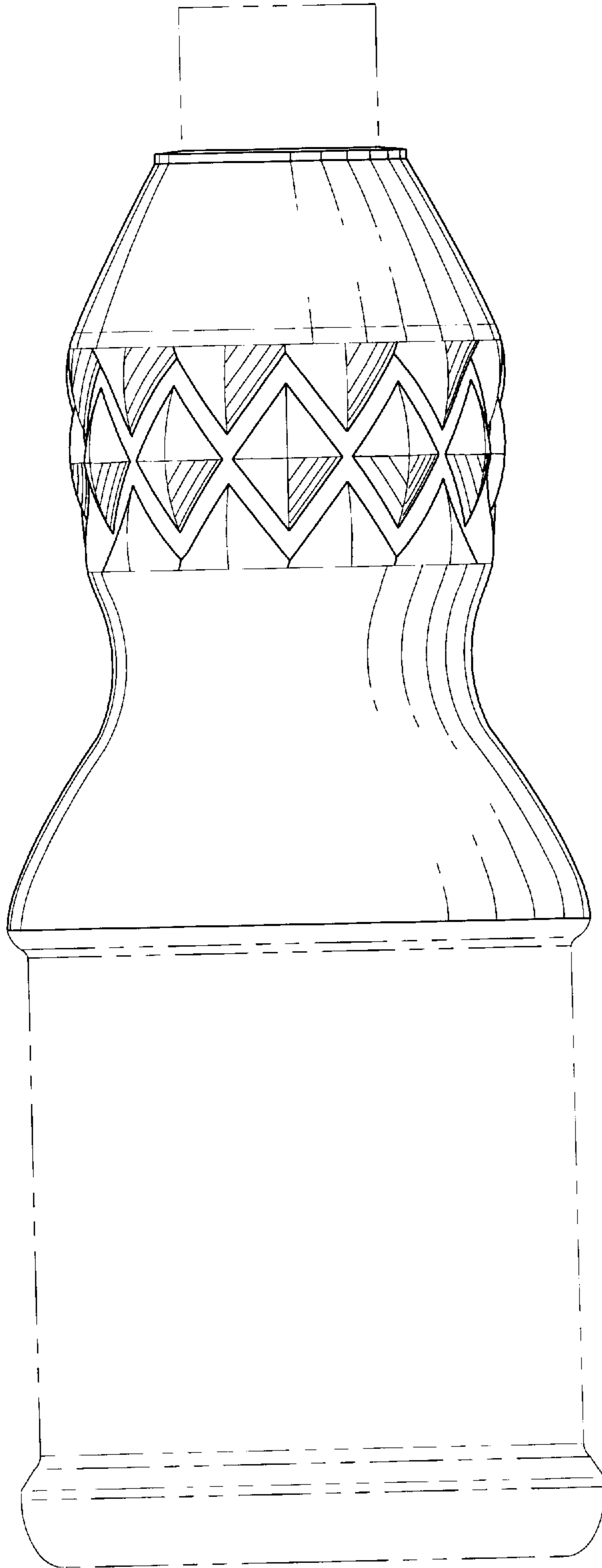


Fig. 3

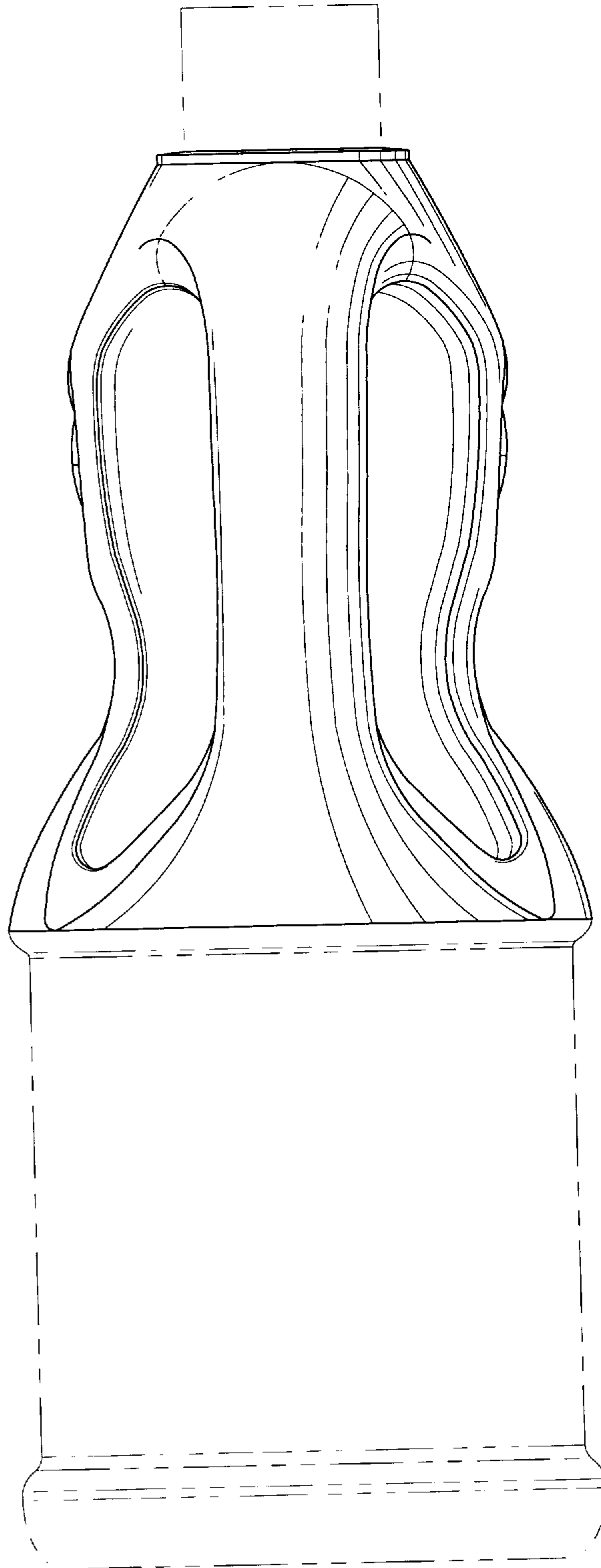


Fig. 4



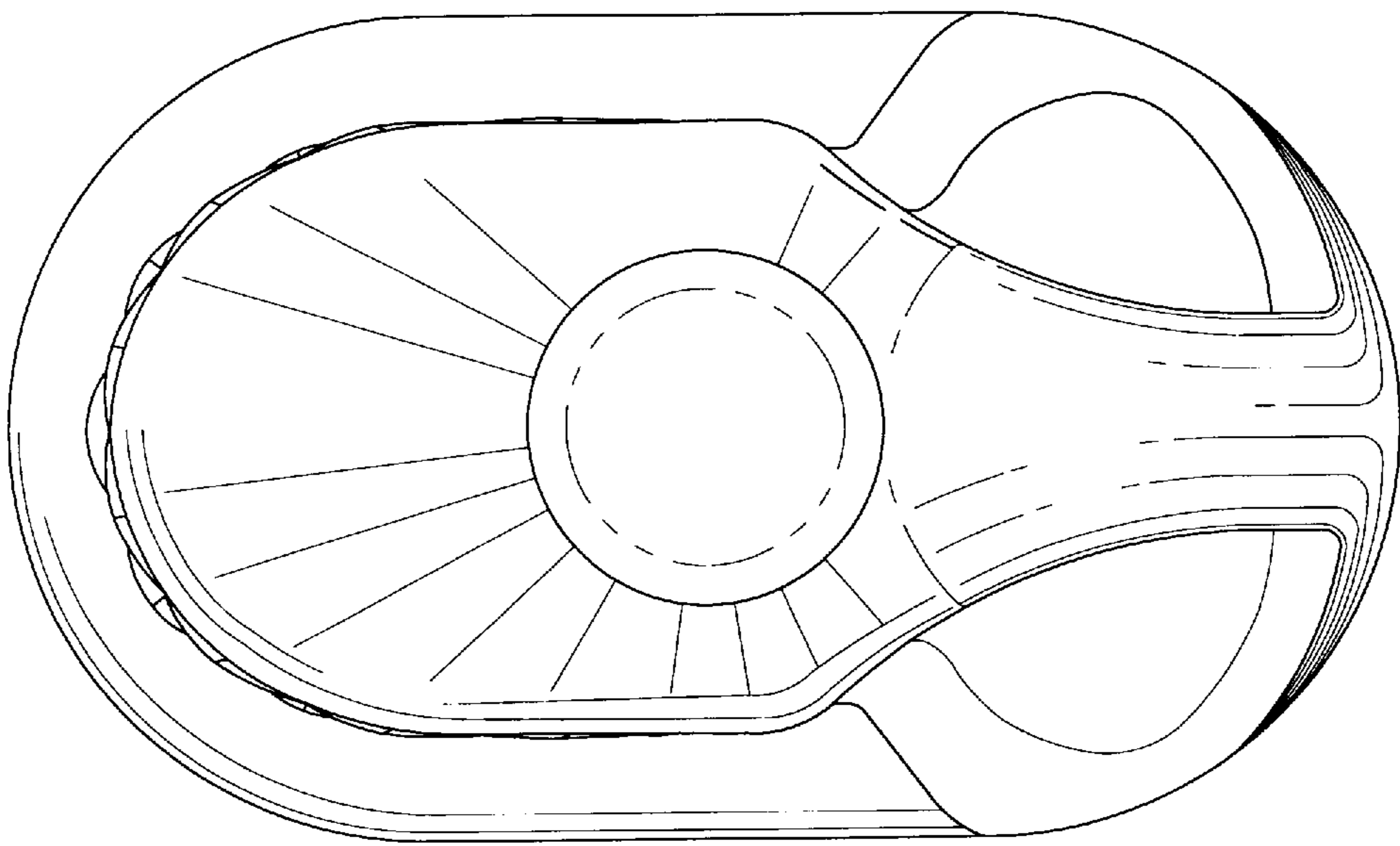


Fig. 5