



US00D398852S

United States Patent [19] Gross

[11] **Patent Number: Des. 398,852**

[45] **Date of Patent: **Sep. 29, 1998**

[54] **SLANT TOP CLOSURE FOR A CONTAINER**

[75] Inventor: **Richard A. Gross**, Oconomowoc, Wis.

[73] Assignee: **AptarGroup, Inc.**, Crystal Lake, Ill.

[**] Term: **14 Years**

[21] Appl. No.: **72,855**

[22] Filed: **Jun. 26, 1997**

[51] **LOC (6) Cl.** **09-07**

[52] **U.S. Cl.** **D9/453; D9/449**

[58] **Field of Search** D9/435, 440, 447,
D9/448, 449, 452, 453, 454; 215/235, 237;
220/339; 222/556, 562

[56] **References Cited**

U.S. PATENT DOCUMENTS

D. 223,900	6/1972	Douglas	D9/449
D. 292,882	11/1987	Gross	.	
D. 306,978	4/1990	Paulovich	D9/447
D. 310,786	9/1990	Lay et al.	.	
D. 318,231	7/1991	Lay et al.	.	
D. 319,014	8/1991	Di Nuccio	D9/435 X
D. 370,845	6/1996	Sherman et al.	D9/447 X
4,723,669	2/1988	Barriac	215/237 X
5,190,176	3/1993	Lavange	215/235
5,642,824	7/1997	Hess, III et al.	215/235

OTHER PUBLICATIONS

Photographs 1-A, 1-B, 1-C, and 1-D of a first closure; Photographs 2-A, 2-B, 2-C, and 2-D of a second closure; Photographs 3-A, 3-B, 3-C, and 3-D of a third closure; Photographs 4-A, 4-B, 4-C, and 4-D of a fourth closure; Photographs 5-A, 5-B, 5-C, and 5-D of a fifth closure; Photographs 6-A, 6-B, 6-C, and 6-D of a sixth closure; Photographs 7-A, 7-B, 7-C, and 7-D of a seventh closure; and Photographs 8-A, 8-B, 8-C, and 8-D of an eighth closure. The subject of matter shown therein was in use prior to the filing at the application.

Primary Examiner—James Gandy

Assistant Examiner—Cathron B. Matta

Attorney, Agent, or Firm—Rockey, Milnamow & Katz, Ltd.

[57] **CLAIM**

The ornamental design for a slant top closure for a container, as shown and described.

DESCRIPTION

FIG. 1 is a perspective view of the slant top closure for a container showing my new design; FIG. 2 is a top plan view thereof; FIG. 3 is a front elevational view thereof; FIG. 4 is a right side elevational view thereof, the left side elevational view thereof being a mirror image; and, FIG. 5 is a rear elevational view thereof.

1 Claim, 2 Drawing Sheets

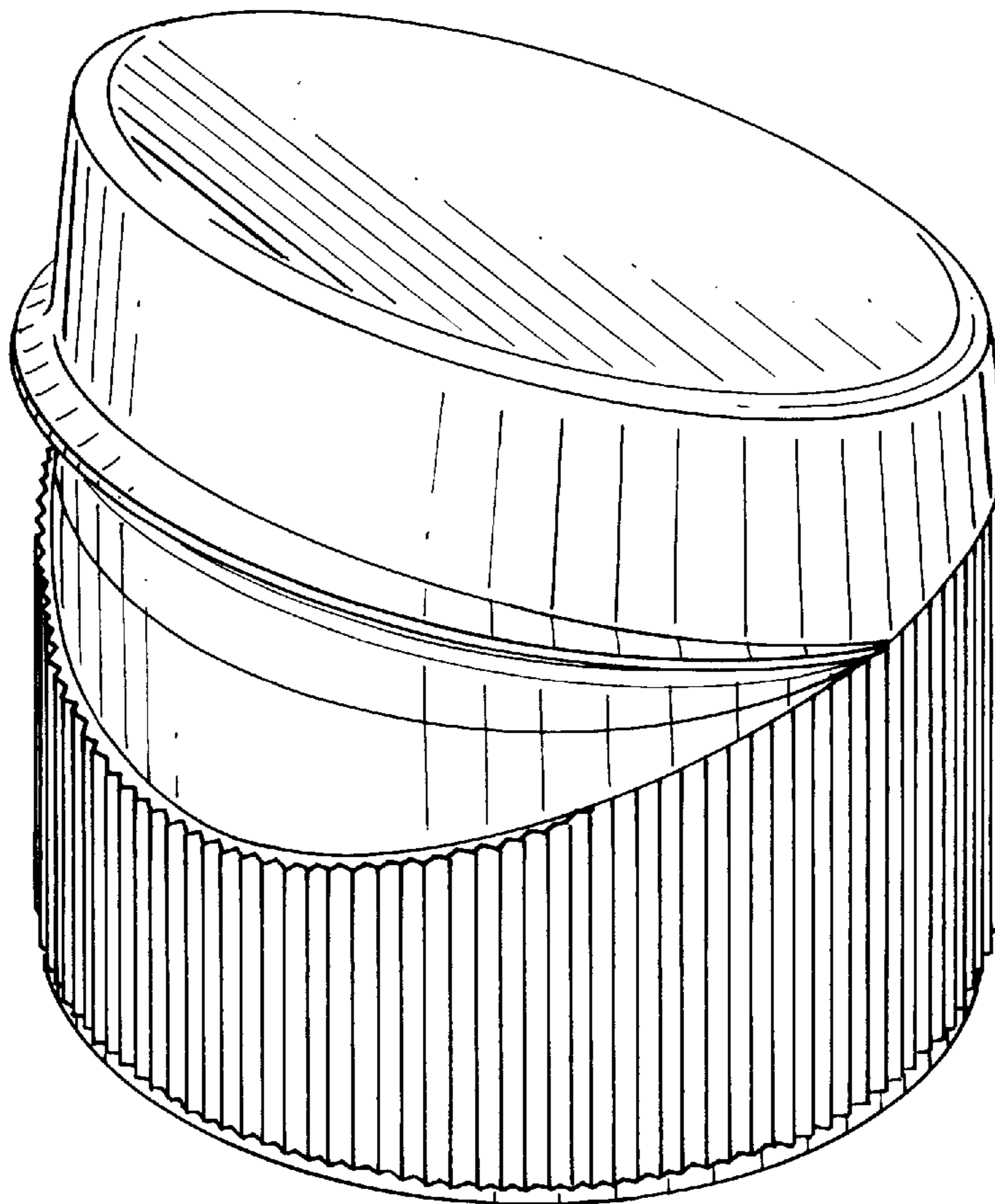


FIG. 1

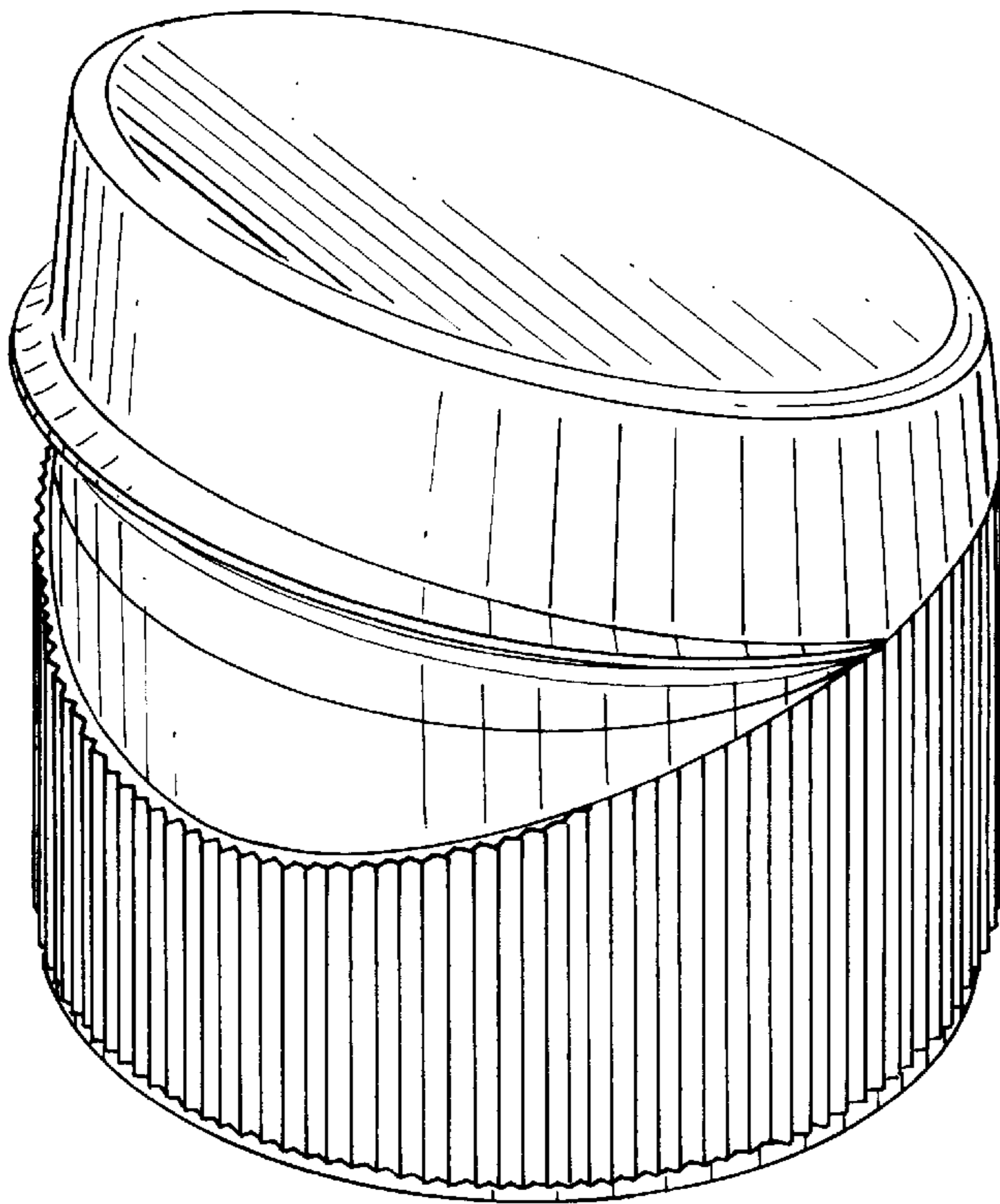


FIG. 2

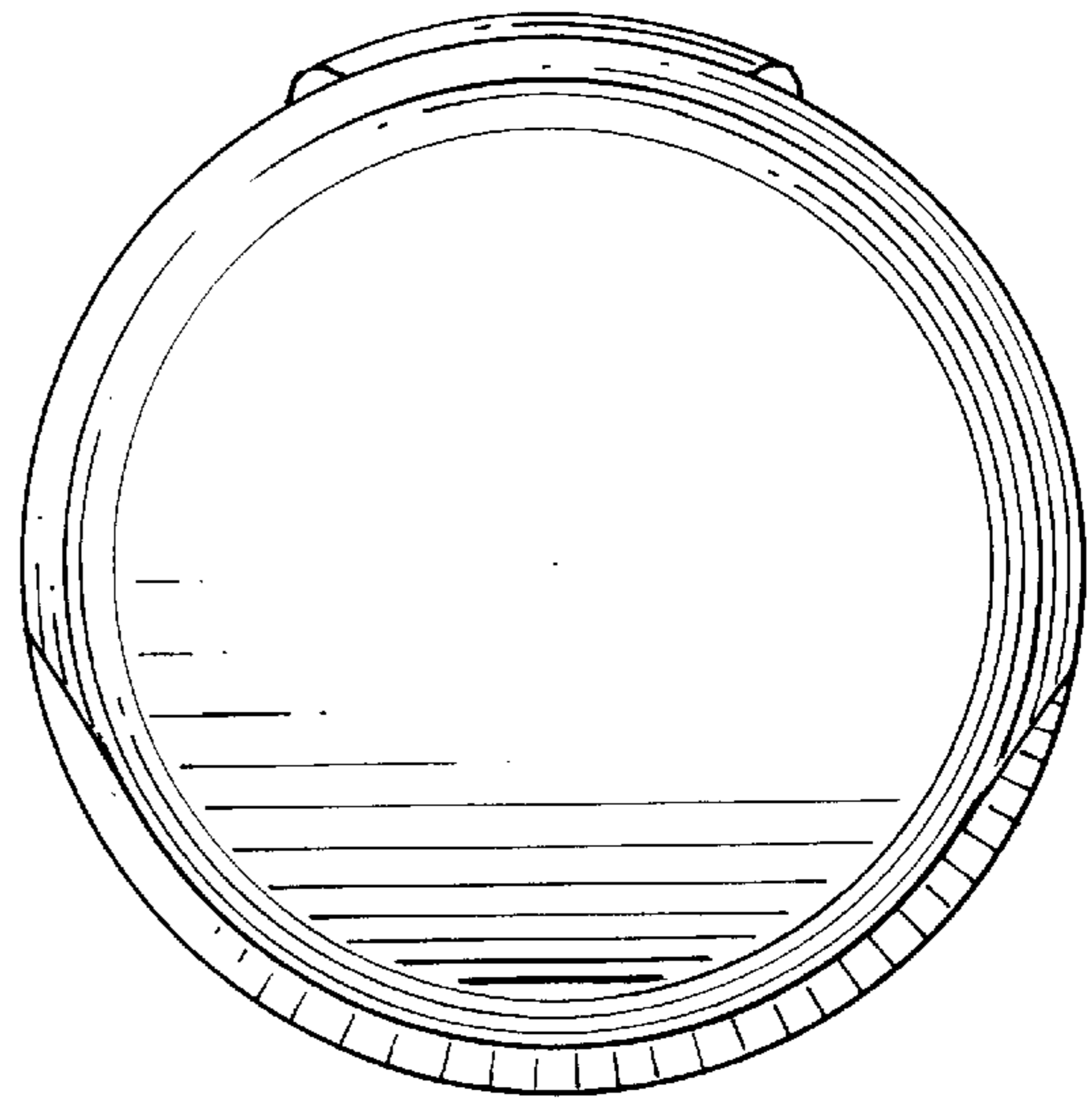


FIG. 3

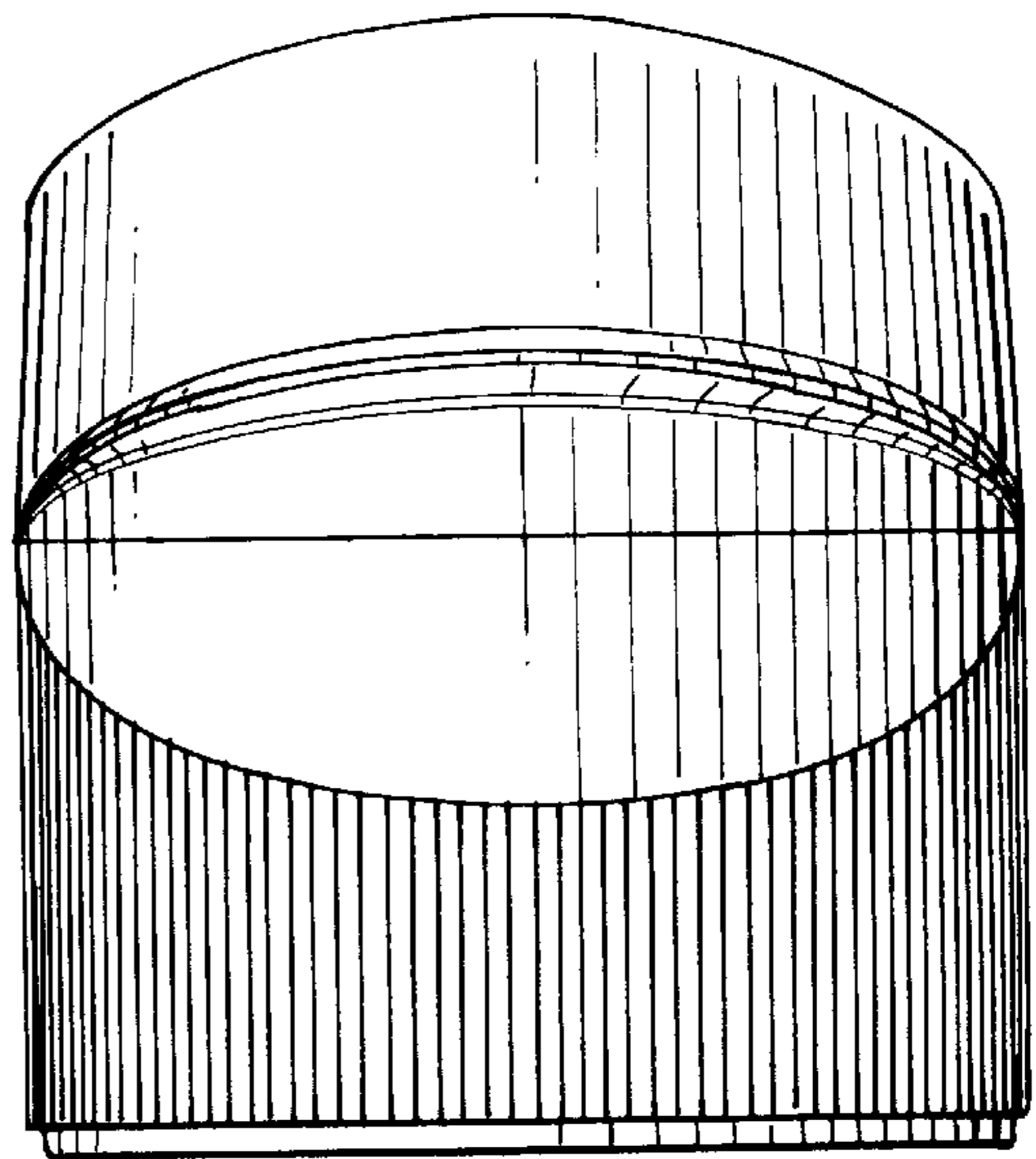


FIG. 4

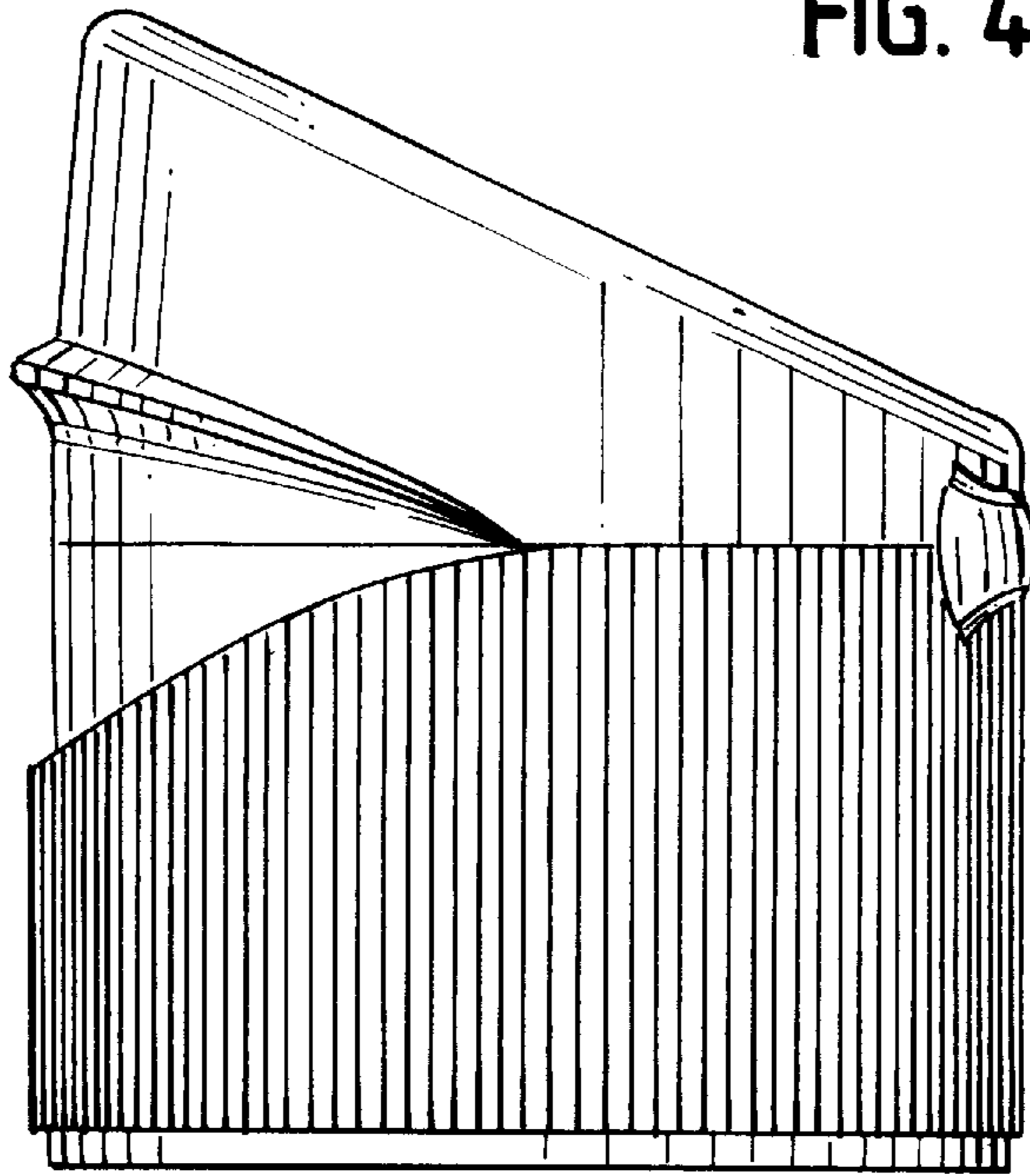


FIG. 5

