



US00D398845S

United States Patent [19]
Wyslotsky

[11] **Patent Number: Des. 398,845**

[45] **Date of Patent: **Sep. 29, 1998**

[54] **FOOD PACKAGE**

[76] Inventor: **Ihor Wyslotsky**, 6133 N. Forest Glen,
Chicago, Ill. 60646

[**] Term: **14 Years**

[21] Appl. No.: **69,041**

[22] Filed: **Mar. 18, 1997**

[51] **LOC (6) Cl.** **09-07**

[52] **U.S. Cl.** **D9/425; D9/418**

[58] **Field of Search** D9/422, 425, 428,
D9/429, 430, 414, 418, 341; 206/541, 770-773,
775-783, 508; 227/109, 116.1, 406, 4.5,
938; 210/556

[56] **References Cited**

U.S. PATENT DOCUMENTS

D. 287,336	12/1986	Roehrig	D9/423 X
D. 338,186	8/1993	Halwes	D9/430 X
D. 339,744	9/1993	Seppala	D9/425
D. 341,316	11/1993	Fritz et al.	D9/425 X
D. 364,090	11/1995	Krupa	D9/423 X

3,933,296	1/1976	Ruskin et al.	229/406
3,935,962	2/1976	Schubert et al.	229/406 X
4,248,901	2/1981	Austin	229/109 X
5,351,880	10/1994	Goudreau	229/109 X

OTHER PUBLICATIONS

Tenneco Packaging, p. 80, May 1996.

Primary Examiner—Prabhakar G. Deshmukh
Attorney, Agent, or Firm—Hill & Simpson

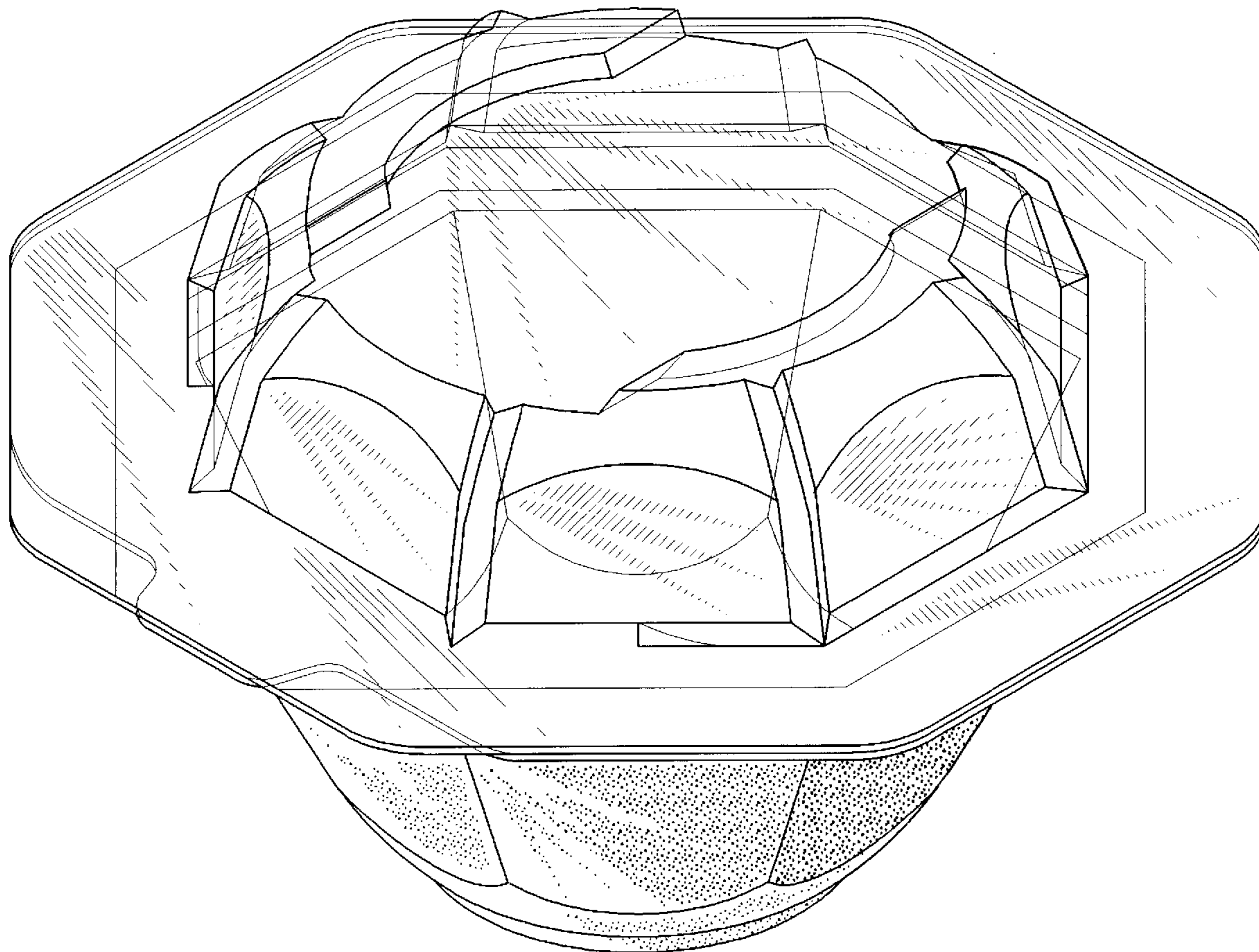
[57] **CLAIM**

The ornamental design for a food package, as shown.

DESCRIPTION

FIG. 1 is a perspective view thereof;
FIG. 2 is a top view thereof;
FIG. 3 is a bottom view thereof;
FIG. 4 is a right side view thereof;
FIG. 5 is a left side view thereof;
FIG. 6 is a front view thereof; and,
FIG. 7 is a back view of the present design.

1 Claim, 4 Drawing Sheets



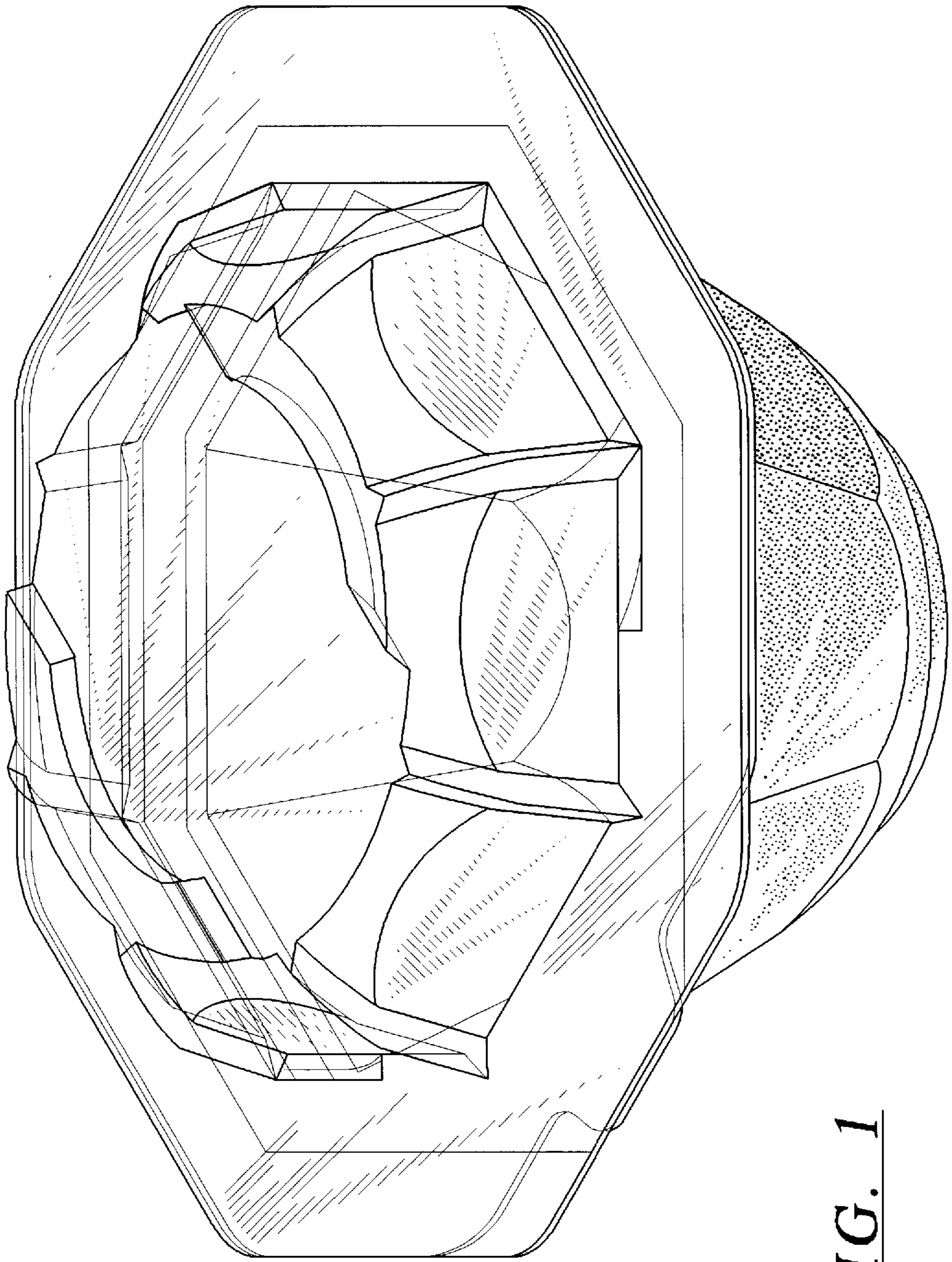


FIG. 1

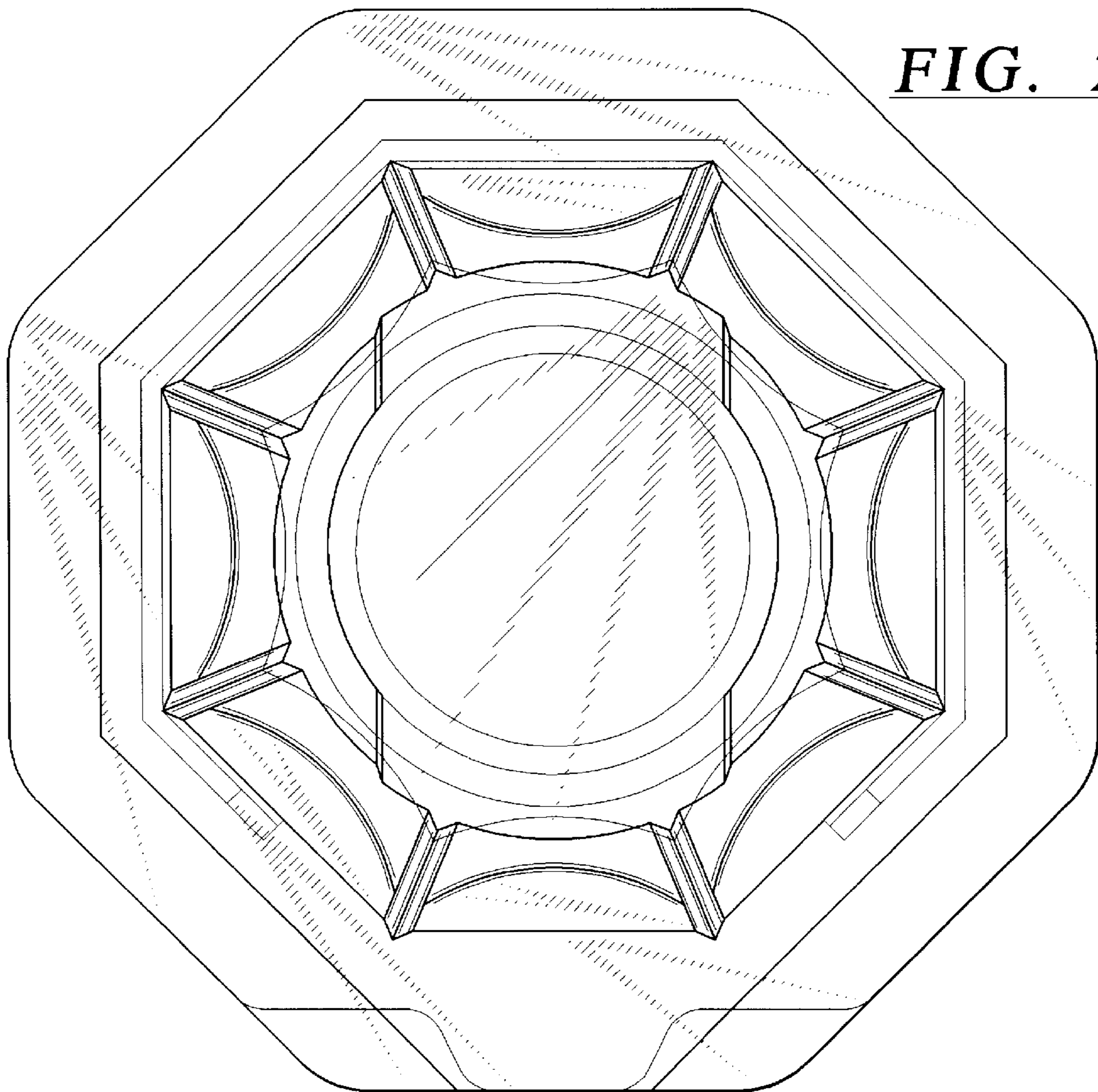


FIG. 2

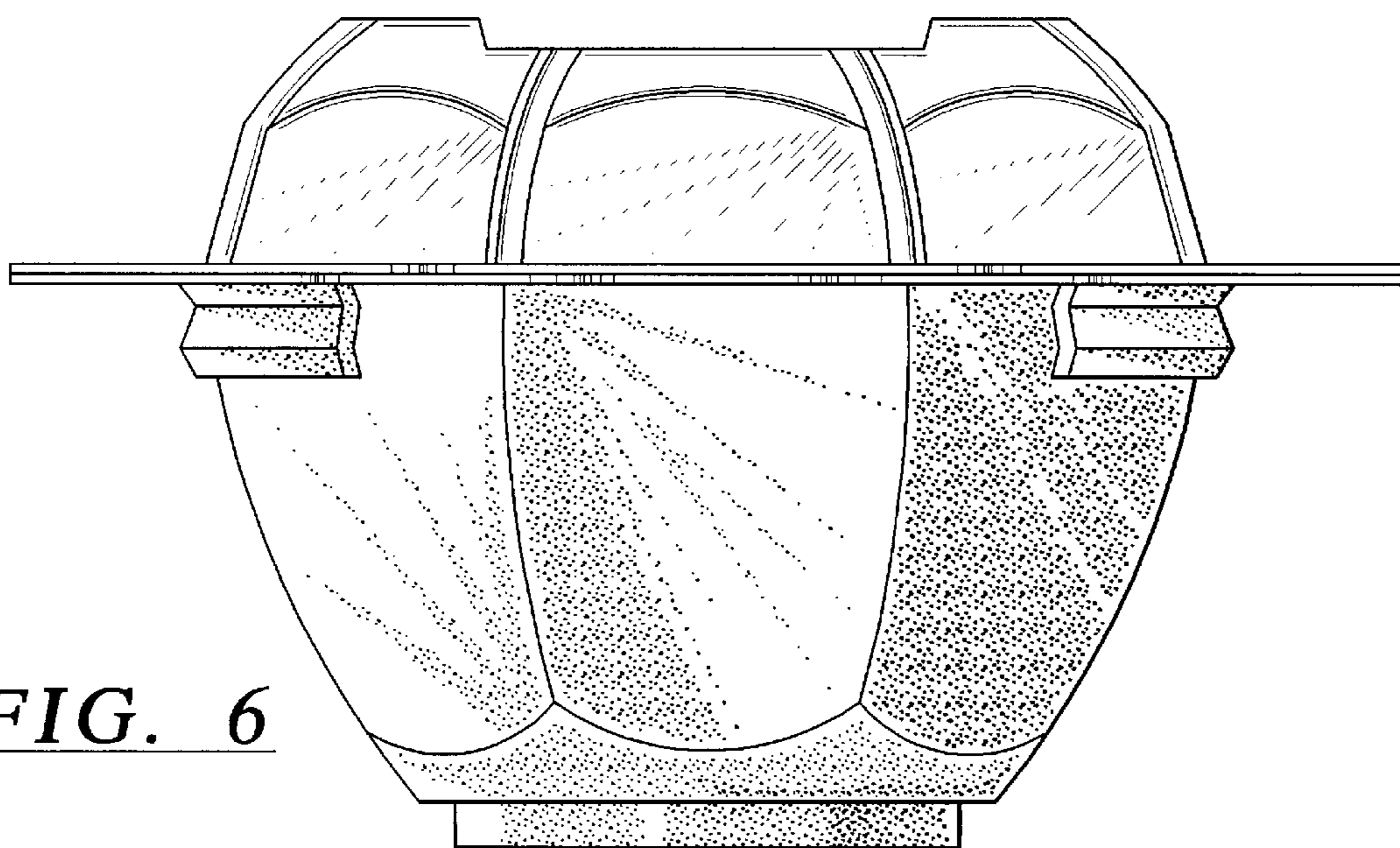


FIG. 6

FIG. 3

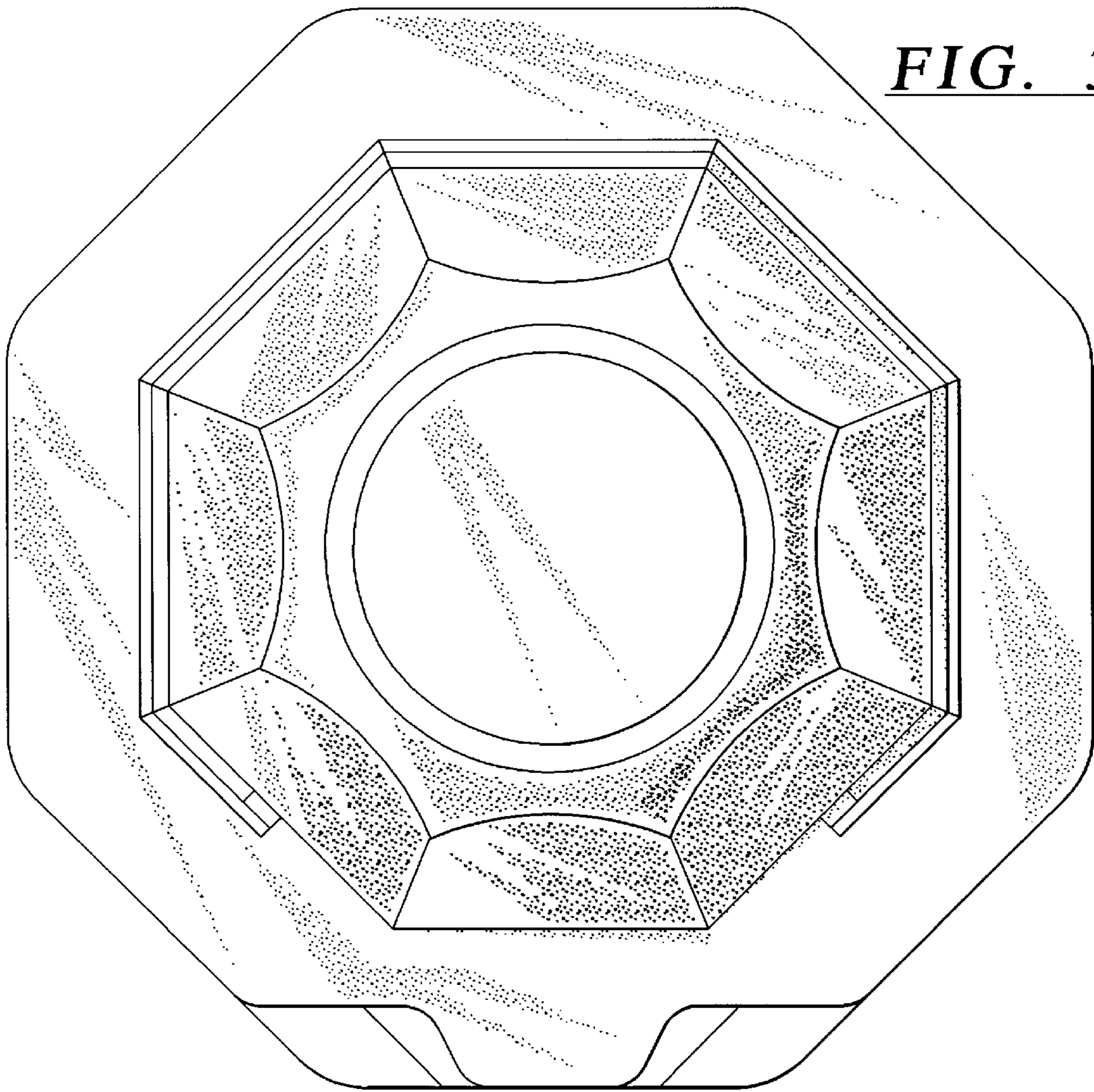


FIG. 7

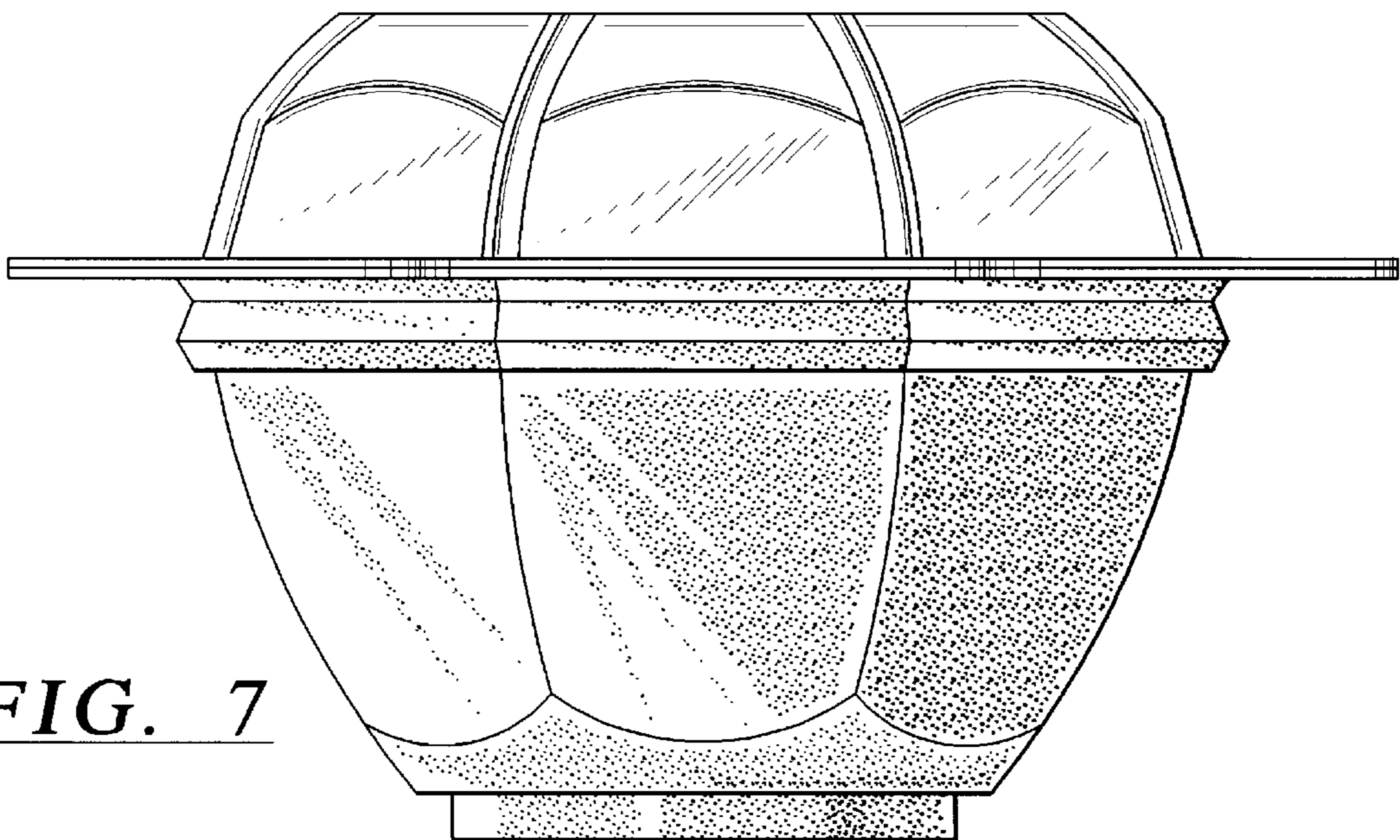


FIG. 4

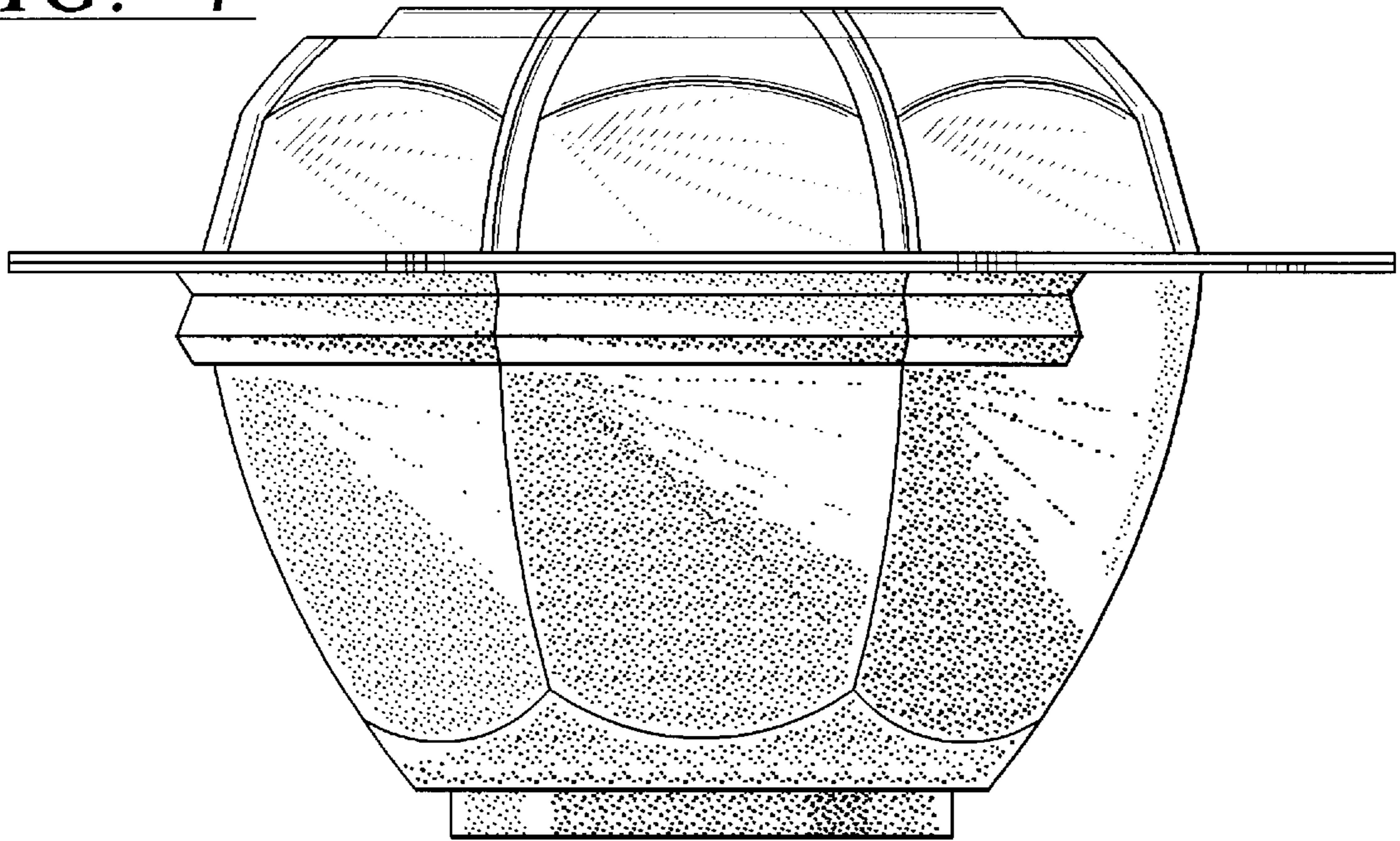


FIG. 5

