



US00D398842S

United States Patent [19] Röhrig

[11] **Patent Number: Des. 398,842**

[45] **Date of Patent: **Sep. 29, 1998**

[54] **CONTAINER FOR PACIFIERS**

[75] Inventor: **Peter Röhrig**, Vienna, Austria

[73] Assignee: **Mam Bayartikel Gesellschaft M.B.H.**,
Vienna, Austria

[**] Term: **14 Years**

[21] Appl. No.: **51,010**

[22] Filed: **Mar. 1, 1996**

Related U.S. Application Data

[63] Continuation of Ser. No. 27,271, Aug. 17, 1994, abandoned.

[30] Foreign Application Priority Data

Feb. 17, 1994 [AT] Austria MU575/94

[51] **LOC (6) Cl.** **09-03**

[52] **U.S. Cl.** **D9/415; D3/282; D3/201**

[58] **Field of Search** **D3/282, 273, 294;**
D9/415, 424, 420, 425, 426; 446/76; 206/45.34,
45.31, 461

[56] References Cited

U.S. PATENT DOCUMENTS

D. 305,000 12/1989 Hernandez D9/415

| | | | | |
|------------|---------|---------|-------|--------|
| D. 305,733 | 1/1990 | Ferris | | D9/415 |
| D. 309,430 | 7/1990 | Cramer | | D9/415 |
| D. 331,361 | 12/1992 | Langolf | | D9/415 |
| D. 343,356 | 1/1994 | Wittman | | D9/415 |
| D. 343,731 | 2/1994 | Tsumita | | D3/282 |
| 4,285,157 | 8/1981 | Lambert | | 446/76 |

Primary Examiner—Philip S. Hyder
Attorney, Agent, or Firm—Abelman, Frayne & Schwab

[57] CLAIM

The ornamental design for a container for pacifiers, as shown and described.

DESCRIPTION

FIG. 1 is a front perspective view of a container for pacifiers, showing my new design, when in a closed position;

FIG. 2 is a right side elevational view thereof;

FIG. 3 is a left side elevational view thereof;

FIG. 4 is a rear elevational view thereof, the front elevational view being a mirror image;

FIG. 5 is a bottom plan view thereof, the top plan view being a mirror image; and,

FIG. 6 is a front elevational view thereof, when in an open position.

1 Claim, 3 Drawing Sheets

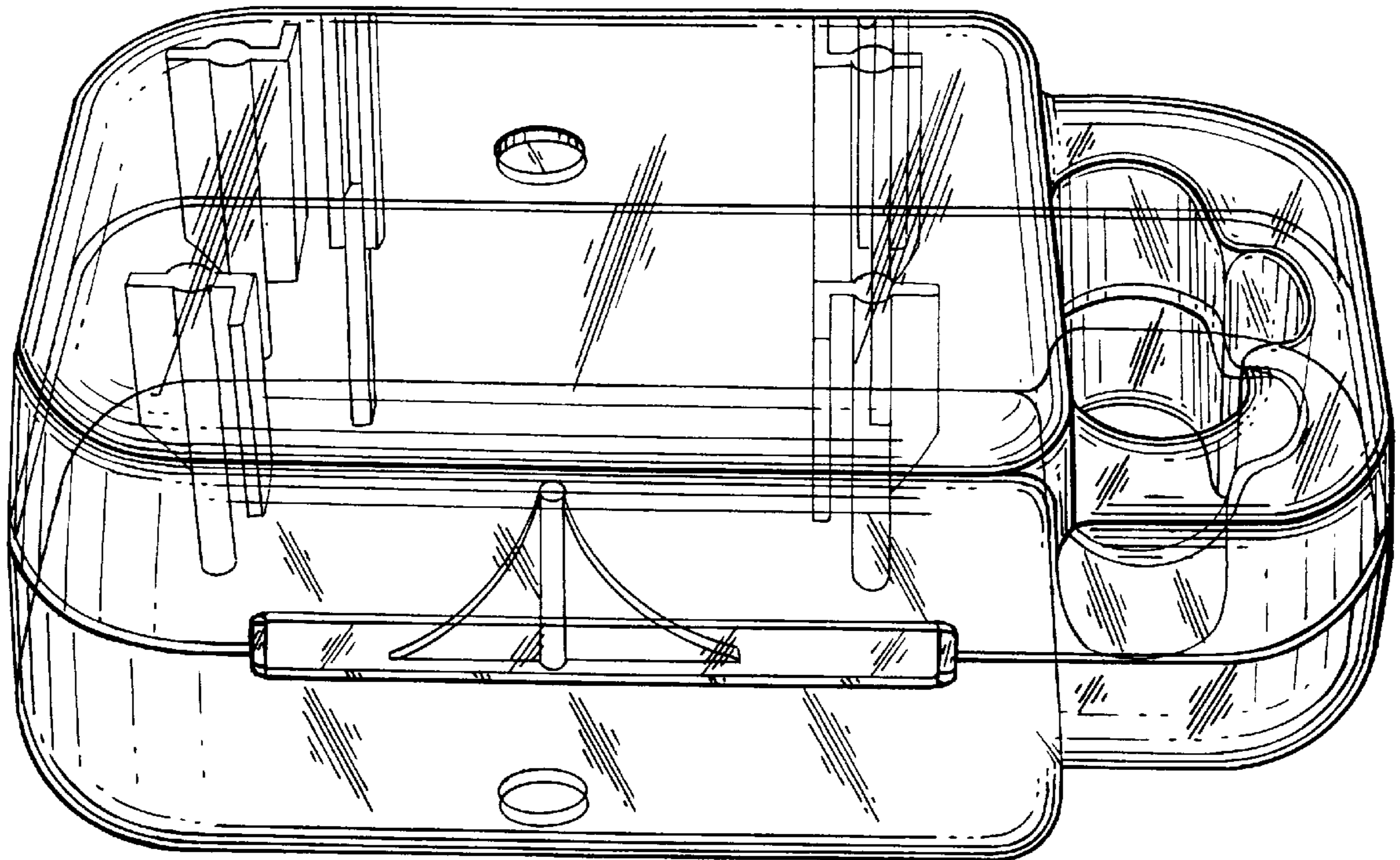


FIG. 1

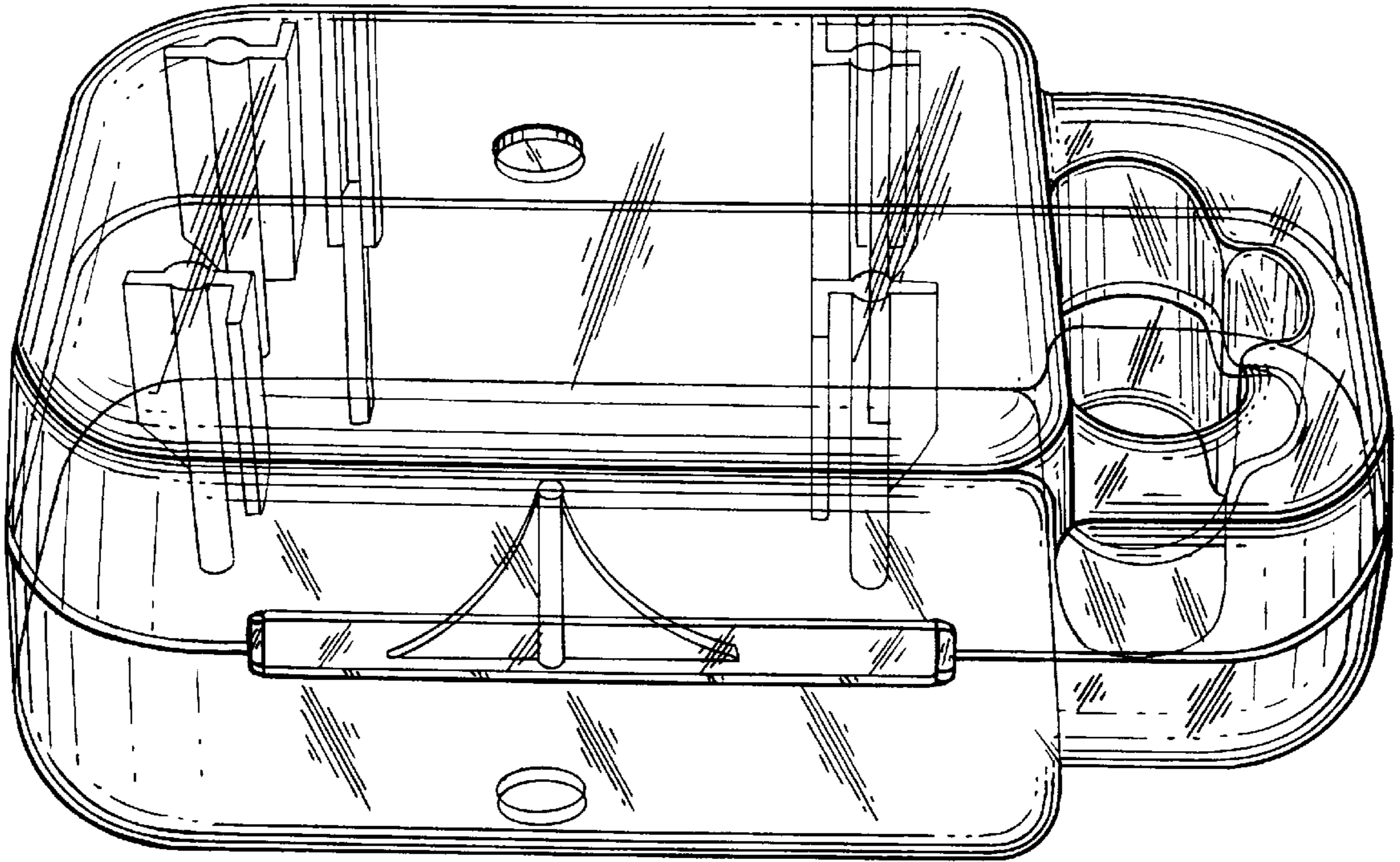


FIG. 2

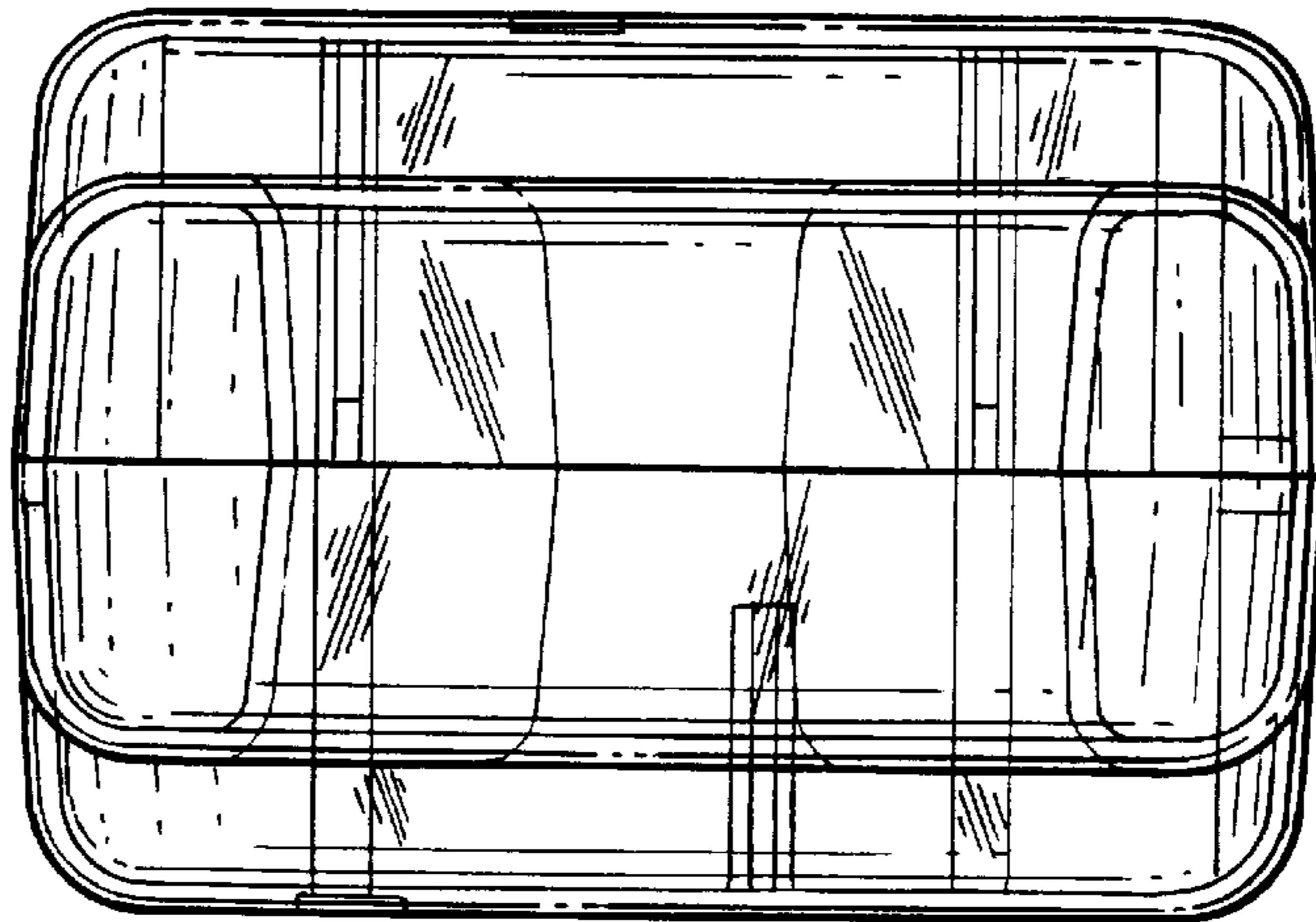


FIG. 3

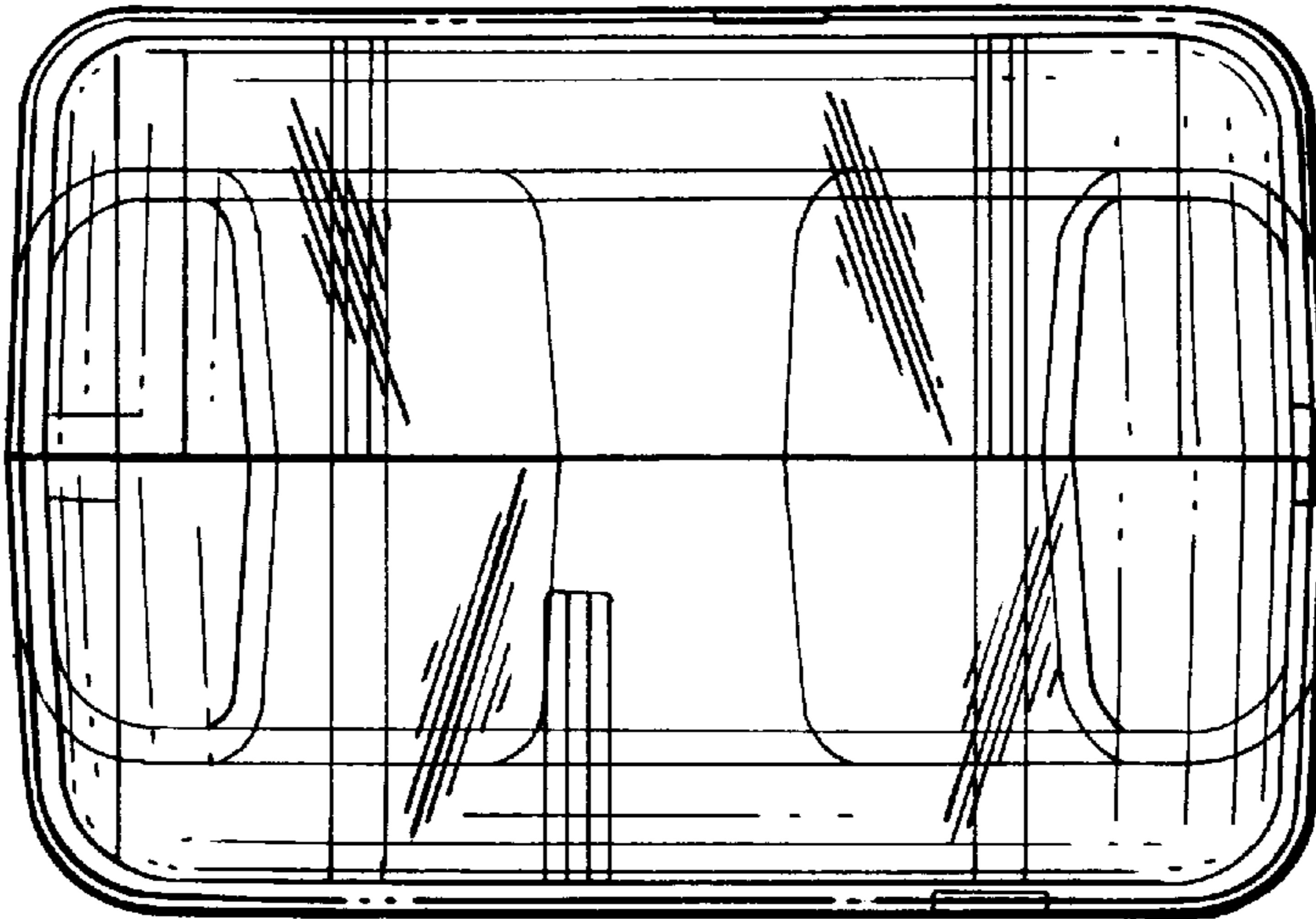


FIG. 4

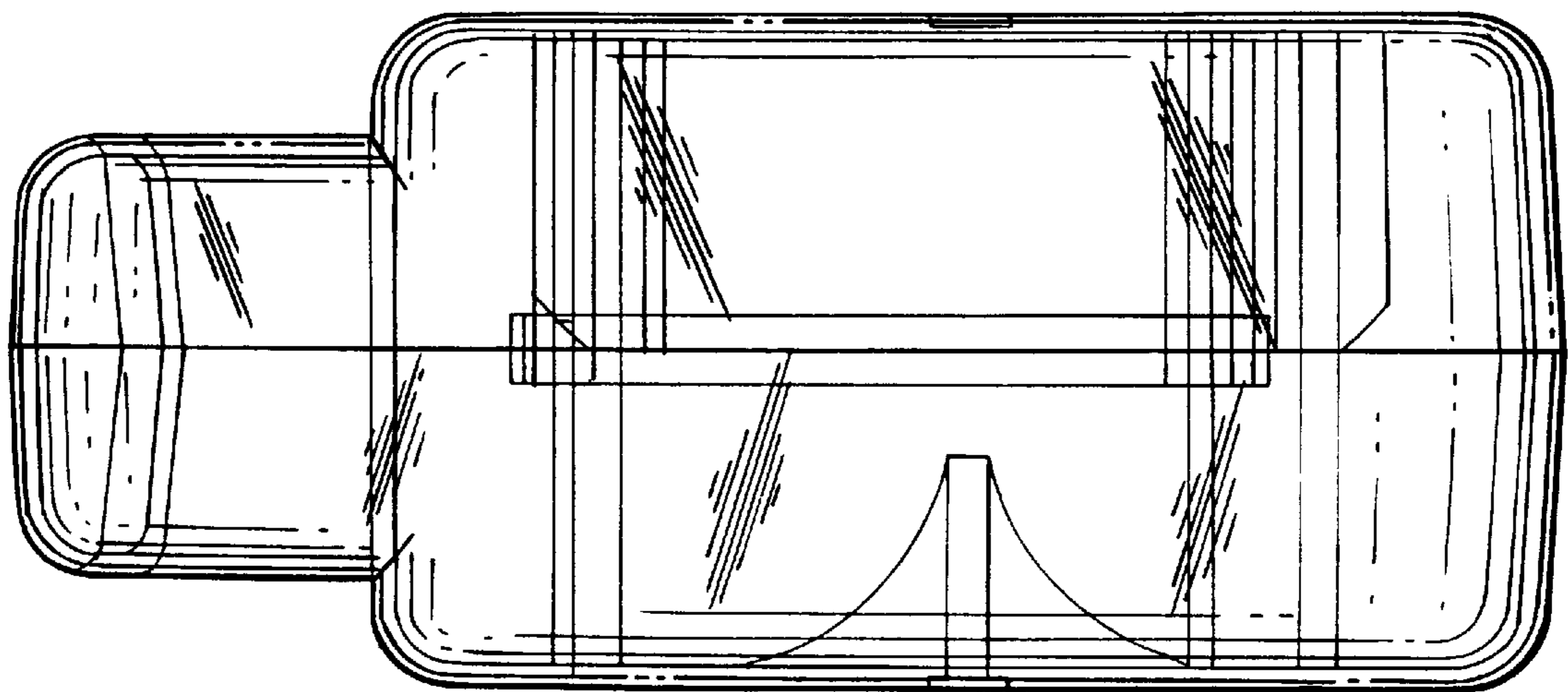


FIG. 5

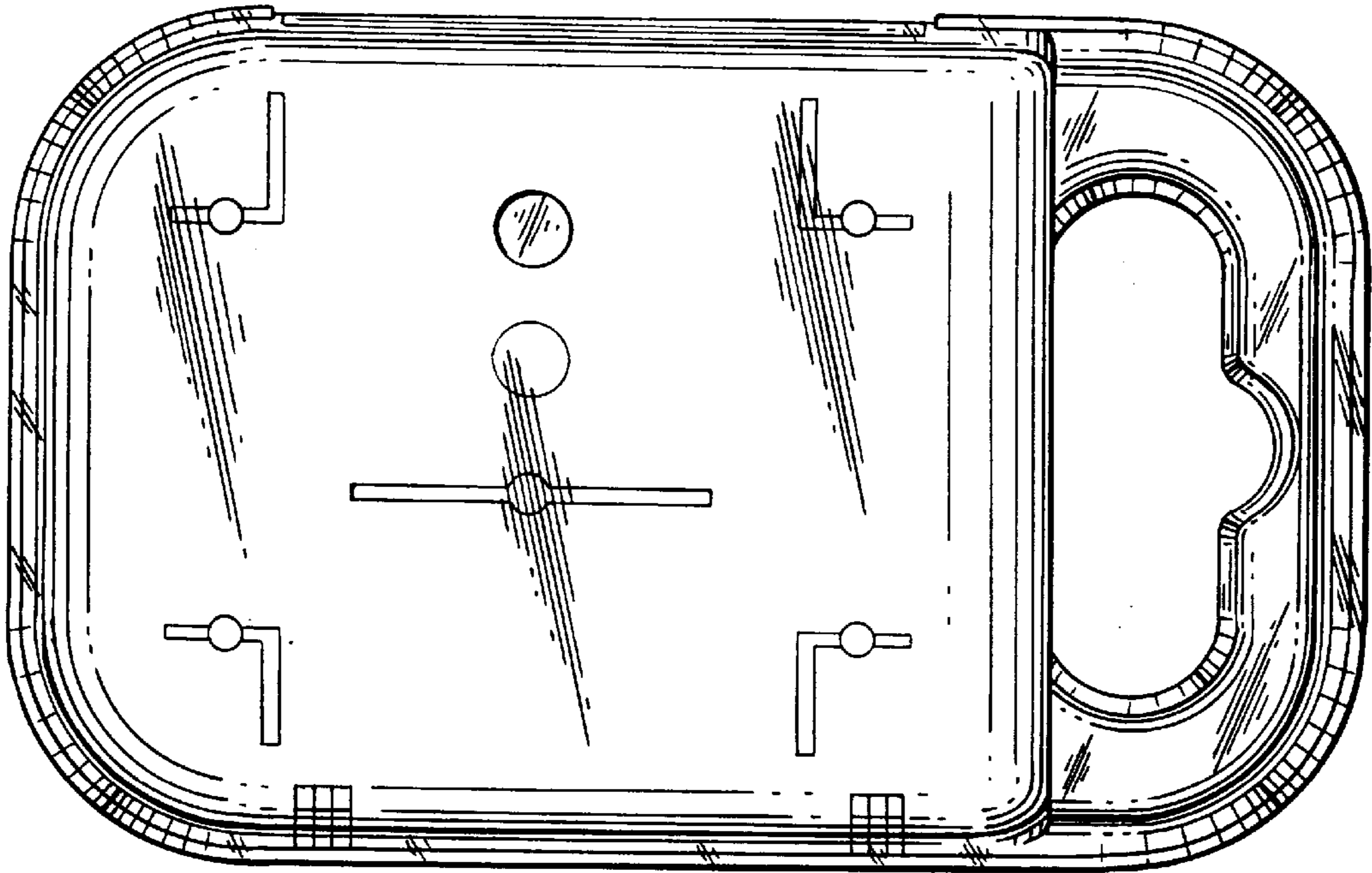


FIG. 6

