



US00D398835S

**United States Patent** [19]  
**Coll et al.**

[11] **Patent Number: Des. 398,835**

[45] **Date of Patent: \*\*Sep. 29, 1998**

[54] **MOUNTING PLATE**

4,628,421	12/1986	Saar .....	362/238
4,628,422	12/1986	Ewald .....	362/240
4,759,521	7/1988	Aldridge et al. .	
5,613,762	3/1997	Agabekov .....	362/240

[75] Inventors: **Gene Coll**, Cranford, N.J.; **Cong Thanh Dinh**, Montreal, Canada

[73] Assignee: **Diamond Communication Products, Inc.**, Garwood, N.J.

*Primary Examiner*—Holly Baynham  
*Attorney, Agent, or Firm*—Foley & Lardner

[\*\*] Term: **14 Years**

[57] **CLAIM**

[21] Appl. No.: **76,278**

The ornamental design for a “mounting plate”, as shown and described.

[22] Filed: **Sep. 5, 1997**

**DESCRIPTION**

[51] **LOC (6) Cl.** ..... **08-05**

[52] **U.S. Cl.** ..... **D8/354**

[58] **Field of Search** ..... D8/349, 354; 362/296, 362/240, 238; 248/300, 200, 201, 216.1, 216.5, 27.1

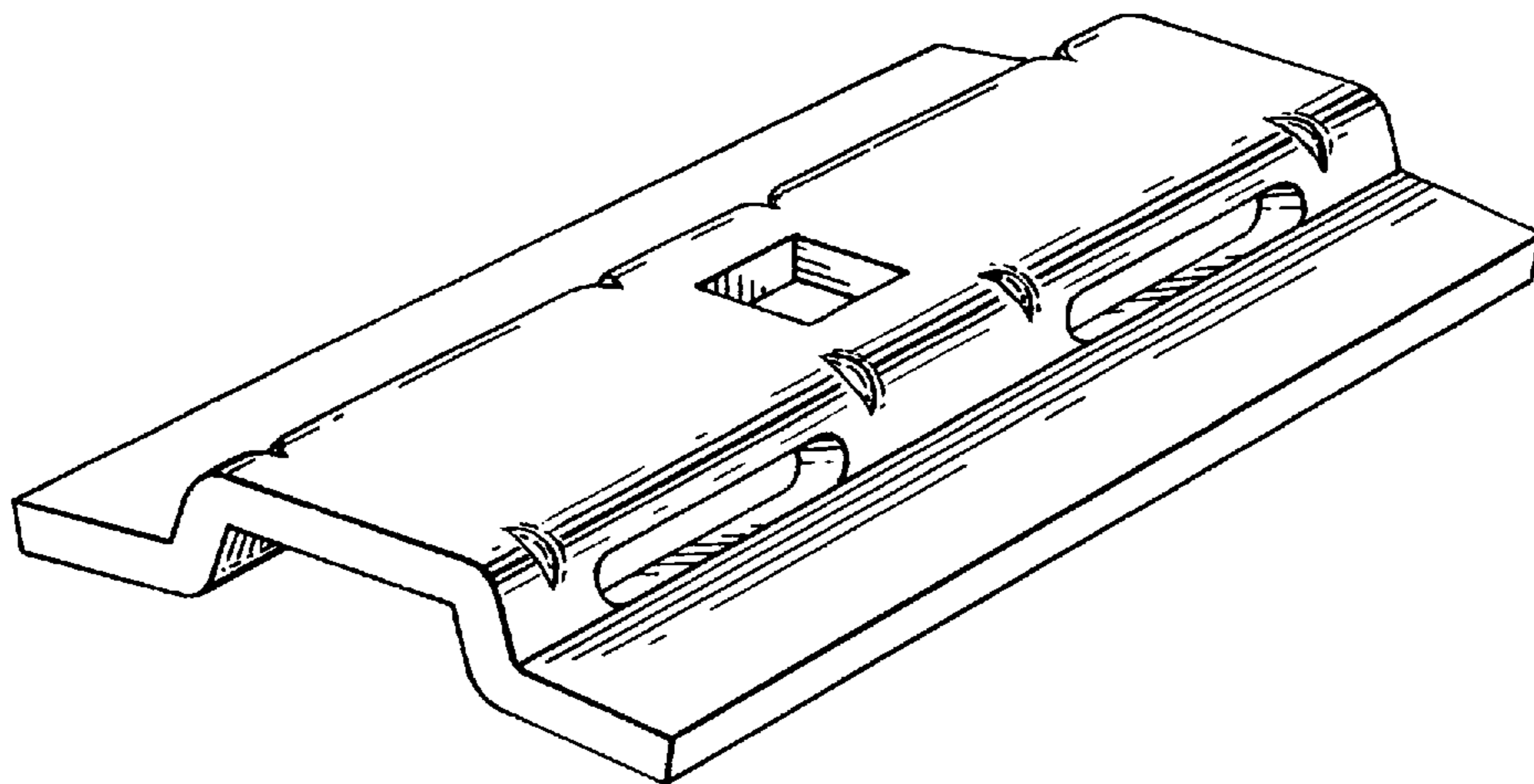
FIG. 1 is a top perspective view of a mounting plate, showing our new design;  
FIG. 2 is a top plan view thereof;  
FIG. 3 is a side elevational view thereof;  
FIG. 4 is an end elevational view thereof; and,  
FIG. 5 is a bottom plan view thereof.

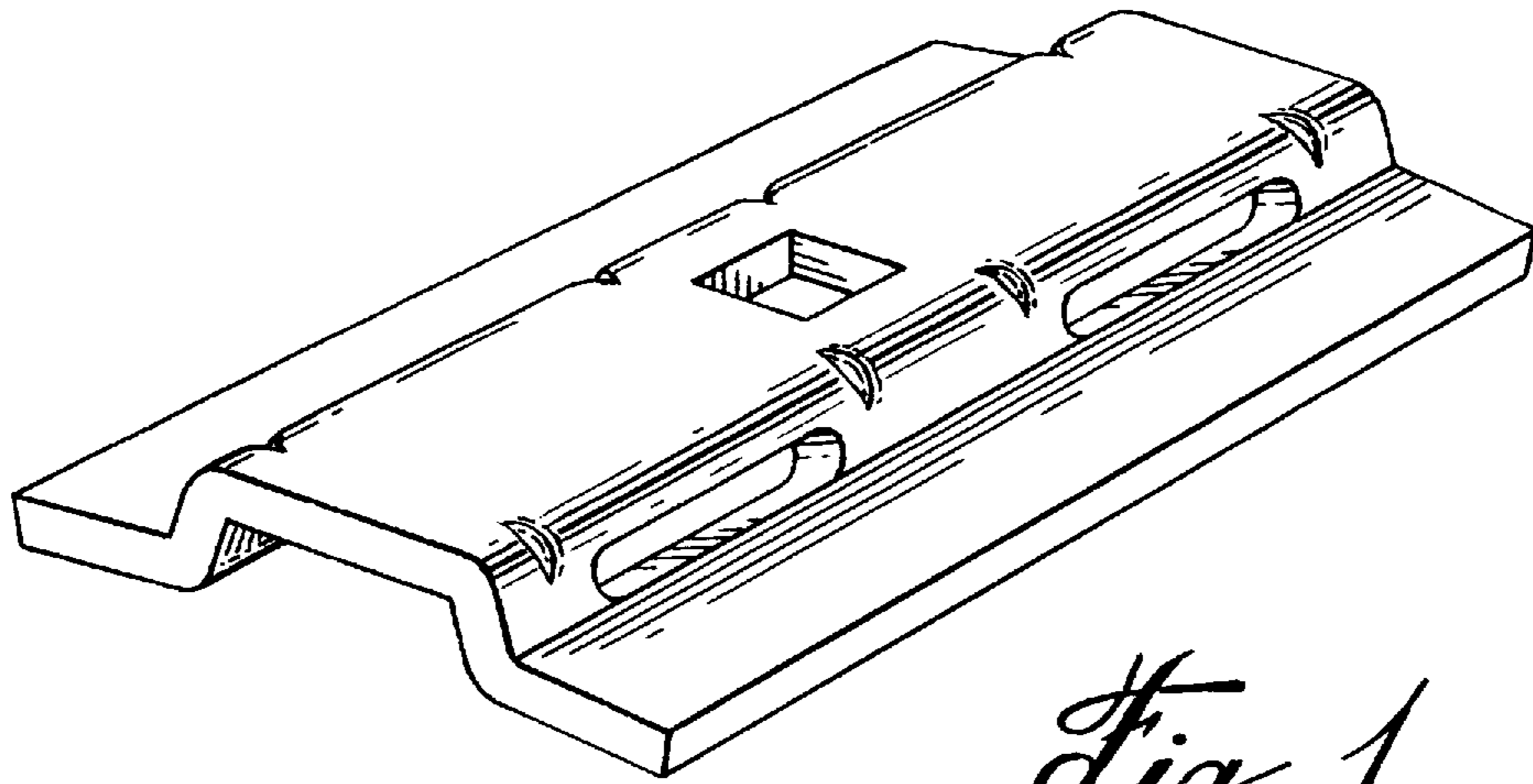
[56] **References Cited**

**U.S. PATENT DOCUMENTS**

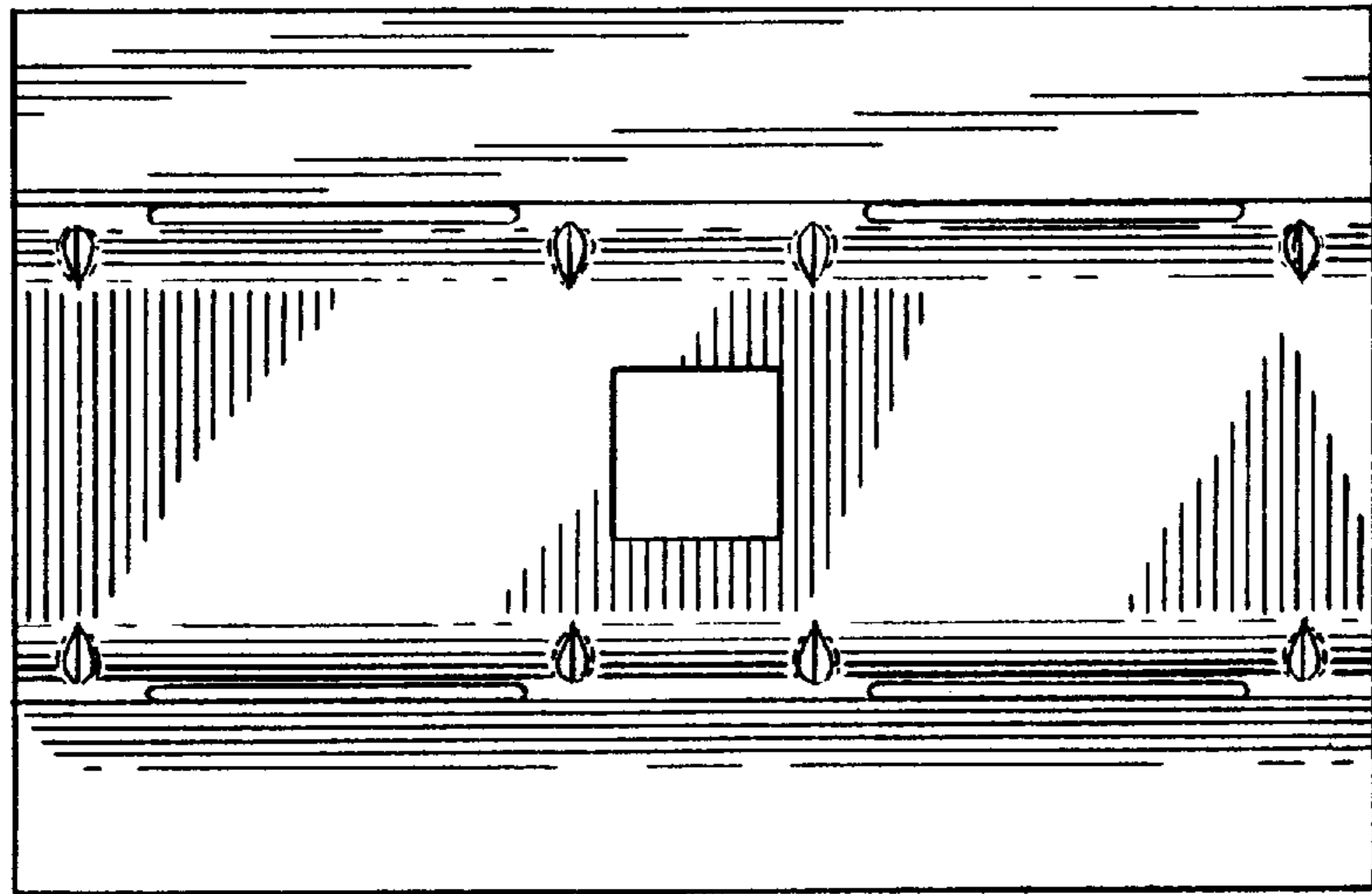
D. 347,991 6/1994 Barritt et al. .... D8/395 X

**1 Claim, 2 Drawing Sheets**

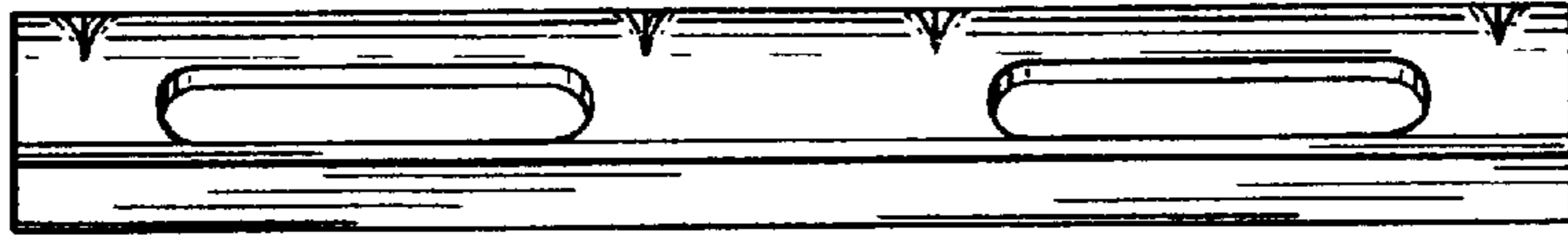




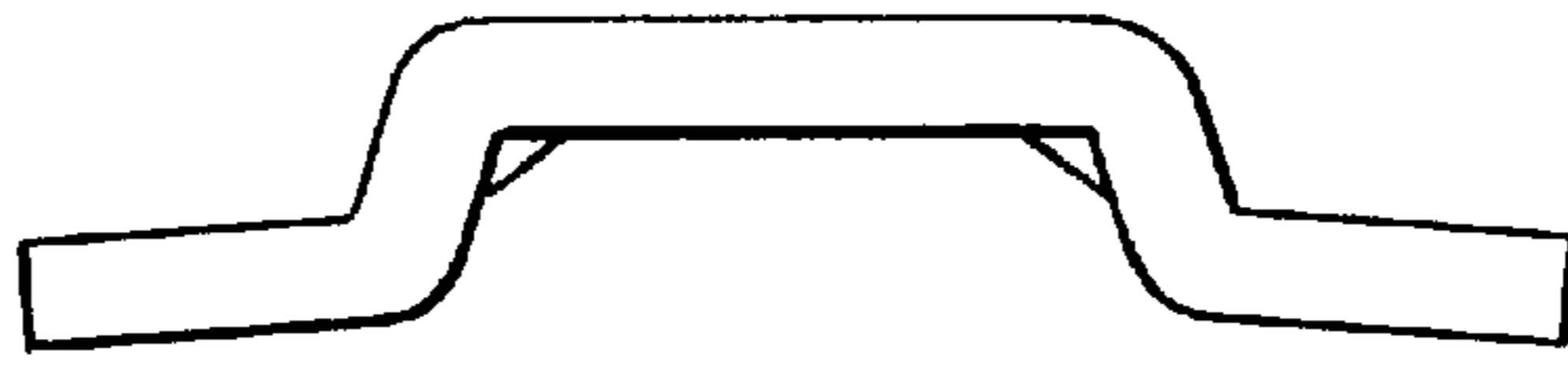
*Fig. 1*



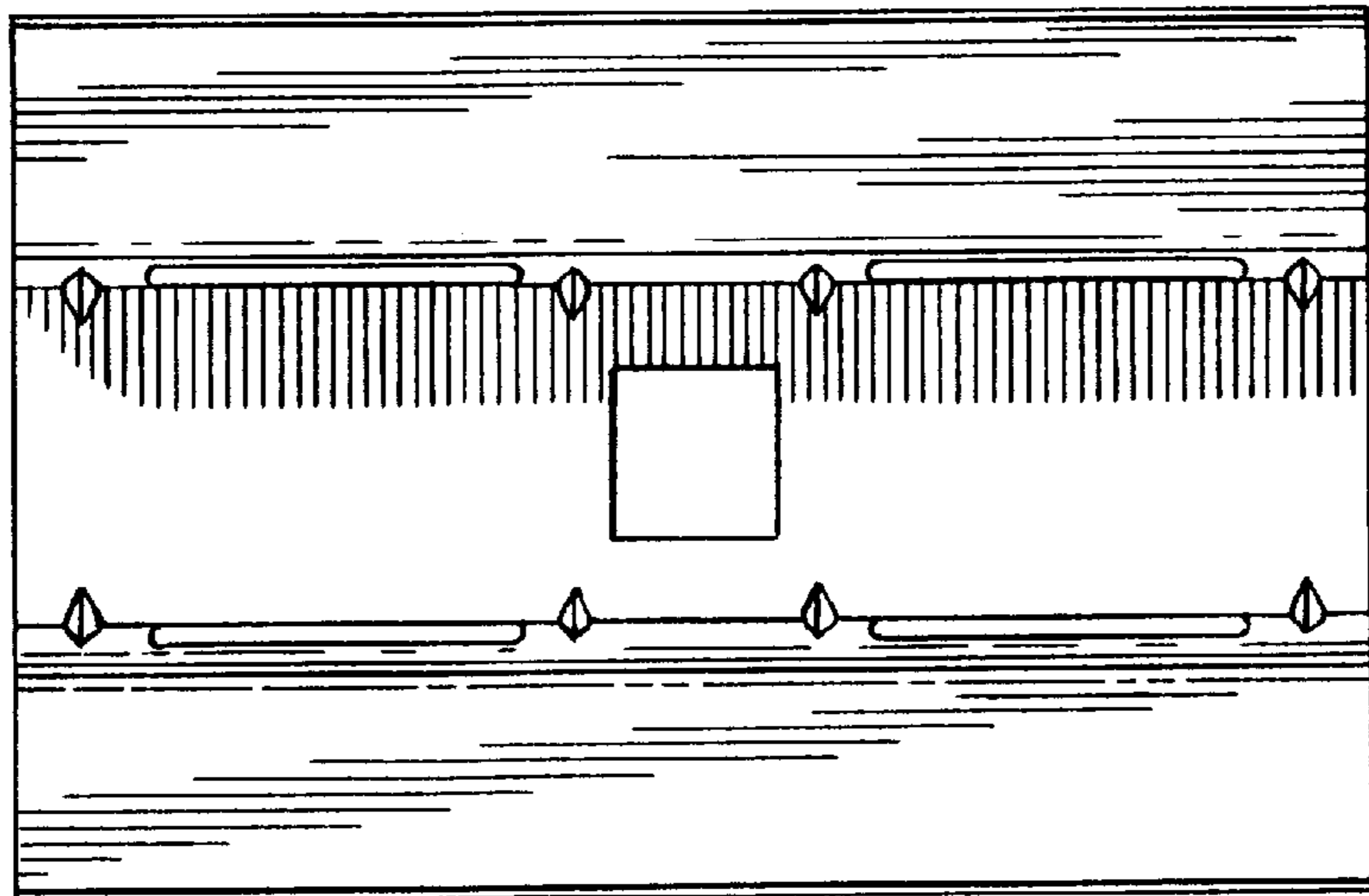
*Fig. 2*



*Fig. 3*



*Fig. 4*



*Fig. 5*