



US00D398833S

United States Patent [19] Hammar

[11] **Patent Number: Des. 398,833**

[45] **Date of Patent: **Sep. 29, 1998**

[54] **HOLDER ATTACHMENT**

D. 327,211 6/1992 Tarshis et al. D8/349
3,756,096 9/1973 Bolden 248/316.1 X

[76] Inventor: **Lars Hammar**, P.O. Box 15, Bjursås,
Sweden, SE-790 21

Primary Examiner—Holly Baynham
Attorney, Agent, or Firm—Notaro & Michalos P.C.

[**] Term: **14 Years**

[57] CLAIM

[21] Appl. No.: **76,233**

I claim the ornamental design for an holder attachment, as shown.

[22] Filed: **Sep. 5, 1997**

[30] Foreign Application Priority Data

DESCRIPTION

Mar. 5, 1997 [SE] Sweden 97-0520

FIG. 1 is a perspective view of an holder attachment viewed obliquely from above and in an opened state;
FIG. 2 is a perspective view of the holder attachment of FIG. 1 as viewed obliquely from below;
FIG. 3 is a perspective view of the holder attachment, still opened, and viewed obliquely from below, from the opposite side as viewed in FIG. 1; and,
FIG. 4 is a perspective view of the holder attachment according to FIG. 1 in a closed state.

[51] **LOC (6) Cl.** **08-05**

[52] **U.S. Cl.** **D8/349**

[58] **Field of Search** D8/373, 349, 395;
24/507-510; 248/316.1, 316.5, 316.7, 339

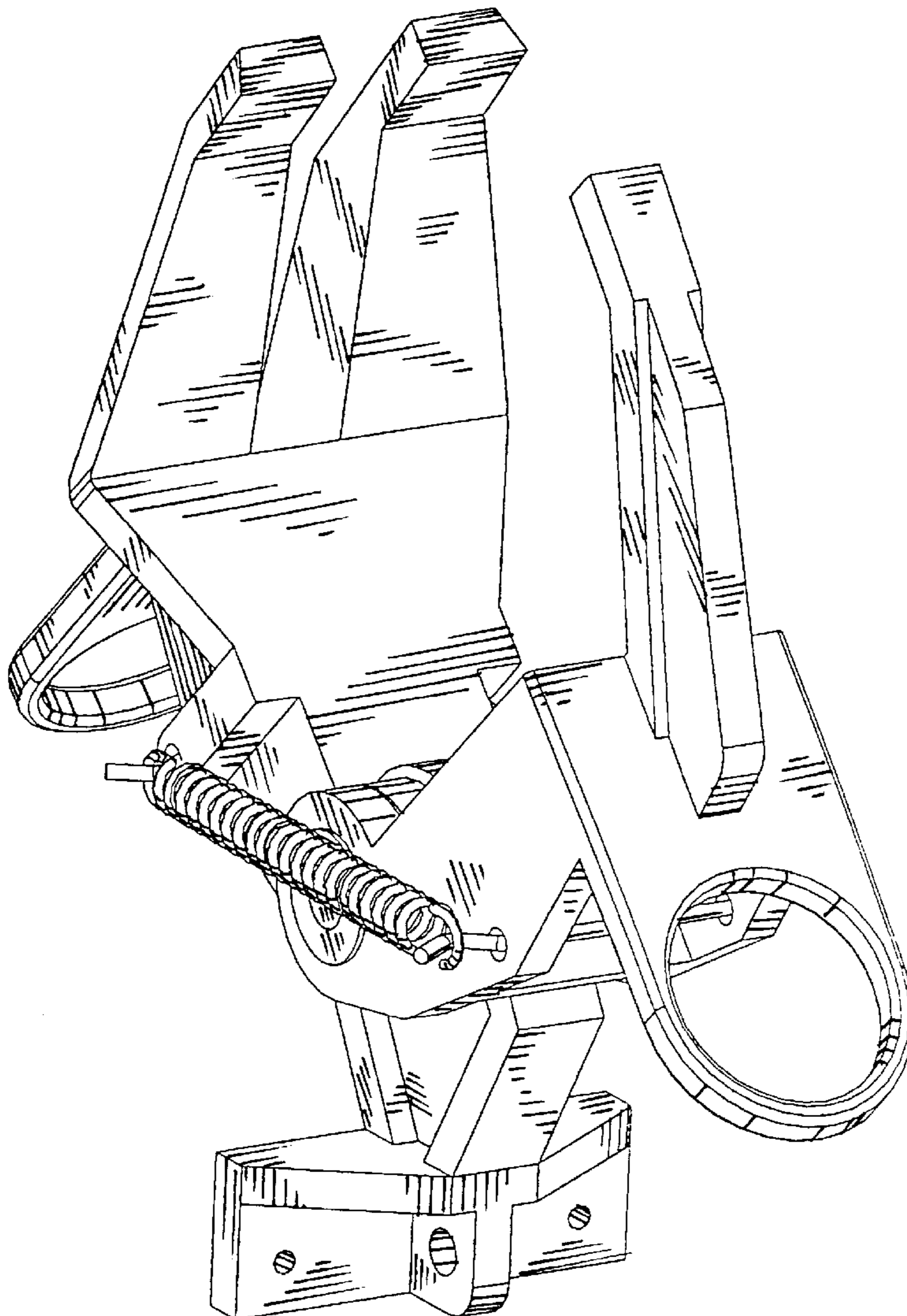
[56] References Cited

U.S. PATENT DOCUMENTS

D. 199,089 9/1964 Boden et al. D8/373

D. 314,502 2/1991 Weldin D8/395 X

1 Claim, 4 Drawing Sheets



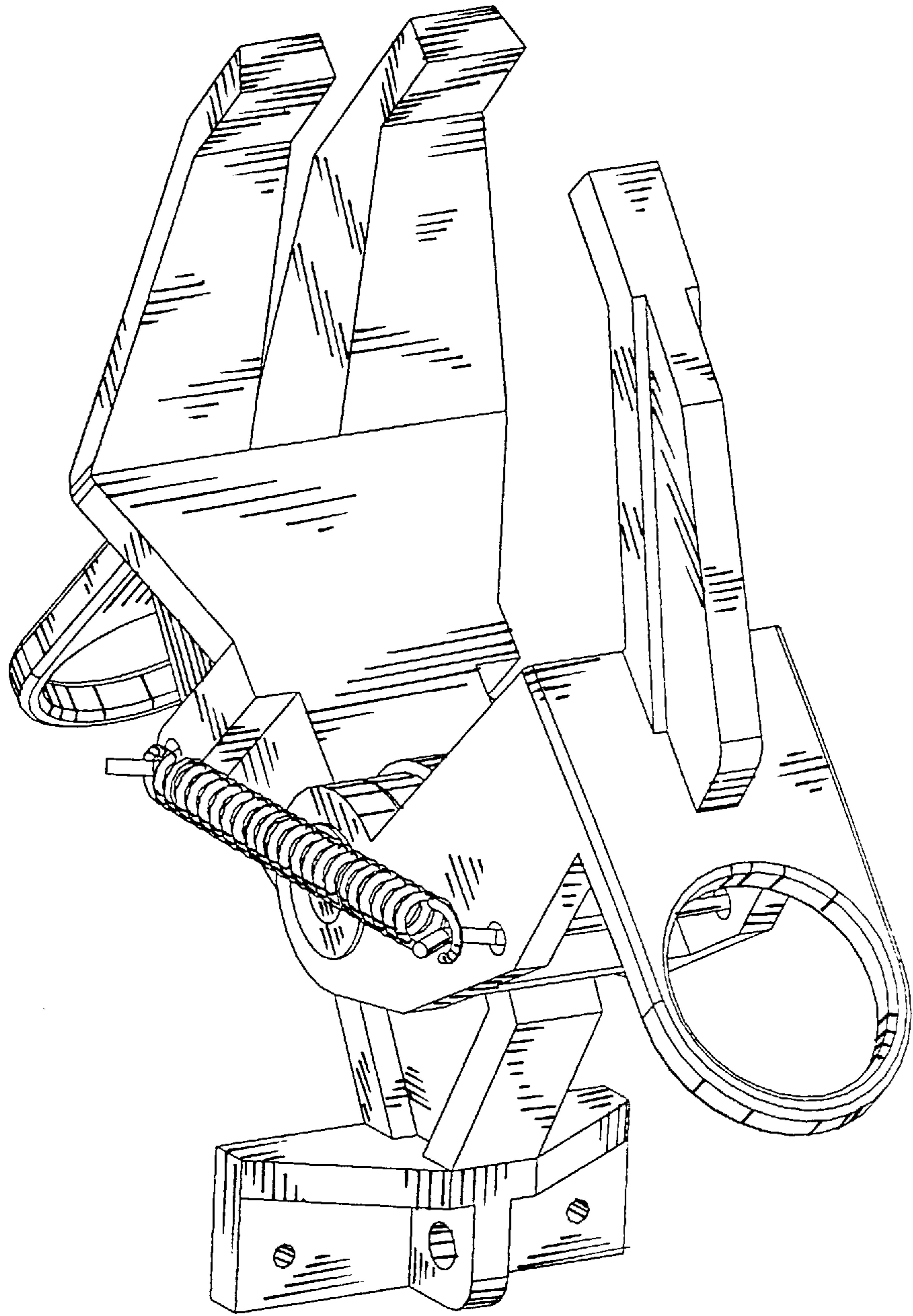


Fig 1

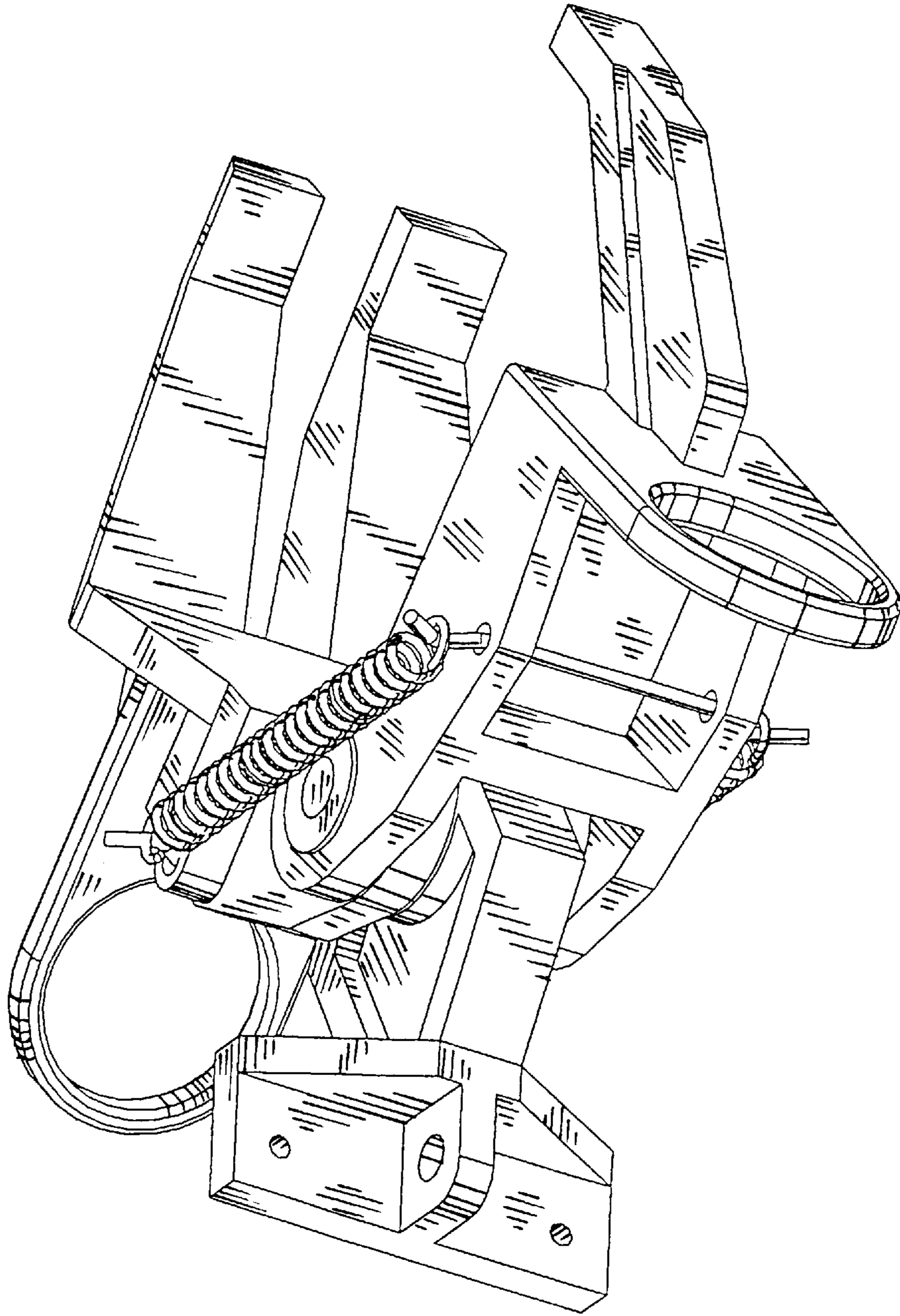


Fig 2

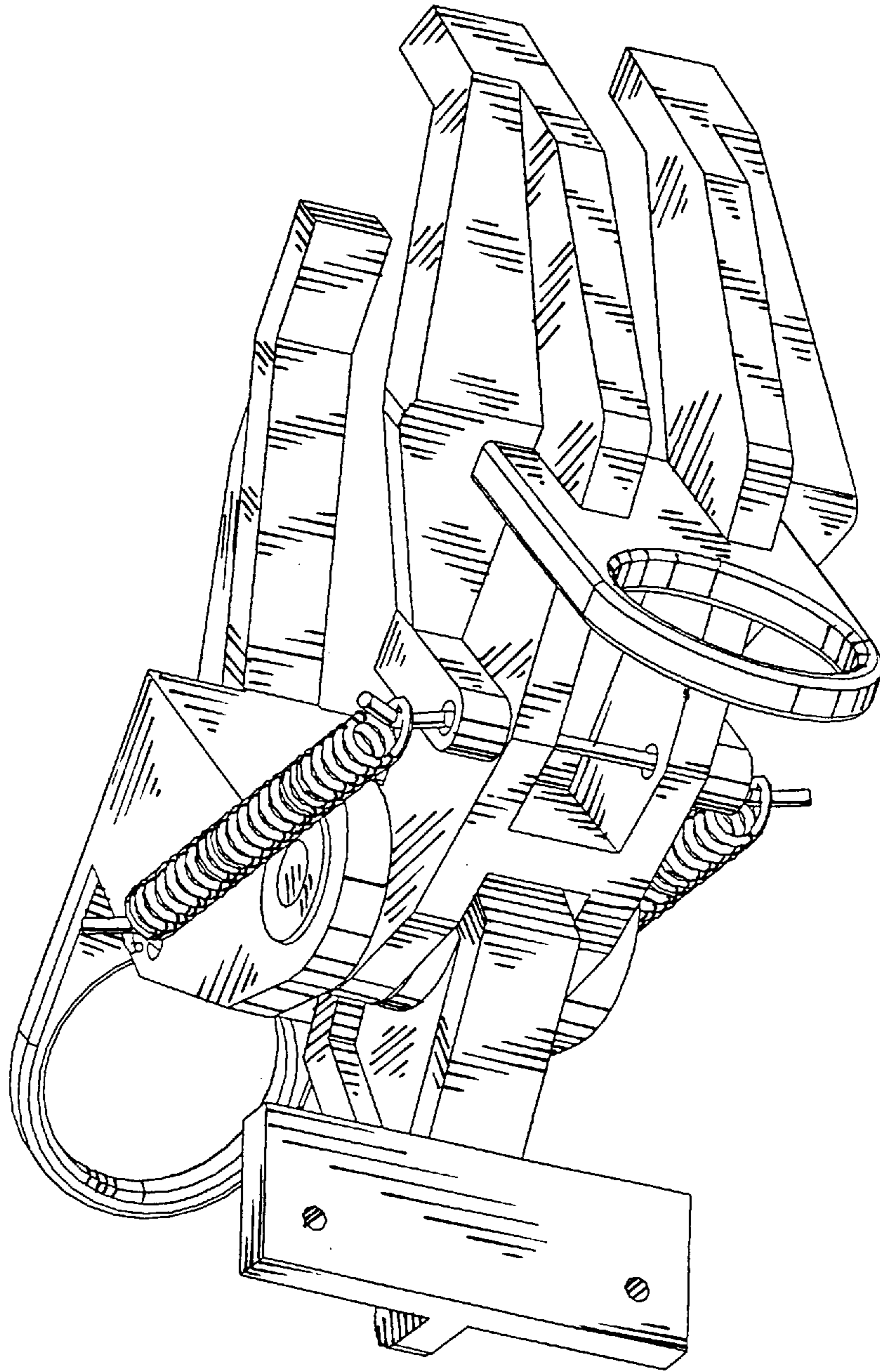


Fig 3

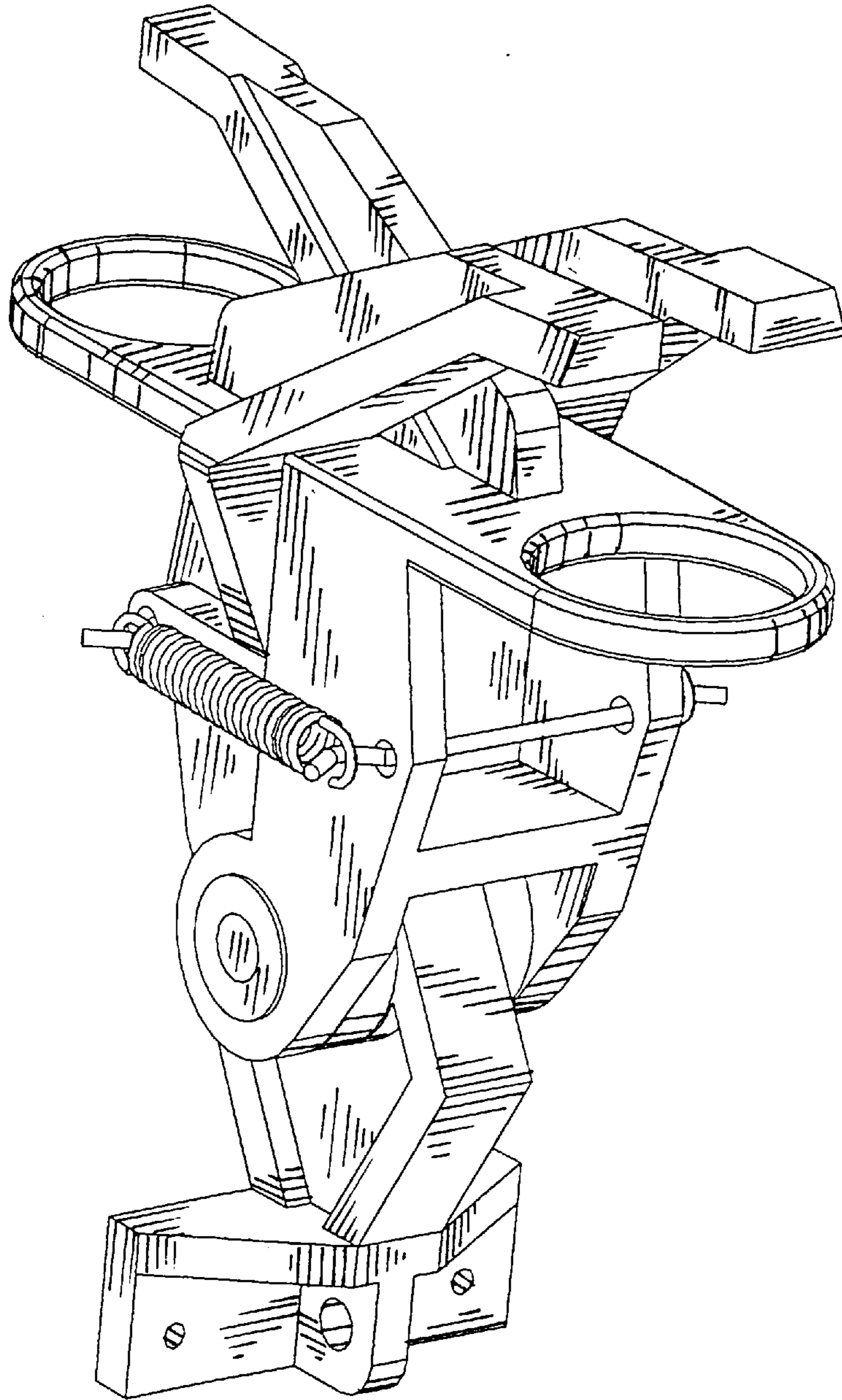


Fig 4