



US00D398830S

United States Patent [19] Winner

[11] **Patent Number: Des. 398,830**
[45] **Date of Patent: **Sep. 29, 1998**

- [54] **LOCK**
- [75] Inventor: **Kevin D. Winner**, Hermitage, Pa.
- [73] Assignee: **Winner International Royalty Corporation**, Sharon, Pa.
- [**] Term: **14 Years**
- [21] Appl. No.: **74,889**
- [22] Filed: **Aug. 4, 1997**

5,488,844 2/1996 Winner 70/18

FOREIGN PATENT DOCUMENTS

2495555 12/1980 France .

OTHER PUBLICATIONS

Letter dated Oct. 18, 1994 from Wilson Gunn M'Caw & Co.
Letter dated Jan. 5, 1995 from David Warner.
Letter dated Dec. 9, 1994 from Wilson Gunn M'Caw & Co.
Performance Bicycle Shop Catalog, p. 79, Summer 1994.
Six copies of photographs of the Cyclok booth at Las Vegas Interbike Show in 1993.

Related U.S. Application Data

[63] Continuation of Ser. No. 61,022, Oct. 15, 1996, Pat. No. Des. 391,142, which is a continuation-in-part of Ser. No. 442,816, May 17, 1995, which is a continuation-in-part of Ser. No. 233,291, Apr. 26, 1994, Pat. No. 5,488,844.

- [51] **LOC (6) Cl.** **08-07**
- [52] **U.S. Cl.** **D8/333**
- [58] **Field of Search** D8/333, 334; 70/14-16, 70/18, 57, 158, 163-164, 233, 38 A

Primary Examiner—Brian N. Vinson
Attorney, Agent, or Firm—Vickers, Daniels & Young

[57] CLAIM

The ornamental design for a lock, as shown and described.

DESCRIPTION

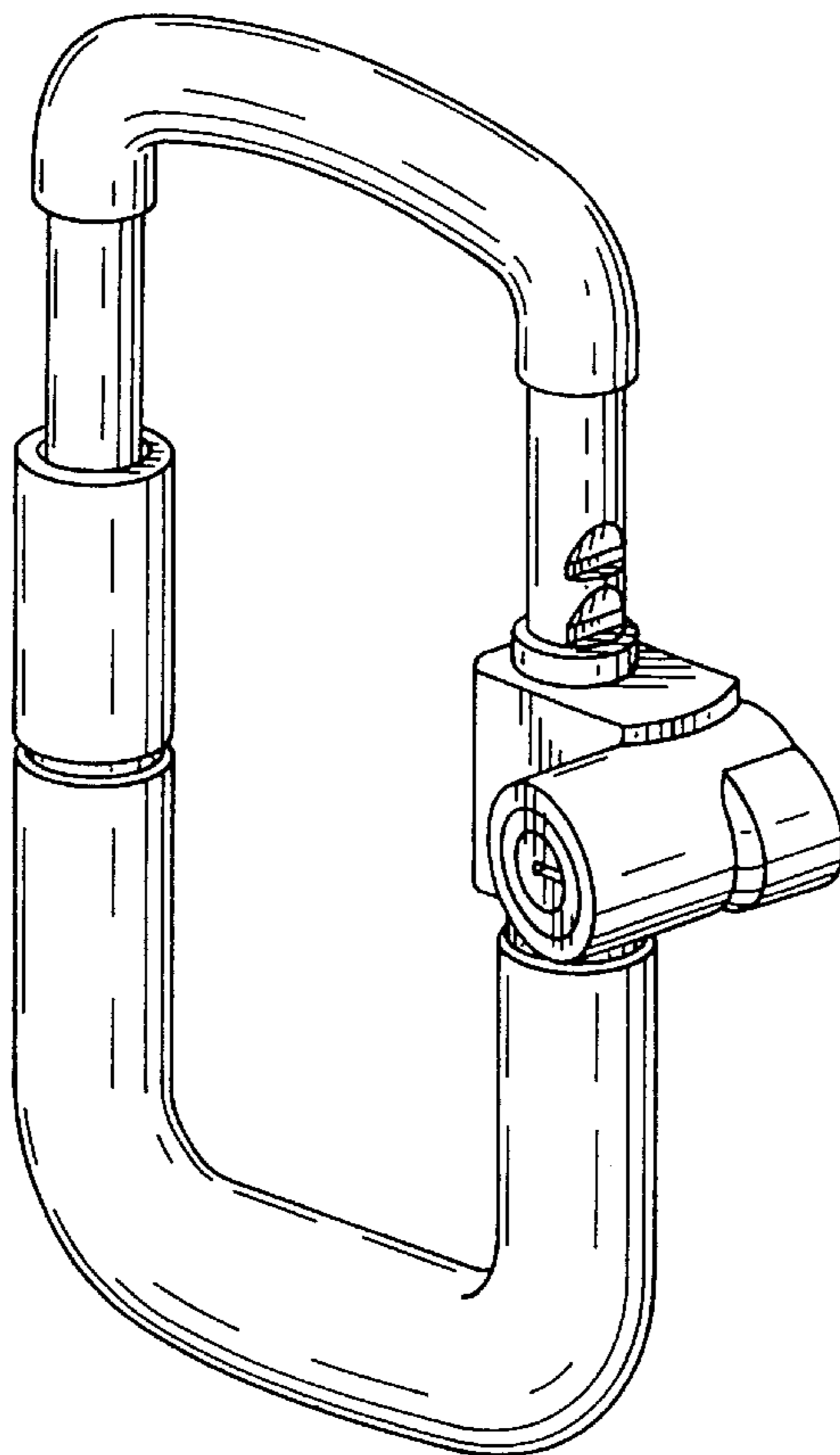
FIG. 1 is a front perspective view of a lock according to the present invention showing the lock in a closed position; FIG. 2 is a top plan view of the lock in FIG. 1; FIG. 3 is a front elevation view of the lock in FIG. 1; FIG. 4 is a left side elevation view of the lock in FIG. 1; FIG. 5 is a right side elevation view of the lock in FIG. 1; FIG. 6 is a bottom plan view of the lock in FIG. 1; FIG. 7 is a rear elevation of the lock in FIG. 1; and, FIG. 8 is a front elevation view of the lock in FIG. 1 showing the lock in an open position.

[56] References Cited

U.S. PATENT DOCUMENTS

D. 351,778	10/1994	Kuo	D8/333
D. 357,397	4/1995	Kuo	D8/333
5,331,830	7/1994	Su	70/39 X
5,394,712	3/1995	Chou	70/38 A
5,398,529	3/1995	Goldman et al.	70/38 A
5,406,811	4/1995	Nakai	70/57 X
5,406,812	4/1995	Jaw	70/38 A

1 Claim, 3 Drawing Sheets



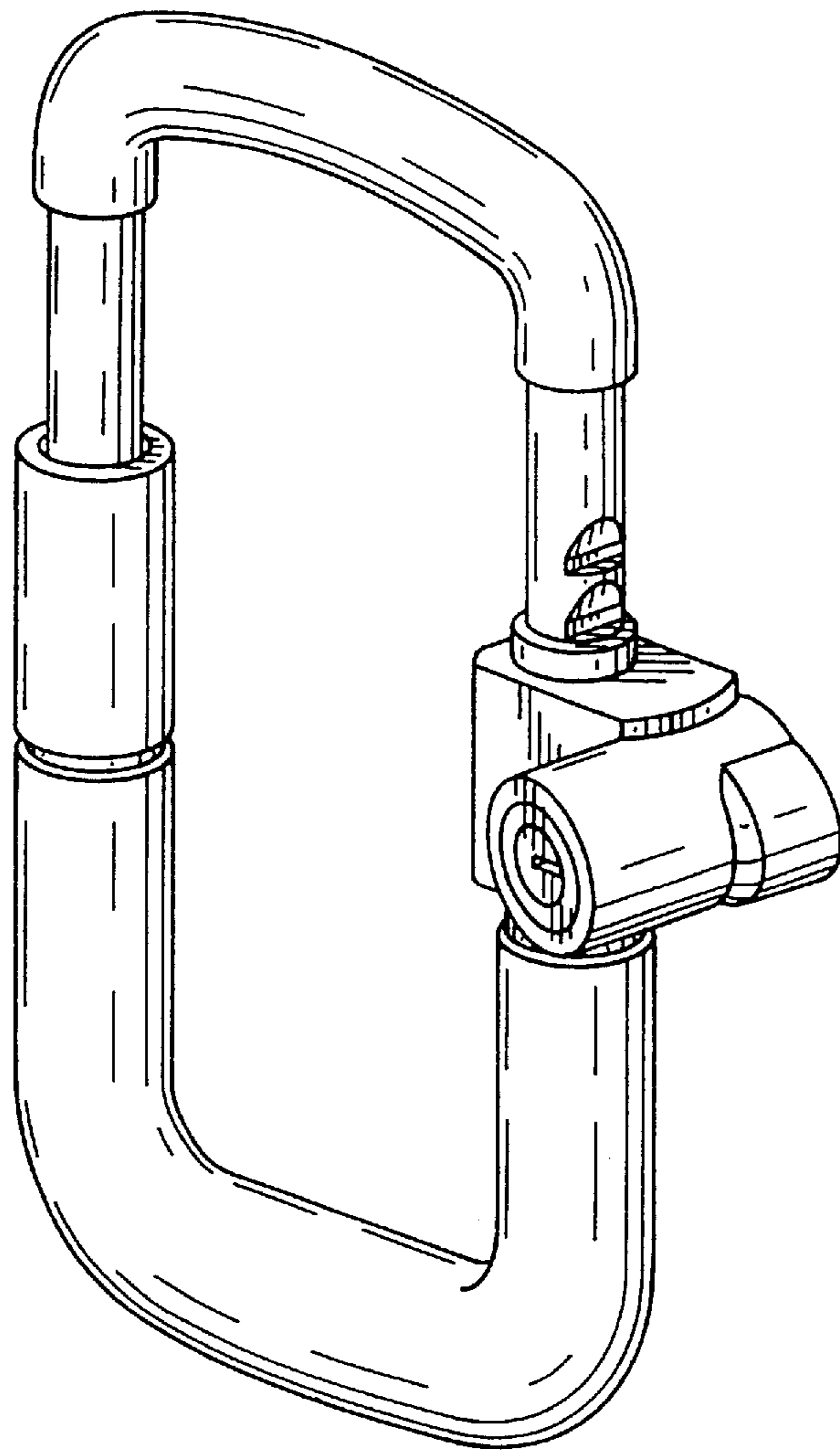


FIG. 1

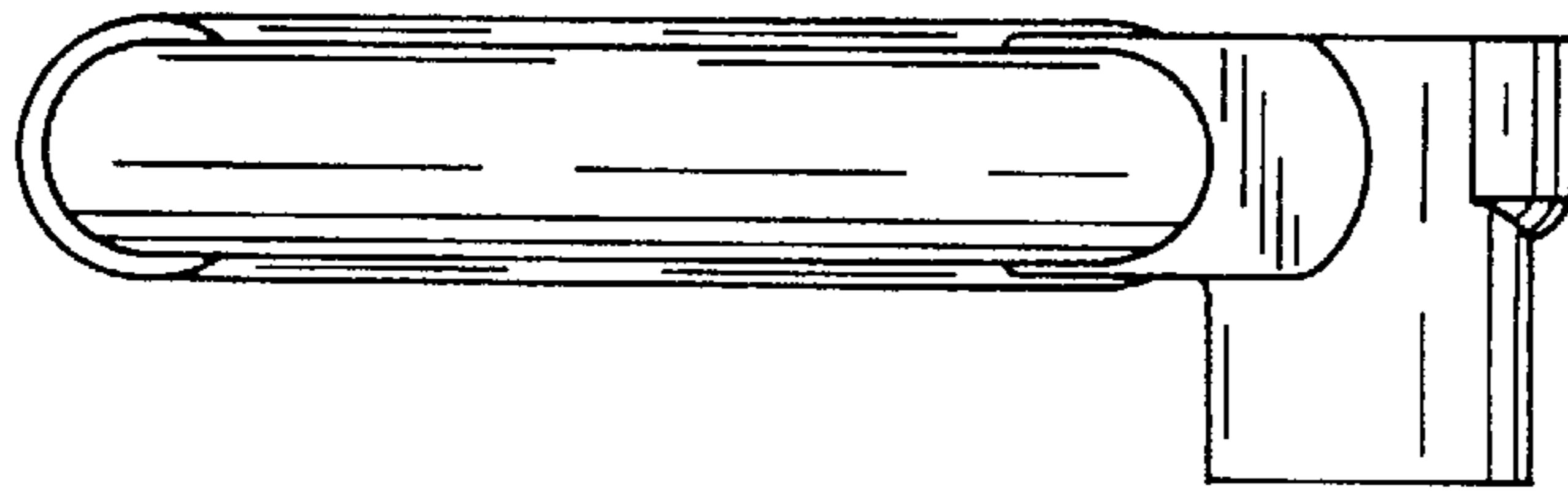


FIG. 2

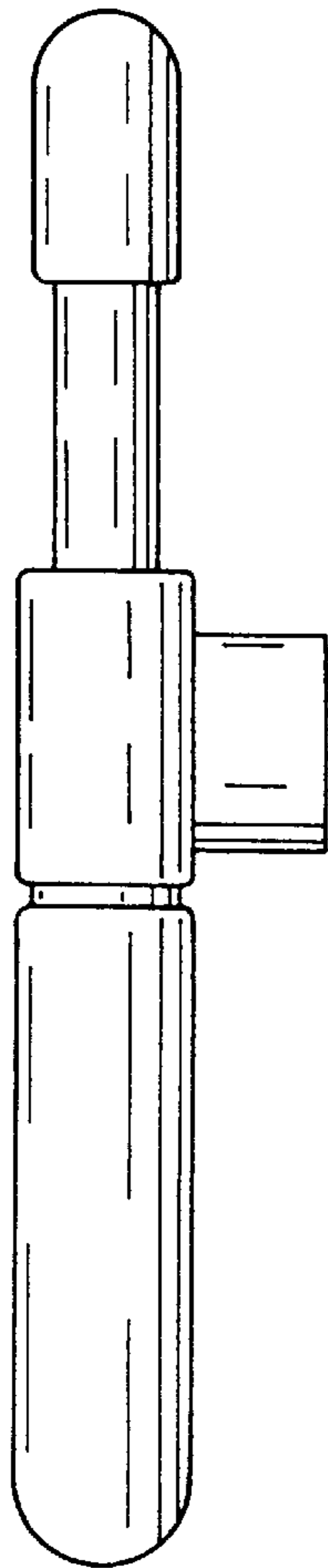


FIG. 4

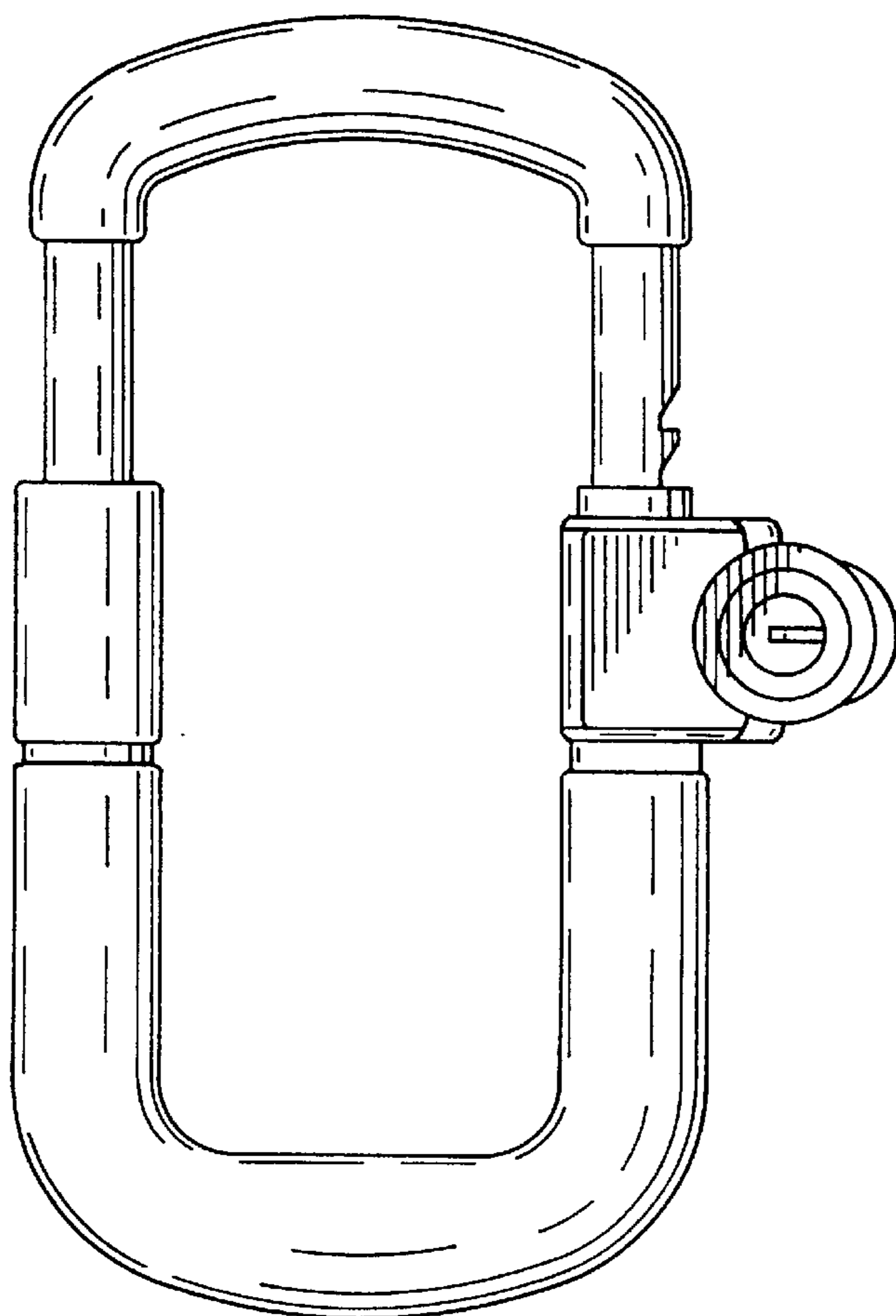


FIG. 3

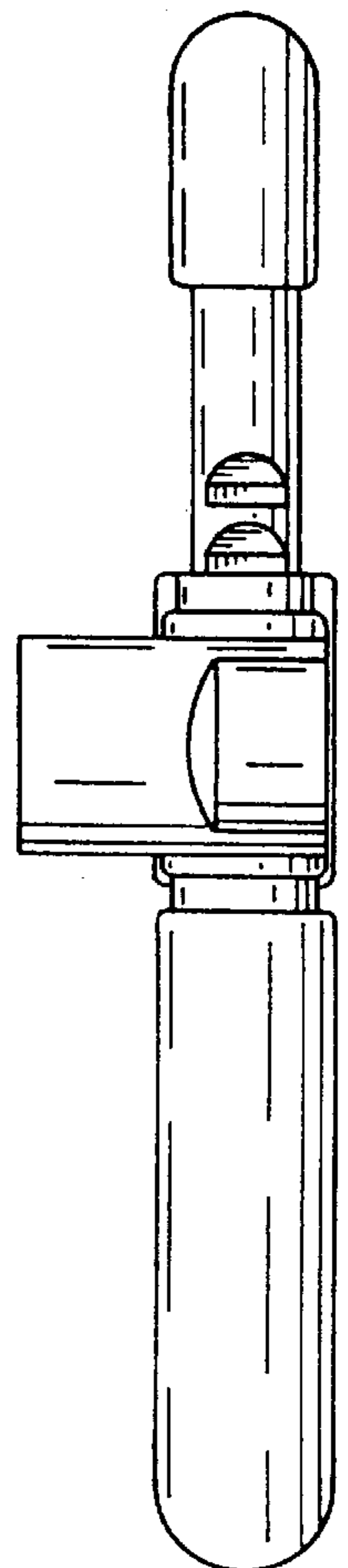


FIG. 5

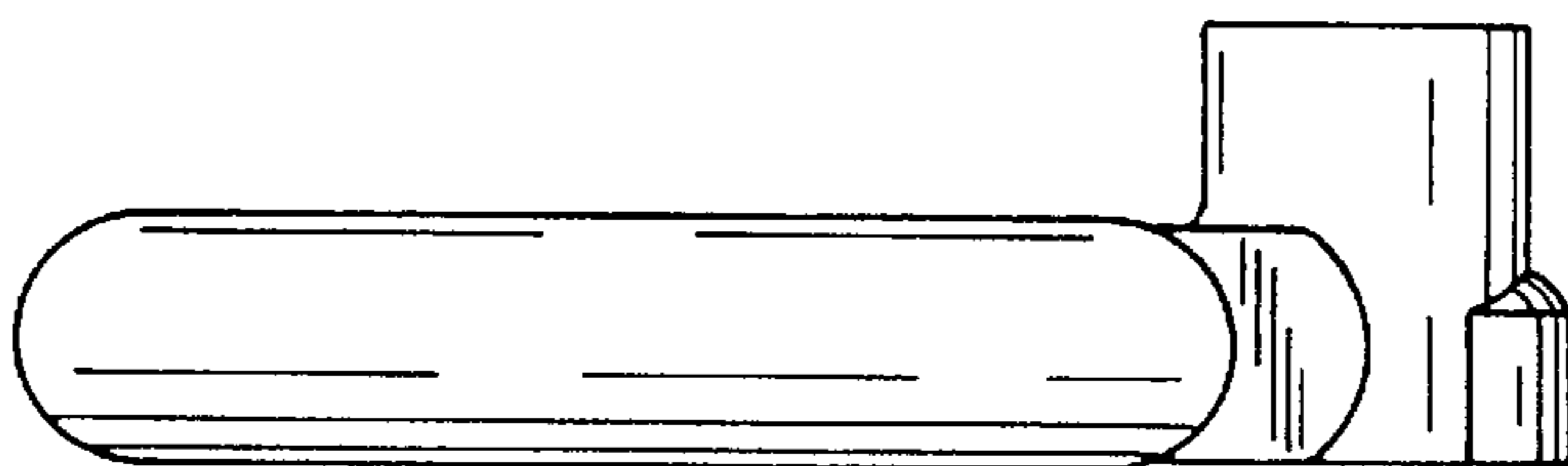


FIG. 6

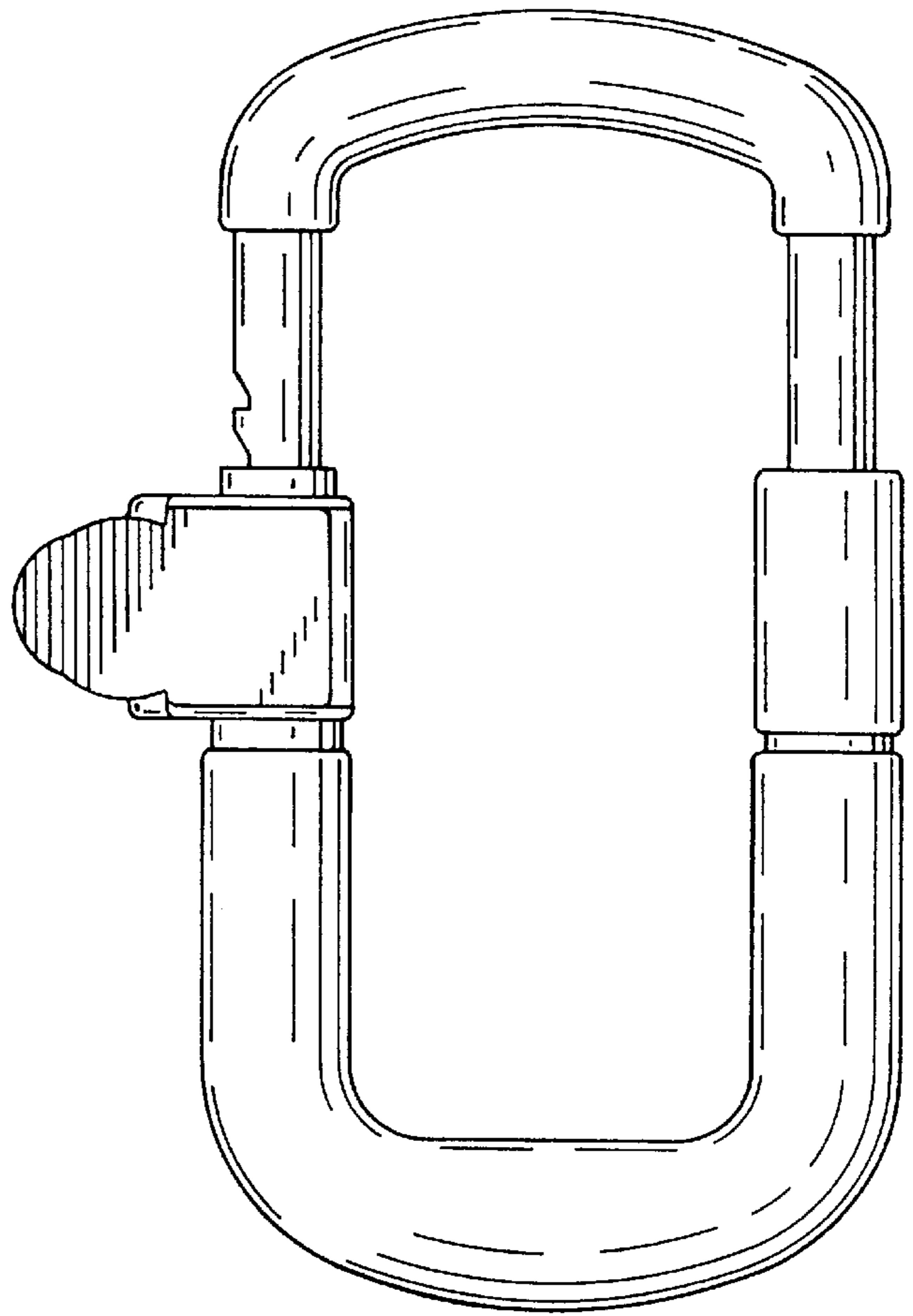


FIG. 7

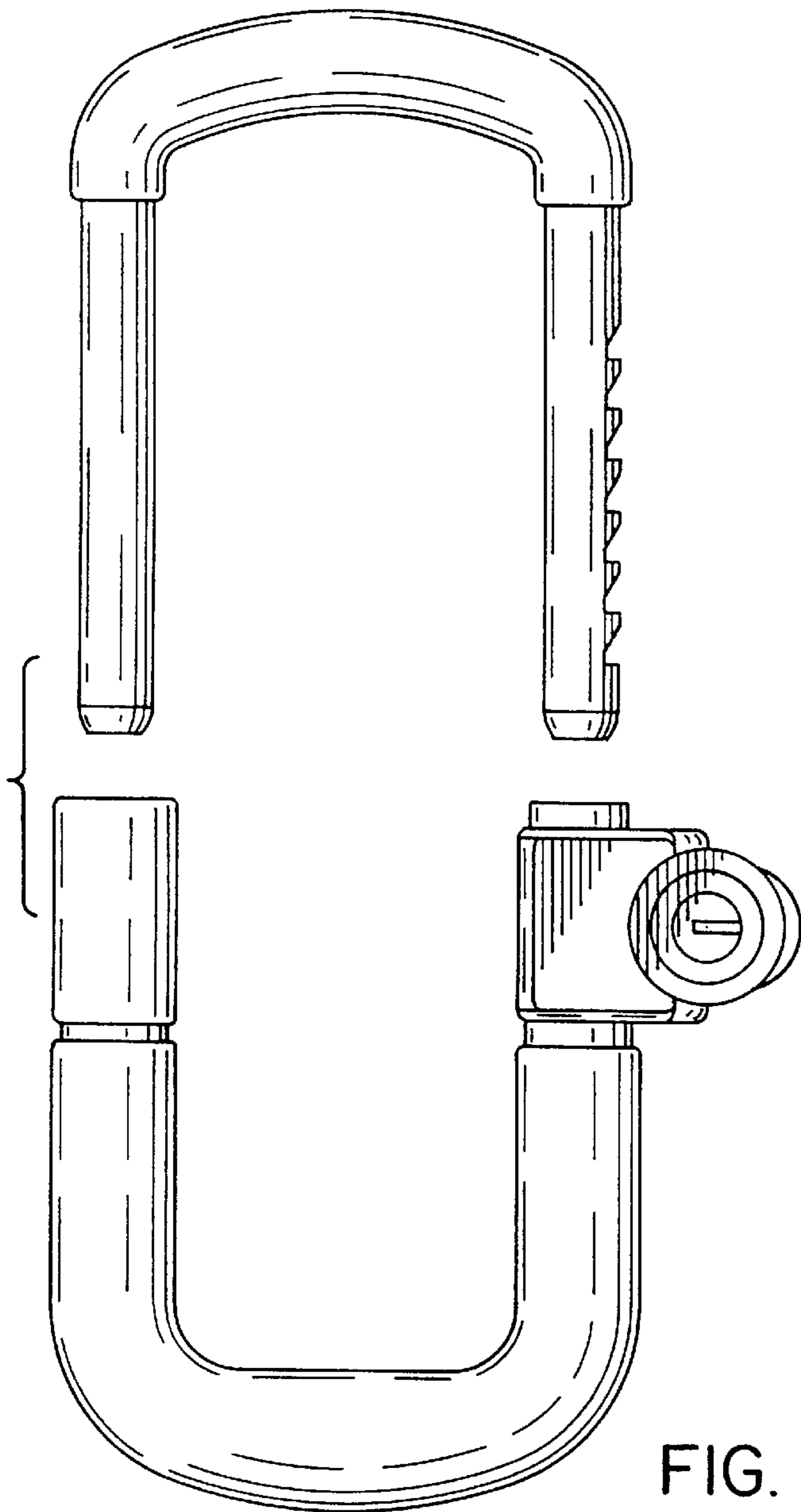


FIG. 8