



US00D398827S

United States Patent [19]
Vrilakas

[11] **Patent Number: Des. 398,827**

[45] **Date of Patent: **Sep. 29, 1998**

[54] **PARTS SEPARATOR**

[57] **CLAIM**

[76] Inventor: **Andrew M. Vrilakas**, 1816 Beverly Way, Sacramento, Calif. 95818

The ornamental design for a parts separator, as shown and described.

[**] Term: **14 Years**

DESCRIPTION

[21] Appl. No.: **72,773**

FIG. 1 is a front perspective view of a parts separator, showing my new design;

[22] Filed: **Jun. 30, 1997**

FIG. 2 is an elevational view of one side thereof, the opposite side being a mirror image;

[51] **LOC (6) Cl.** **08-05**

FIG. 3 is a top plan view thereof;

[52] **U.S. Cl.** **D8/71**

FIG. 4 is a bottom plan view thereof;

[58] **Field of Search** D8/71; D15/199;
29/239, 252

FIG. 5 is a rear view thereof;

FIG. 6 is a front view thereof;

[56] **References Cited**

FIG. 7 is a front perspective view thereof, similar to FIG. 1 but to a reduced scale.

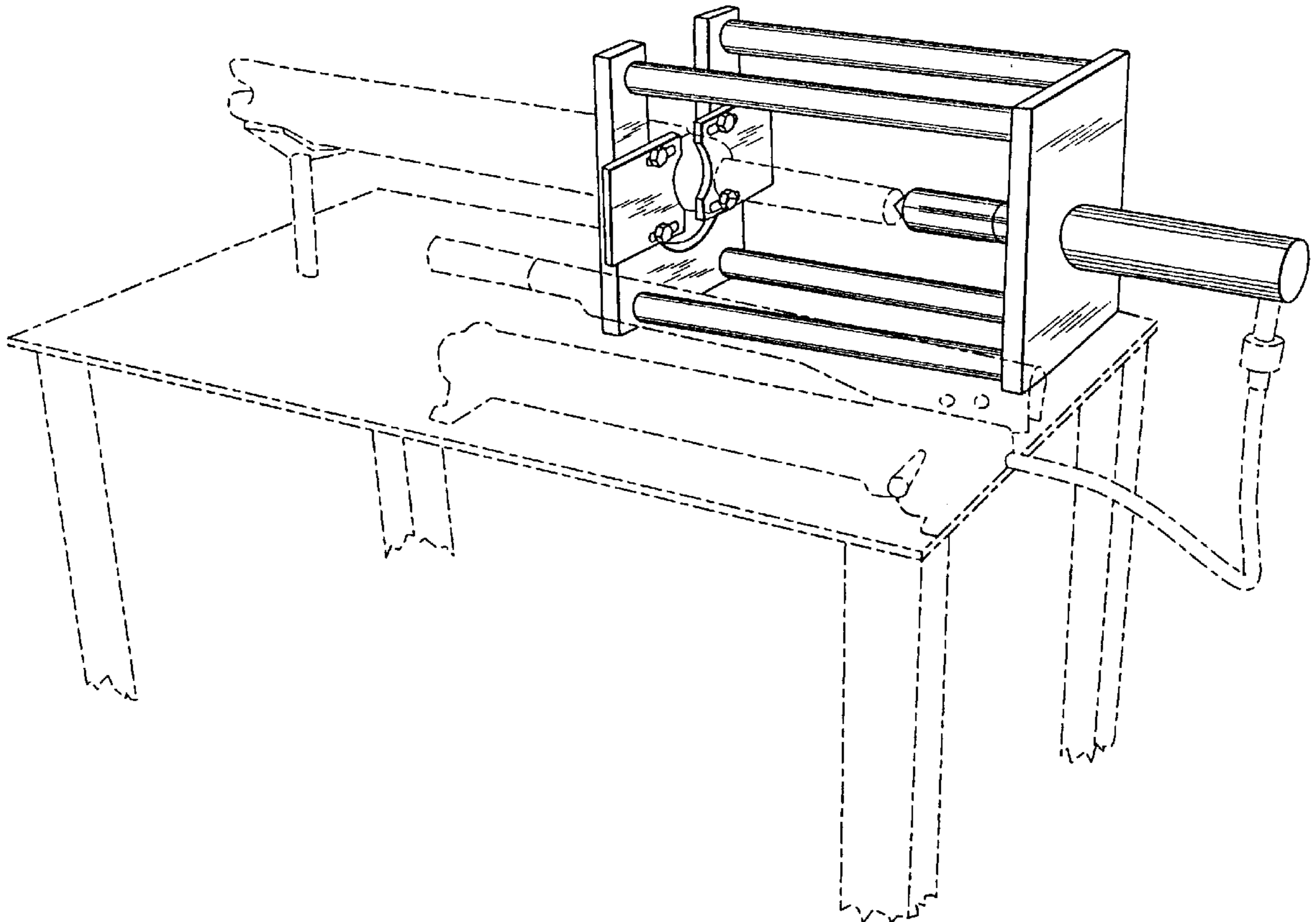
U.S. PATENT DOCUMENTS

The broken lines in FIG. 7 are merely intended to illustrate the environment in which the article is found and form no part of the design.

- 4,955,122 9/1990 Ootsuki et al. 29/252 X
- 5,404,631 4/1995 Boyd et al. 29/252 X

Primary Examiner—Terry A. Wallace
Attorney, Agent, or Firm—Lothrop & West

1 Claim, 4 Drawing Sheets



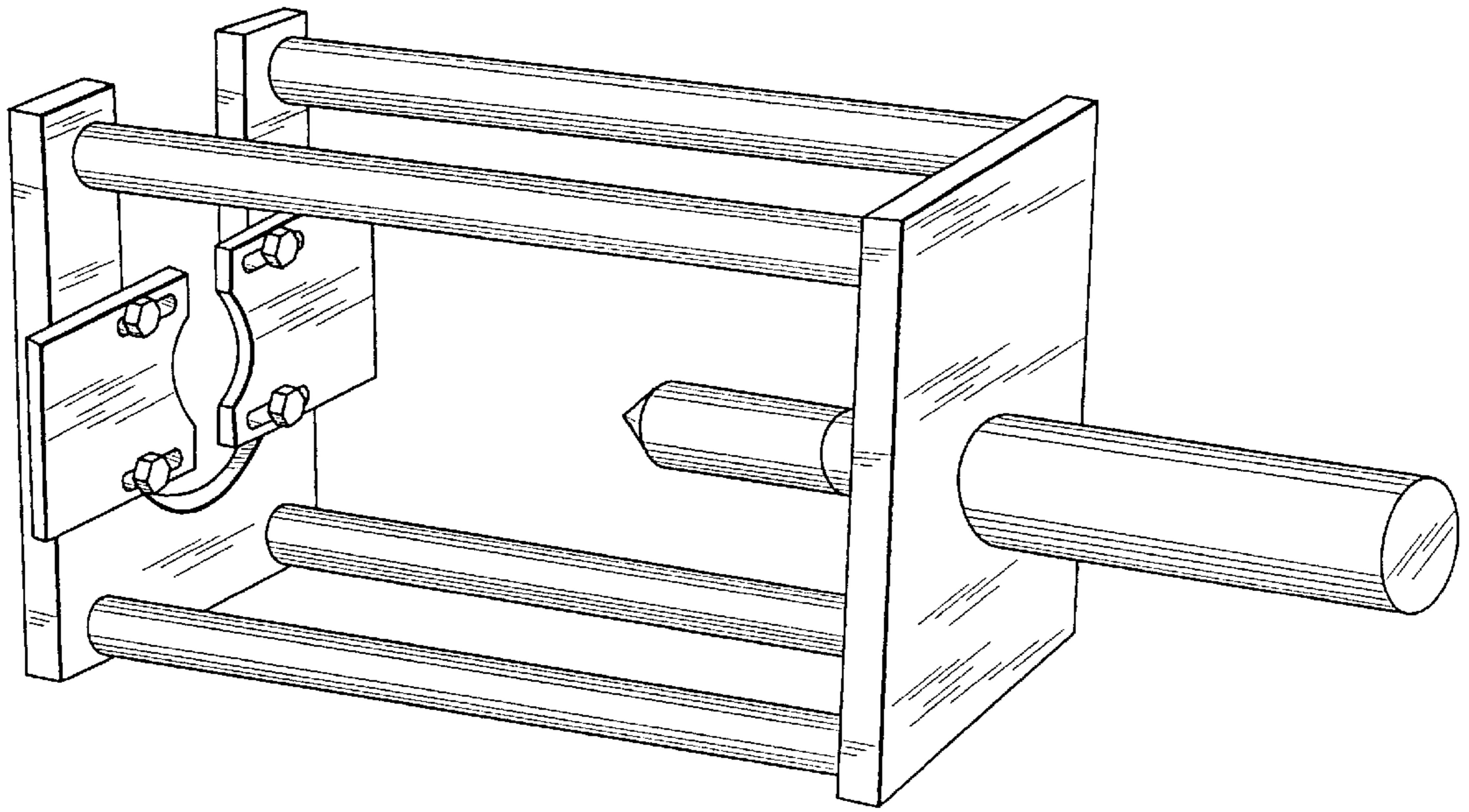


FIG. 1

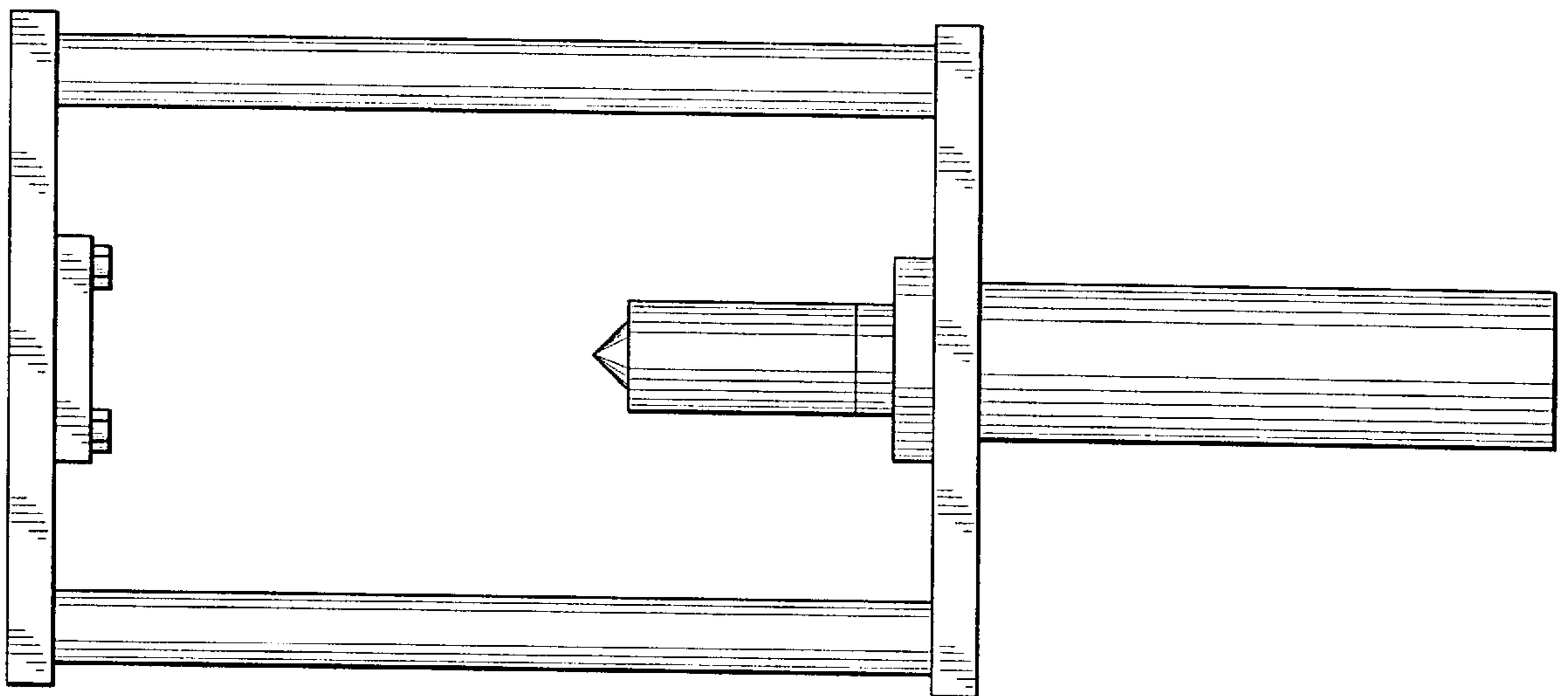


FIG. 2

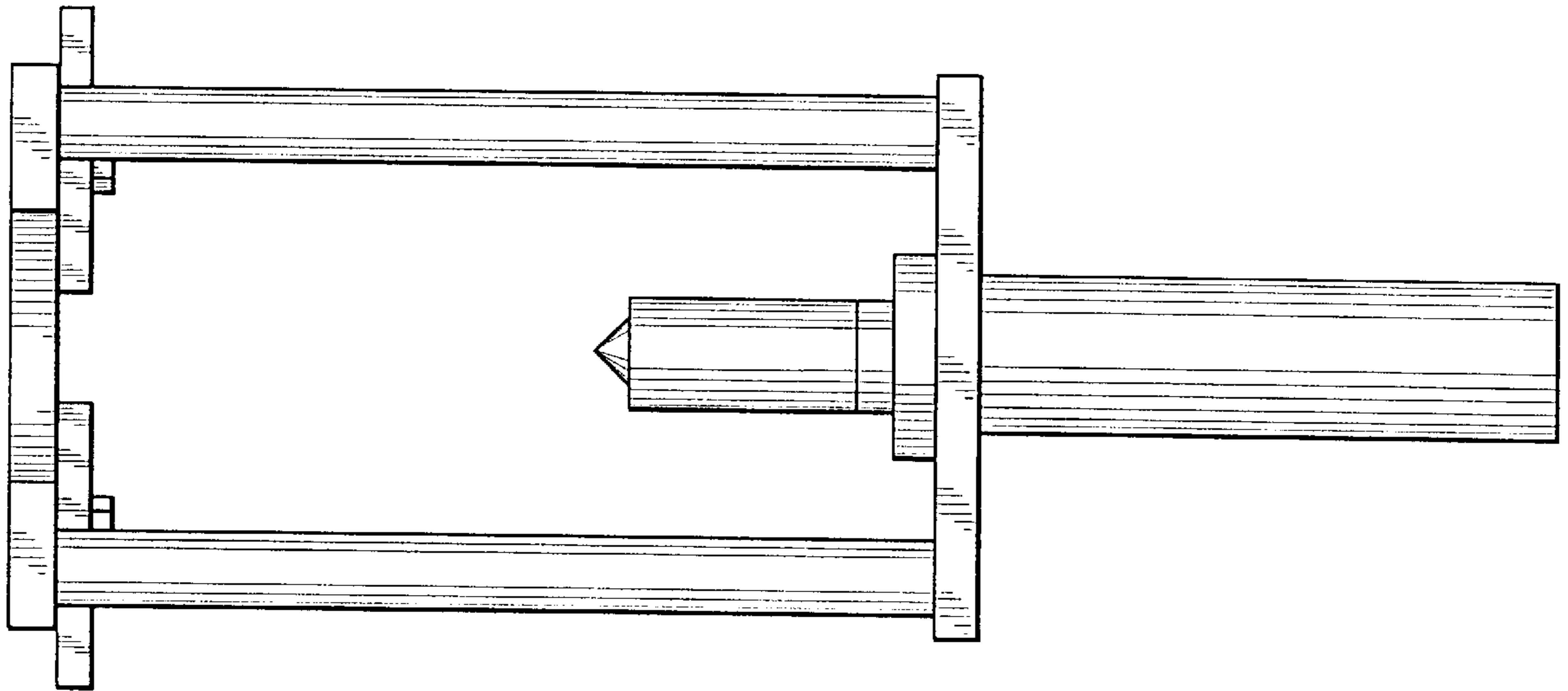


FIG. 3

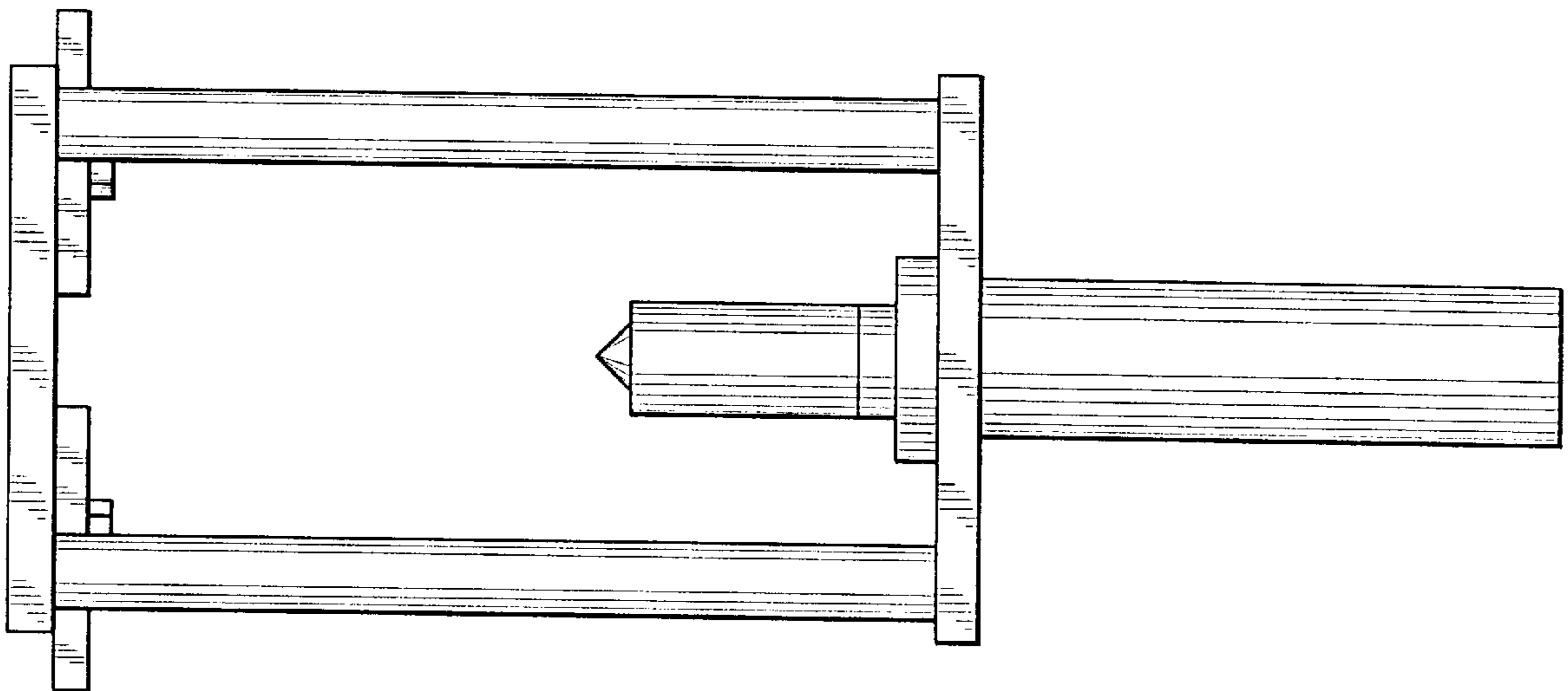


FIG. 4

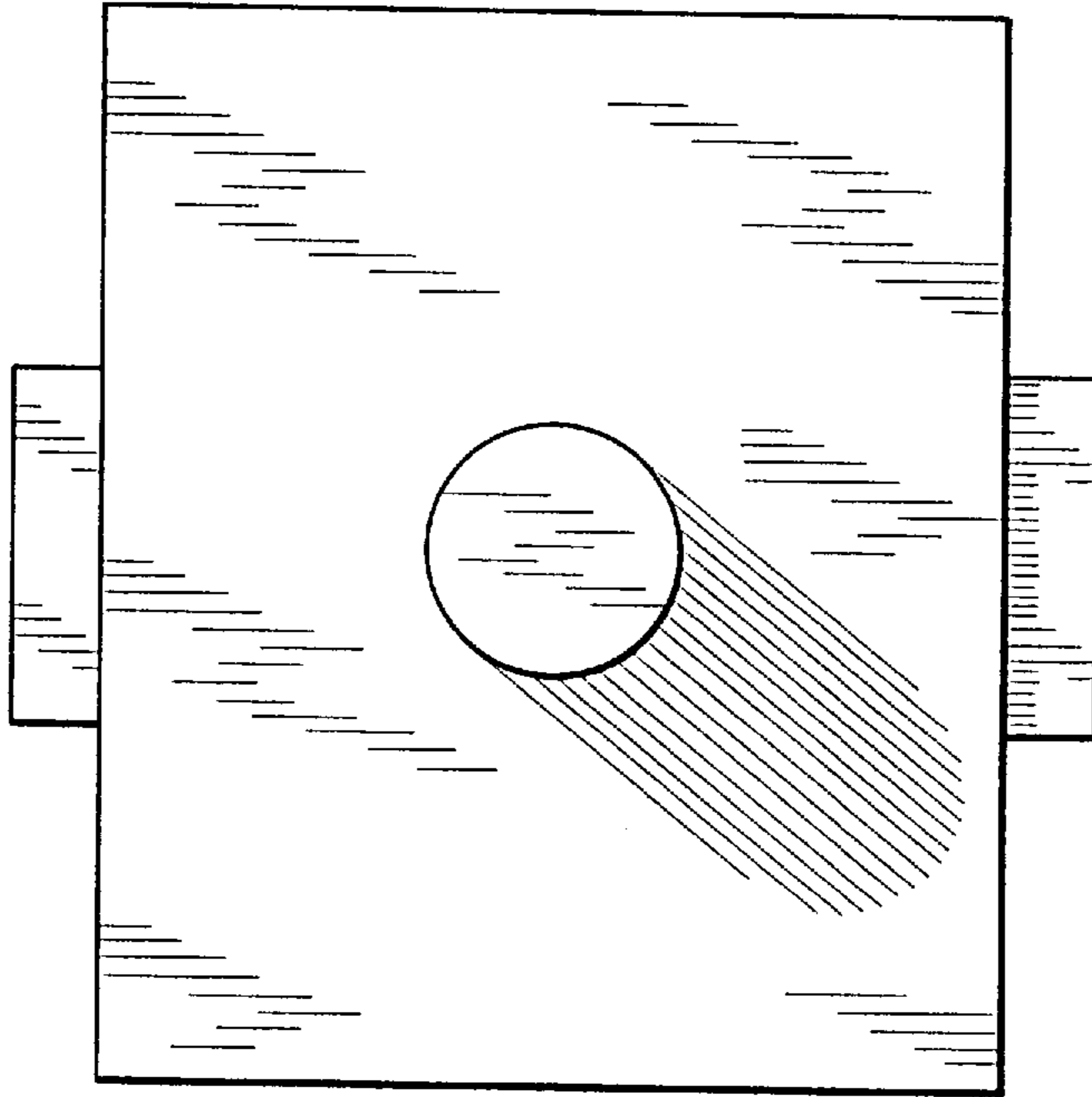


FIG. 5

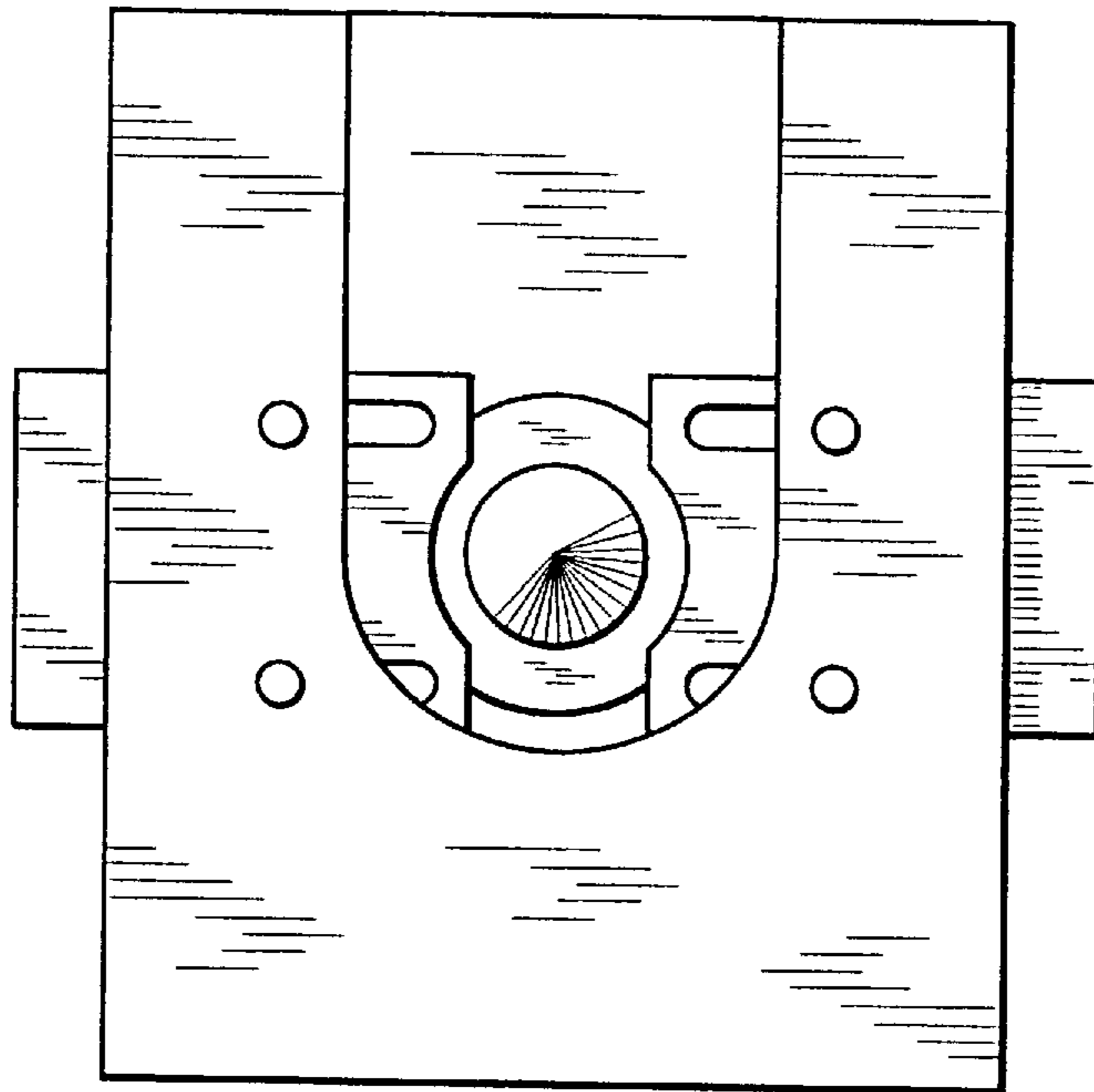


FIG. 6

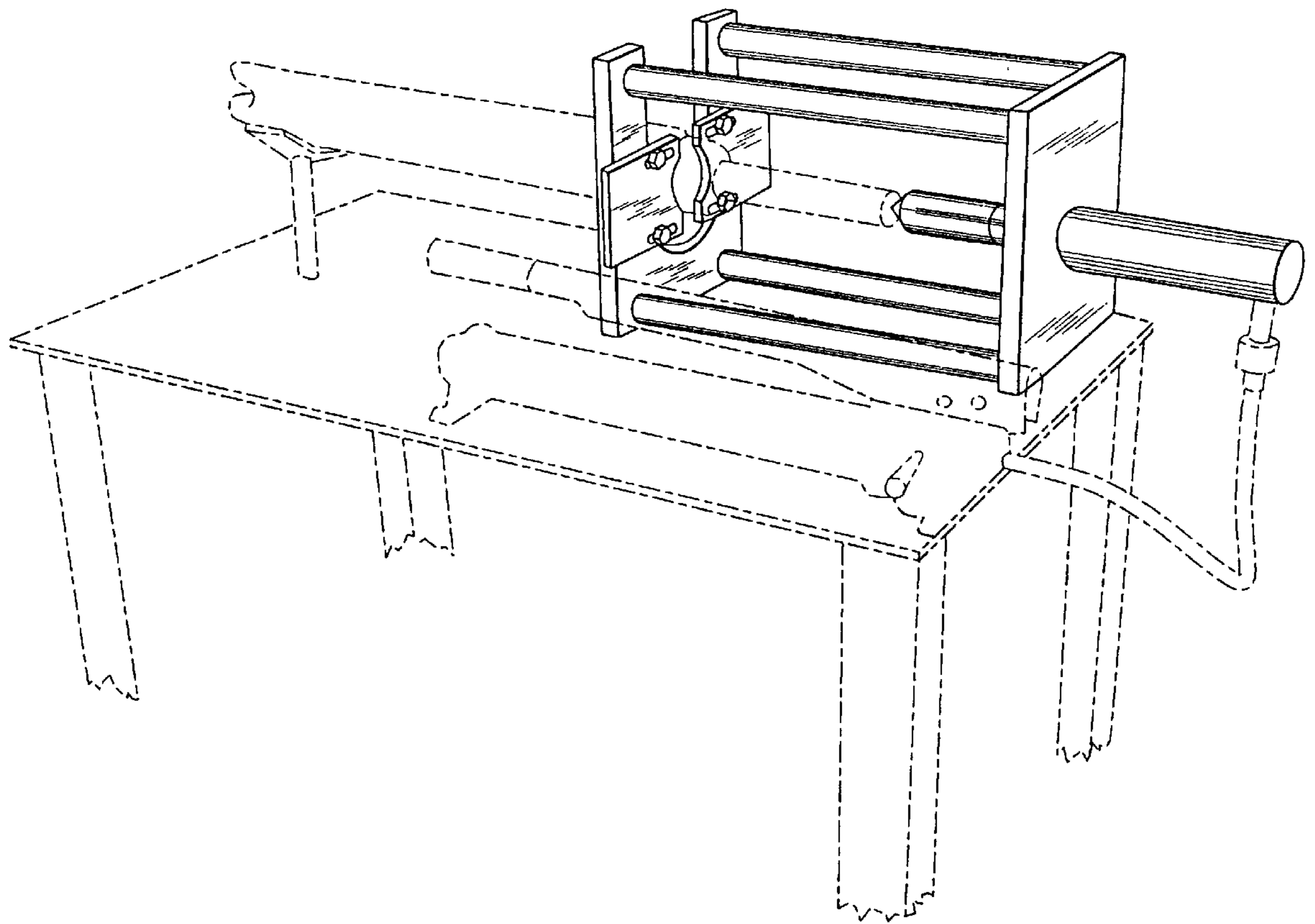


FIG. 7