



US00D398821S

# United States Patent [19]

Jones

[11] **Patent Number: Des. 398,821**

[45] **Date of Patent: \*\*Sep. 29, 1998**

[54] **TOOL TO REMOVE P.C.V. SCREEN FROM 1986-1990 FORD CARS**

4,377,956 3/1983 Cooper ..... 81/444

[76] Inventor: **Joseph R. Jones**, 158 E. 87th St., Brooklyn, N.Y. 11236

*Primary Examiner*—Sandra L. Morris  
*Assistant Examiner*—Richelle Shelton

[\*\*] Term: **14 Years**

[57] **CLAIM**

The ornamental design for a tool to remove P.C.V. screen from 1986-1990 ford cars, as shown and described.

[21] Appl. No.: **73,590**

**DESCRIPTION**

[22] Filed: **Jul. 11, 1997**

[51] **LOC (6) Cl.** ..... **08-05**

[52] **U.S. Cl.** ..... **D8/14**

[58] **Field of Search** ..... D8/1, 14, 21; 81/459, 81/444; 29/280, 281, 240.5

FIG. 1 is a front elevational view of the tool to remove P.C.V. screen from 1986-1990 ford cars showing my new design; FIG. 2 is a rear elevational view thereof; FIG. 3 is a right side view thereof; FIG. 4 is a left side view thereof; FIG. 5 is a top plan view thereof; and, FIG. 6 is a bottom plan view thereof. In FIGS. 1-4, the device is shown broken away to indicate indeterminate length.

[56] **References Cited**

**U.S. PATENT DOCUMENTS**

- D. 284,637 7/1986 Erickson et al. .... D8/21
- D. 310,467 9/1990 Taylor ..... D8/14

**1 Claim, 2 Drawing Sheets**

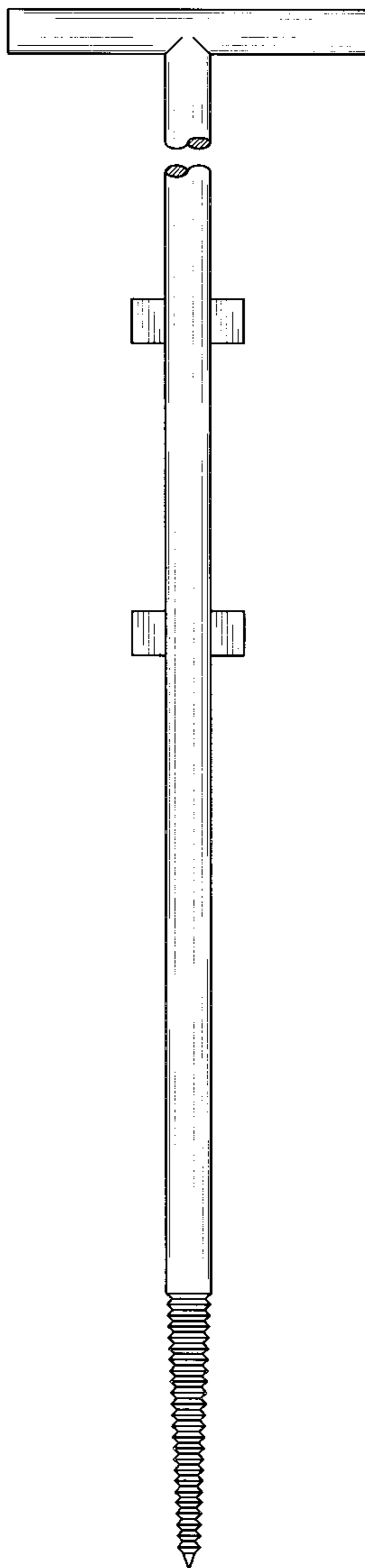


FIG. 1

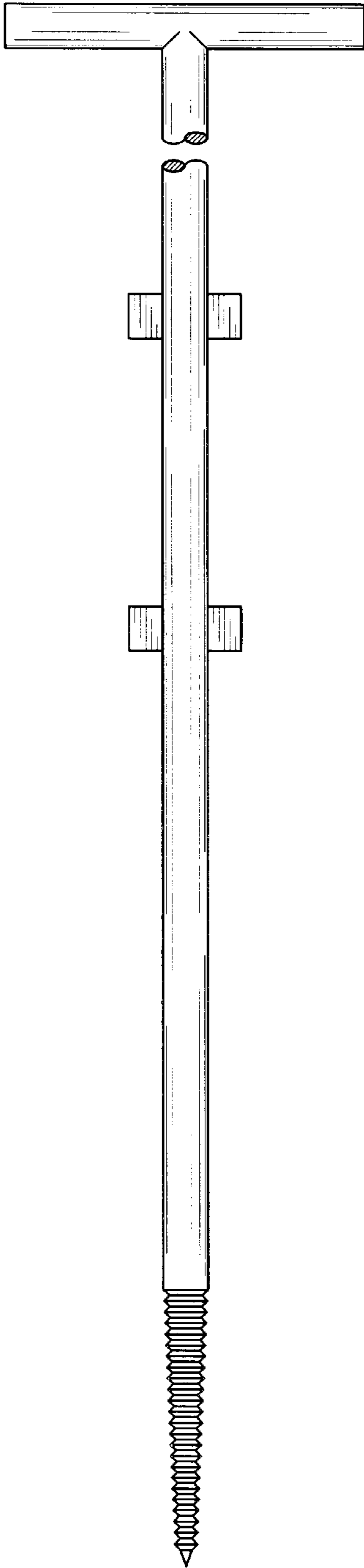


FIG. 2

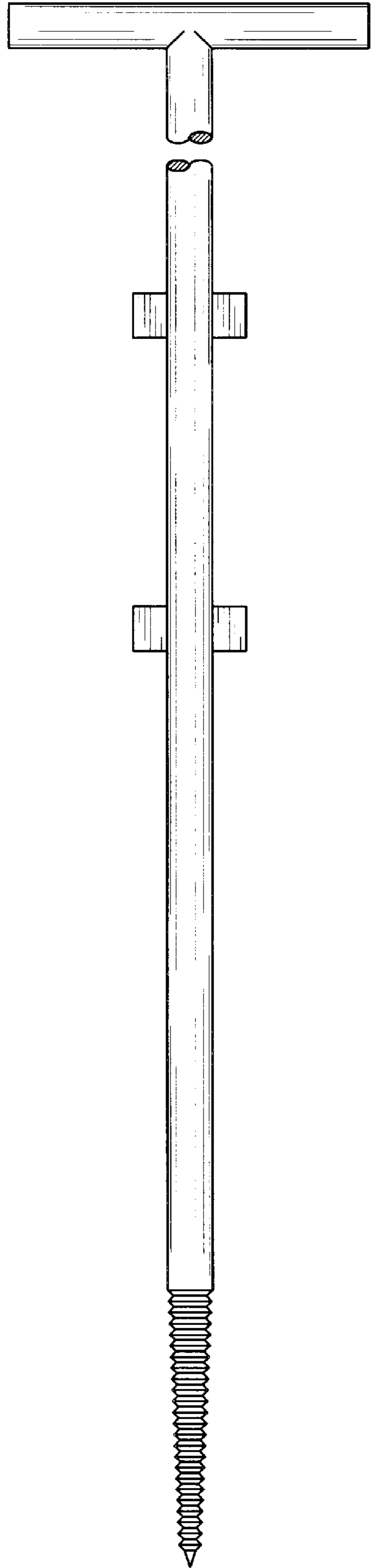


FIG. 3

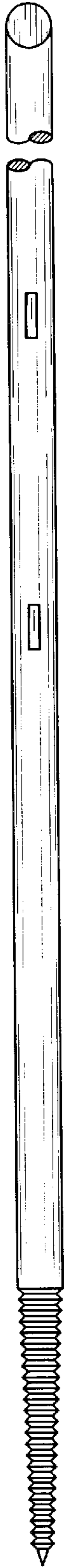


FIG. 4

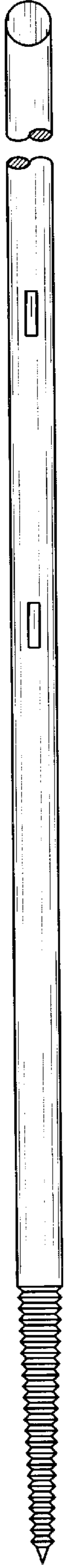


FIG. 5

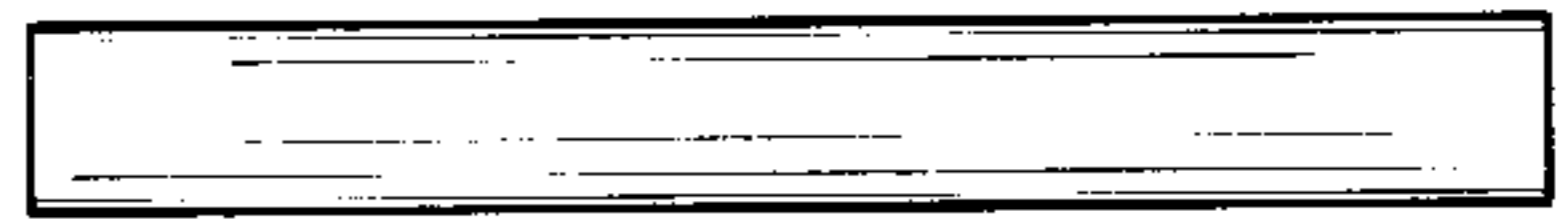


FIG. 6

