



US00D398817S

United States Patent [19]

Meisner et al.

[11] **Patent Number: Des. 398,817**

[45] **Date of Patent: **Sep. 29, 1998**

[54] **VEGETATION CUTTER**

[75] Inventors: **Edward Meisner**, Short Hills; **Thomas Van Dyk**, Prospect Park; **Michael Ballone**, New Providence, all of N.J.; **Roger Q. Smith**, Reisterstown, Md.

[73] Assignee: **Black & Decker Inc.**, Newark, Del.

[**] Term: **14 Years**

[21] Appl. No.: **68,493**

[22] Filed: **Mar. 21, 1997**

Related U.S. Application Data

[62] Division of Ser. No. 40,283, Jun. 14, 1995, Pat. No. Des. 382,450.

[51] **LOC (6) Cl. 08-05**

[52] **U.S. Cl. D8/8**

[58] **Field of Search D8/8; 56/12.7; 30/276, 349**

[56] References Cited

U.S. PATENT DOCUMENTS

D. 249,630	9/1978	Ballas	D8/8
D. 251,699	5/1979	Averitt	D8/8
D. 251,961	5/1979	Averitt	D8/8
D. 255,764	7/1980	Lombard	D8/8
D. 292,980	12/1987	Tomita et al. .	
D. 301,009	5/1989	Pilatowicz et al. .	
D. 307,860	5/1990	Ellis .	
D. 317,852	7/1991	Fujiwara et al.	D8/8
D. 320,398	10/1991	Clivio	D8/8
D. 335,674	5/1993	Hoshino .	
D. 336,223	6/1993	Miyamoto et al.	D8/8
D. 349,220	8/1994	Griffin	D8/8
D. 349,221	8/1994	Griffin	D8/8
D. 351,768	10/1994	Griffin .	
D. 354,892	1/1995	Griffin .	
D. 356,014	3/1995	Griffin	D8/8

4,200,978	5/1980	Irelan et al. .
4,285,128	8/1981	Schnell et al. .
4,338,719	7/1982	Burkholder .
4,501,332	2/1985	Straayer .
4,578,863	4/1986	Laverick .
4,679,385	7/1987	Carminie .
4,733,471	3/1988	Rahe .
4,823,464	4/1989	Gorski .
4,825,548	5/1989	Driggers .
4,987,732	1/1991	Terai et al. .
5,027,591	7/1991	Nakamura et al. .
5,181,369	1/1993	Everts .
5,265,341	11/1993	Kikuchi .

FOREIGN PATENT DOCUMENTS

0515909 5/1992 European Pat. Off. .

OTHER PUBLICATIONS

German publication M 92 05 166.9, 1993.
German publication M 94 07 032.6, 1995.
German publication M 91 03 881 Jan. 25, 1992.
International Designs Bulletin—Dec. 1992 DM/024 776.

Primary Examiner—Holly Baynham
Attorney, Agent, or Firm—Charles E. Yocum; Kerry H. Owens

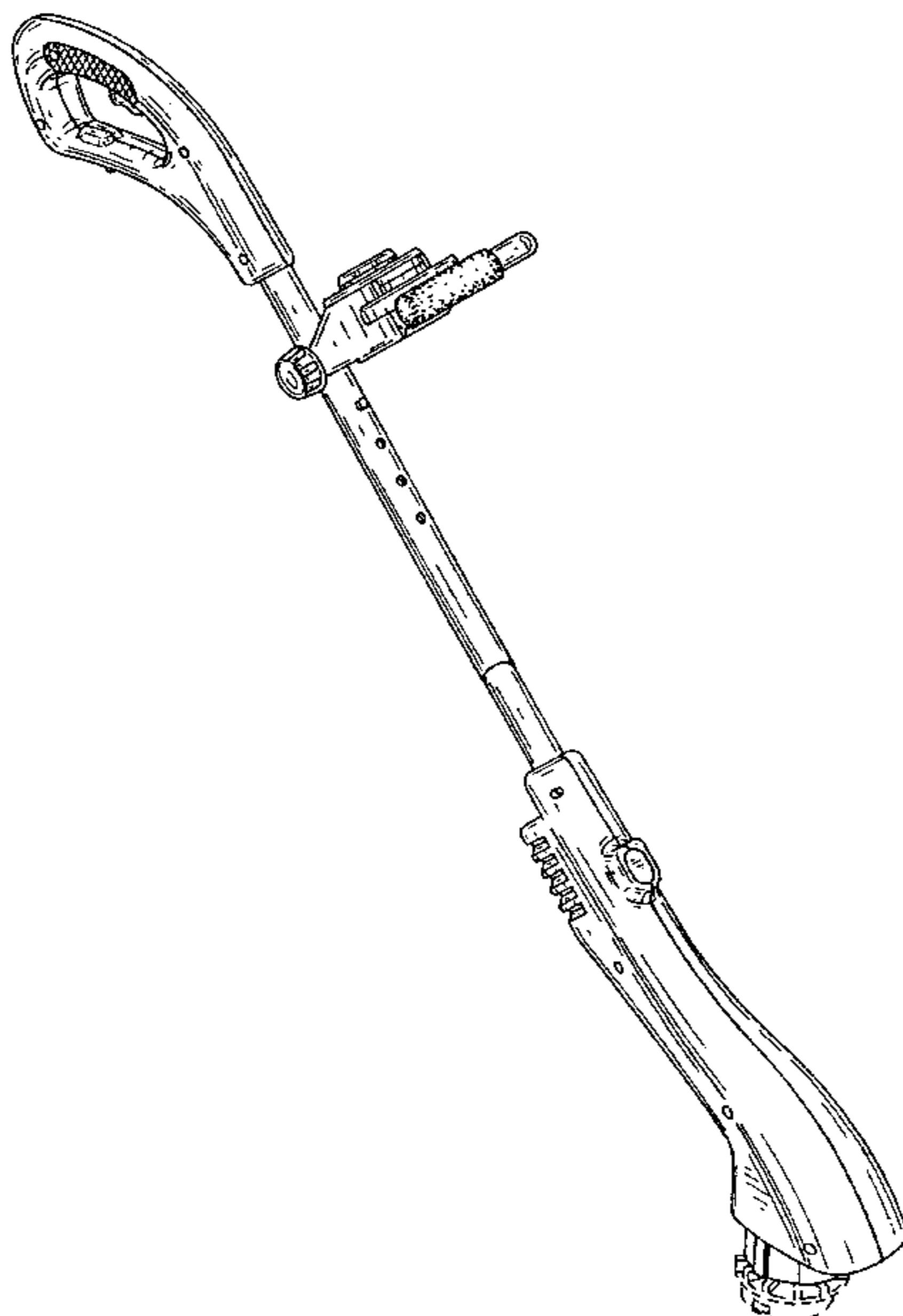
[57] CLAIM

The ornamental design for a vegetation cutter, as shown and described.

DESCRIPTION

FIG. 1 is a perspective view of the right side of the vegetation cutter in accordance with the present invention; FIG. 2 is a bottom view of the vegetation cutter of FIG. 1; FIG. 3 is a top view of the vegetation cutter of FIG. 1; FIG. 4 is a rear view of the vegetation cutter of FIG. 1; FIG. 5 is a front view of the vegetation cutter of FIG. 1; FIG. 6 is a right view of the vegetation cutter of FIG. 1; and, FIG. 7 is a left view of the vegetation cutter of FIG. 1.

1 Claim, 5 Drawing Sheets



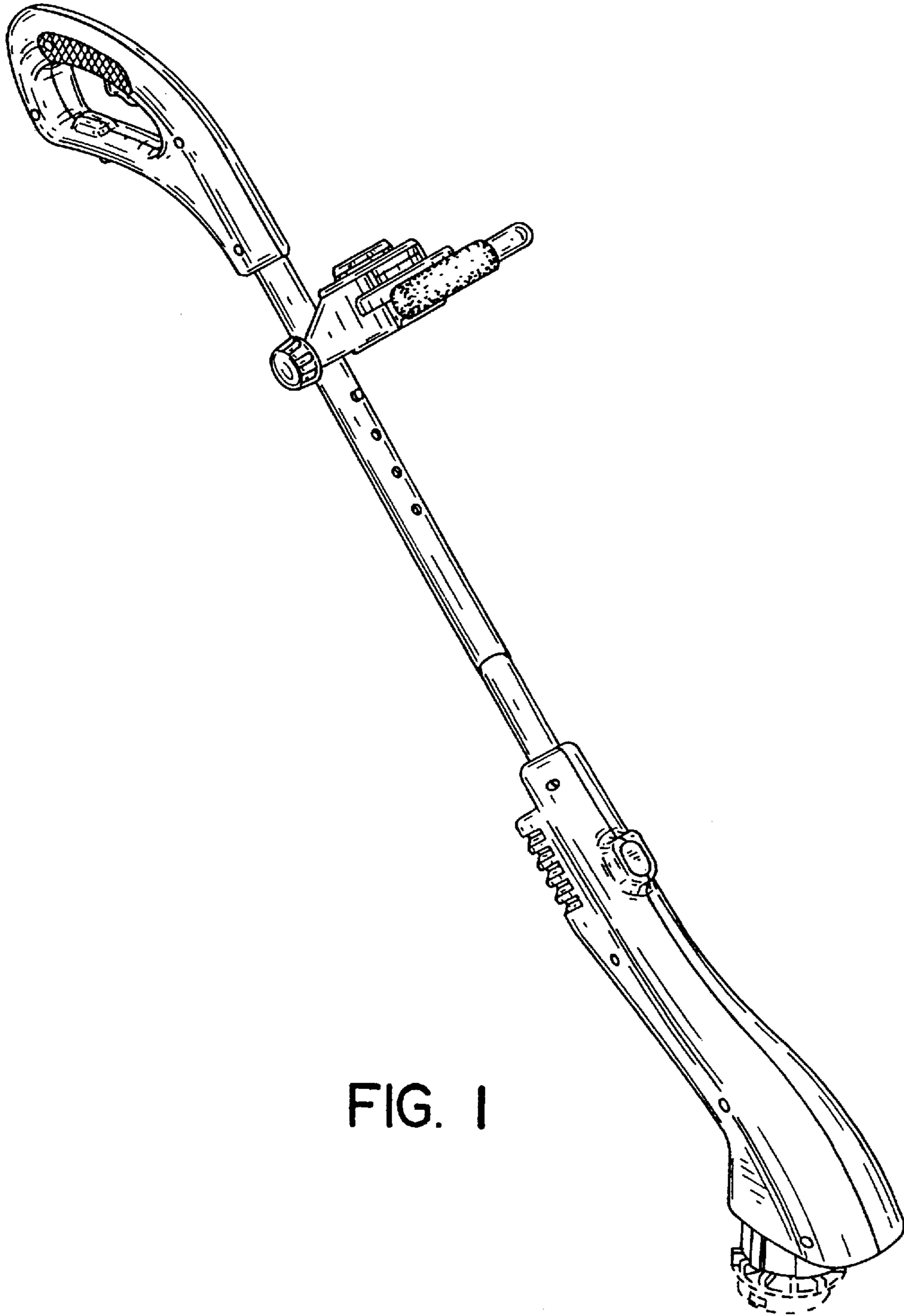


FIG. 1

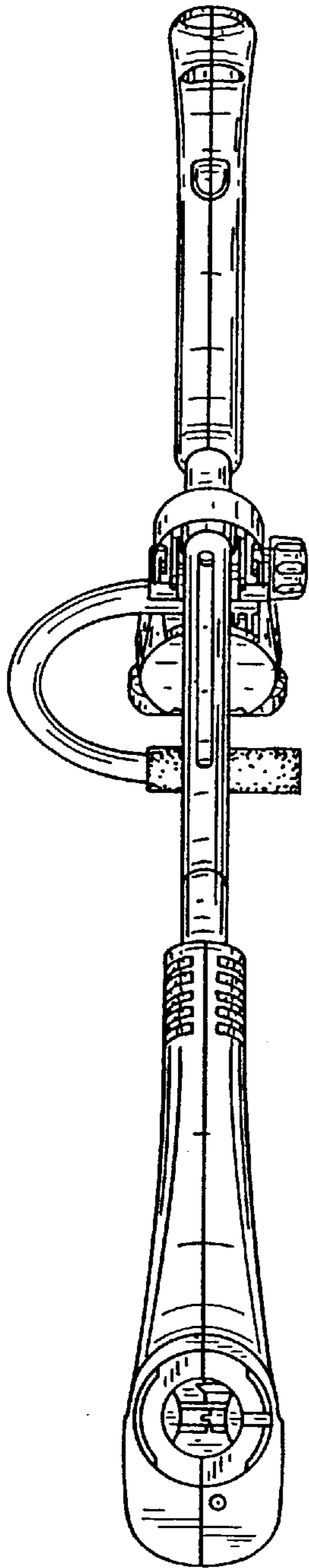


FIG. 2

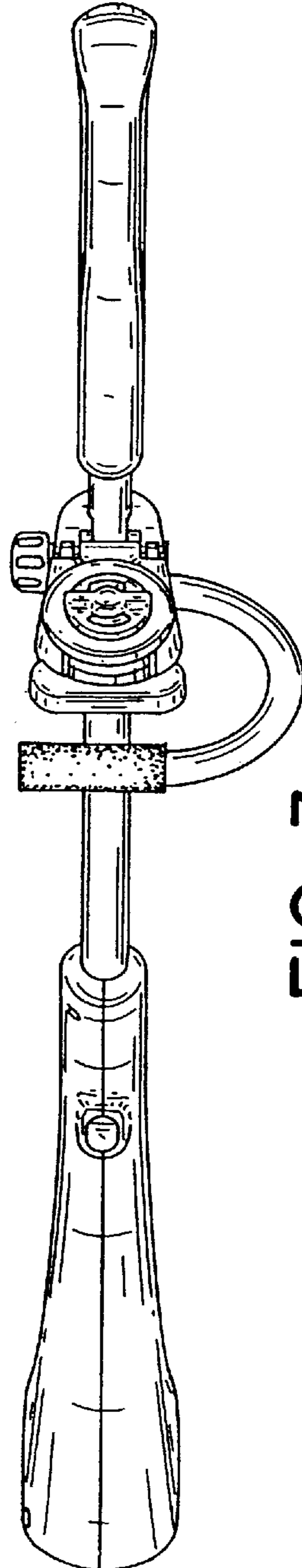


FIG. 3

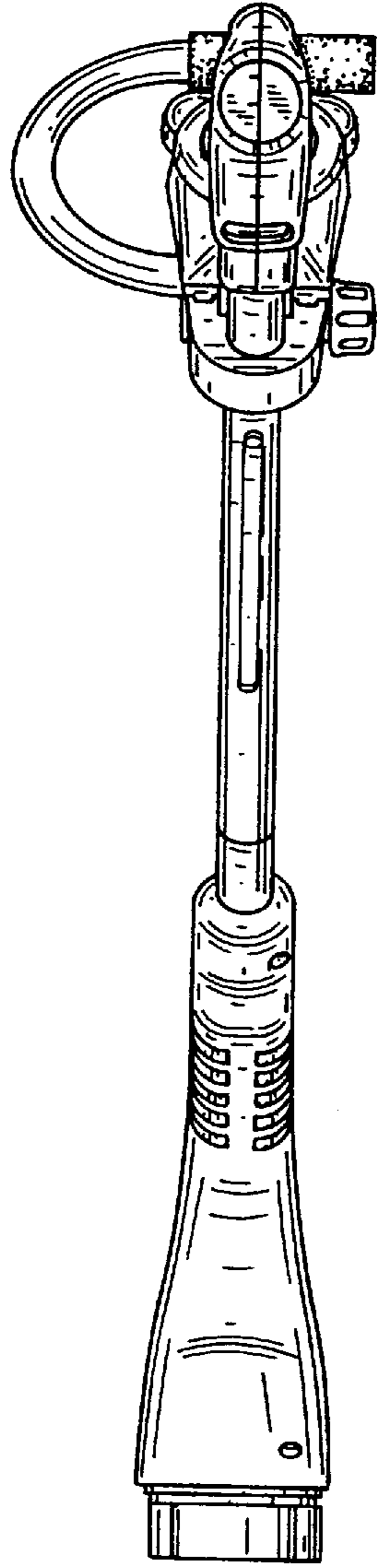


FIG. 4

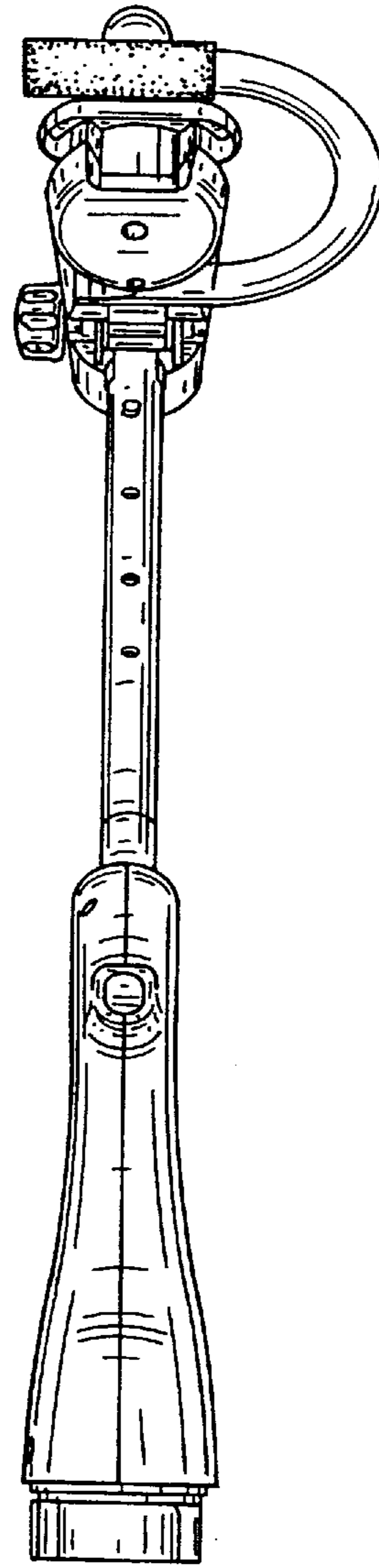


FIG. 5

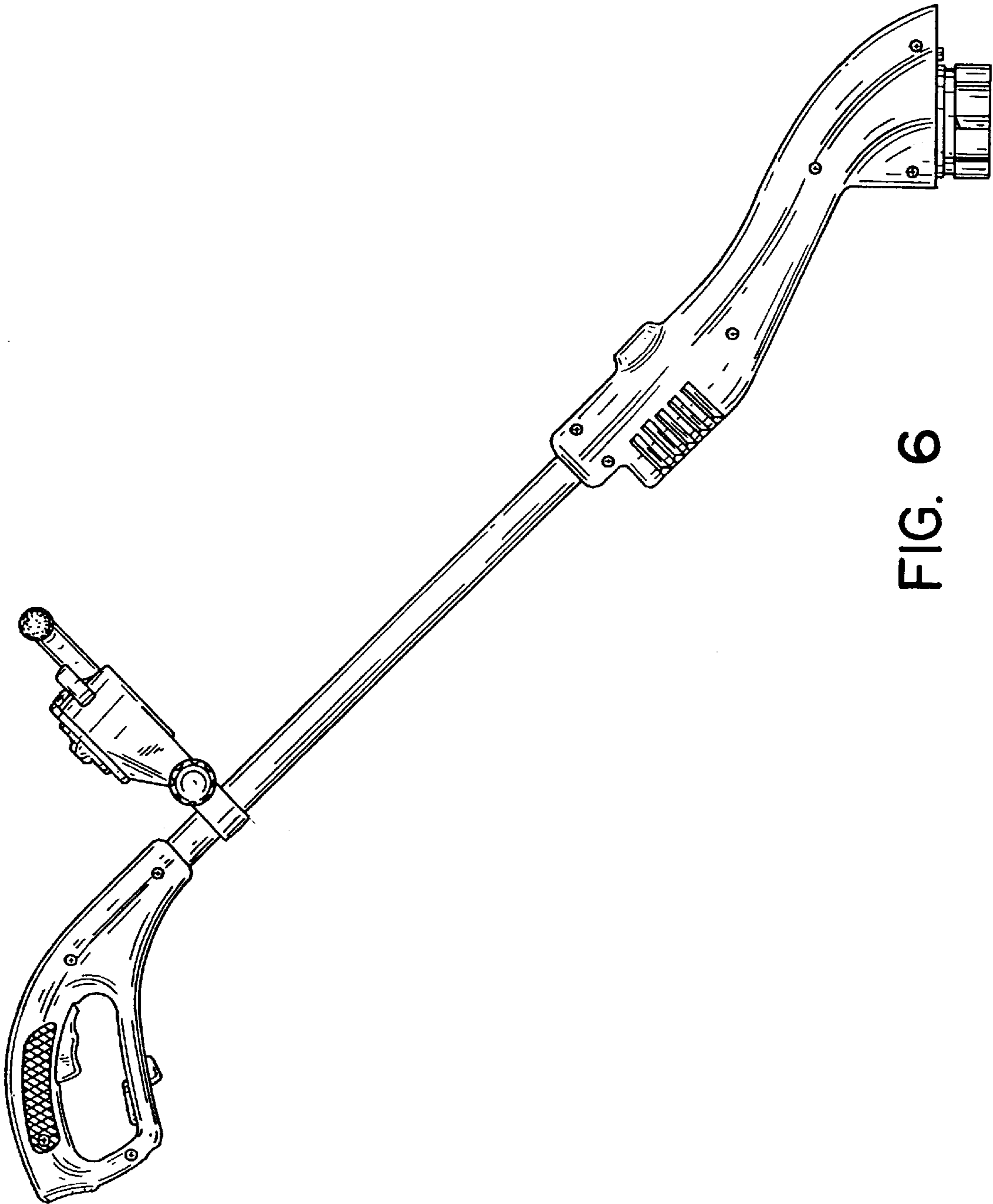


FIG. 6

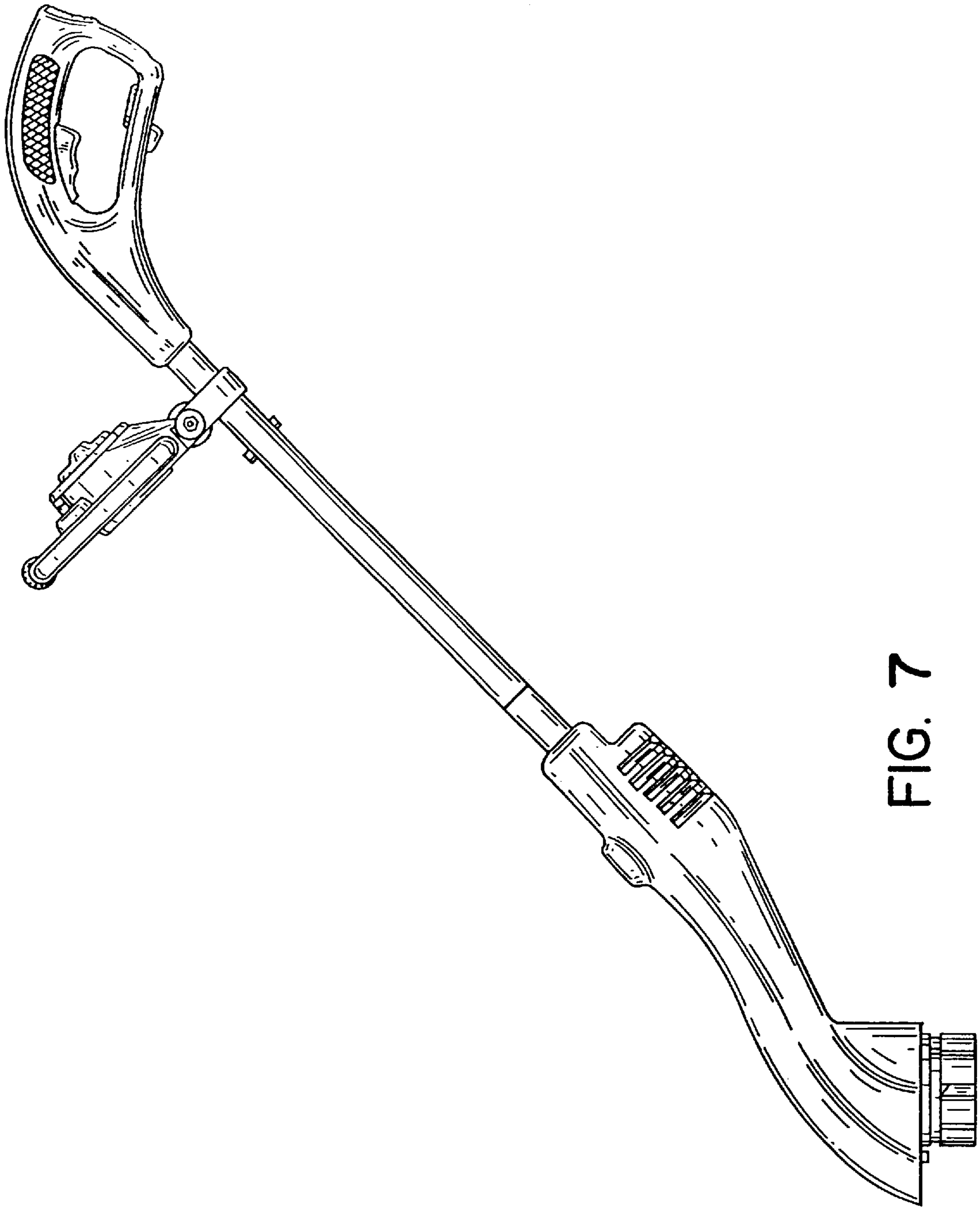


FIG. 7