



US00D398815S

United States Patent [19]

Hatsumoto et al.

[11] Patent Number: **Des. 398,815**

[45] Date of Patent: ****Sep. 29, 1998**

[54] **CUP**

[75] Inventors: **Kunio Hatsumoto; Yasuhiro Kowa; Takeshi Kuwana**, all of Tokyo, Japan

[73] Assignee: **Nippon Sanso Corporation**, Tokyo, Japan

[**] Term: **14 Years**

[21] Appl. No.: **77,778**

[22] Filed: **Oct. 9, 1997**

[30] Foreign Application Priority Data

Apr. 10, 1997 [JP] Japan 9-50827

[51] **LOC (6) Cl.** **07-01**

[52] **U.S. Cl.** **D7/533; D7/622**

[58] **Field of Search** D7/622, 507, 509, D7/510, 511, 513, 515, 533, 536, 300.1, 619; 220/703, 705, 717, 709, 713, 738, 739, 625

[56] References Cited

U.S. PATENT DOCUMENTS

D. 177,575 5/1956 Louik D7/511
D. 214,458 6/1969 Riley D7/510 X
D. 231,068 4/1974 Douglas D7/533

D. 331,684 12/1992 Trombley D7/536
D. 338,367 8/1993 Fonville D7/316 X
D. 363,414 10/1995 Goto et al. D7/533
D. 363,641 10/1995 Goto et al. D7/511
D. 370,384 6/1996 Shamis D7/622 X
D. 386,948 12/1997 Wissinger D7/533

FOREIGN PATENT DOCUMENTS

955180 6/1996 Japan .
964813 9/1996 Japan .

Primary Examiner—M. N. Pandozzi

Attorney, Agent, or Firm—McDermott, Will & Emery

[57] CLAIM

The ornamental design for the cup, as shown and described.

DESCRIPTION

FIG. 1 is a perspective view of a cup showing our new design;

FIG. 2 is a front elevational view thereof, the opposite side being a mirror image;

FIG. 3 is a left side elevational view thereof;

FIG. 4 is a right side elevational view thereof;

FIG. 5 is a top plan view thereof;

FIG. 6 is a bottom plan view thereof; and,

FIG. 7 is a cross-sectional view thereof, taken along line A—A of FIG. 4.

1 Claim, 5 Drawing Sheets

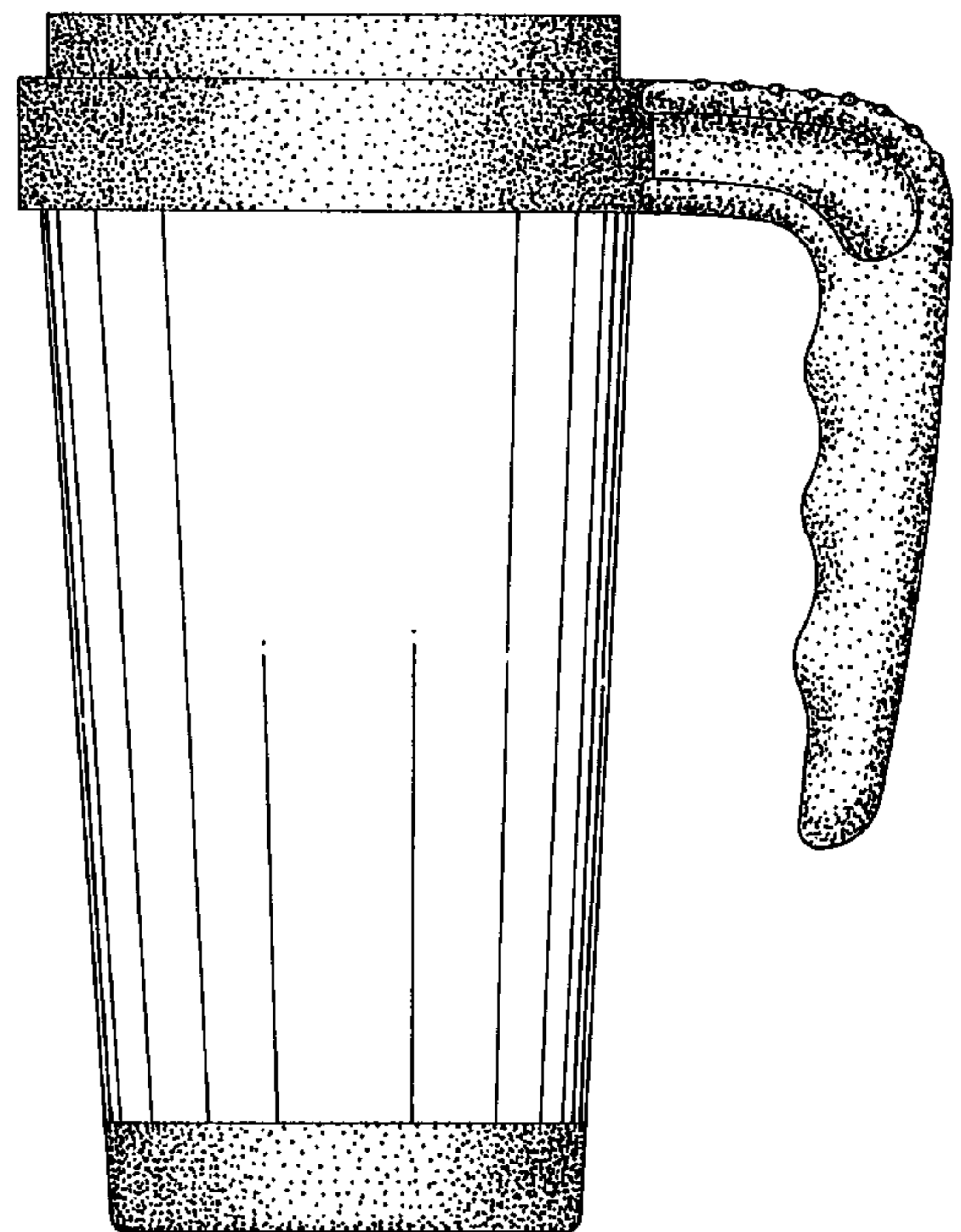
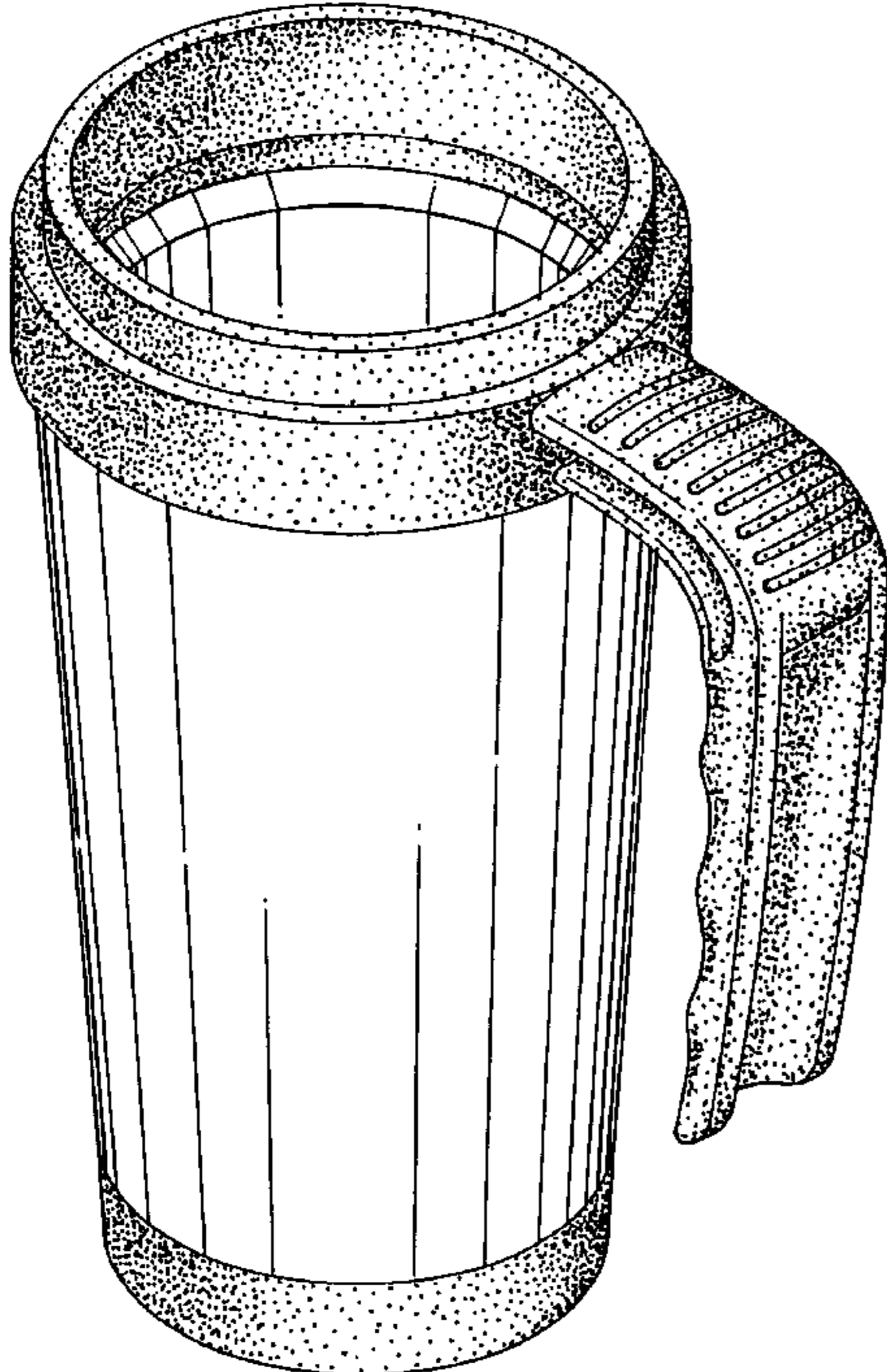


FIG. 1

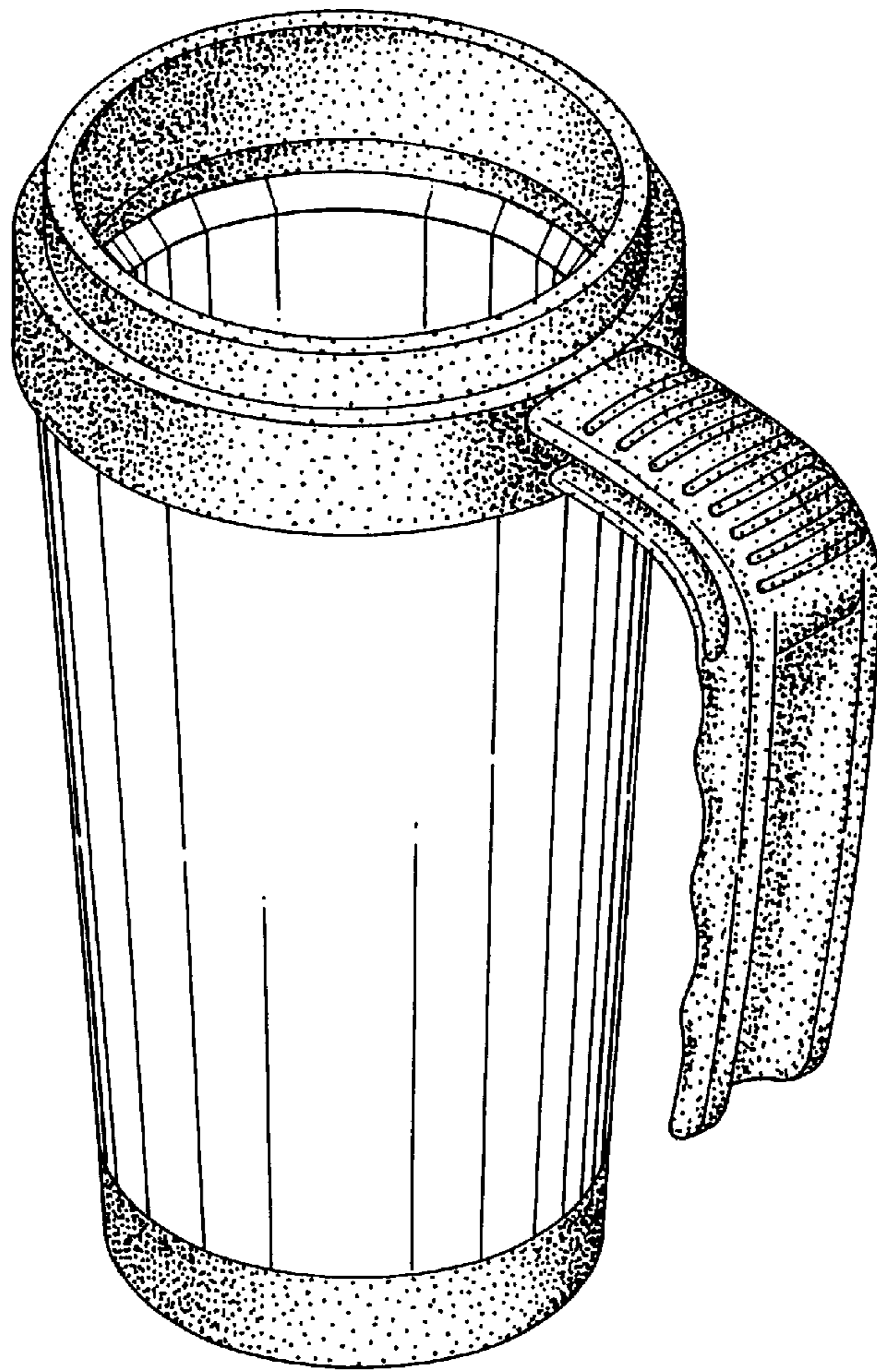


FIG. 2

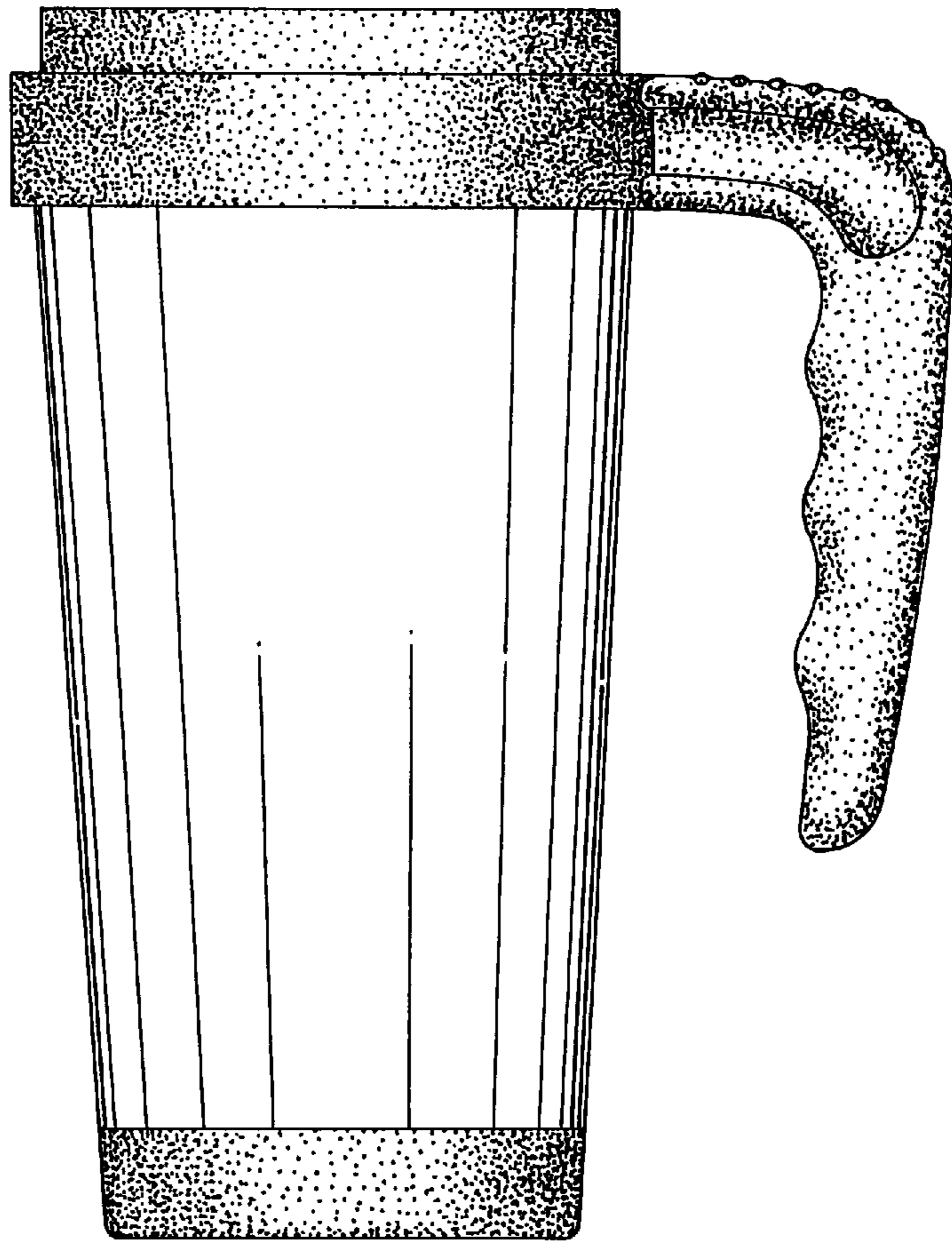


FIG. 3

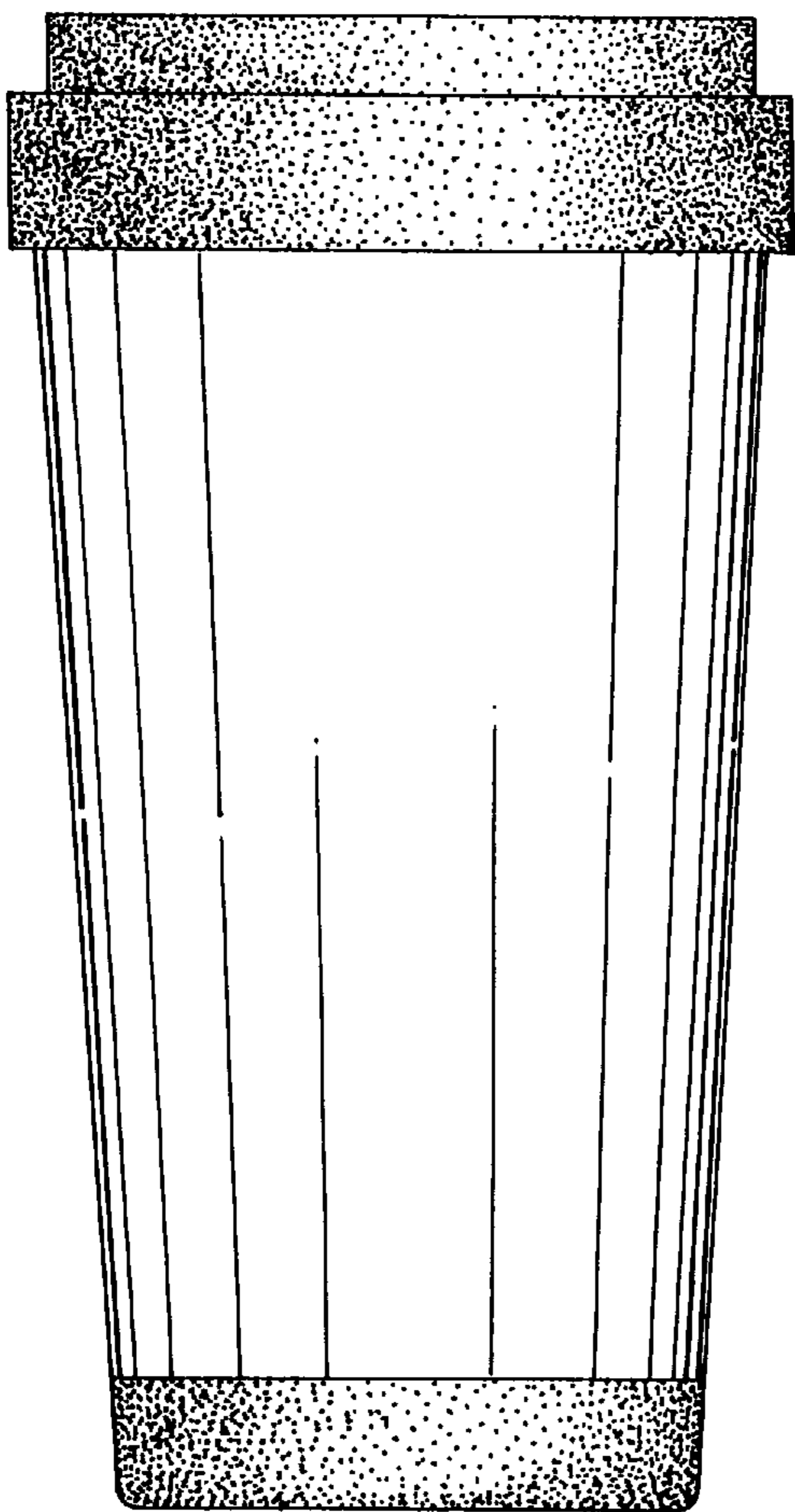


FIG. 4

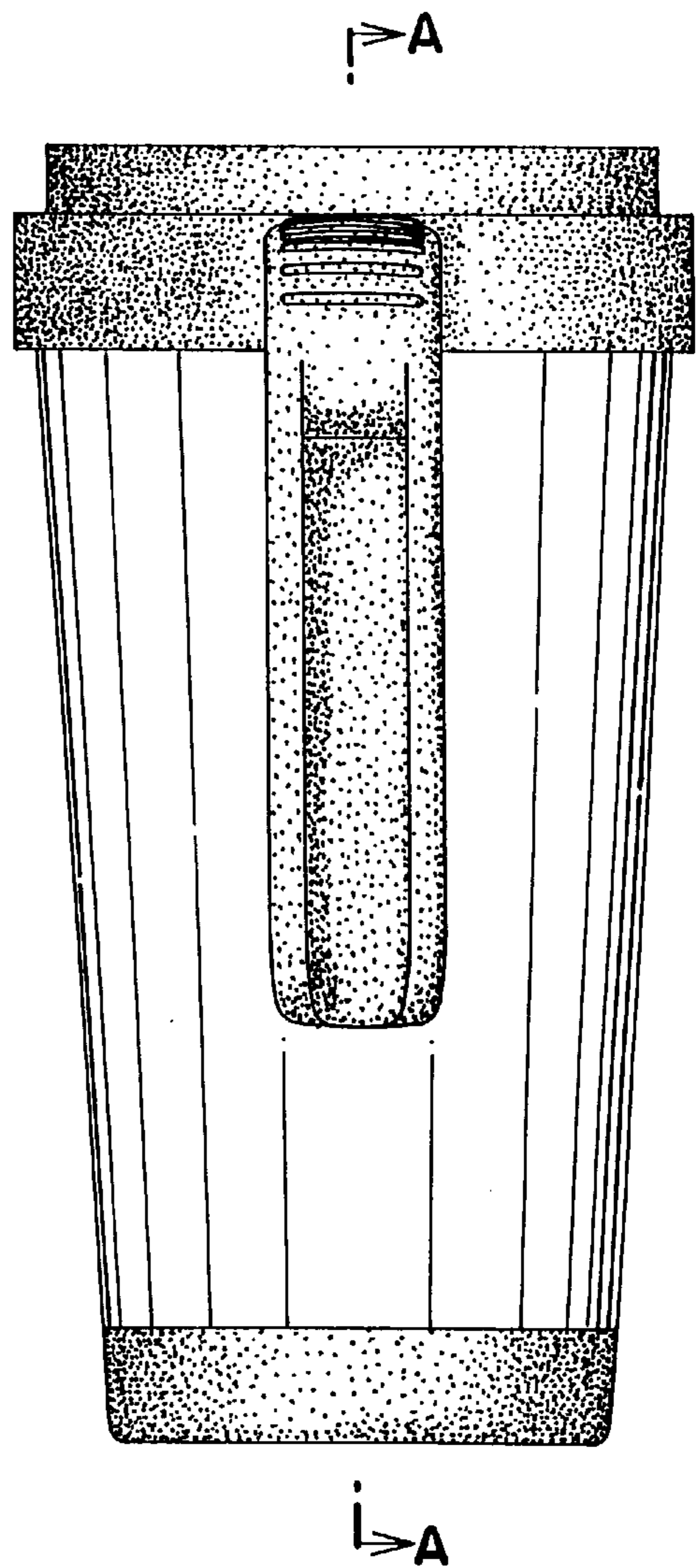


FIG. 5

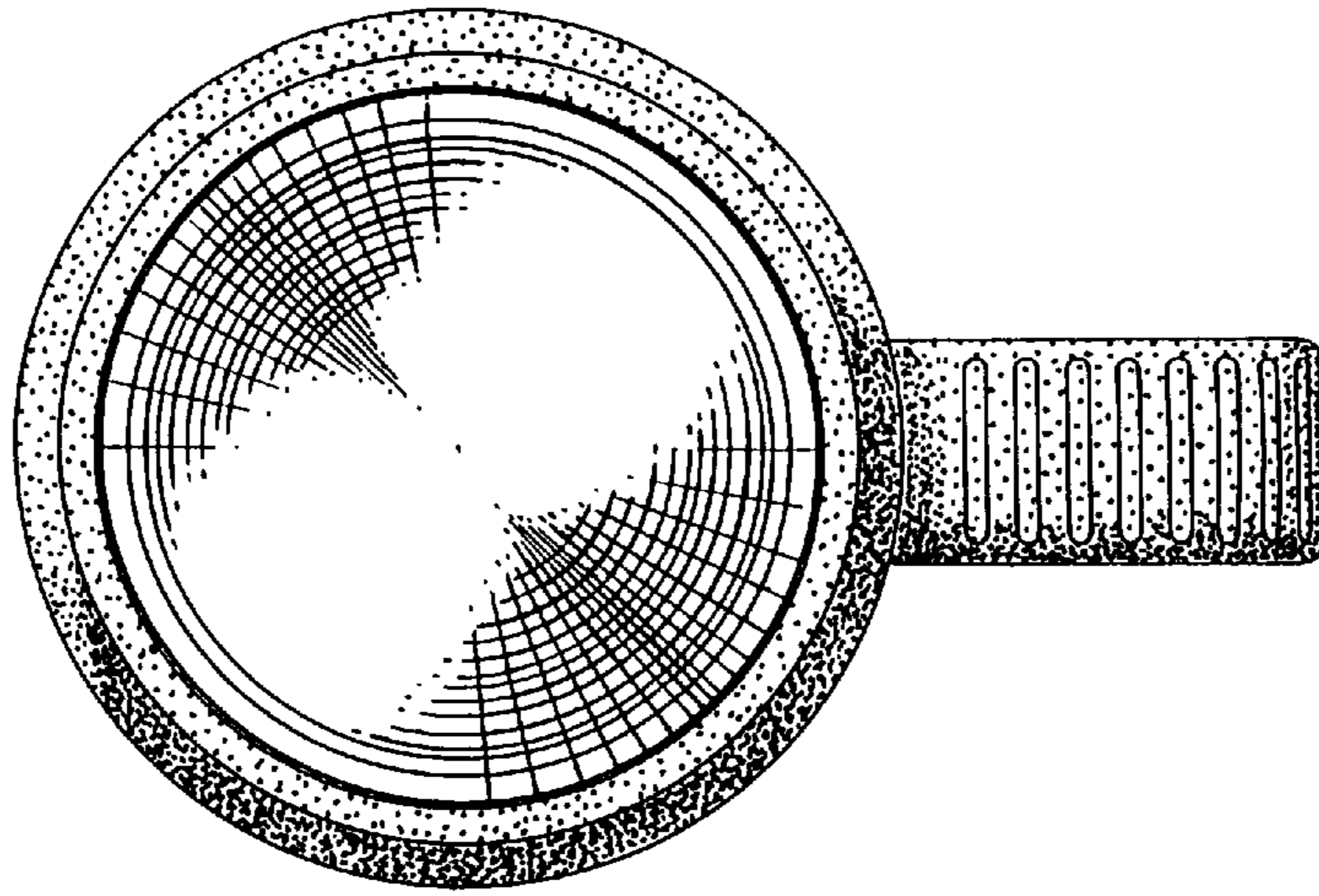


FIG. 6

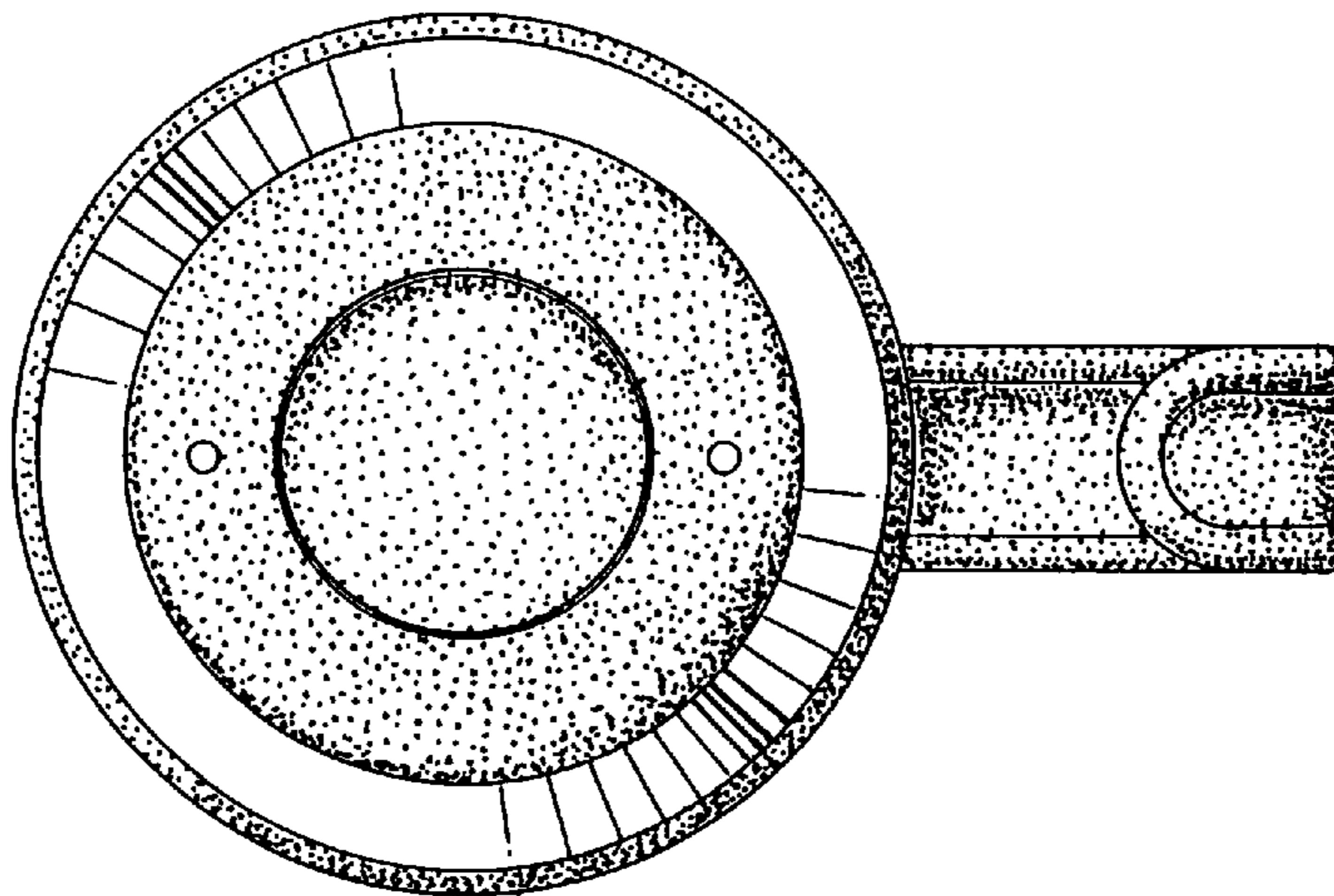


FIG. 7

