



US00D398810S

United States Patent [19] Cousins

[11] Patent Number: **Des. 398,810**

[45] Date of Patent: ****Sep. 29, 1998**

[54] **HAND MIXER**

3,529,317 9/1970 Schwarzkopf 16/110 R
3,640,641 2/1972 Fitzhugh 416/62
5,153,966 10/1992 Godwin 16/111 R

[75] Inventor: **Morison S. Cousins**, Winter Park, Fla.

[73] Assignee: **Dart Industries Inc.**, Orlando, Fla.

[**] Term: **14 Years**

[21] Appl. No.: **80,454**

[22] Filed: **Dec. 10, 1997**

[51] **LOC (6) Cl.** **31-00**

[52] **U.S. Cl.** **D7/379**

[58] **Field of Search** D7/376-386, 413;
366/129, 130, 197, 199, 204, 205, 314

[56] **References Cited**

U.S. PATENT DOCUMENTS

D. 98,698	2/1936	Patten	D7/379
D. 189,308	11/1960	Willman	D7/379
D. 204,408	4/1966	Fischer	D7/379
D. 319,944	9/1991	Adams et al.	D7/315
D. 337,690	7/1993	Bunn et al.	D7/317
D. 369,945	5/1996	Mulyanto	D7/536
D. 377,882	2/1997	Huang	D7/317

OTHER PUBLICATIONS

Advertisement, *Interiors*, Mar. 1965, p. 32.

Primary Examiner—Caron D. Veynar

Attorney, Agent, or Firm—John A. Doninger; Taylor J. Ross

[57] **CLAIM**

The ornamental design for a hand mixer, as shown and described.

DESCRIPTION

FIG. 1 is a top, side and front perspective view of a hand mixer showing my new design;
FIG. 2 is a right side elevation view thereof;
FIG. 3 is a left side elevation view thereof;
FIG. 4 is a front elevation view thereof;
FIG. 5 is a rear side elevation view thereof;
FIG. 6 is a top plan view thereof; and,
FIG. 7 is a bottom plan view thereof.

1 Claim, 4 Drawing Sheets

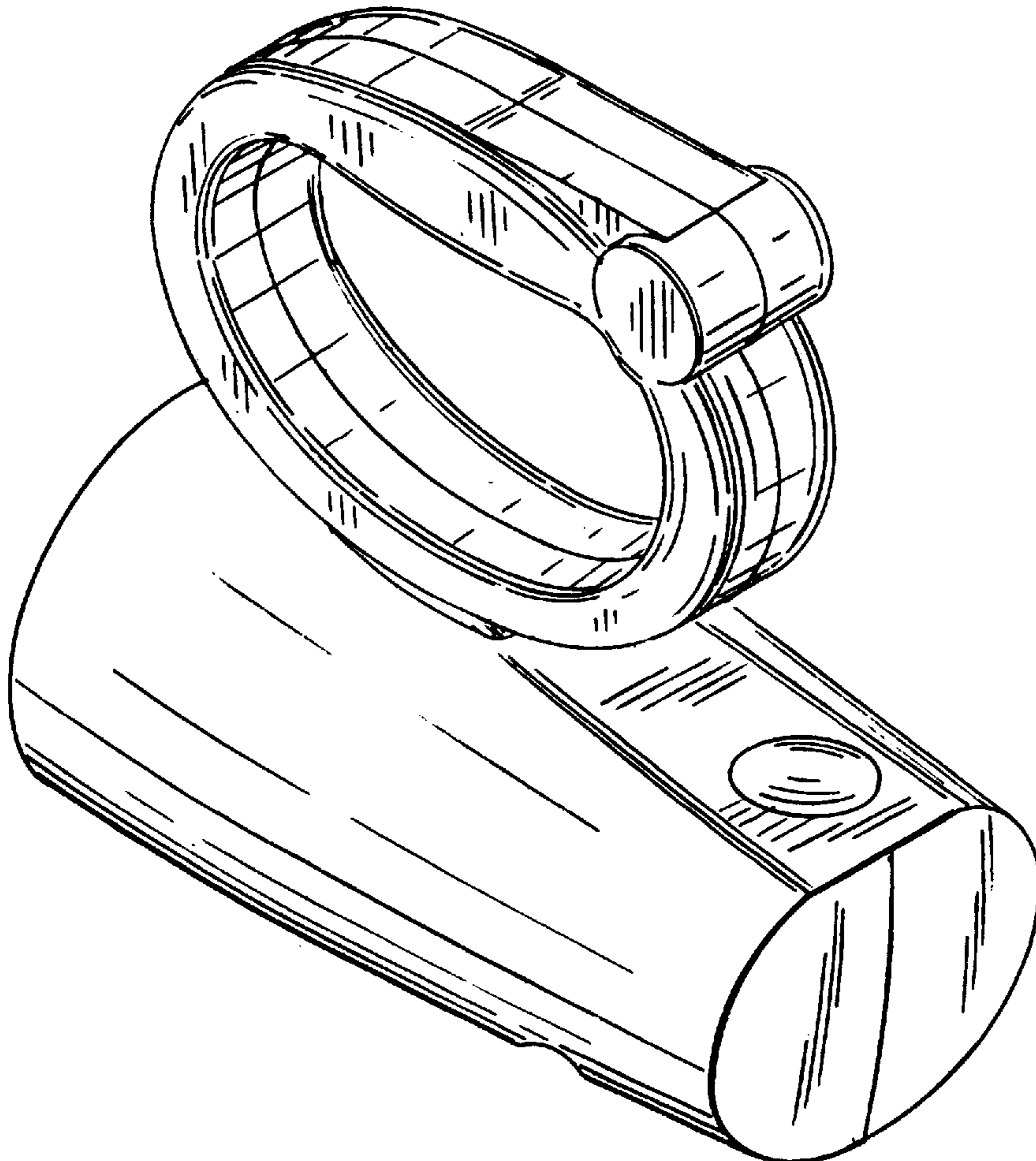


FIG 1

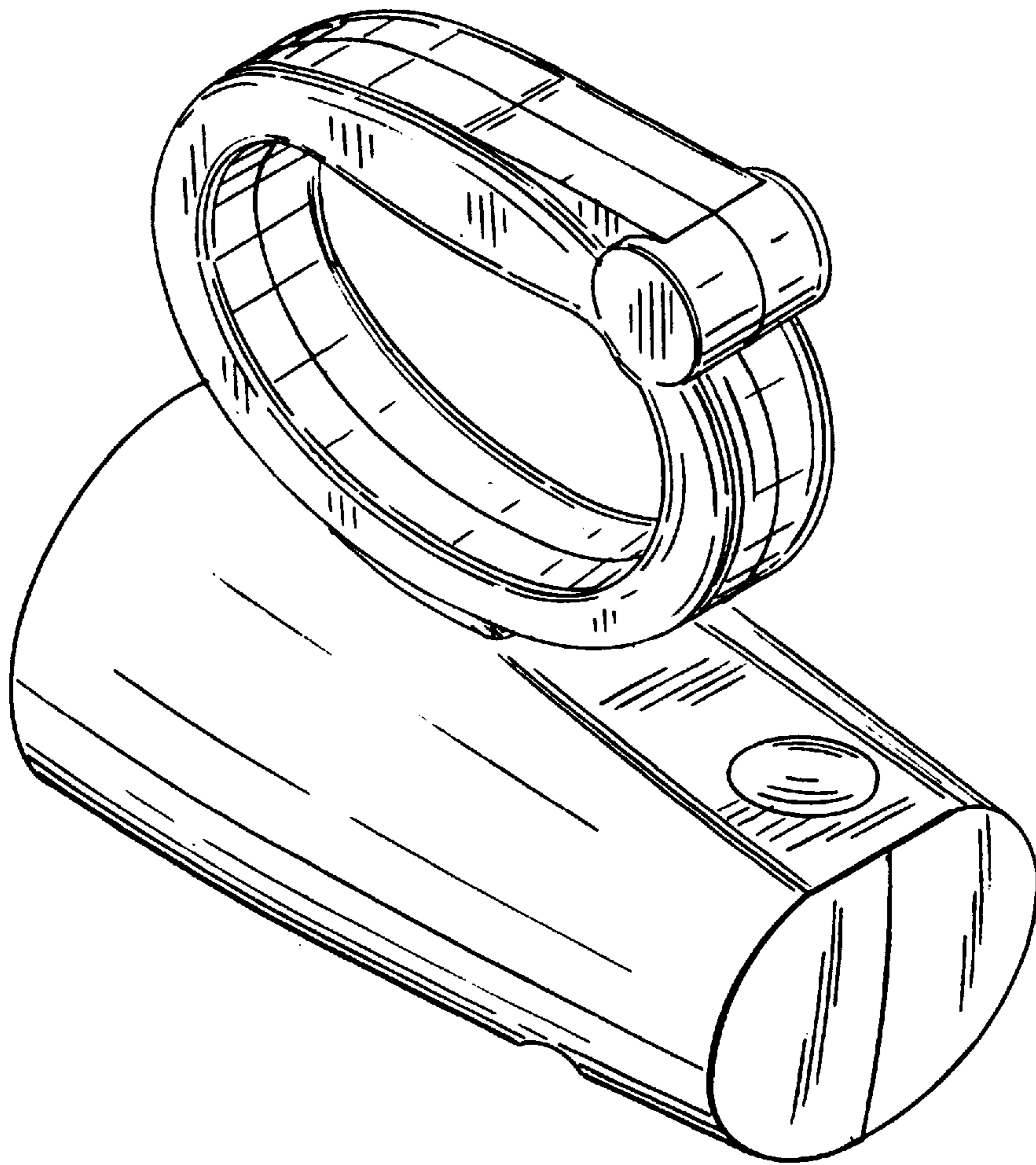


FIG 2

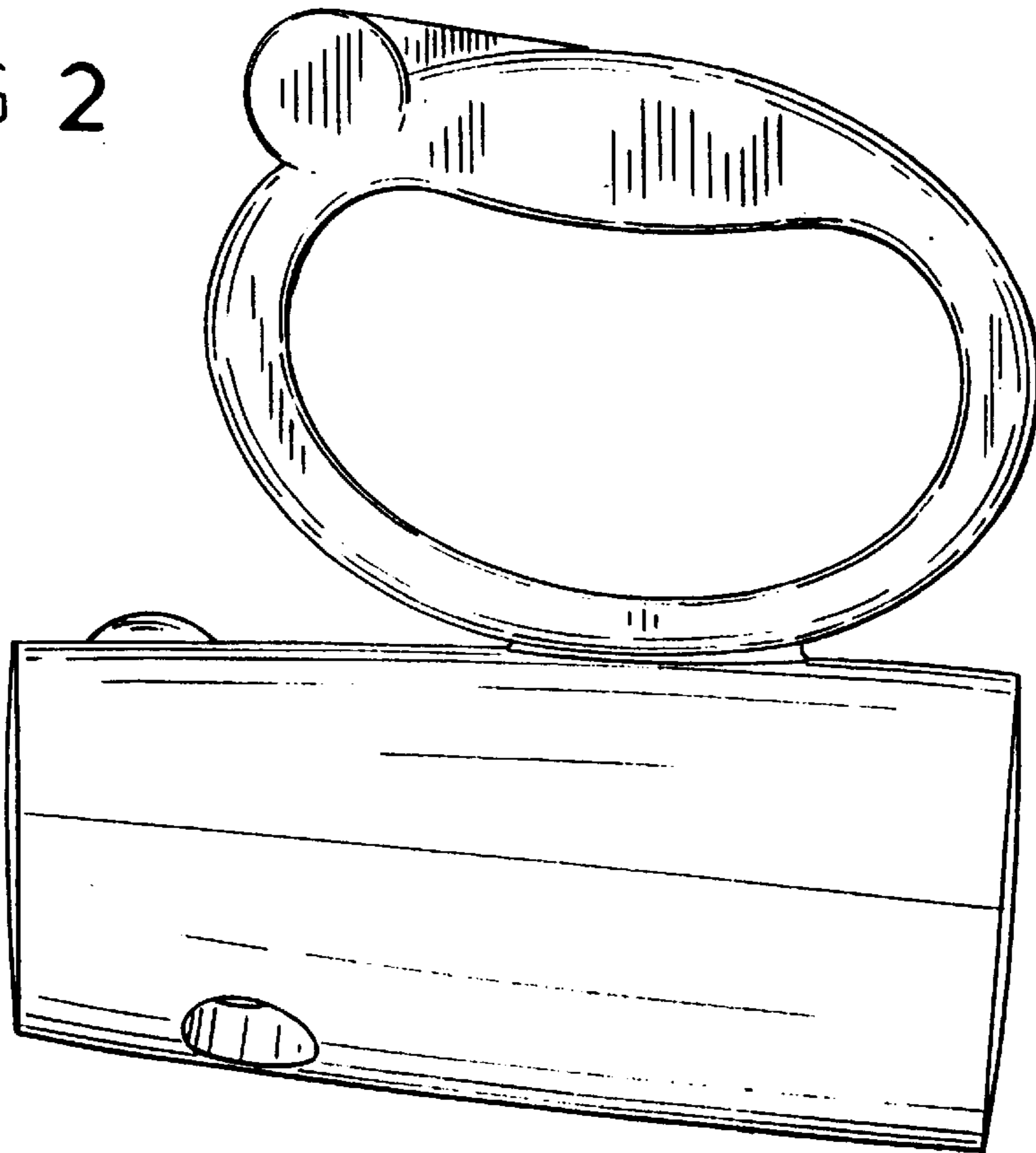


FIG 3

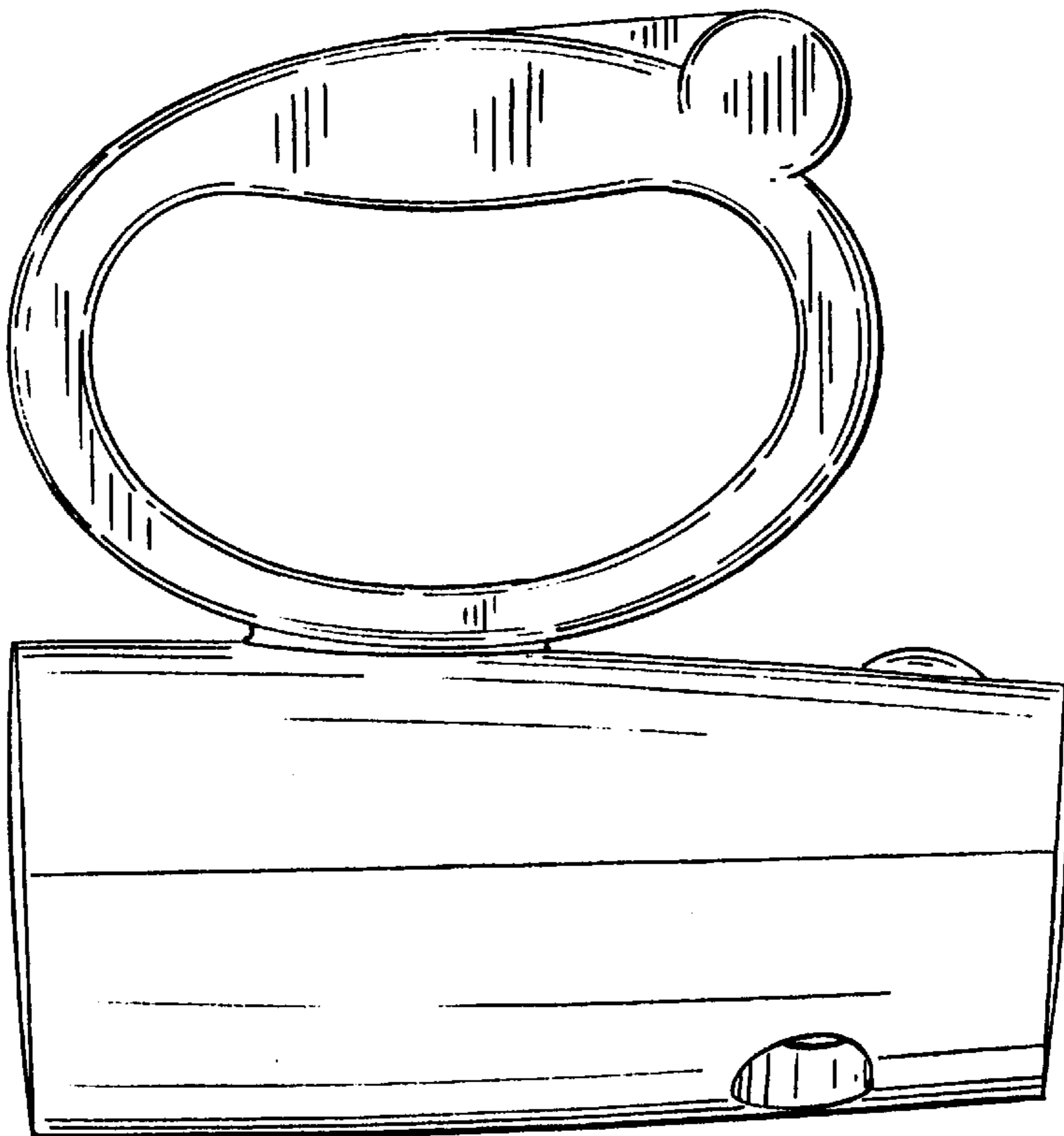


FIG 5

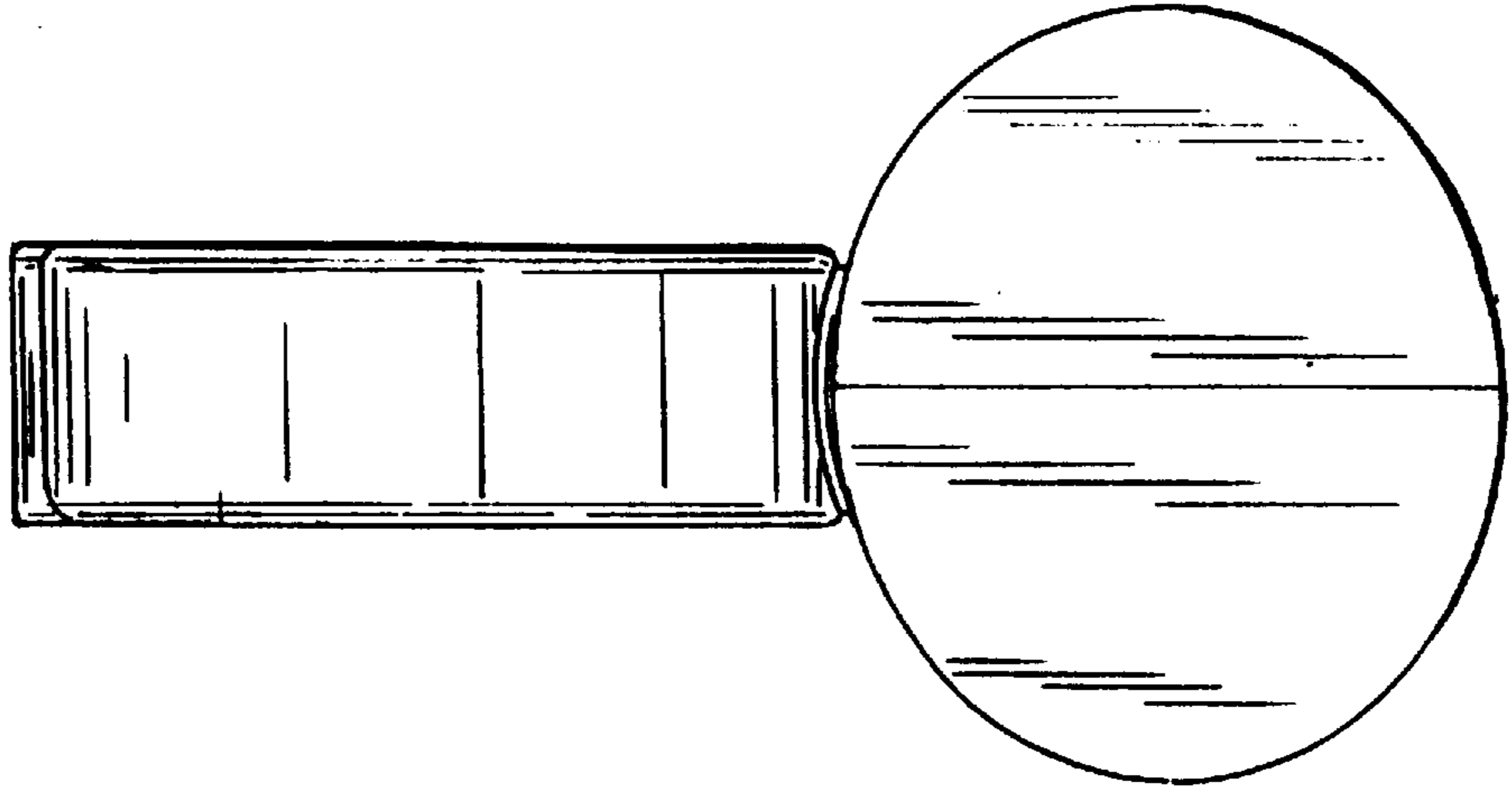


FIG 4

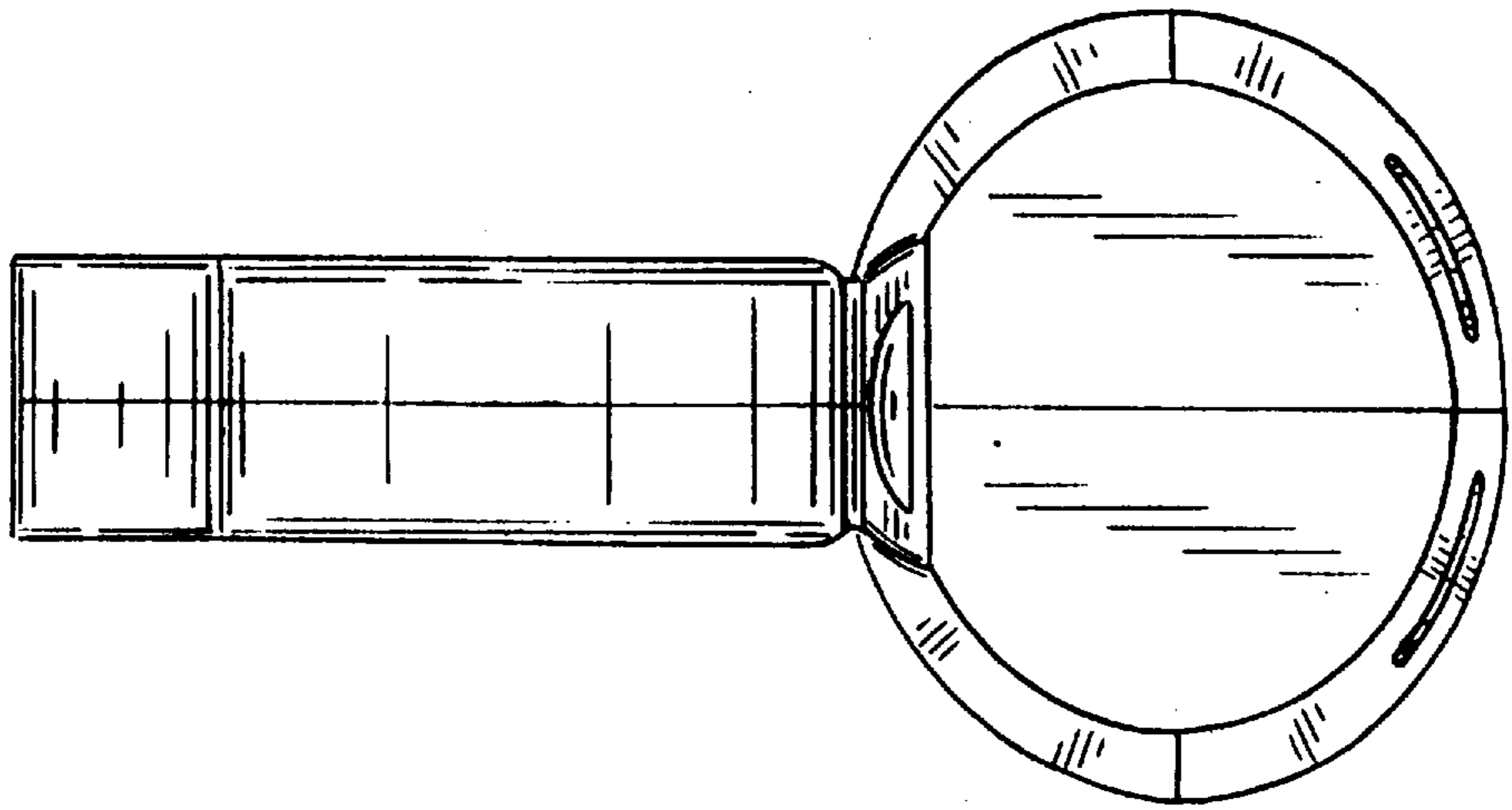


FIG 6

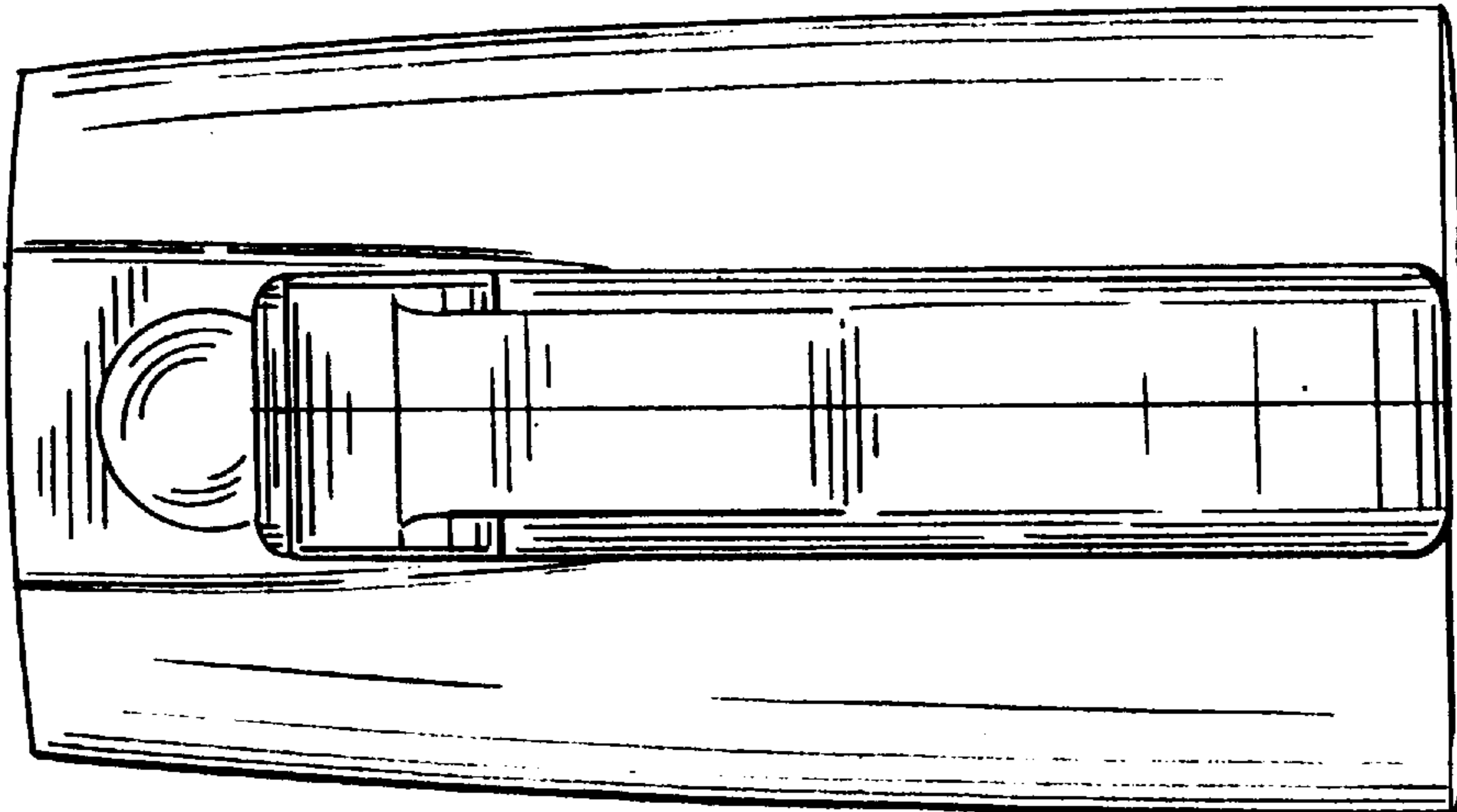


FIG 7

