



US00D398797S

United States Patent [19]

Brandenburg et al.

[11] Patent Number: **Des. 398,797**

[45] Date of Patent: ****Sep. 29, 1998**

[54] **DISPENSER COVER WITH WINDOW**

[75] Inventors: **Allen Eugene Brandenburg**, Austin, Tex.; **Ernest Paul Sedlock**, Marietta, Ga.

[73] Assignee: **Kimberly-Clark Worldwide, Inc.**, Neenah, Wis.

[**] Term: **14 Years**

[21] Appl. No.: **67,412**

[22] Filed: **Mar. 3, 1997**

[51] **LOC (6) Cl.** **07-07**

[52] **U.S. Cl.** **D6/522**

[58] **Field of Search** D6/518, 522; 242/570; 312/34.1, 34.8; 221/33, 45, 48, 55, 282-286

[56] **References Cited**

U.S. PATENT DOCUMENTS

D. 266,039	9/1982	DeLuca	D6/522
D. 316,788	5/1991	Fischer et al.	D6/522
D. 341,970	12/1993	Brandenburg	D6/522
D. 345,664	4/1994	Brandenburg	D6/545

D. 346,519	5/1994	Krueger et al.	D6/522
D. 348,579	7/1994	Brandenburg	D6/518
D. 349,827	8/1994	Brandenburg	D6/545
D. 354,871	1/1995	Frazier et al.	D6/522
D. 359,868	7/1995	Brandenburg et al.	D6/545
D. 363,628	10/1995	McCanless	D6/522
D. 365,713	1/1996	Chen	D6/522

Primary Examiner—Brian N. Vinson
Attorney, Agent, or Firm—K. V. Sidor

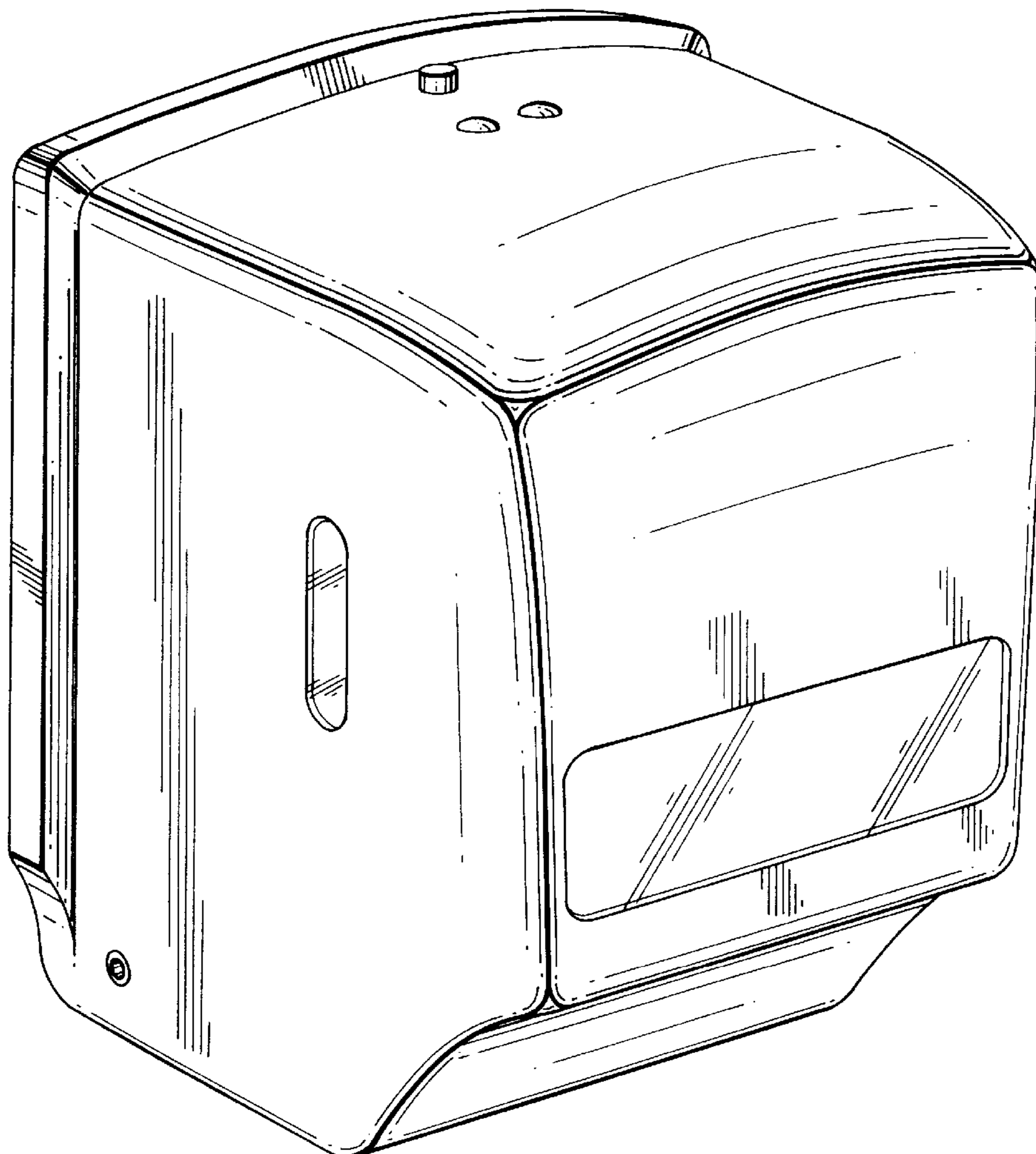
[57] **CLAIM**

The ornamental design for a dispenser cover with window, as shown and described.

DESCRIPTION

FIG. 1 is a front elevation of the dispenser cover showing my new design;
FIG. 2 is a left side elevation thereof;
FIG. 3 is a right side elevation thereof;
FIG. 4 is a top plan view thereof;
FIG. 5 is a rear elevation thereof;
FIG. 6 is a bottom plan view thereof; and,
FIG. 7 is a right front perspective view thereof.

1 Claim, 7 Drawing Sheets



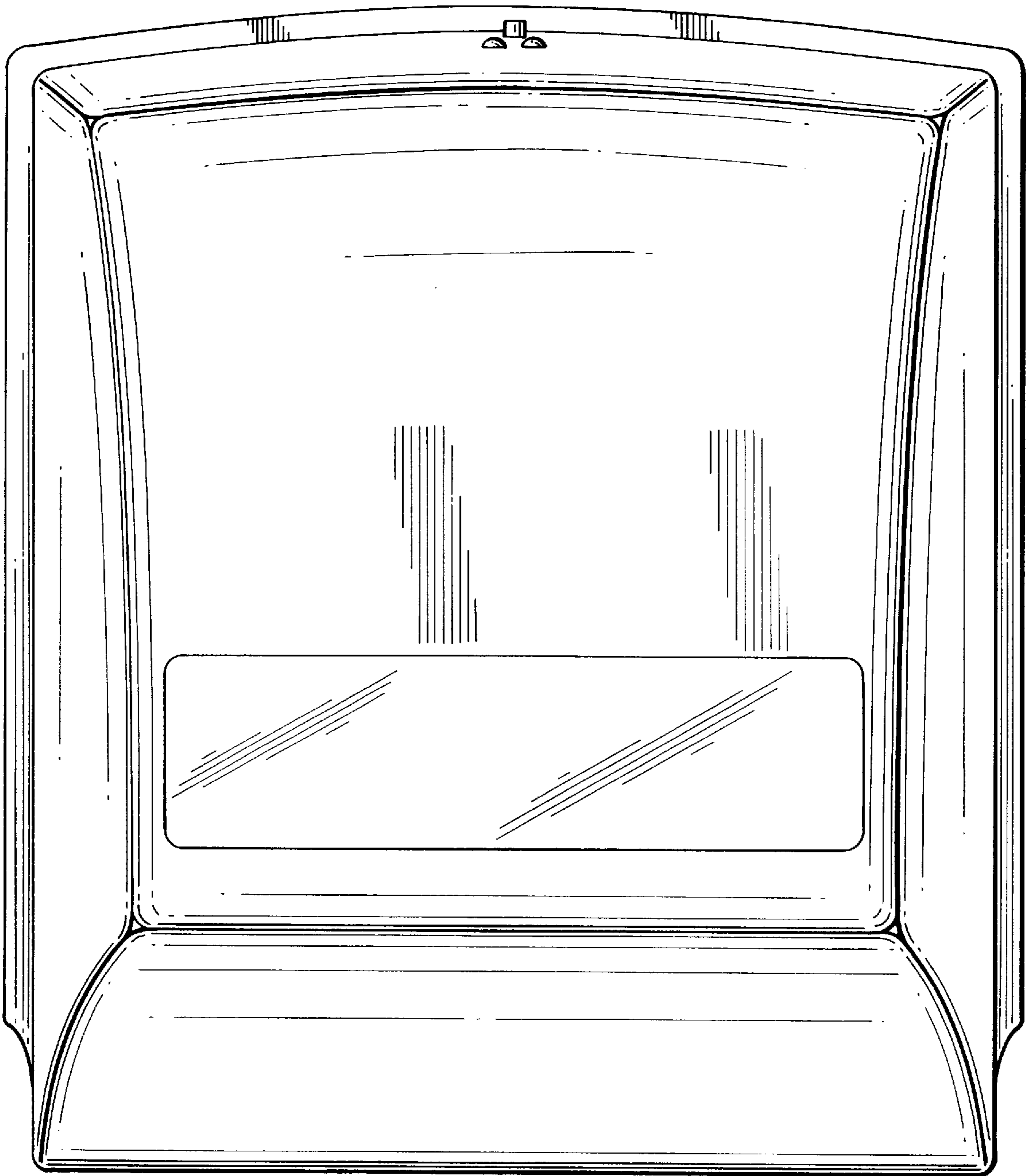


FIG. 1

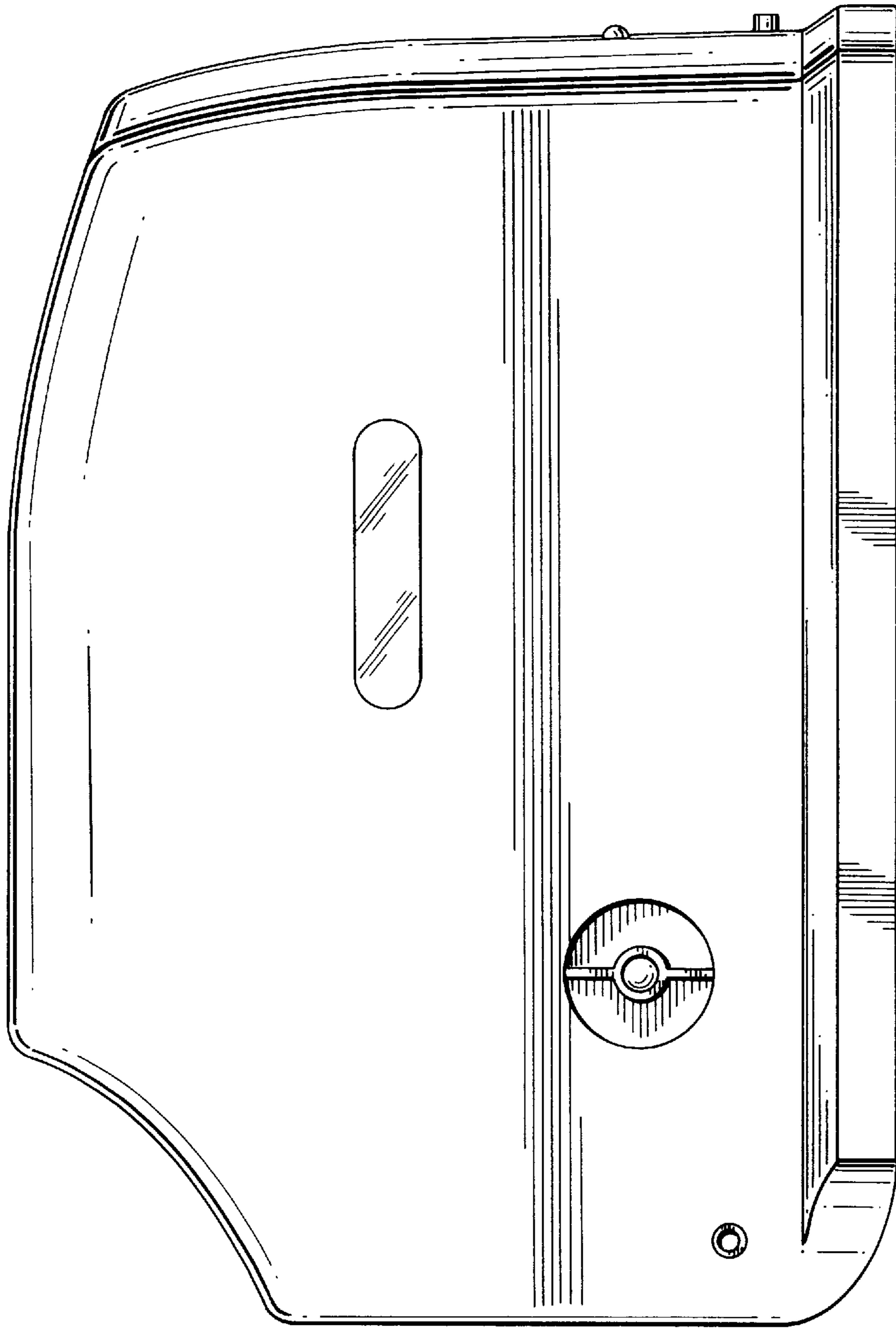


FIG. 2

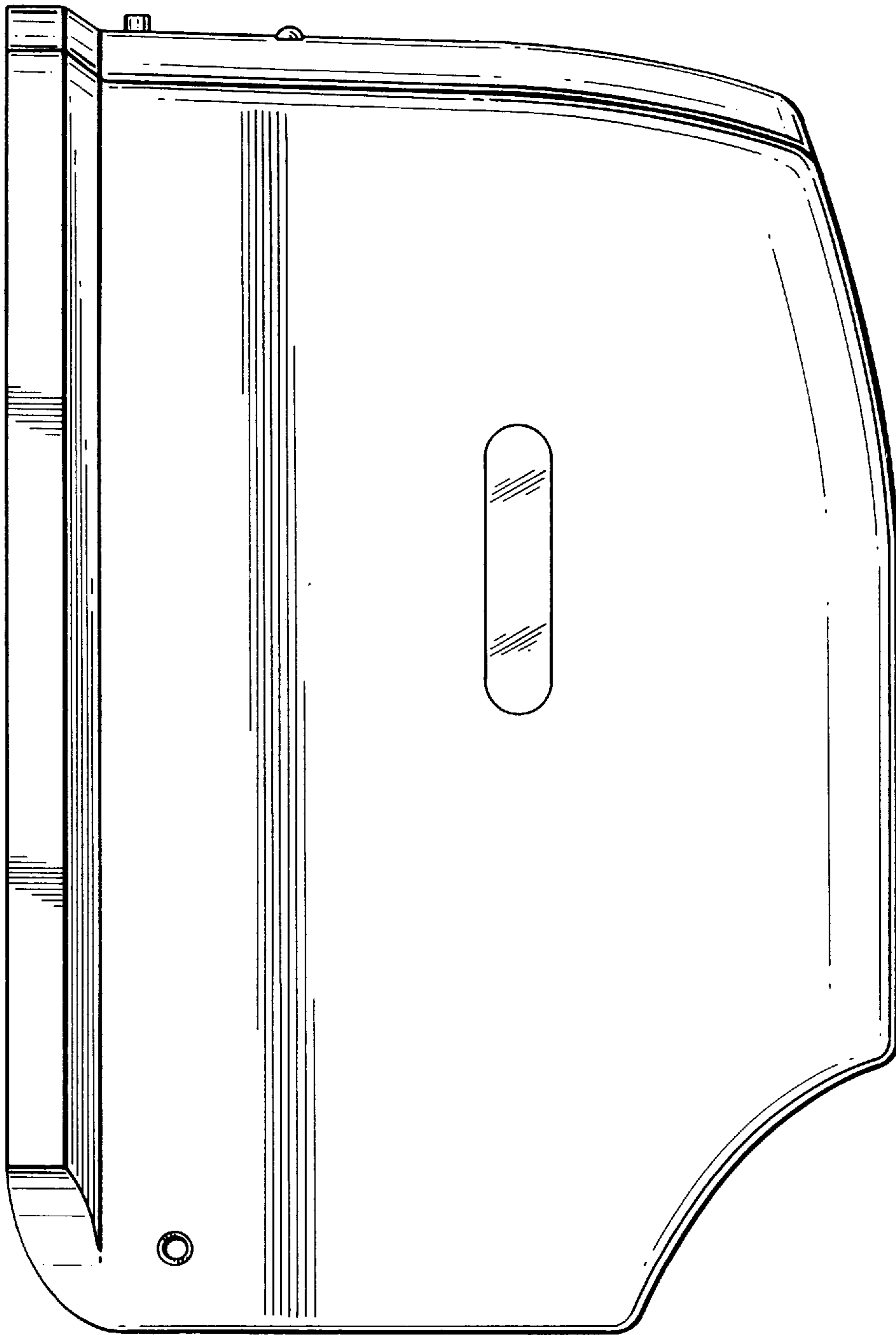


FIG. 3

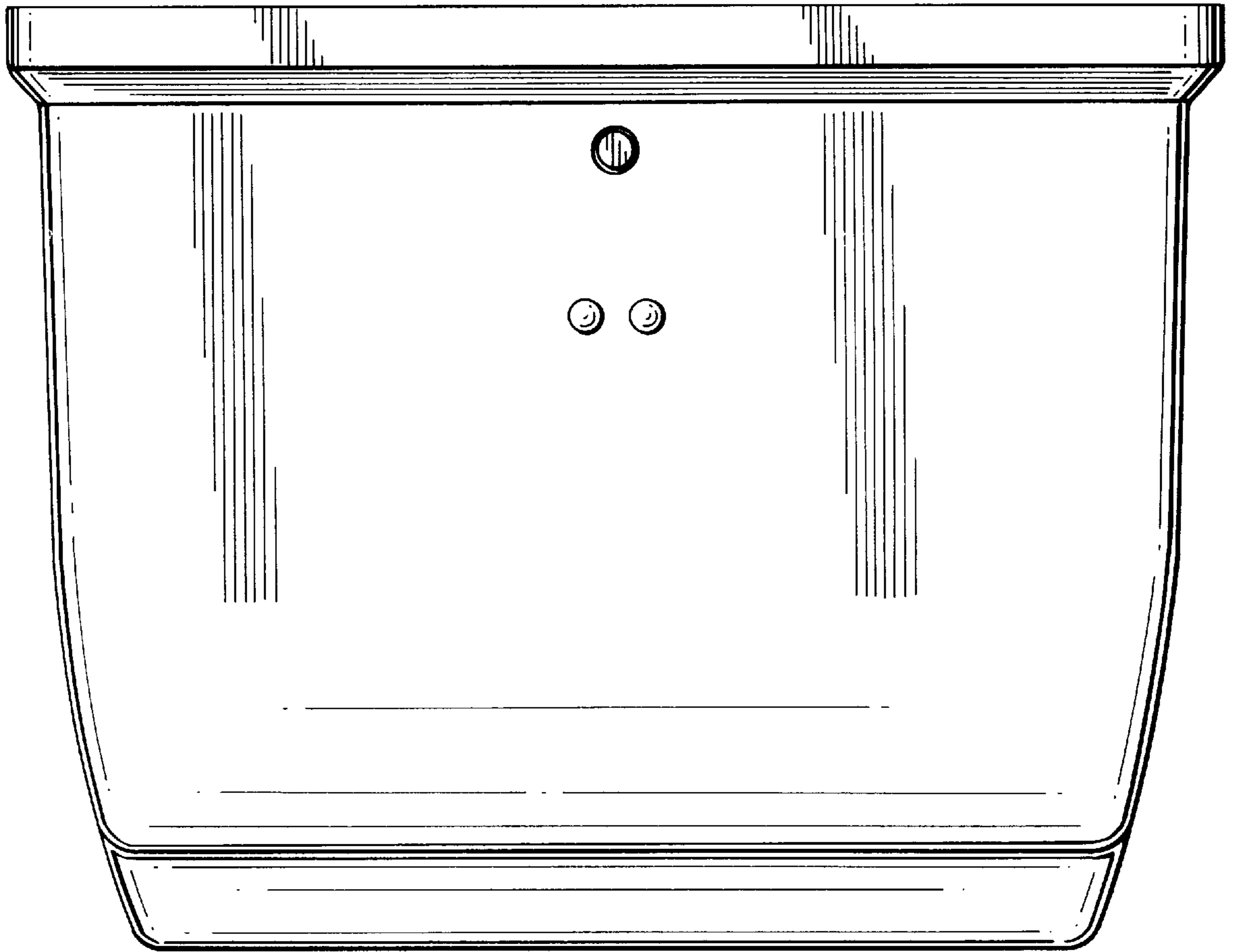


FIG. 4

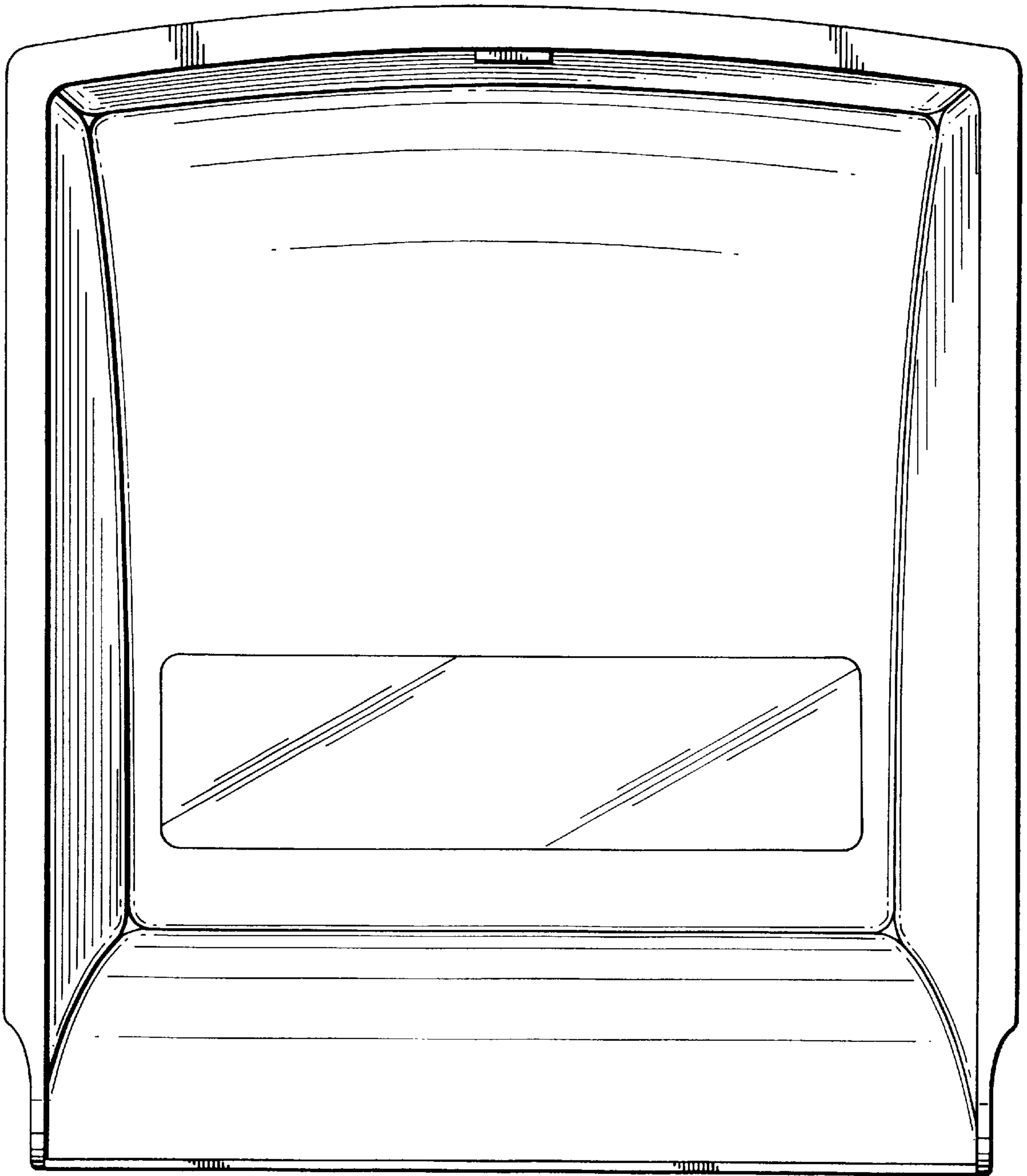


FIG. 5

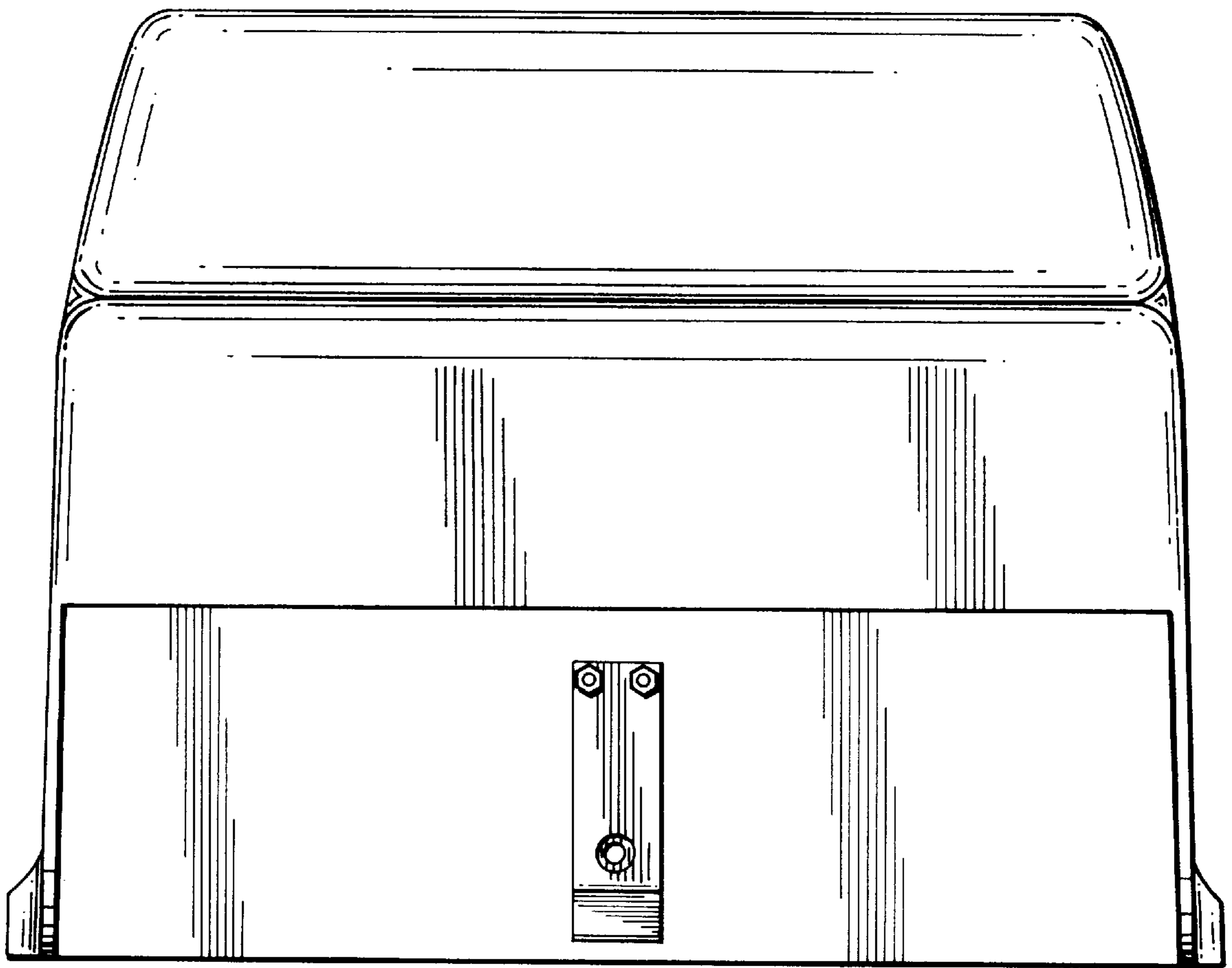


FIG. 6

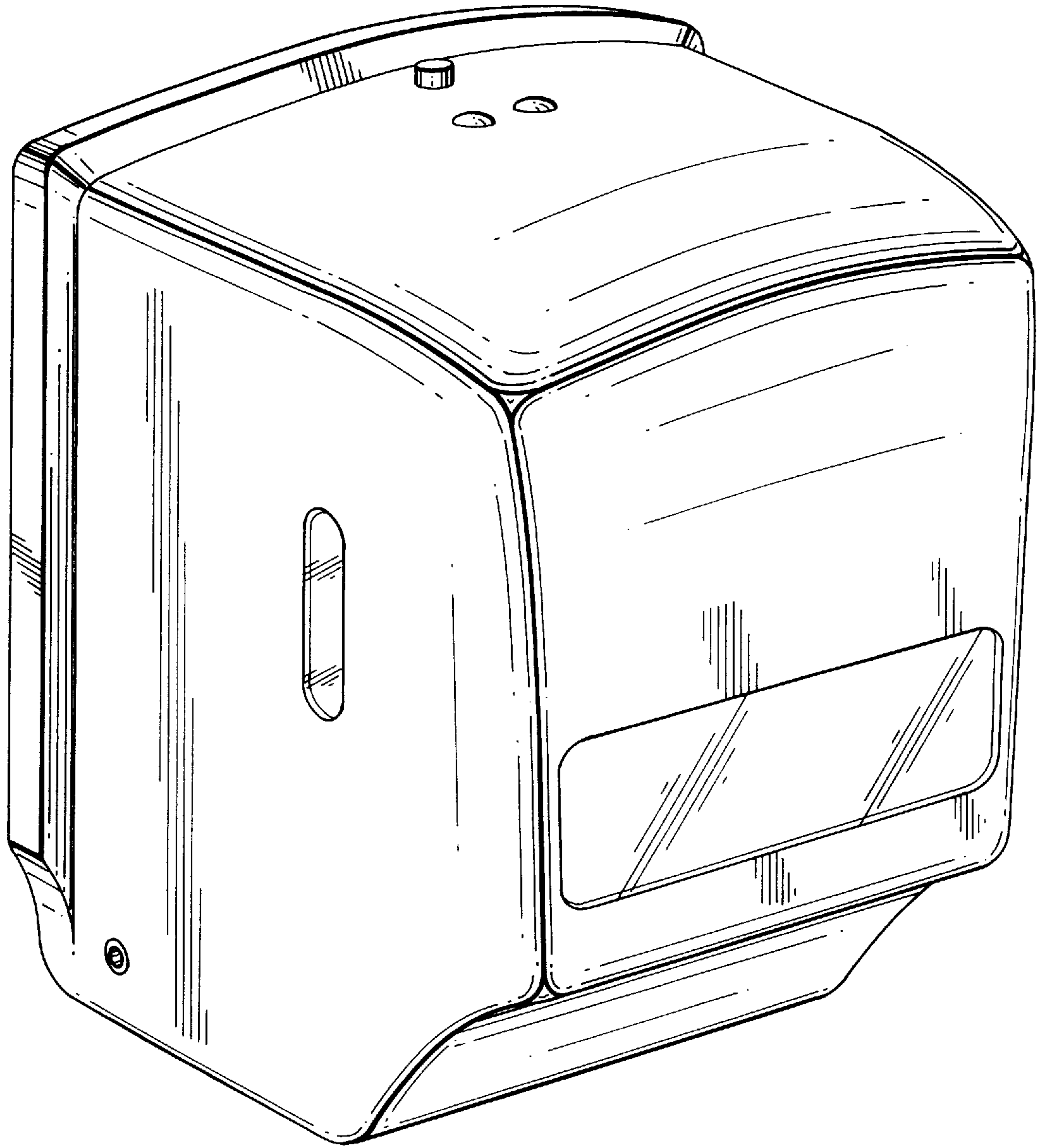


FIG. 7