



US00D398796S

United States Patent [19]

Fauchald et al.

[11] **Patent Number: Des. 398,796**

[45] **Date of Patent: **Sep. 29, 1998**

[54] **MOUNTABLE HOLDING DEVICE FOR SECURING AUTOMOTIVE ACCESSORIES**

[75] Inventors: **Willy Fauchald, Ridabu; Knut Larsen,**
Oslo, both of Norway

[73] Assignee: **Uniclip AS,** Oslo, Norway

[**] Term: **14 Years**

[21] Appl. No.: **71,029**

[22] Filed: **May 21, 1997**

[30] **Foreign Application Priority Data**

Nov. 22, 1996 [NO] Norway 960862

[51] **LOC (6) Cl.** **19-02**

[52] **U.S. Cl.** **D6/512; D12/415**

[58] **Field of Search** D6/512, 513, 552,
D6/567, 572; D12/400, 406, 415; 224/483,
277; 206/483, 277; 108/45

[56] **References Cited**

U.S. PATENT DOCUMENTS

D. 193,389 8/1962 Kardach D12/415 X

D. 231,195	4/1974	Reynolds	D12/415
D. 248,636	7/1978	Stanley	D12/415
D. 369,856	5/1996	Vogels	D6/567 X
5,064,162	11/1991	Jondelius	248/548
5,660,311	8/1997	Soltau	D12/415 X

Primary Examiner—Pamela Burgess
Attorney, Agent, or Firm—Young & Thompson

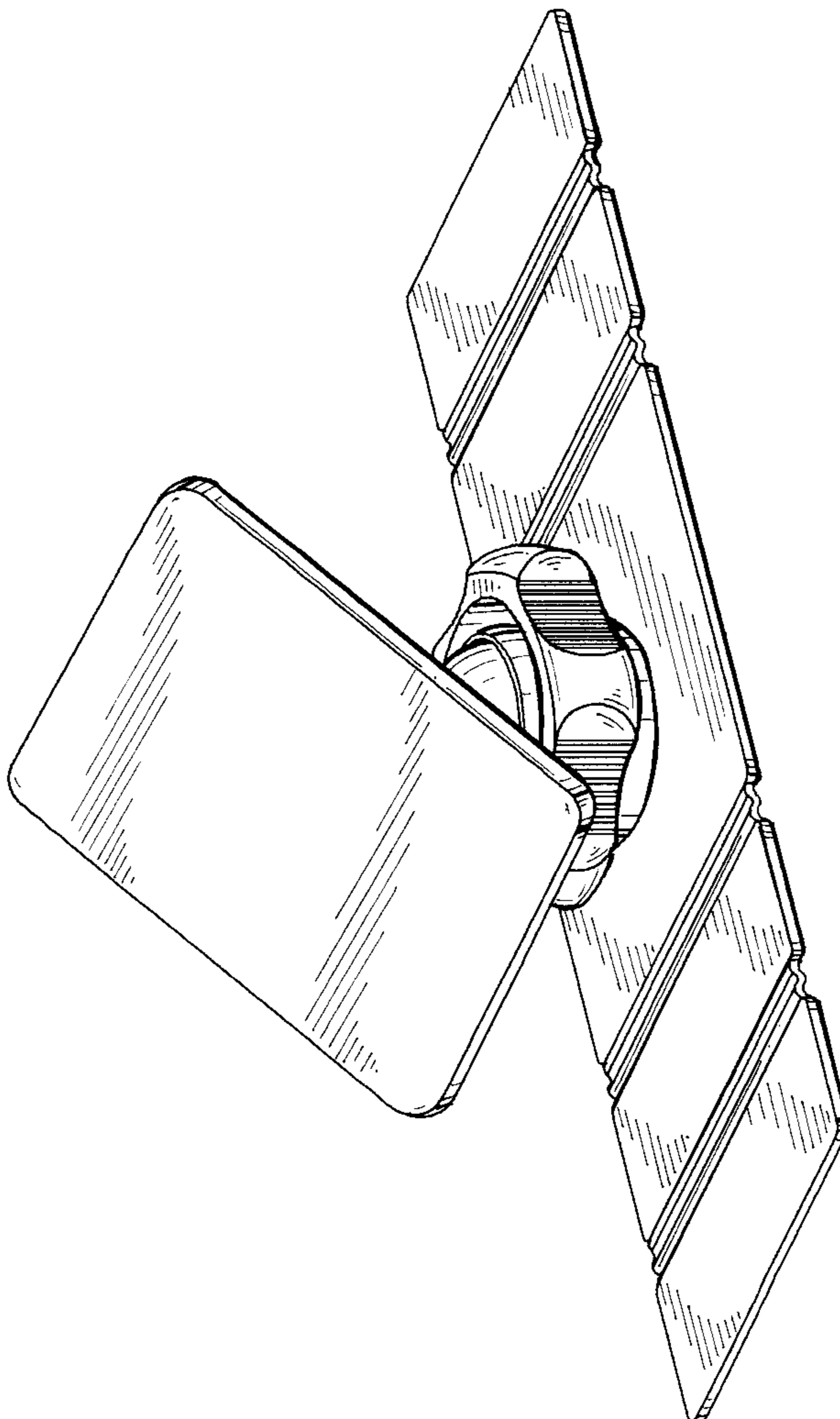
[57] **CLAIM**

The ornamental design for a mountable holding device for securing automotive accessories, as shown and described.

DESCRIPTION

FIG. 1 is a top rear perspective view of a mountable holding device for securing automotive accessories showing my new design;
FIG. 2 is a top front perspective view thereof;
FIG. 3 is a bottom front perspective view thereof;
FIG. 4 is a bottom rear perspective view thereof; and,
FIG. 5 is a top front perspective view in an exploded position for clarity of disclosure only.

1 Claim, 5 Drawing Sheets



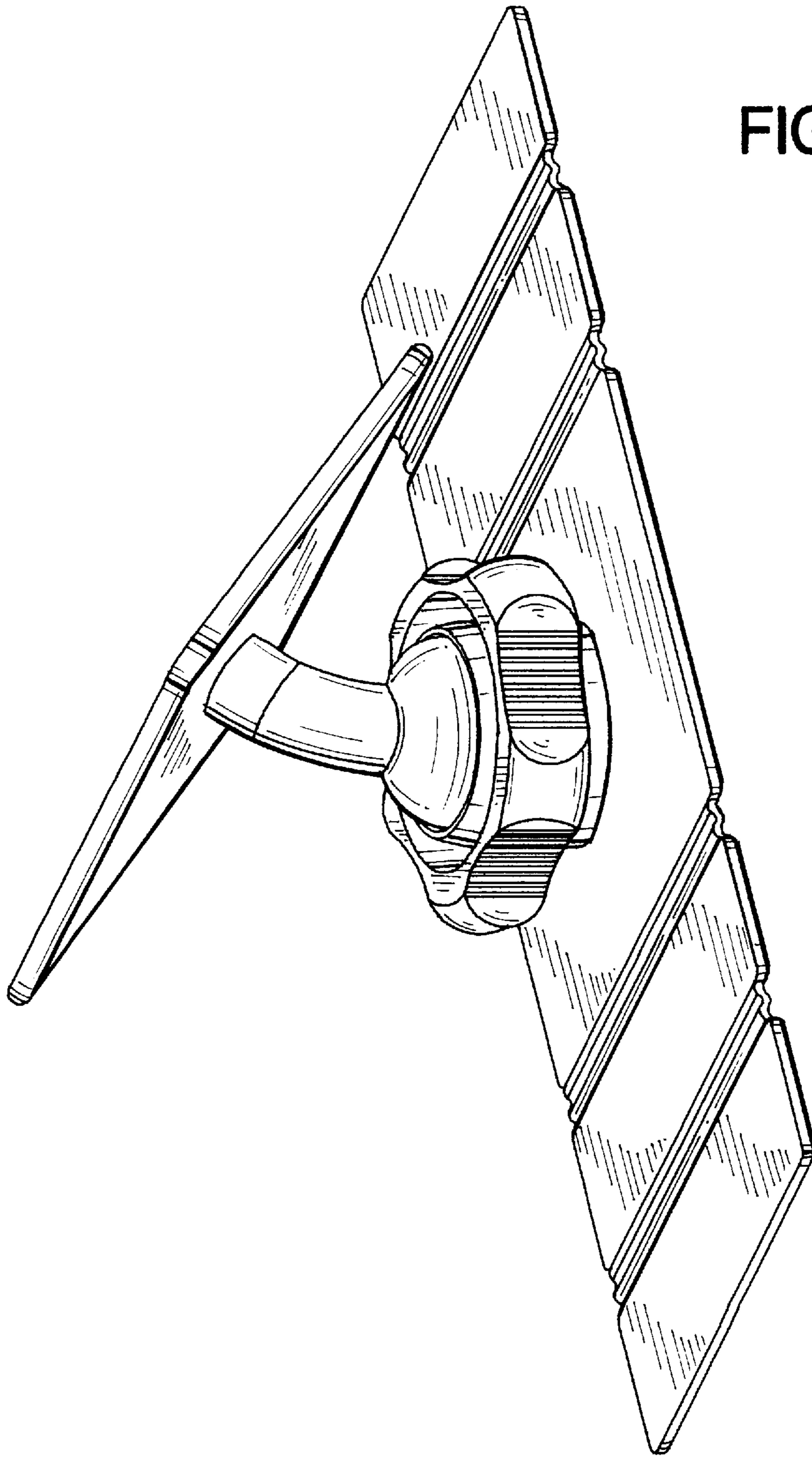


FIG. 1

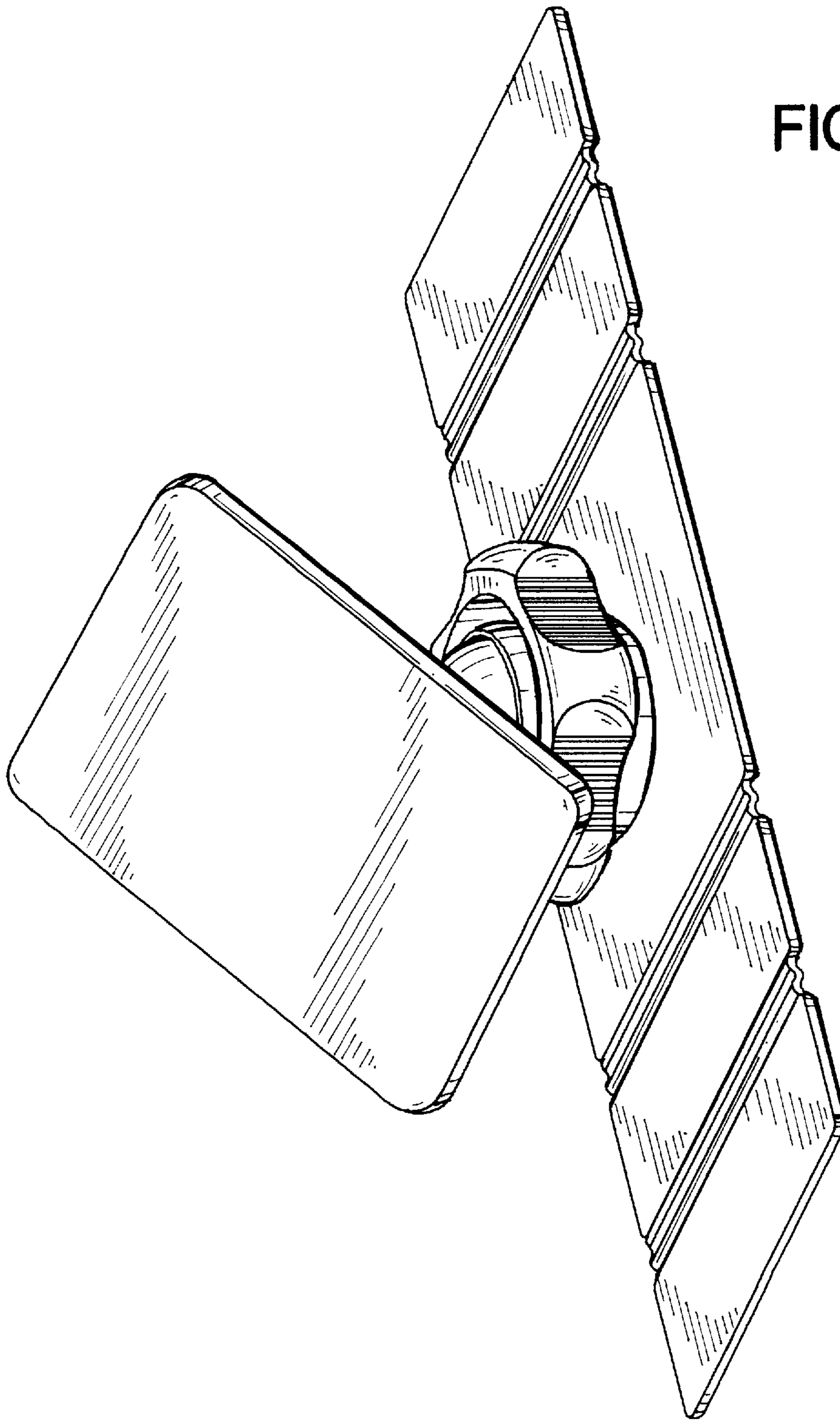


FIG. 2

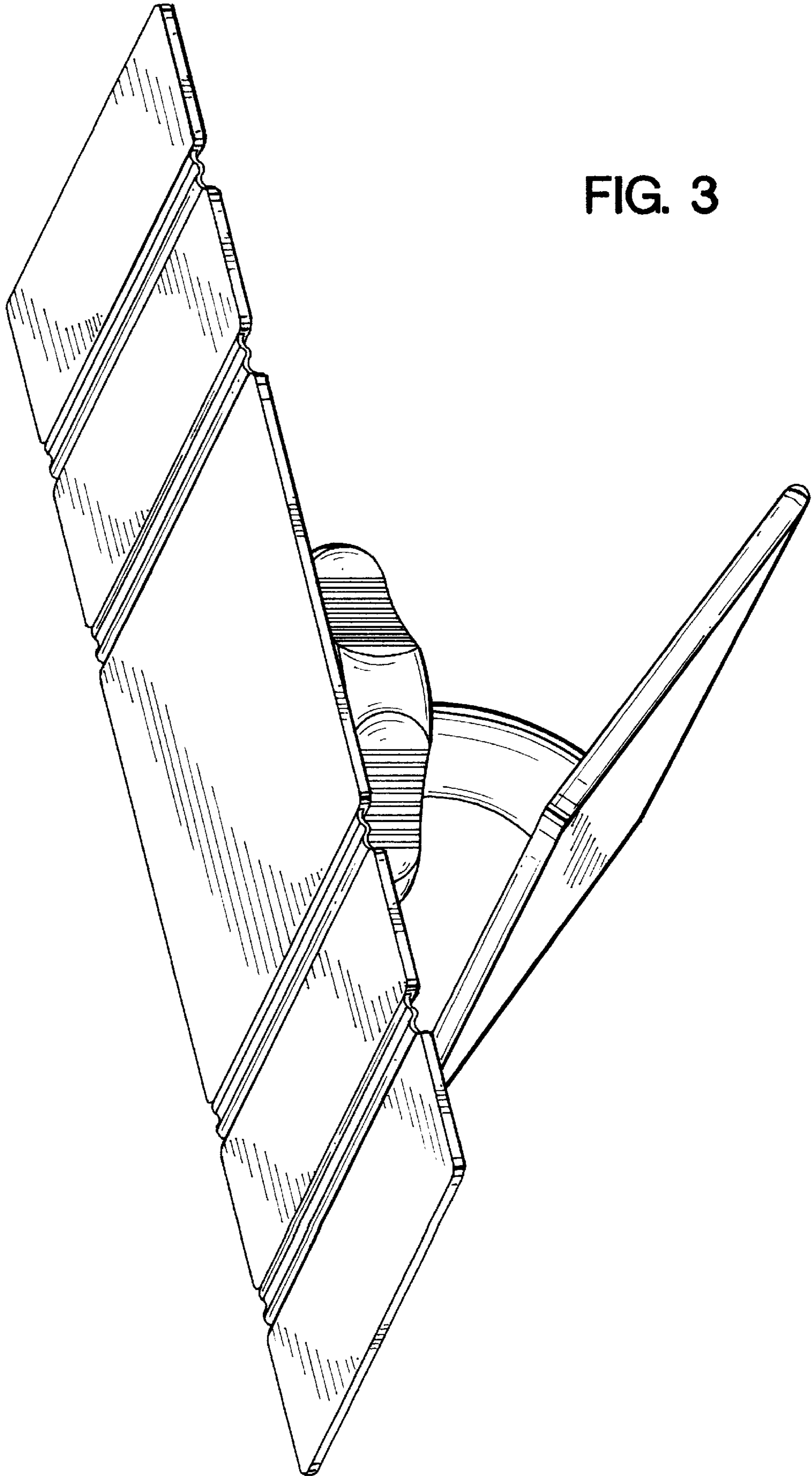


FIG. 3

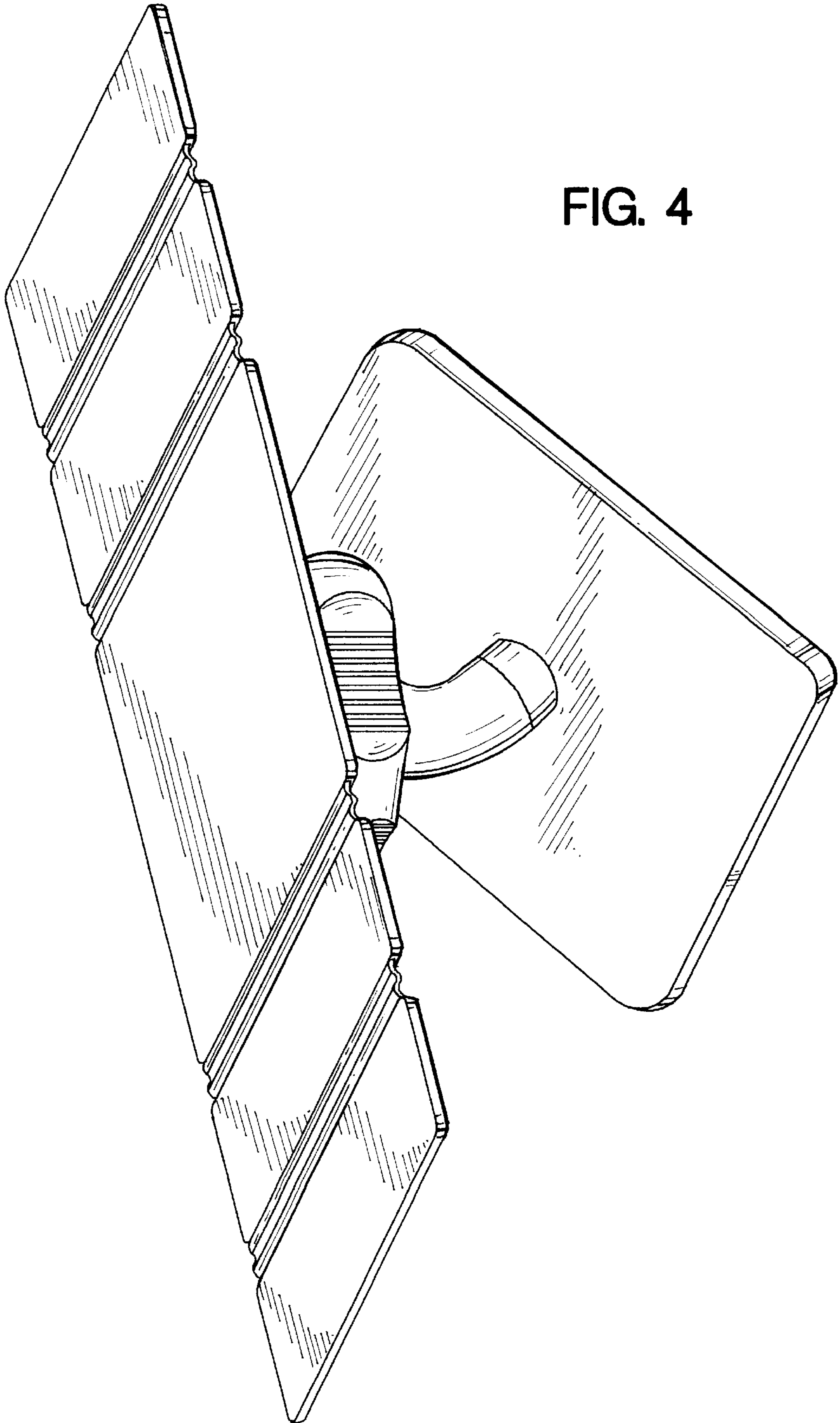


FIG. 4

FIG. 5

