



US00D398792S

**United States Patent** [19]  
**VanStolk**

[11] **Patent Number: Des. 398,792**

[45] **Date of Patent: \*\*Sep. 29, 1998**

[54] **DISPLAY CASE**

[75] **Inventor: Peter VanStolk, Vancouver, Canada**

[73] **Assignee: Urban Juice & Soda Company, Vancouver, Canada**

[\*\*] **Term: 14 Years**

[21] **Appl. No.: 81,925**

[22] **Filed: Nov. 12, 1997**

[51] **LOC (6) Cl. .... 06-04**

[52] **U.S. Cl. .... D6/470**

[58] **Field of Search** ..... D6/397, 399, 470-472, D6/469; D26/51; 362/125; 312/223.5, 204, 114, 116, 126-131, 257.1; D11/144, 145, 155, 156; D15/79, 81, 82; 206/443, 461, 467, 476, 769; D7/350, 601, 602; 220/23.83, 500, 502; 99/341, 426, 427; 62/371, 457.1, 457.9; 40/541, 549, 554, 558

[56] **References Cited**

**U.S. PATENT DOCUMENTS**

- D. 154,677 8/1949 Hawkins ..... 206/443 X
- D. 161,804 1/1951 Walsh ..... D6/468

- D. 193,593 9/1962 Duke ..... D15/81 X
- D. 194,793 3/1963 Perl et al. .... D11/145
- D. 250,157 11/1978 Kelly ..... D6/468
- D. 282,424 2/1986 Brittner ..... D6/470
- D. 373,692 9/1996 Staeger ..... D6/470
- 2,335,731 8/1943 James ..... 312/114 X

*Primary Examiner*—James Gandy  
*Assistant Examiner*—Linda Brooks  
*Attorney, Agent, or Firm*—Wells, St. John, Roberts, Gregory & Matkin, P.S.

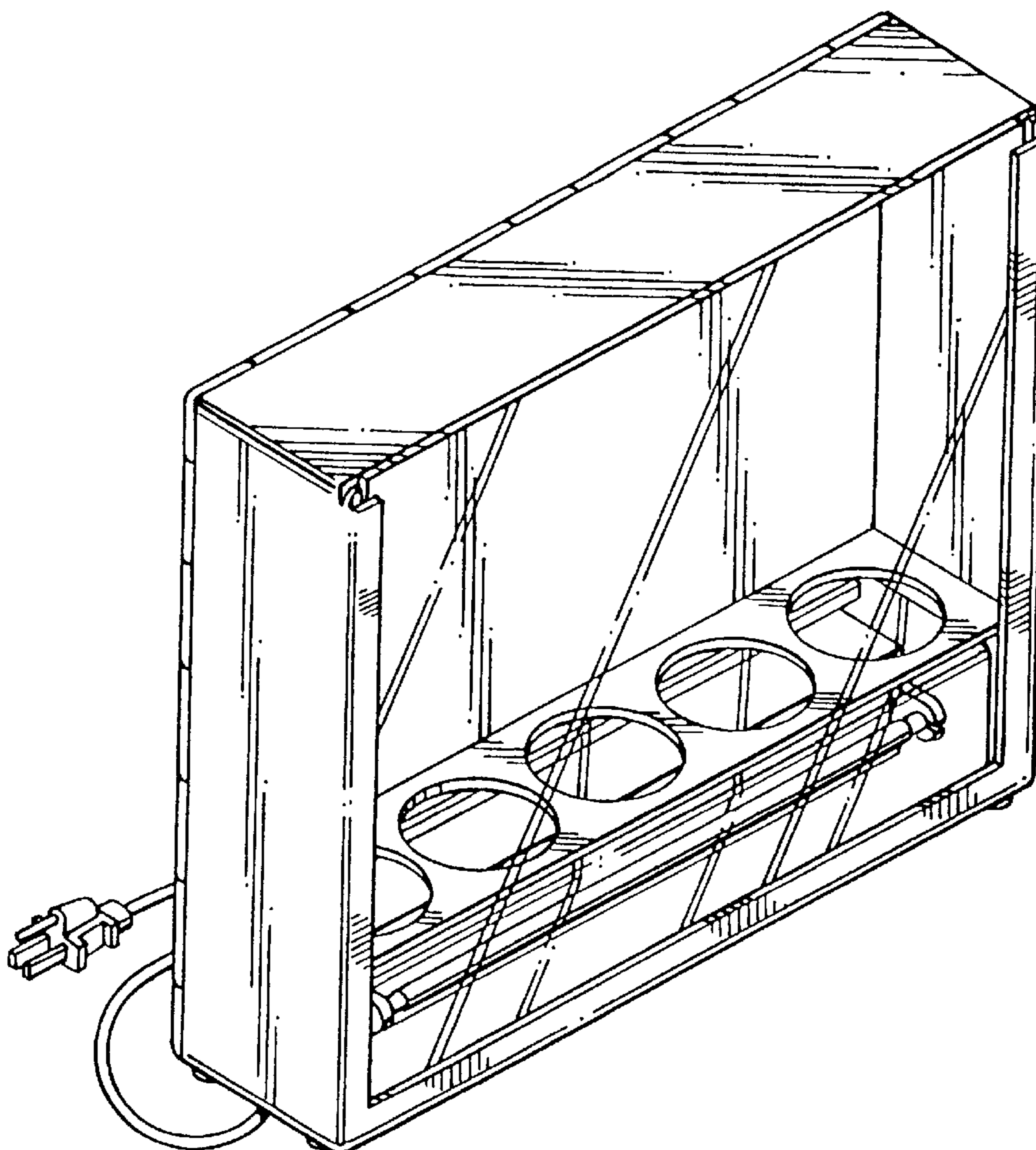
[57] **CLAIM**

The ornamental design for a display case, as shown and described.

**DESCRIPTION**

FIG. 1 is a perspective view of the display case according to the design;  
FIG. 2 is a top plan view of the display case;  
FIG. 3 is a front view of the display case;  
FIG. 4 is an end view of the display case, the opposite end being a mirror image; and,  
FIG. 5 is a bottom view of the display case.  
The rear of the display case is flat and unornamented.

**1 Claim, 2 Drawing Sheets**



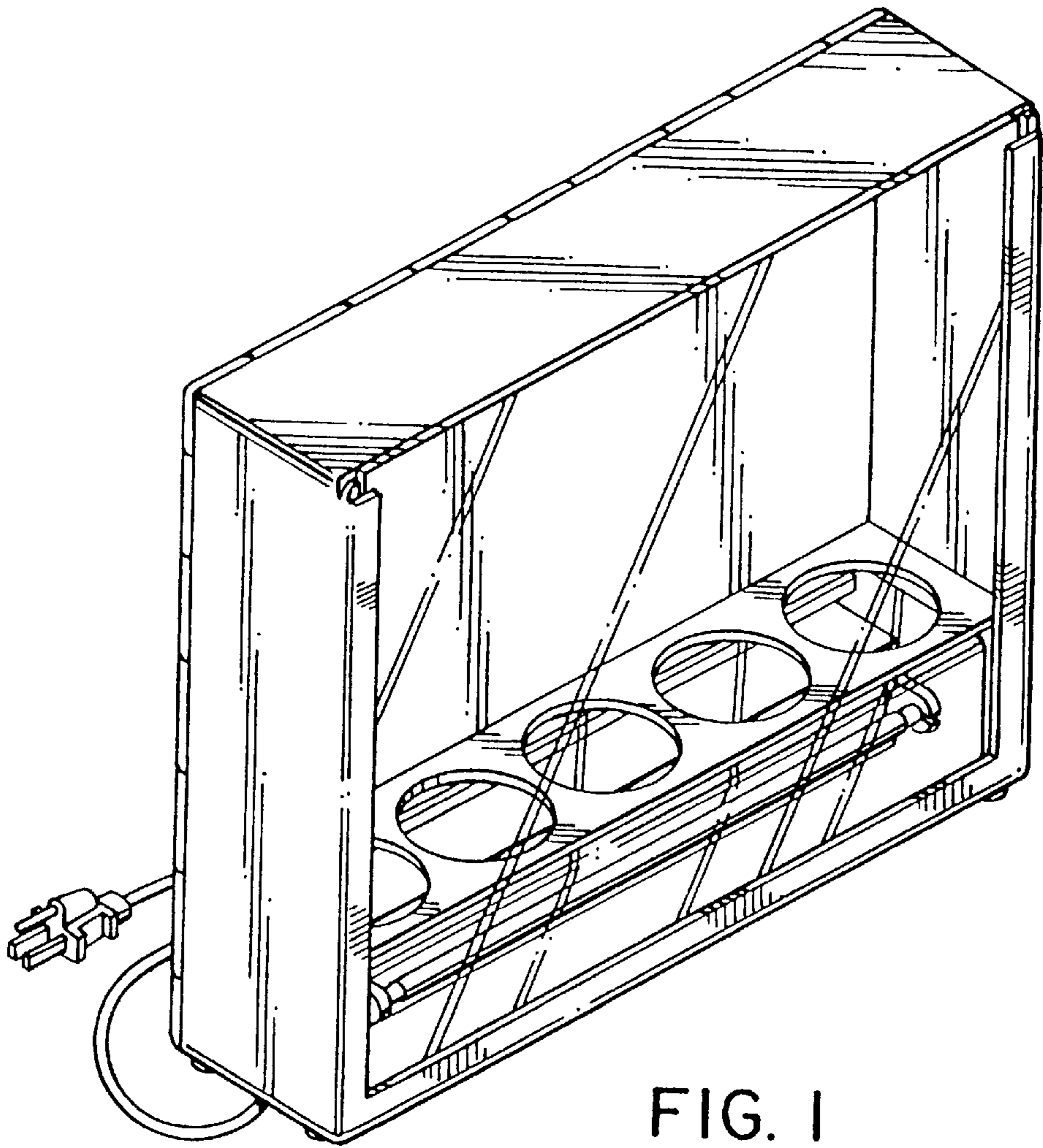


FIG. 1

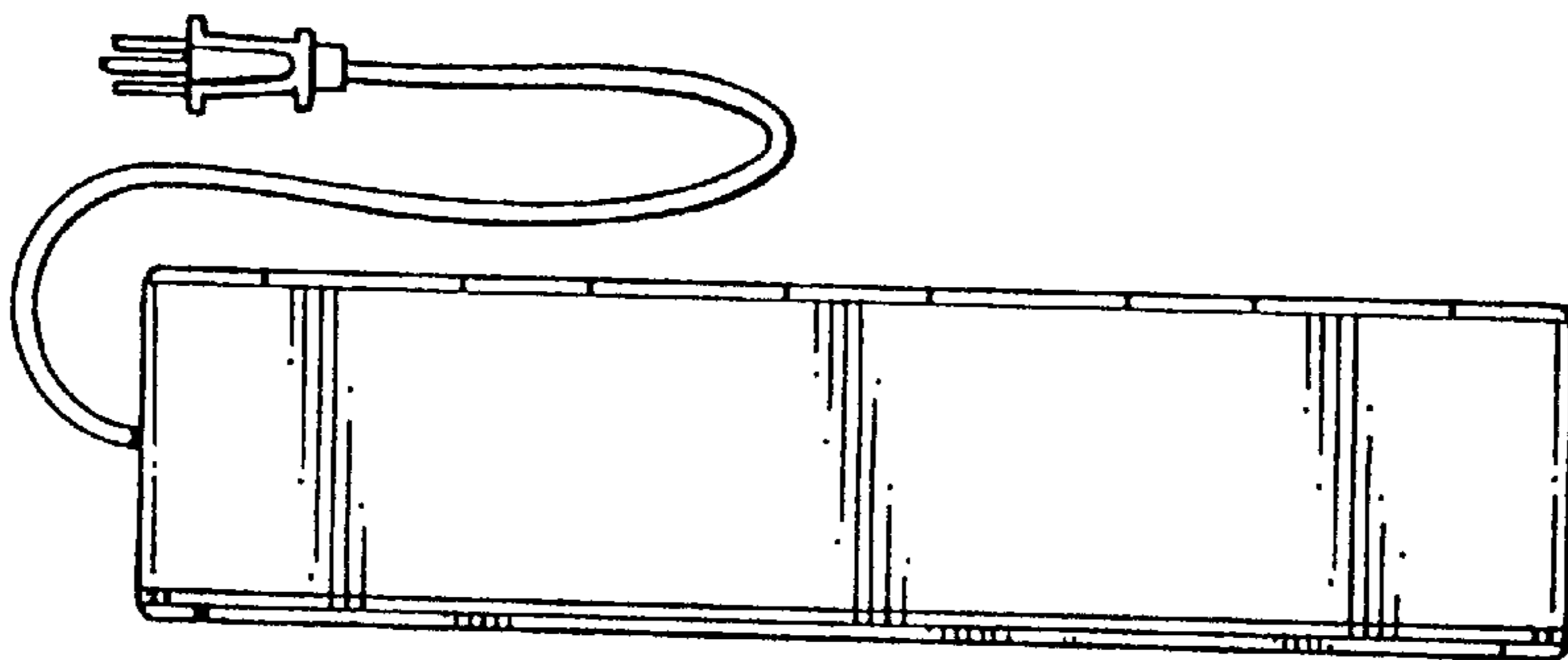


FIG. 2

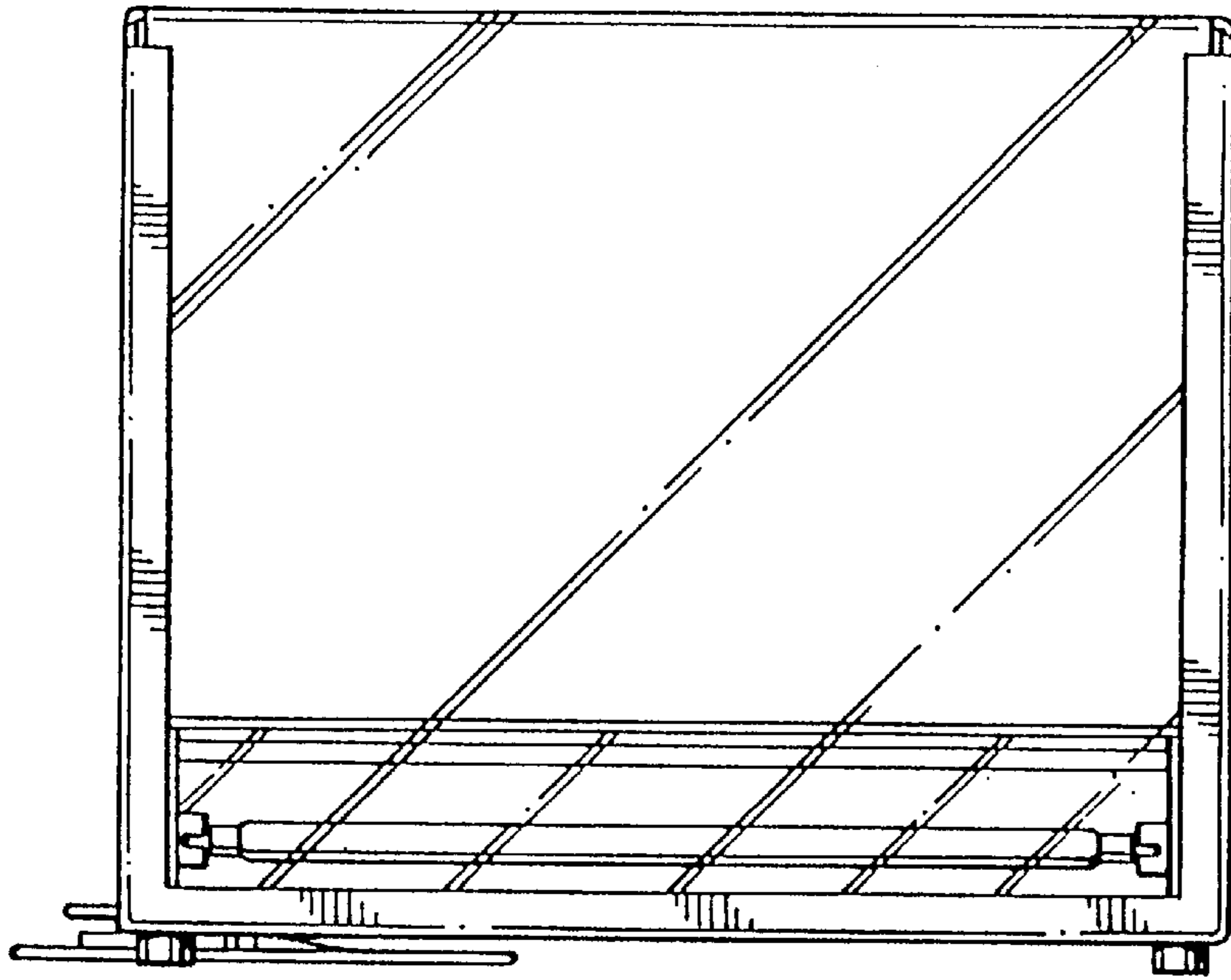


FIG. 3

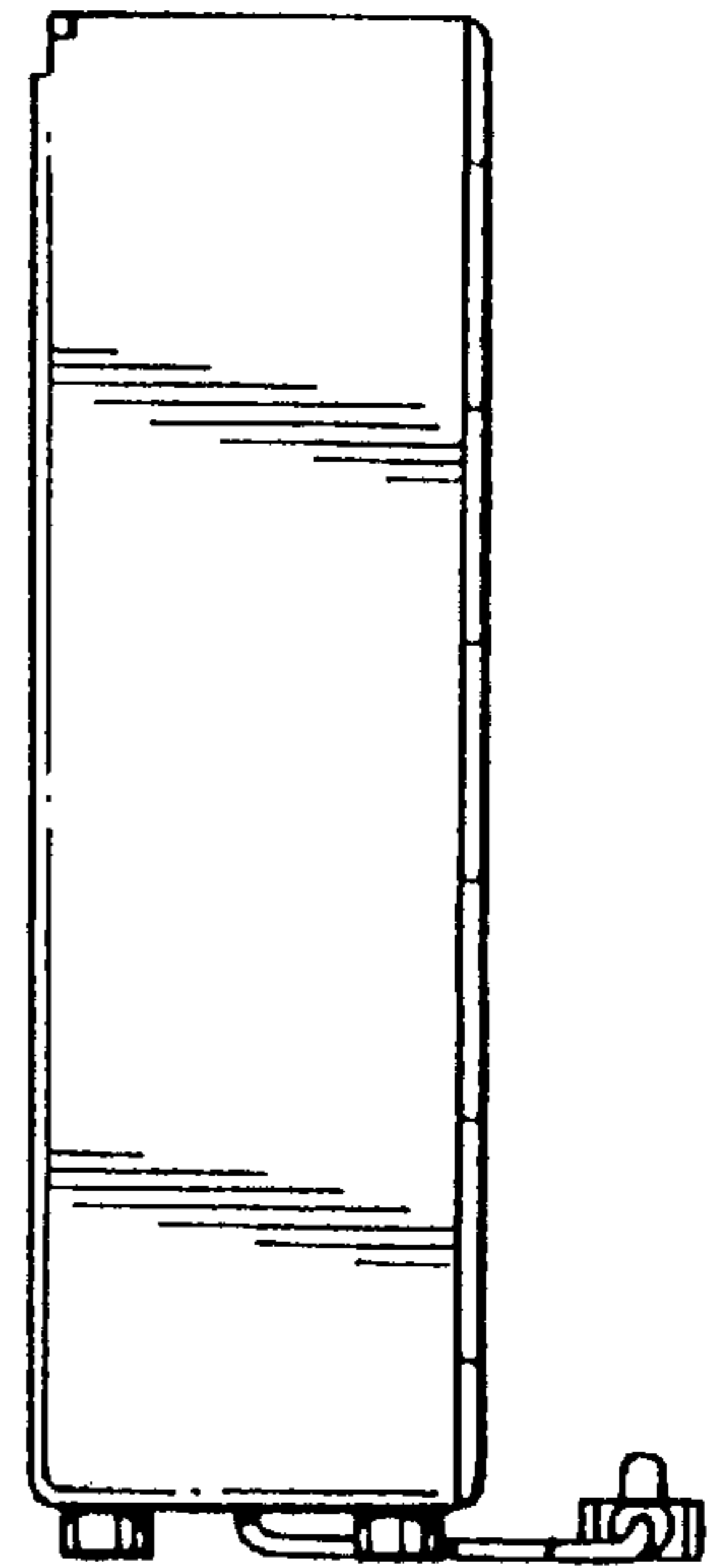


FIG. 4

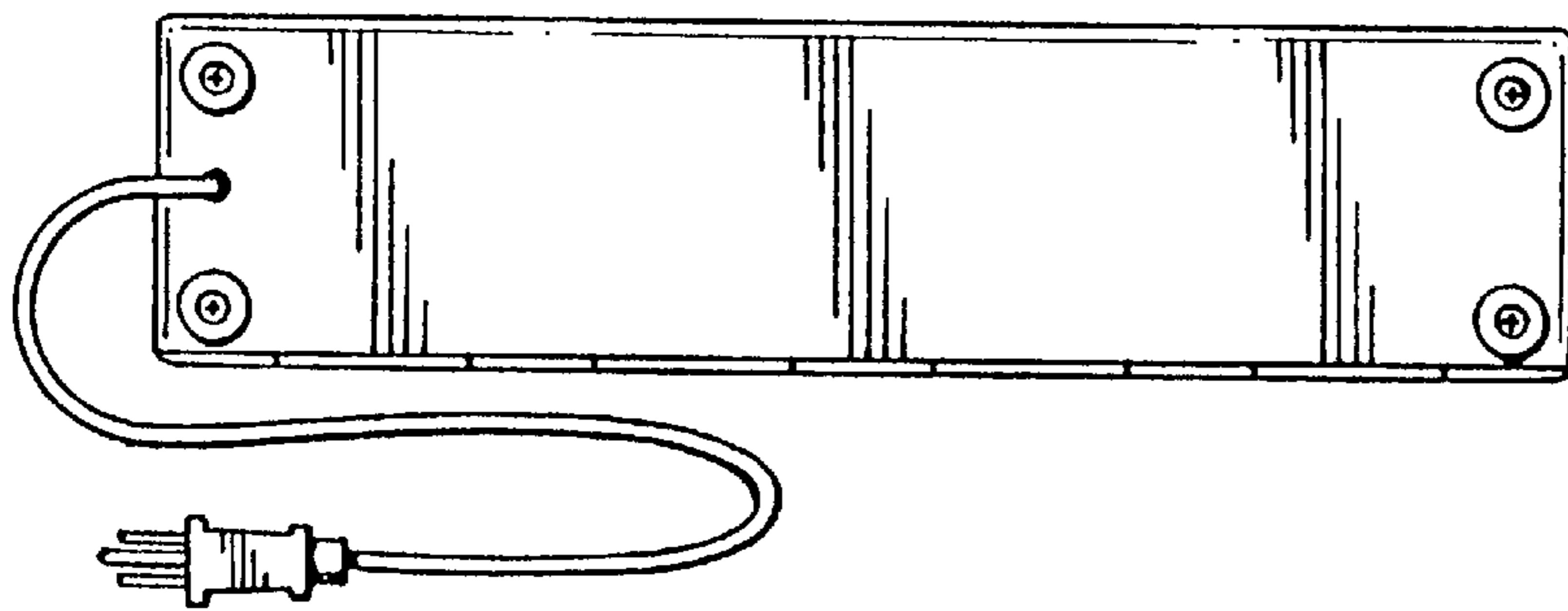


FIG. 5