



US00D398789S

United States Patent [19]
Warshawsky

[11] **Patent Number: Des. 398,789**

[45] **Date of Patent: **Sep. 29, 1998**

[54] **JEWELRY HOLDER**

[75] Inventor: **Jerome Warshawsky**, Hewlett Harbor, N.Y.

[73] Assignee: **IW Industries, Inc.**, Melville, N.Y.

[**] Term: **14 Years**

[21] Appl. No.: **75,129**

[22] Filed: **Aug. 11, 1997**

[51] **LOC (6) Cl.** **06-04**

[52] **U.S. Cl.** **D6/464**

[58] **Field of Search** D6/455, 458, 414, D6/415, 462-465, 411, 403, 405; 211/205, 85.2, 194, 196, 181.1, 182; D3/25; 206/6.1, 278; 248/127, 153, 175, 176.1

[56] **References Cited**

U.S. PATENT DOCUMENTS

D. 93,378 9/1934 Barone D3/25

D. 169,058 3/1953 Cohn D6/411
D. 229,878 1/1974 Saika D6/411
D. 334,855 4/1993 Harrington et al. D6/458
3,907,119 9/1975 Franz 211/196 X

Primary Examiner—James Gandy
Assistant Examiner—Linda Brooks
Attorney, Agent, or Firm—Alfred M. Walker

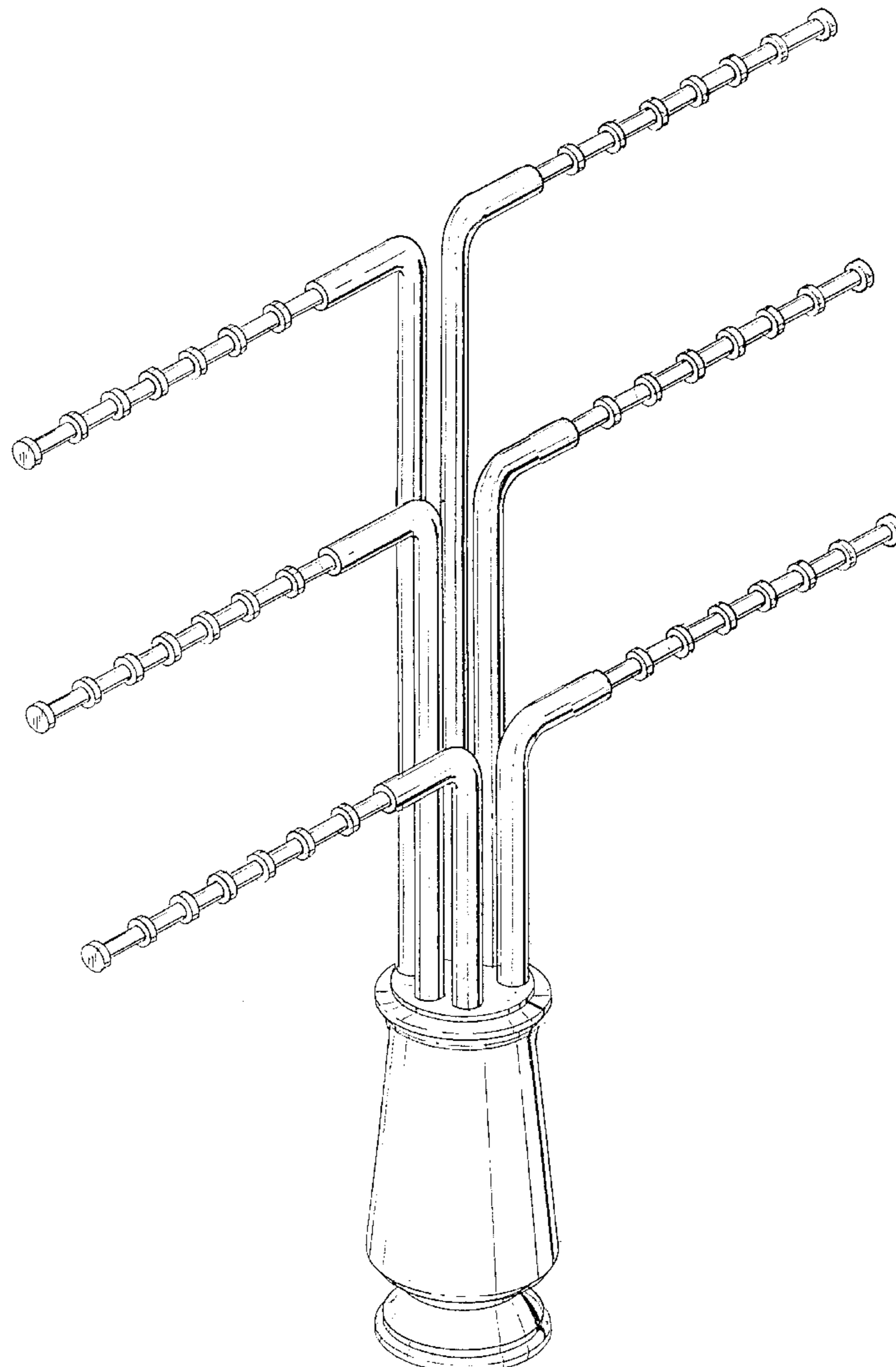
[57] **CLAIM**

The ornamental design for a jewelry holder, as shown and described.

DESCRIPTION

FIG. 1 is a perspective view of a jewelry holder, showing my new design;
FIG. 2 is a front elevational view thereto;
FIG. 3 is a rear view thereof;
FIG. 4 is a left side elevational view, the right side being a mirror image thereof;
FIG. 5 is a top plan view thereof; and,
FIG. 6 is a bottom view thereof.

1 Claim, 5 Drawing Sheets



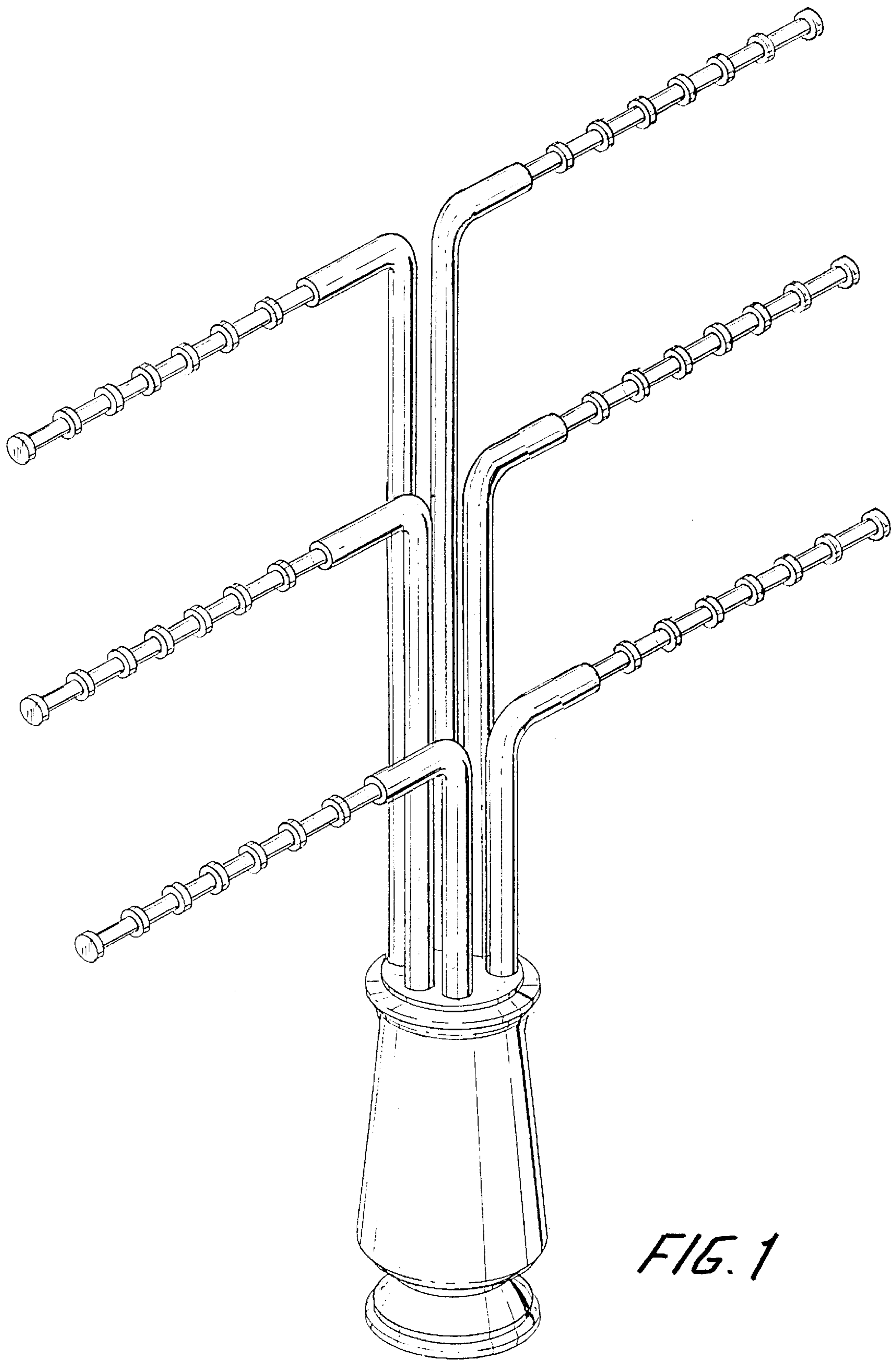


FIG. 1

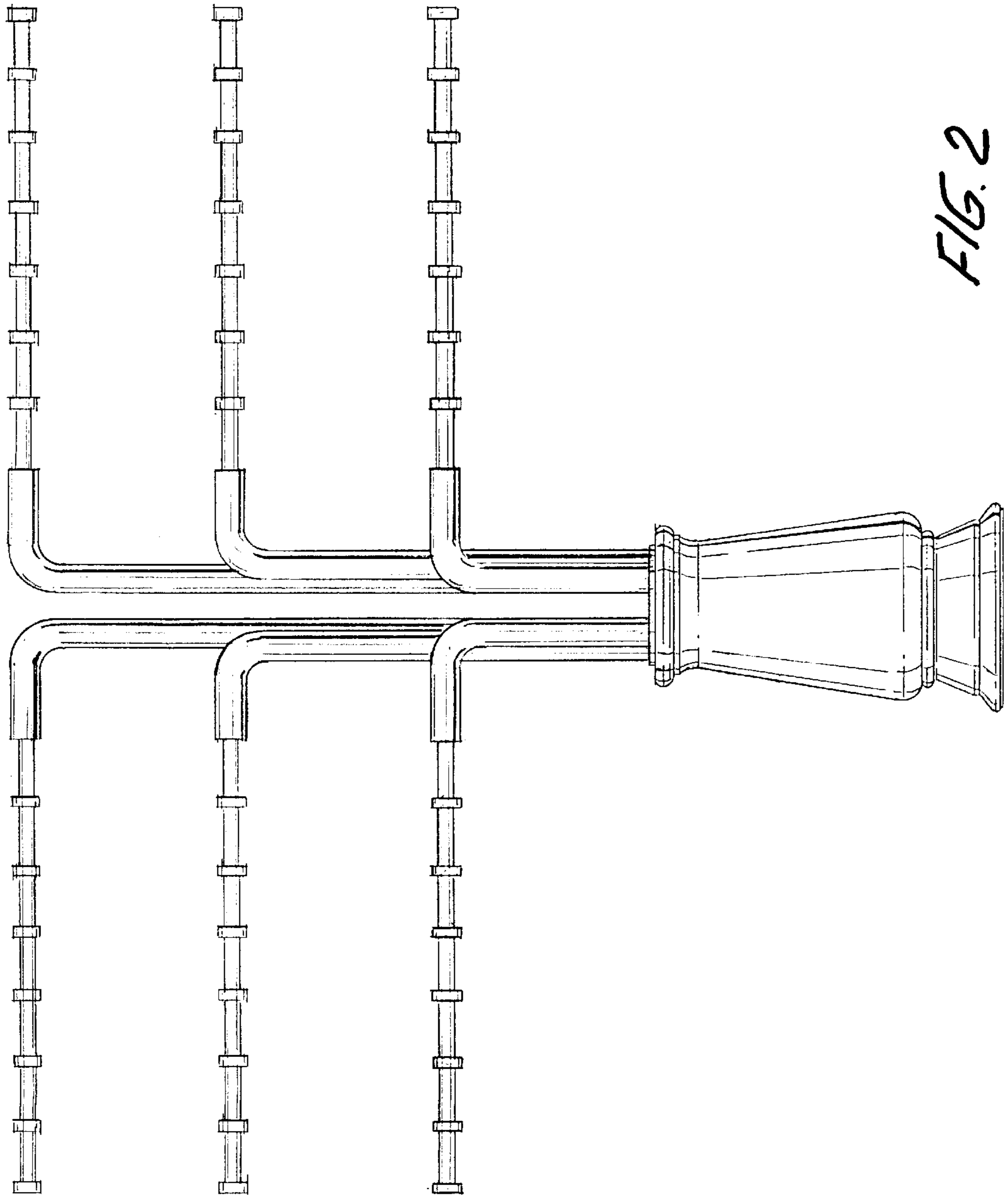


FIG. 2

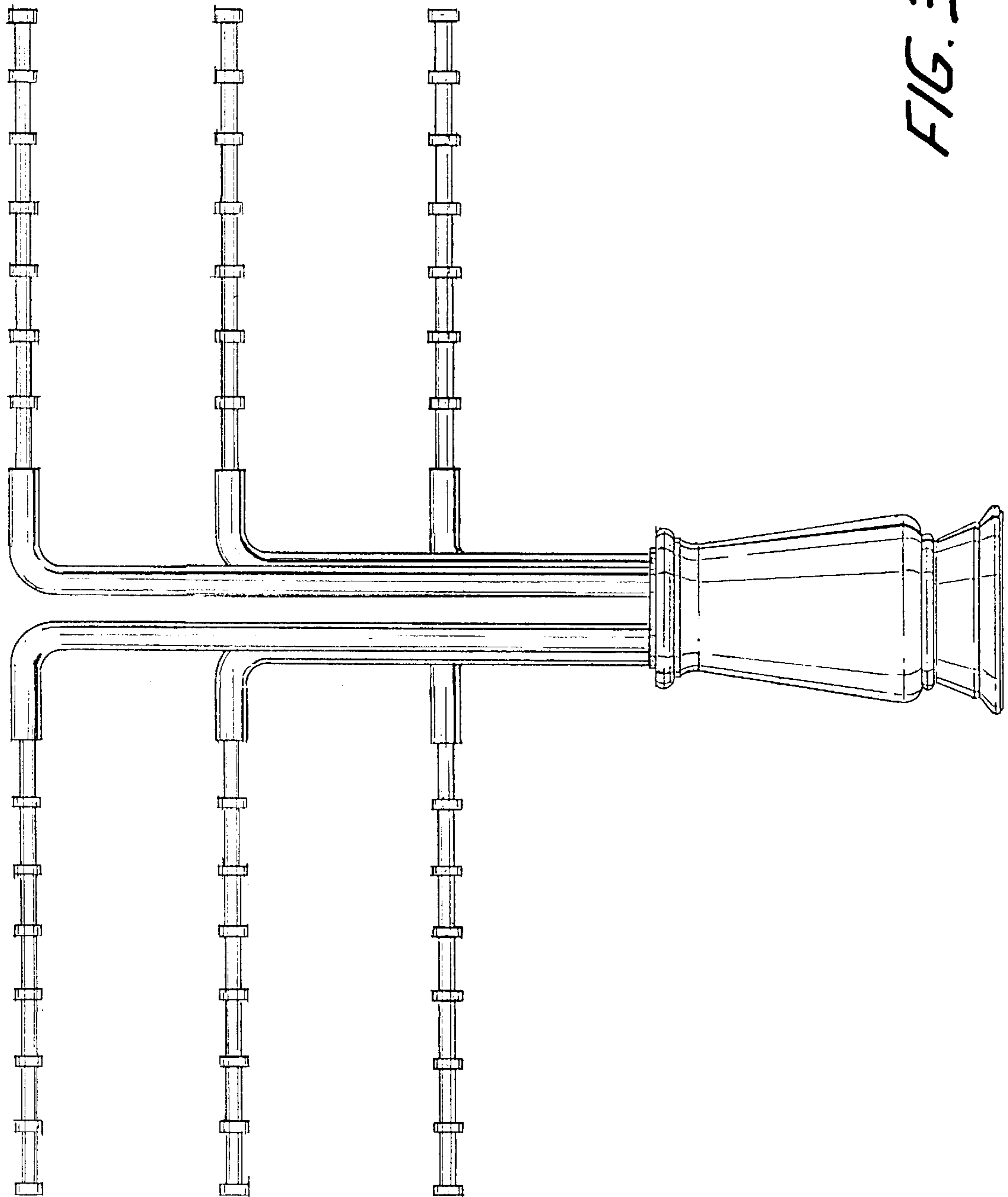


FIG. 3

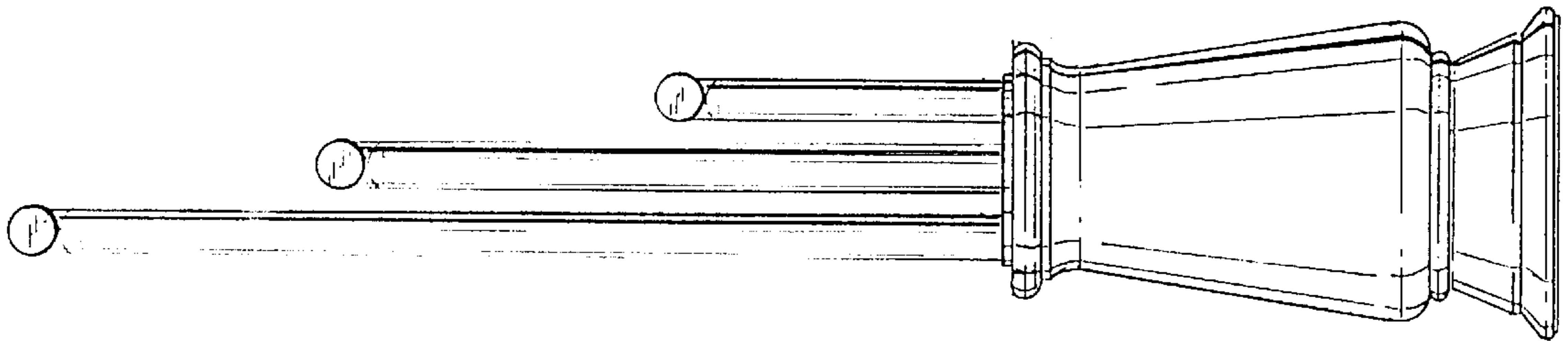


FIG. 4

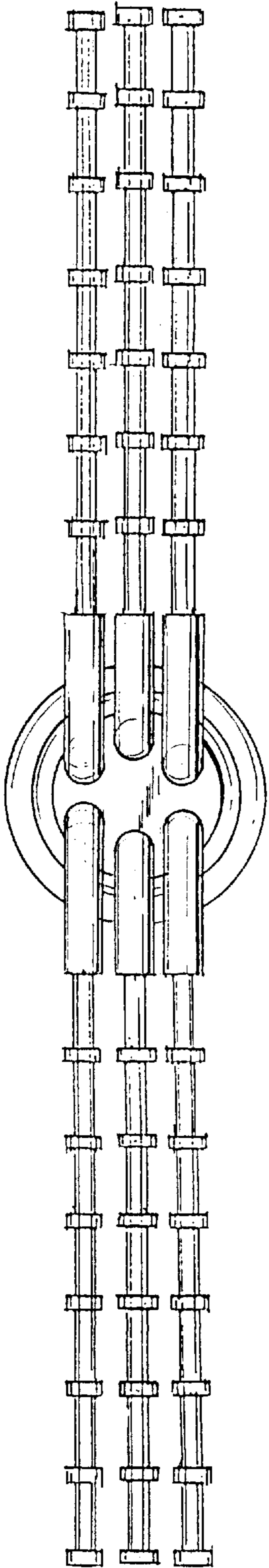


FIG. 5

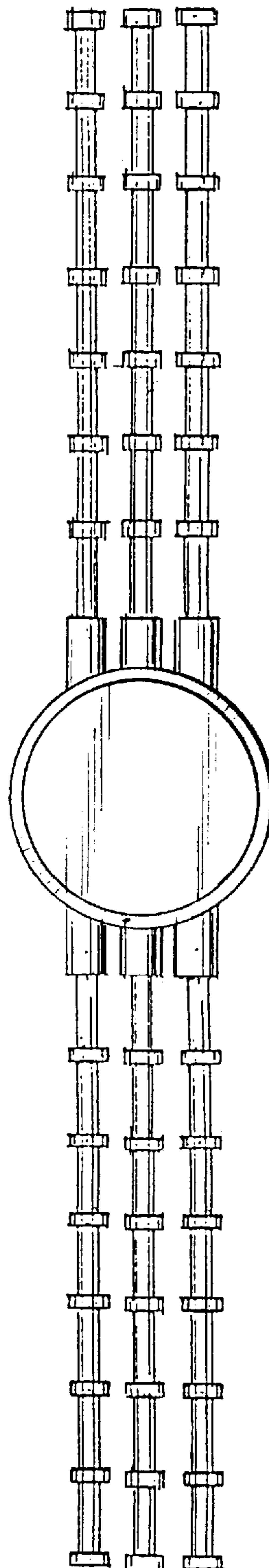


FIG. 6