

US00D398785S

# United States Patent [19]

Pogue et al.

[11] **Patent Number:** **Des. 398,785**

[45] **Date of Patent:** **\*\*Sep. 29, 1998**

[54] **CONVERTIBLE CAMPING STOOL AND TABLE**

[75] Inventors: **Terrence Allen Pogue**, Manchester;  
**Kirk J. Miller**, Wildwood, both of Mo.

[73] Assignee: **American Recreation Products, Inc.**,  
New Haven, Mo.

[\*\*] Term: **14 Years**

[21] Appl. No.: **67,117**

[22] Filed: **Feb. 28, 1997**

[51] **LOC (6) Cl.** ..... **06-01**

[52] **U.S. Cl.** ..... **D6/336; D6/368**

[58] **Field of Search** ..... **D6/334, 335, 336,**  
**D6/349, 353, 368, 374, 500, 501, 502;**  
**297/56, 118, 119**

[56] **References Cited**

**U.S. PATENT DOCUMENTS**

- D. 311,648 10/1990 Pevsner ..... D6/336 X
- D. 364,745 12/1995 Rettenberger ..... D6/336
- 2,727,564 12/1955 Gruber ..... D6/363 X

**OTHER PUBLICATIONS**

- Camping & Fishing Catalog, p. 48, folding chair at top center, 1955.
- Sodibois Jardin, p. 2, stool/table #14 at bottom center, Mar. 28, 1987.

Coleman, p. 5, stool at bottom.  
*CAMPMOR* Catalog p. 50, "Chairs/Tables"; Late Spring 1997.

*Primary Examiner*—Gary D. Watson  
*Attorney, Agent, or Firm*—Senniger, Powers, Leavitt & Roedel

[57] **CLAIM**

The ornamental design for a convertible camping stool and table, as shown and described.

**DESCRIPTION**

FIG. 1 is a right side elevational view of the convertible camping stool and table of the present invention configured as a stool, the left side elevational view being a mirror image thereof;

FIG. 2 is a front elevational view thereof;

FIG. 3 is a rear elevational view thereof;

FIG. 4 is a top plan view thereof;

FIG. 5 is a bottom plan view thereof; and,

FIG. 6 is a right side elevational view of the convertible camping stool and table configured as a table.

The fragmented cross-hatching shown in FIGS. 2 through 5 is understood to represent fabric and is continuous throughout the implied areas.

The broken lines shown on the seat in FIGS. 4 and 5 represent stitching.

**1 Claim, 3 Drawing Sheets**

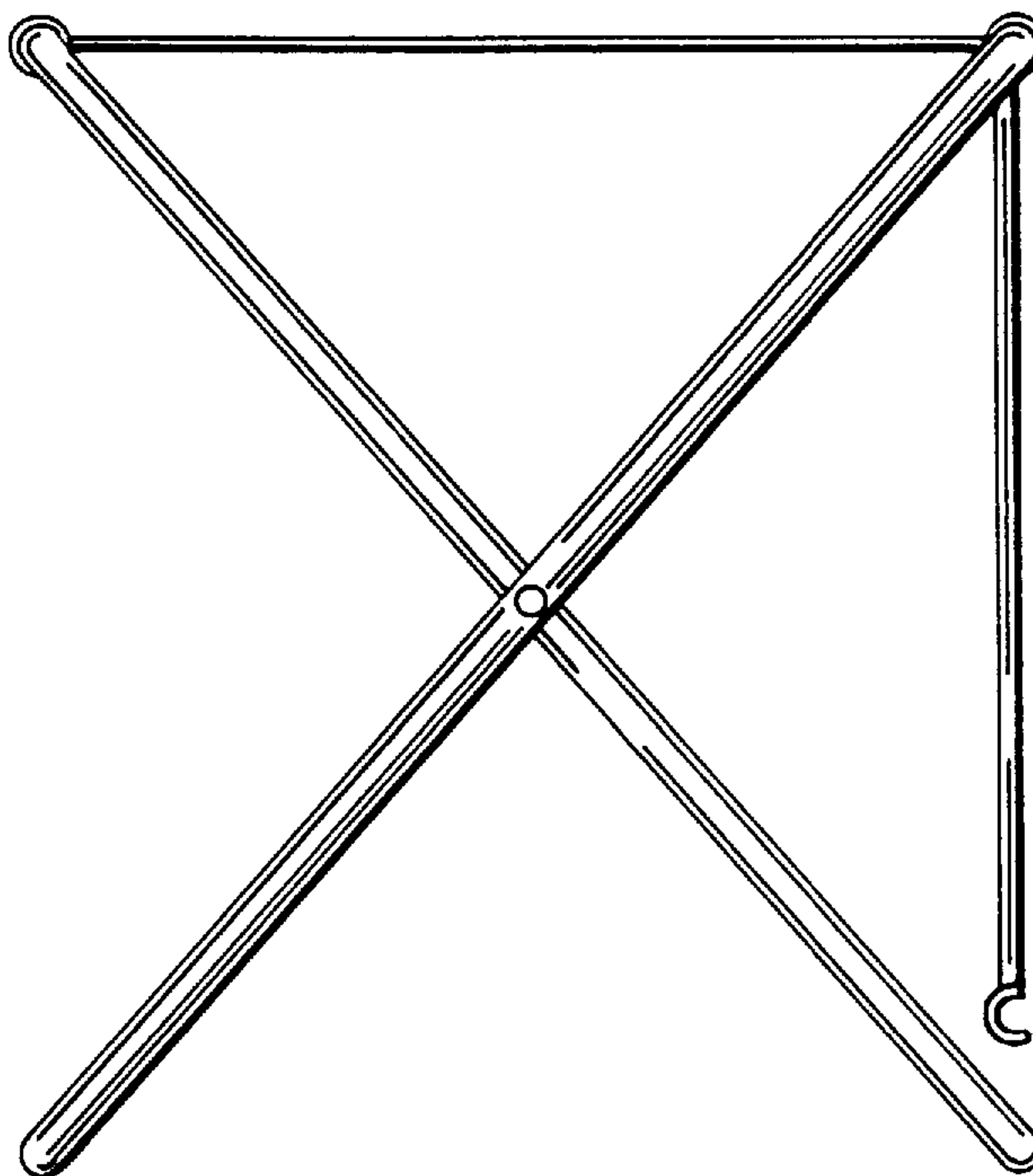


FIG. 1

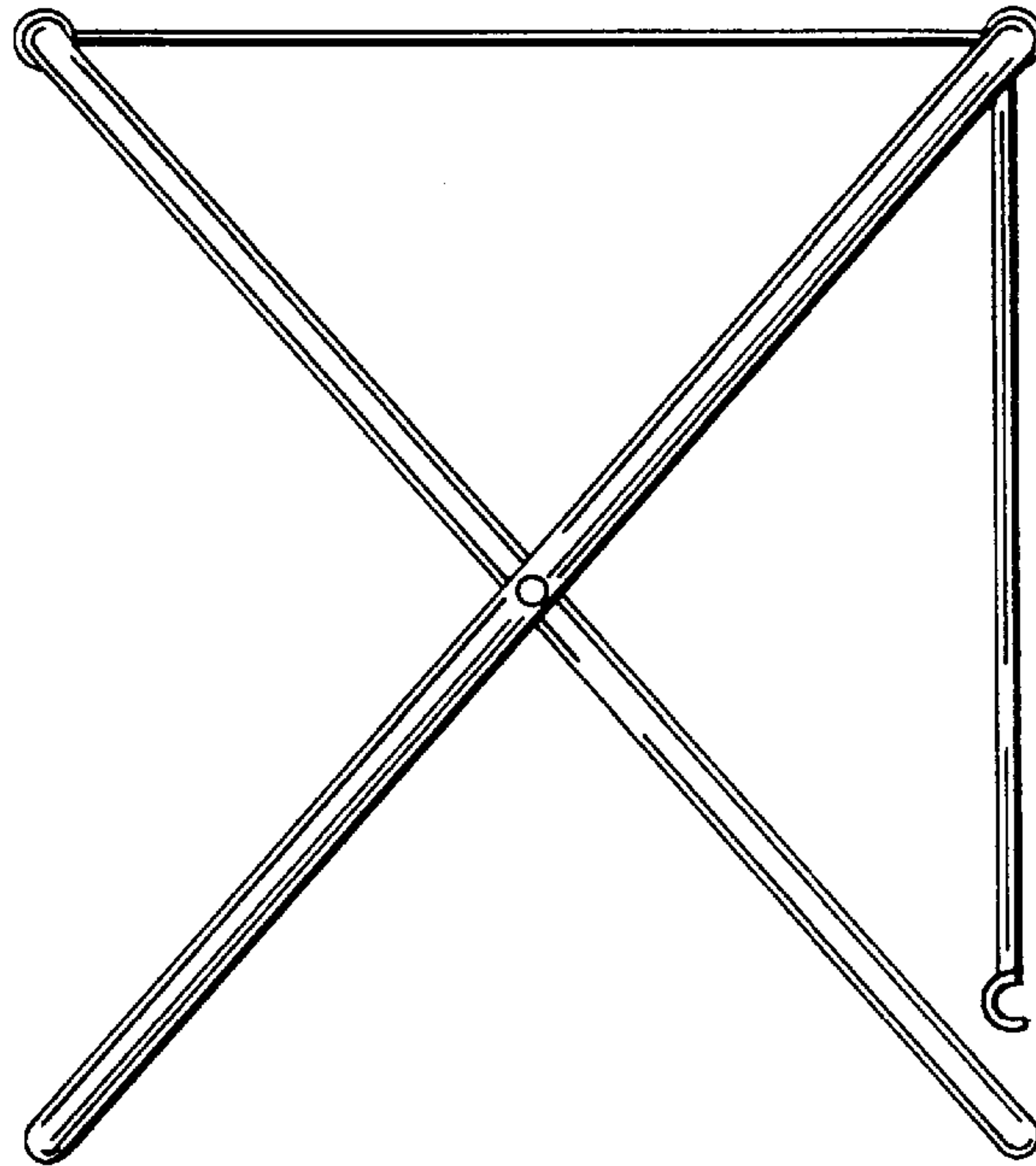


FIG. 2

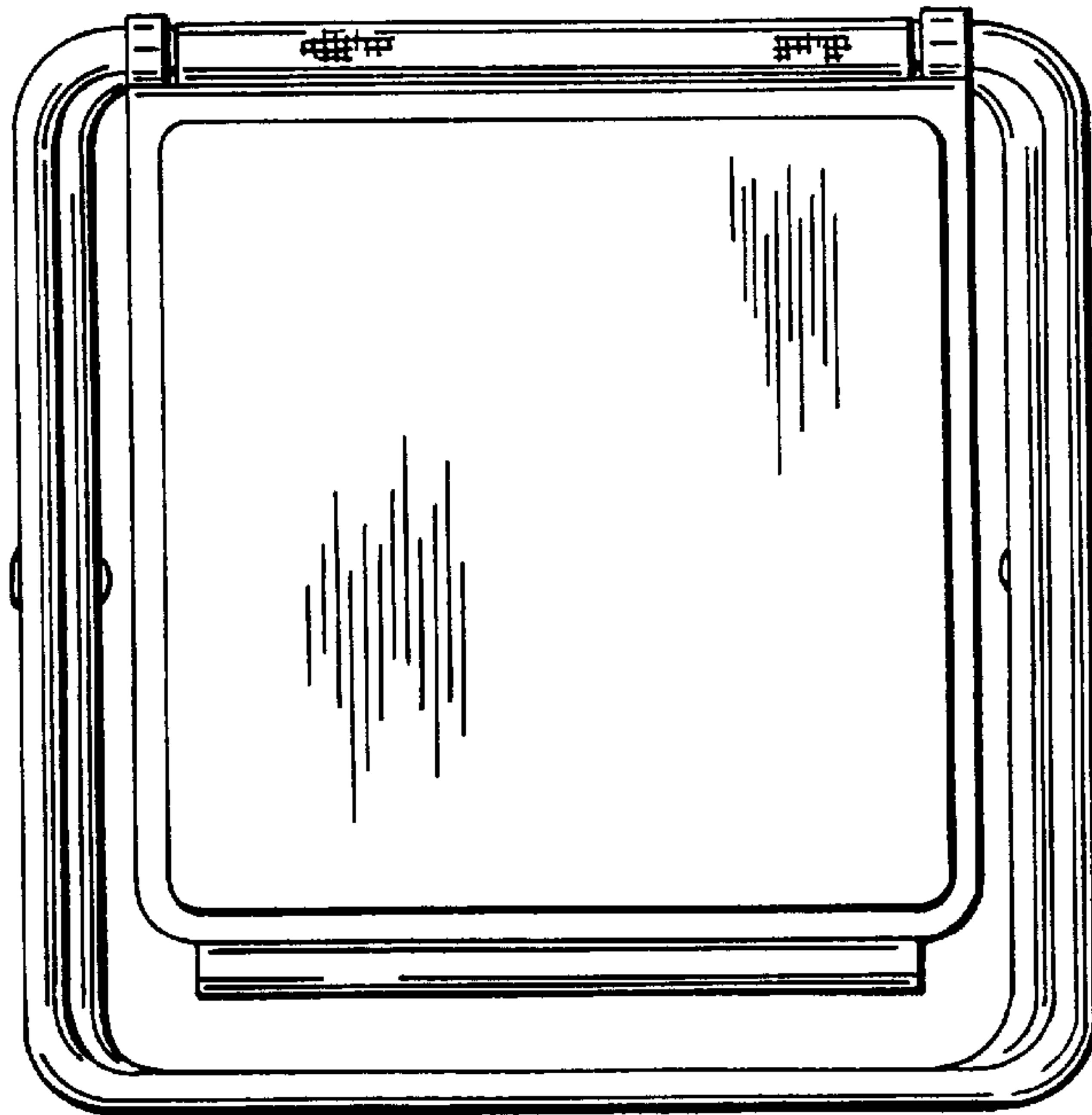


FIG. 3

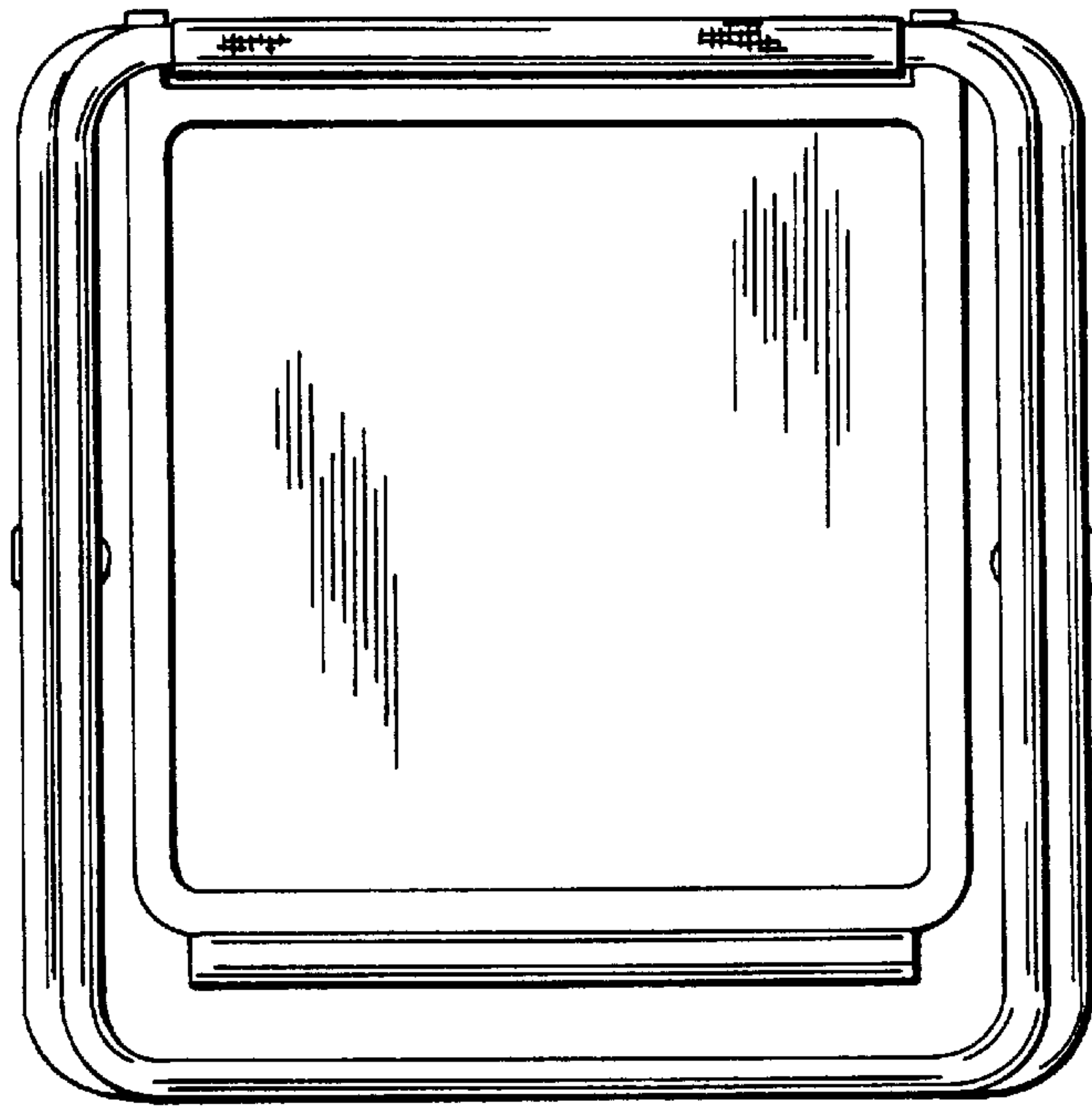


FIG. 4

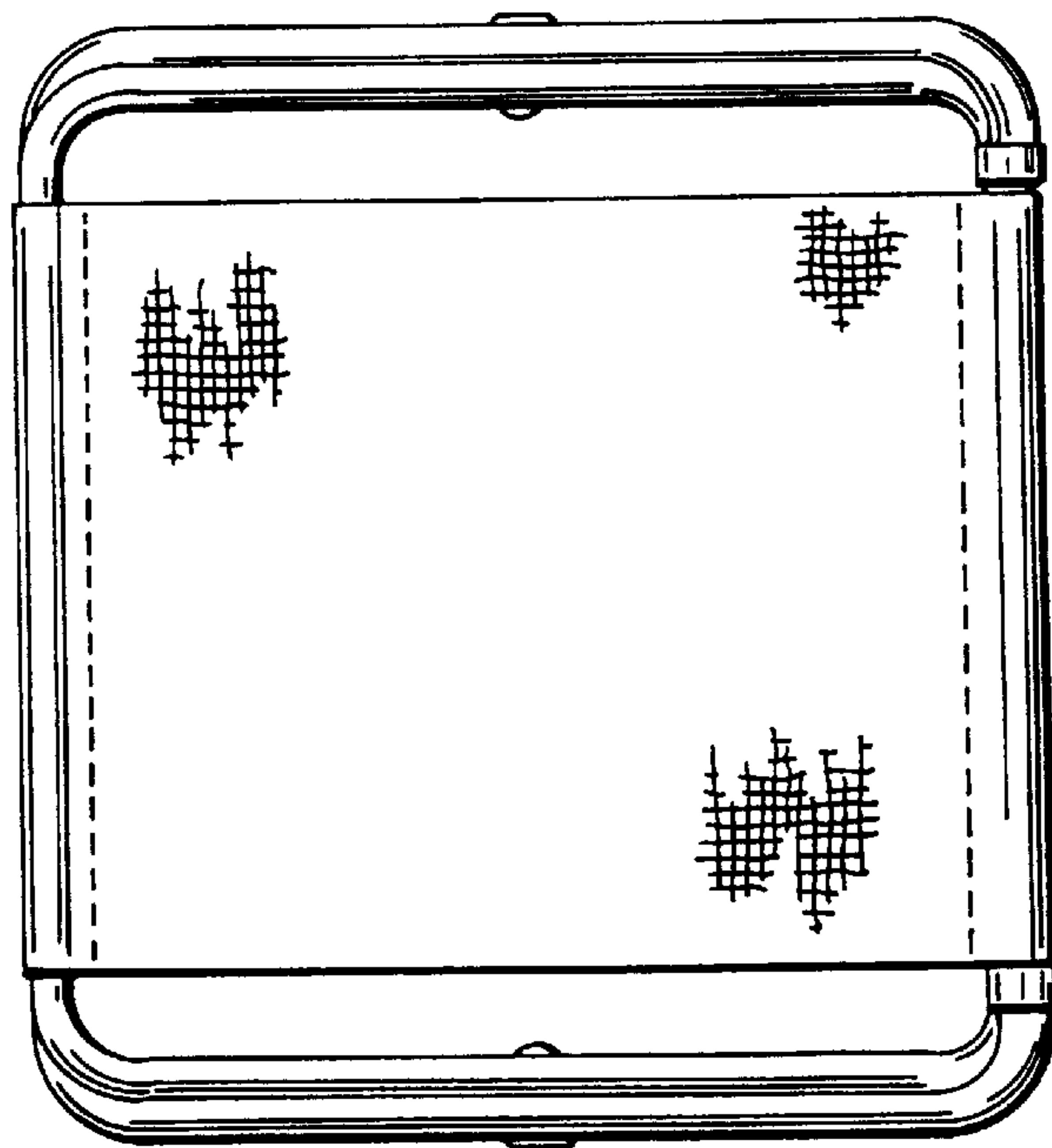


FIG. 5

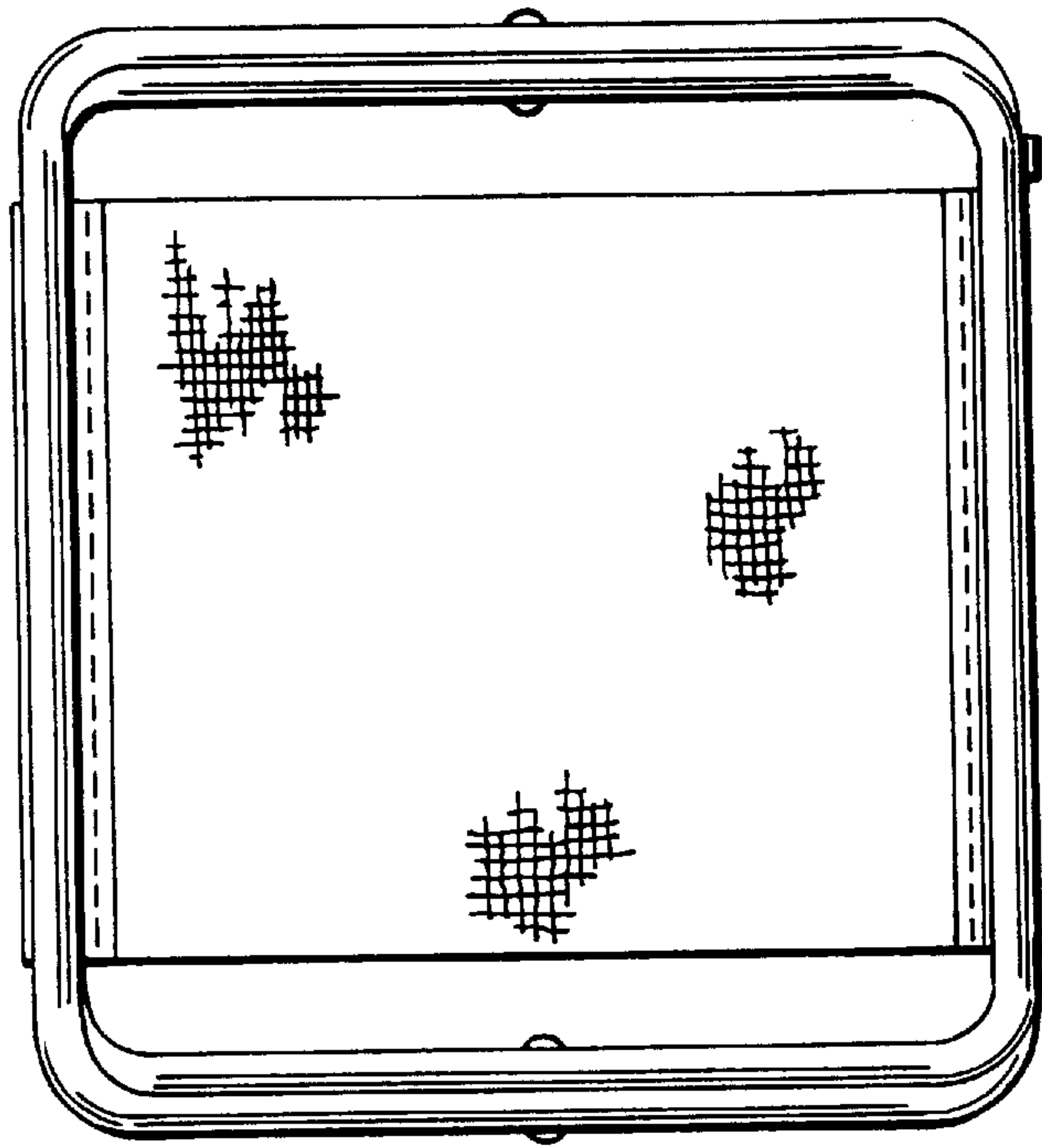


FIG. 6

