



US00D398783S

United States Patent [19] Plein, II

[11] **Patent Number: Des. 398,783**

[45] **Date of Patent: **Sep. 29, 1998**

[54] **FRAME FOR MIRRORS**

D. 339,920 10/1993 Hampshire D6/300

[75] Inventor: **William J. Plein, II**, South Windsor, Conn.

Primary Examiner—Janice E. Seeger
Attorney, Agent, or Firm—Pepe & Hazard LLP

[73] Assignee: **The Stanley Works**, New Britain, Conn.

[57] **CLAIM**

The ornamental design for a frame for mirrors, as shown and described.

[**] Term: **14 Years**

DESCRIPTION

[21] Appl. No.: **72,152**

FIG. 1 is a perspective view of a frame for mirrors showing my new design, the coarse and fine stippling indicating differences in texture between portions thereof;
FIG. 2 is a front elevational view thereof;
FIG. 3 is a top view thereof;
FIG. 4 is a bottom view thereof;
FIG. 5 is a side elevational view thereof, the opposite side being a mirror image;
FIG. 6 is a rear elevational view thereof; and,
FIG. 7 is an enlarged fragmentary sectional view taken along the line 7—7 in FIG. 6; the broken line showing of the mirror is for environmental purposes only and forms no part of the claimed design.

[22] Filed: **Jun. 23, 1997**

[51] **LOC (6) Cl.** **06-07**

[52] **U.S. Cl.** **D6/300**

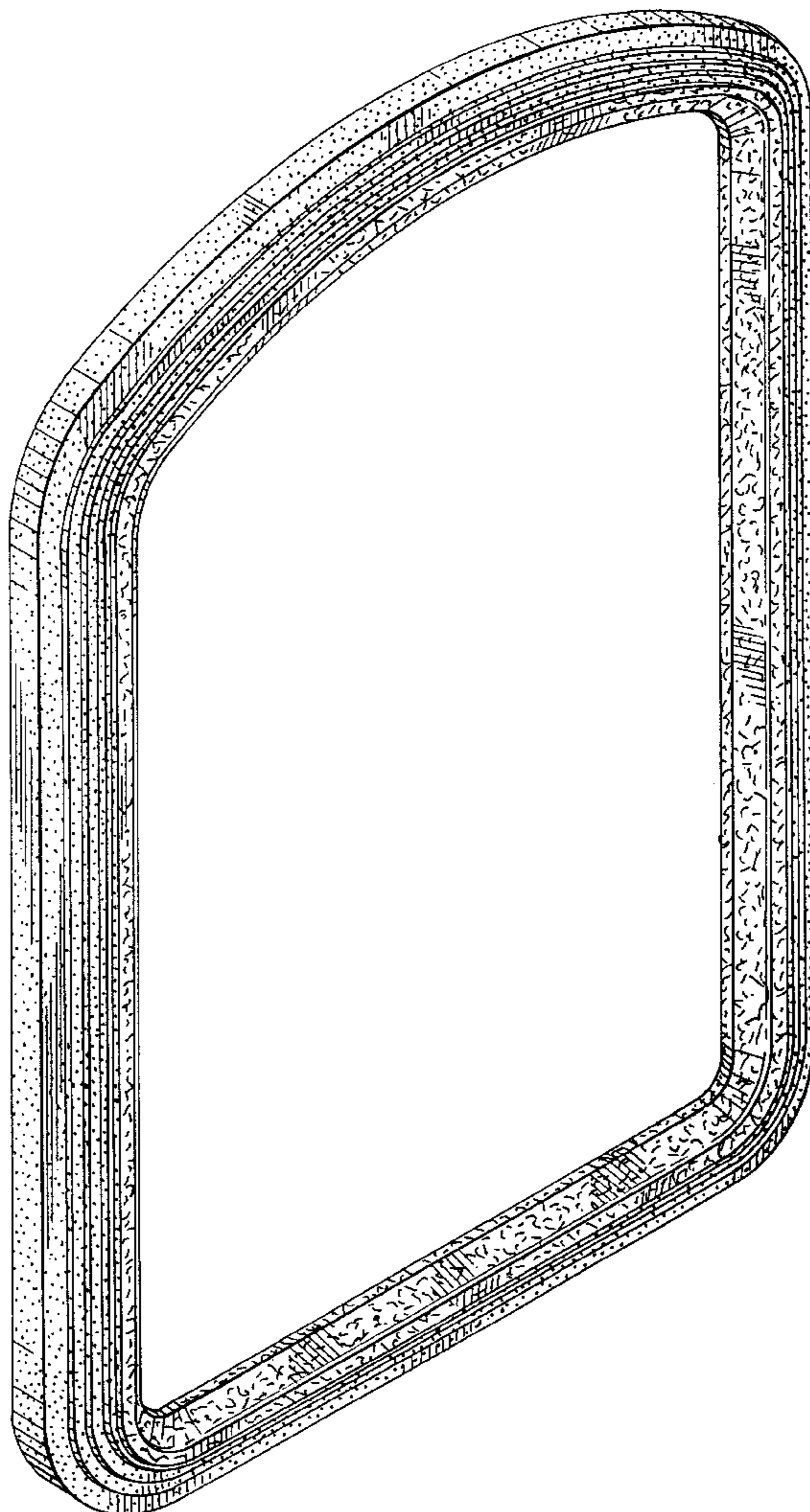
[58] **Field of Search** D6/300-303, 308-314;
D20/10, 40; 40/700, 711, 721-724, 765,
766, 798

[56] **References Cited**

U.S. PATENT DOCUMENTS

- D. 248,605 7/1978 Tougas et al. D6/300
- D. 312,923 12/1990 Bleazard D6/300
- D. 329,949 10/1992 White D6/300

1 Claim, 3 Drawing Sheets



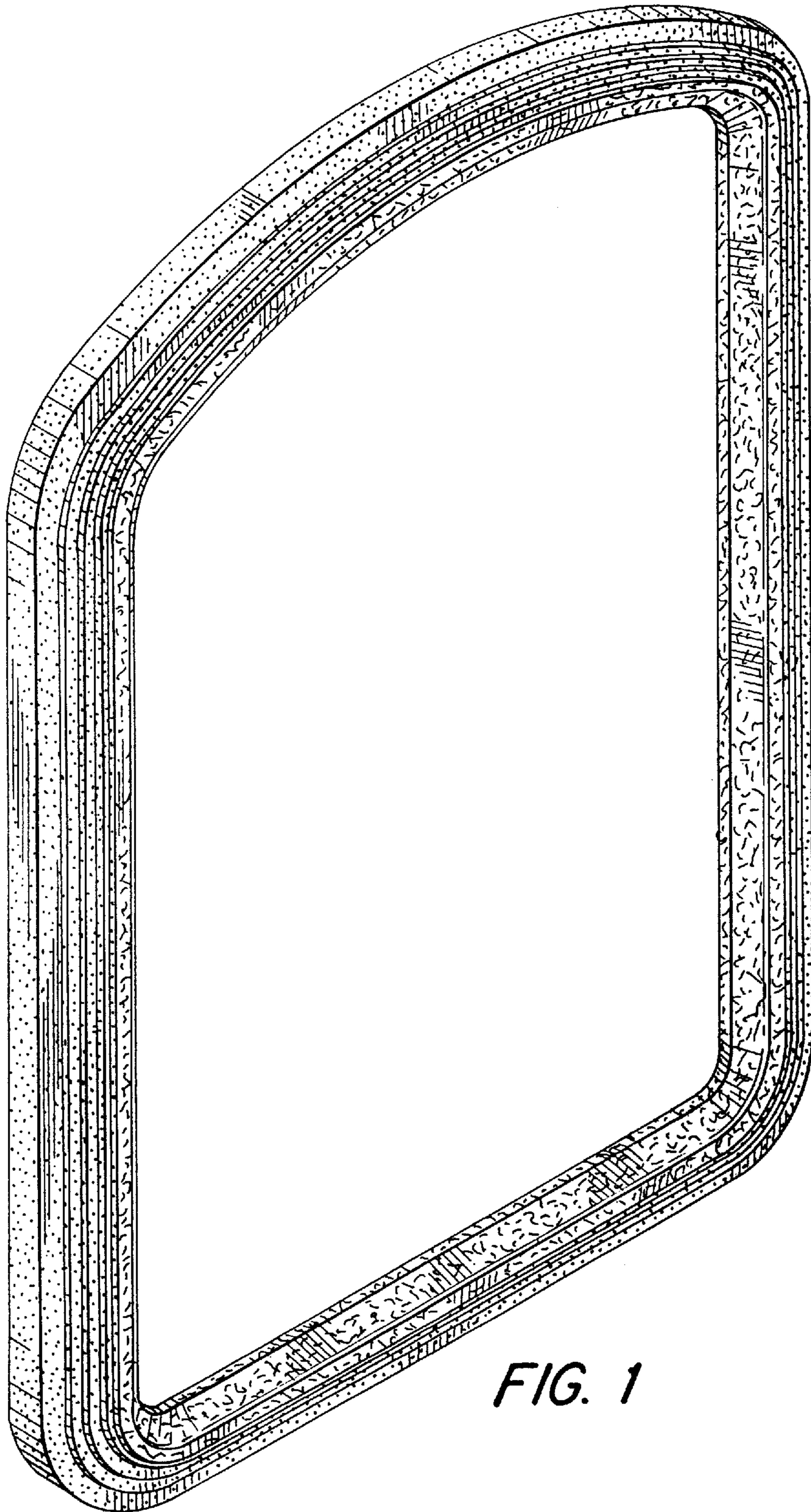


FIG. 1

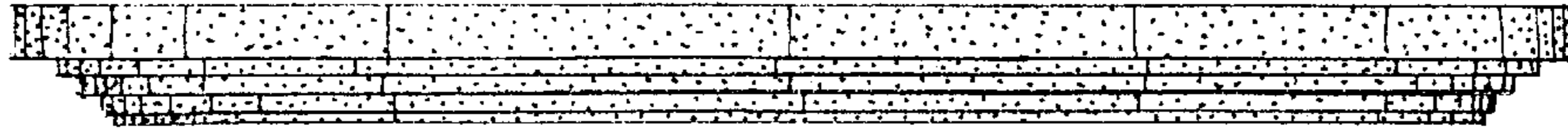


FIG. 3

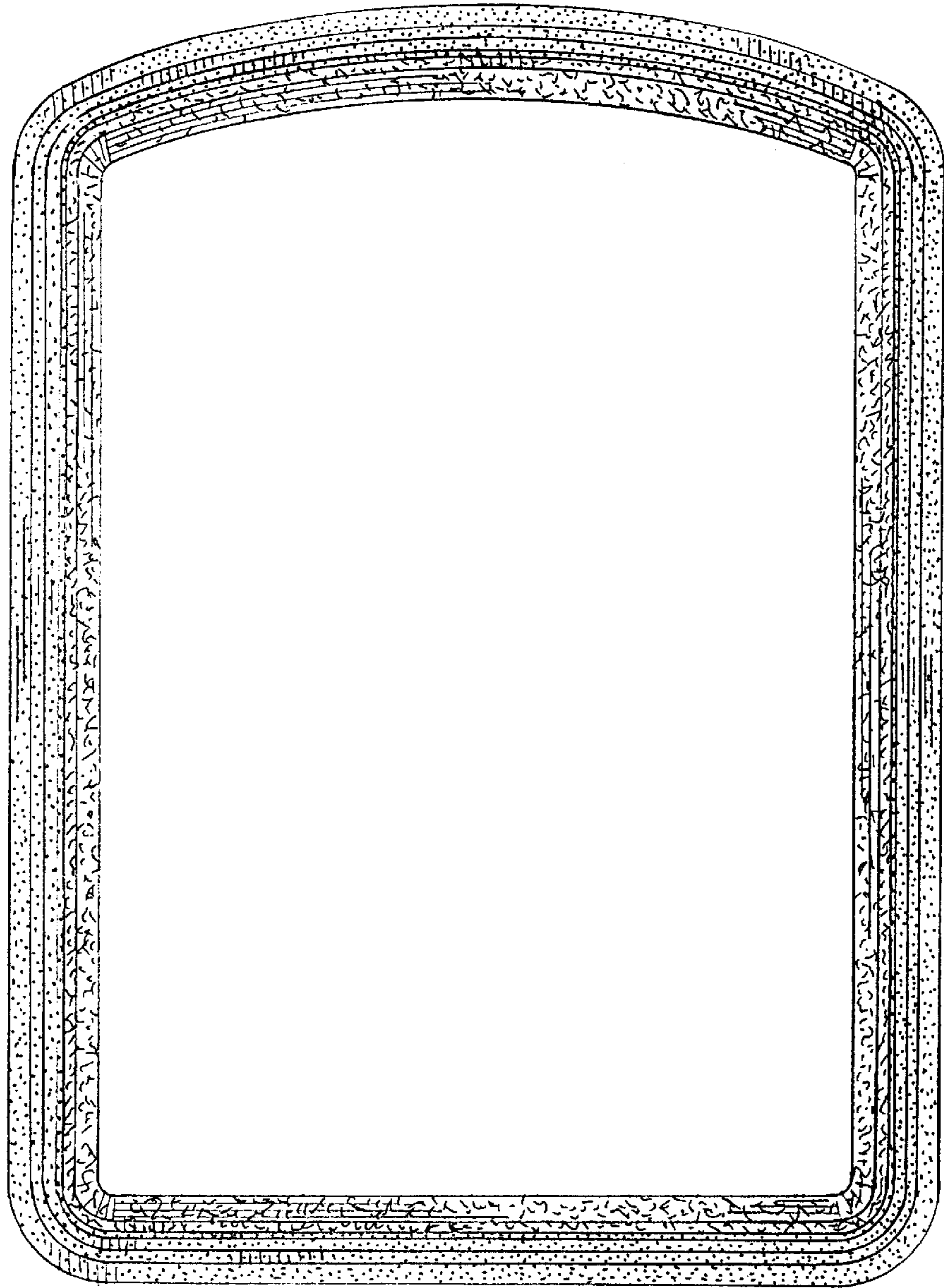


FIG. 2

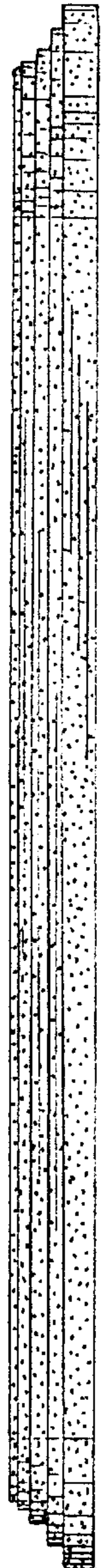


FIG. 4



FIG. 5

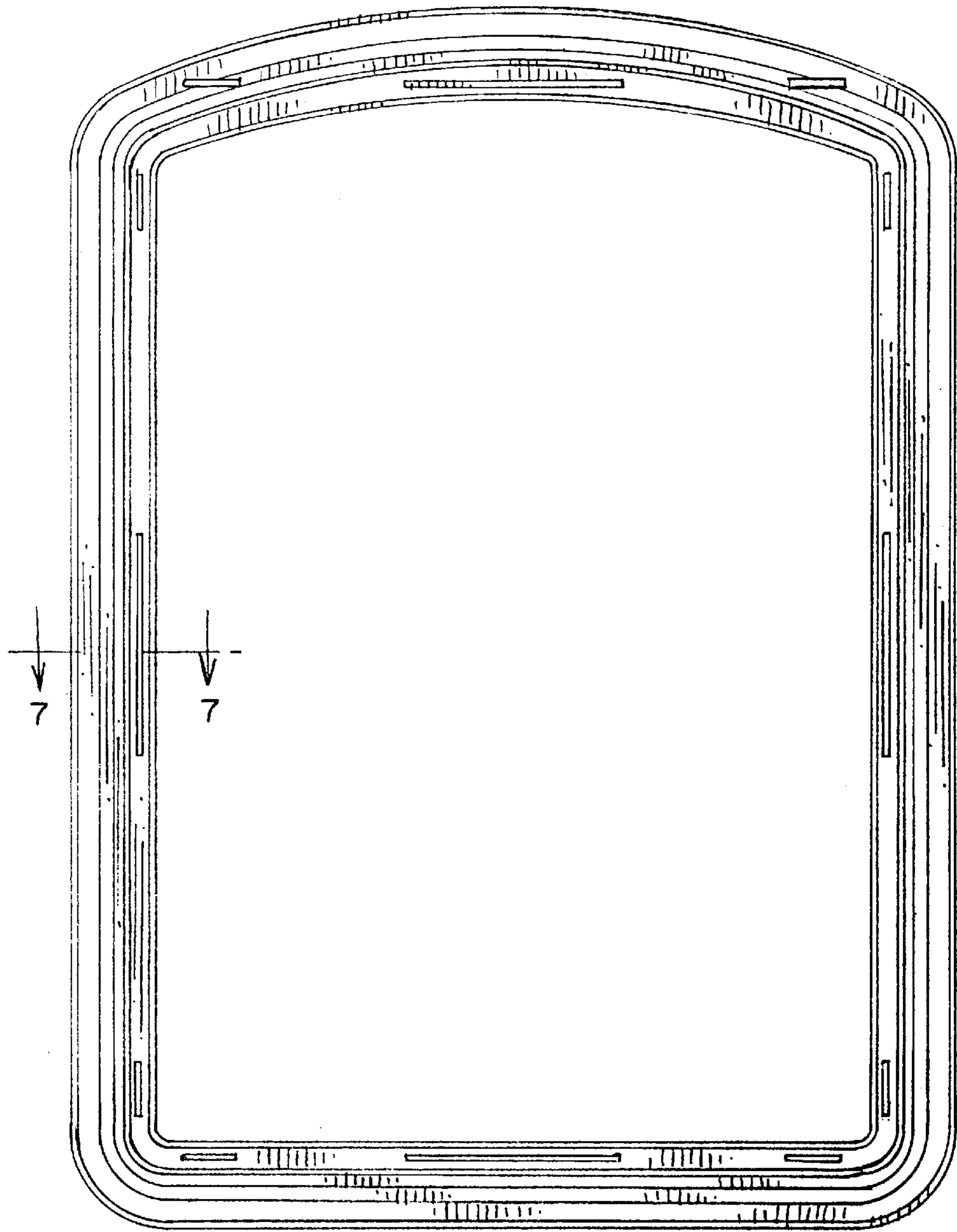


FIG. 6

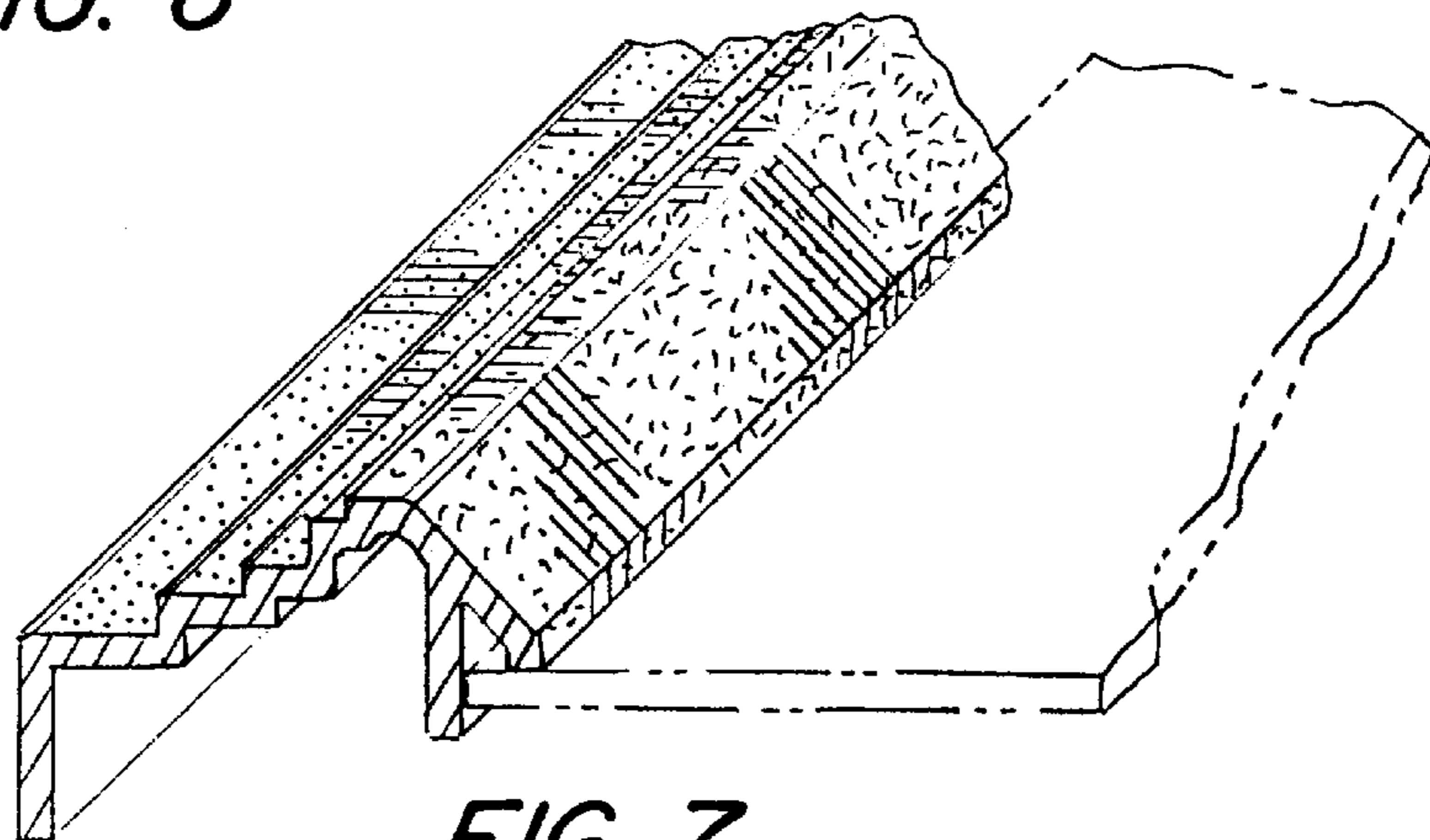


FIG. 7