



US00D398779S

# United States Patent [19] Ebbenga

[11] Patent Number: Des. 398,779

[45] Date of Patent: \*\*Sep. 29, 1998

[54] ELONGATED CLEANING TOOL

[76] Inventor: **Randall D. Ebbenga**, 517 N. Broad St.,  
Mankato, Minn. 56001

[\*\*] Term: **14 Years**

[21] Appl. No.: **80,229**

[22] Filed: **Dec. 4, 1997**

[51] LOC (6) Cl. .... **04-01**

[52] U.S. Cl. .... **D4/118; D32/42**

[58] Field of Search ..... D4/116, 118, 132,  
D4/135; D32/42; 15/105, 111, 159.1, 160,  
236.01, 236.02

[56] **References Cited**

**U.S. PATENT DOCUMENTS**

D. 203,742	2/1966	Roberts	.....	D4/118
D. 218,388	8/1970	Whitaker	.....	D4/118
D. 232,299	8/1974	Epstein	.....	D4/118
1,483,760	2/1924	Yoshizawa	.....	15/111
4,908,900	3/1990	McLaughlin et al.	.....	15/111

*Primary Examiner*—Alan P. Douglas  
*Assistant Examiner*—Lavone D. Tabor

[57] **CLAIM**

The ornamental design for an elongated cleaning tool, as shown and described.

**DESCRIPTION**

FIG. 1 is a front elevational view of the elongated cleaning tool of the present invention;  
 FIG. 2 is a back elevational view of the elongated cleaning tool of FIG. 1;  
 FIG. 3 is a left side elevational view of the elongated cleaning tool of FIG. 1;  
 FIG. 4 is a right side elevational view of the elongated cleaning tool of FIG. 1;  
 FIG. 5 is a top plan view of the elongated cleaning tool of FIG. 1; and,  
 FIG. 6 is a bottom plan view of the elongated cleaning tool of FIG. 1.  
 The handle is shown broken away to indicate indeterminate length.

**1 Claim, 3 Drawing Sheets**

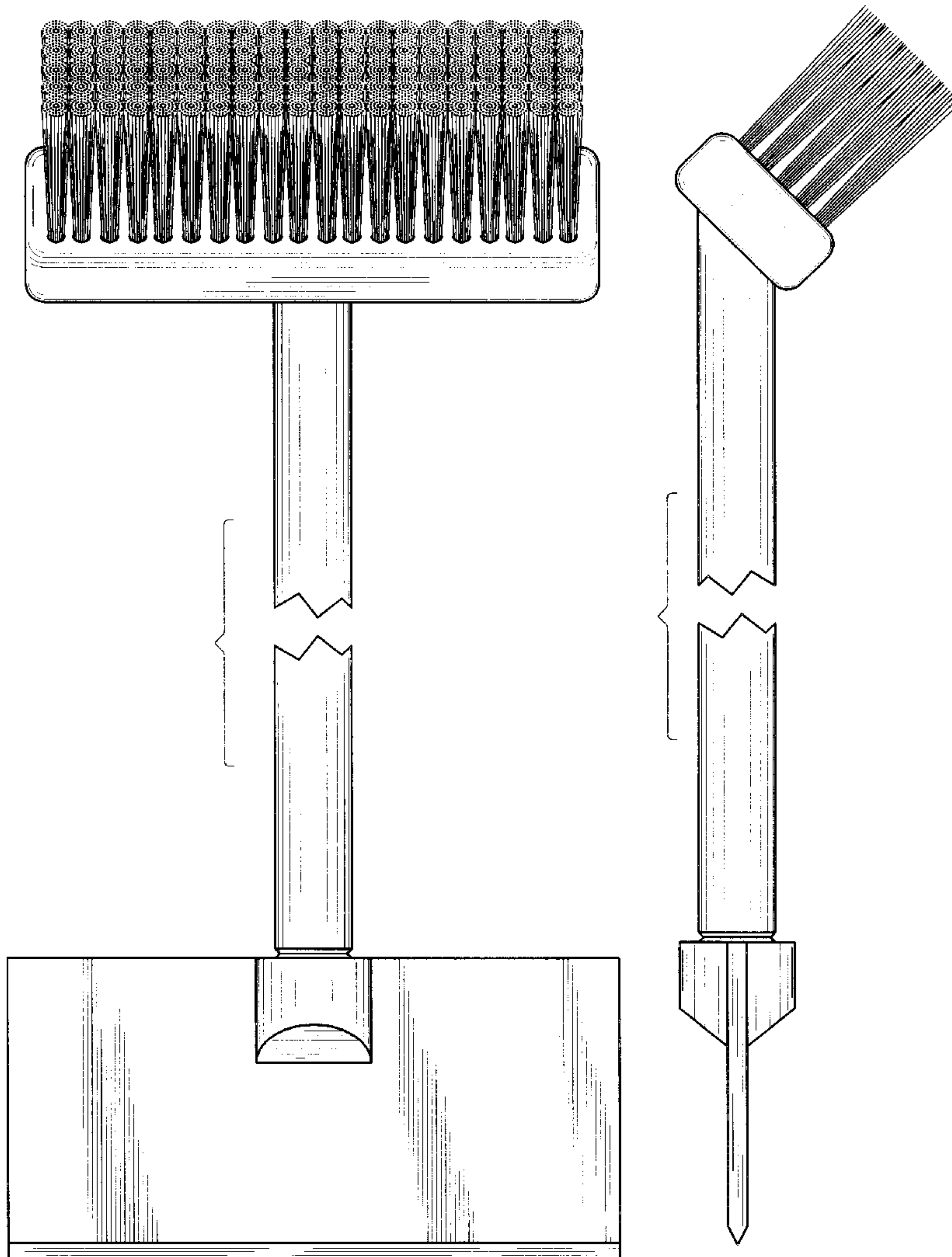


FIG. 1

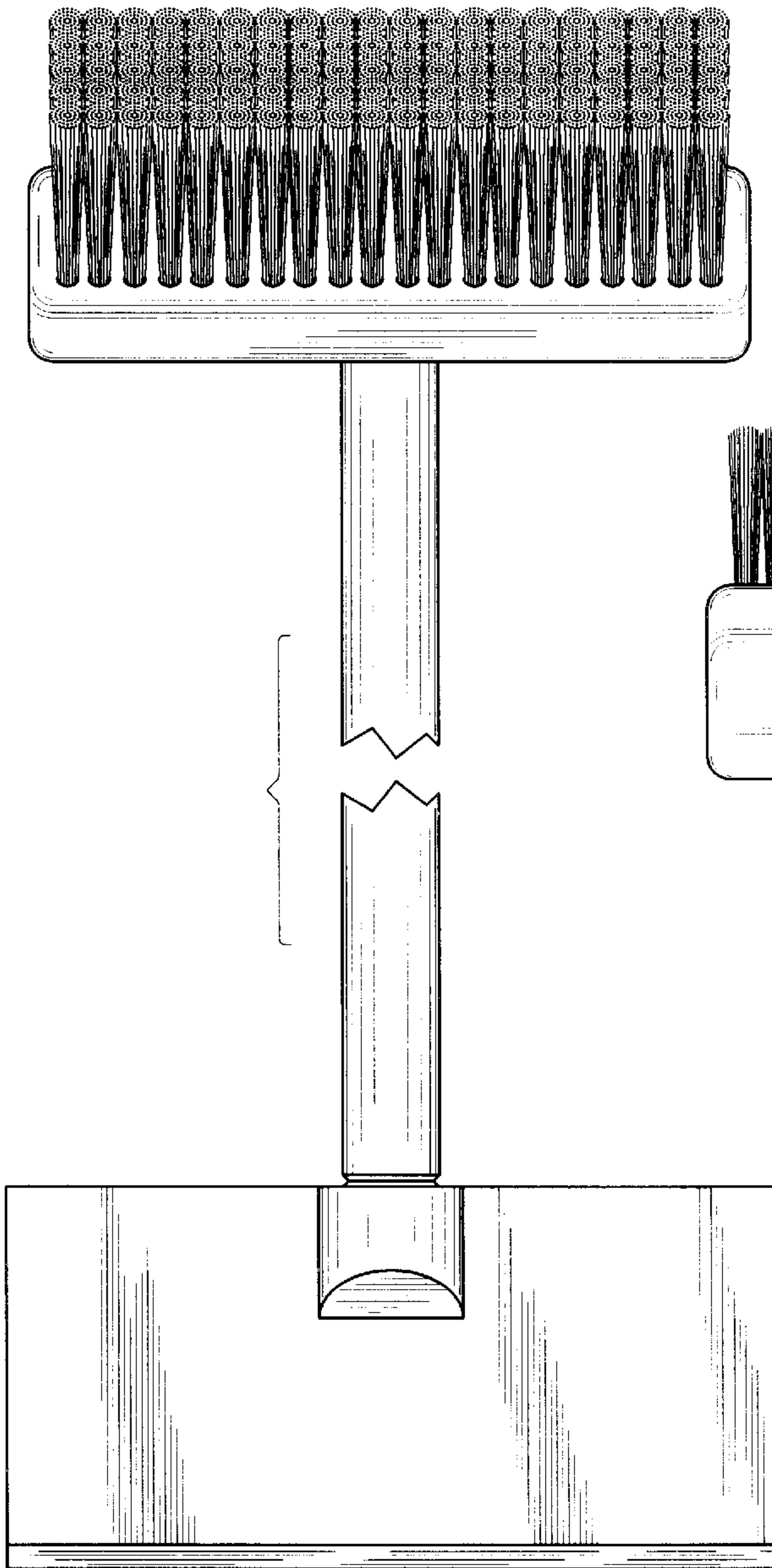


FIG. 2

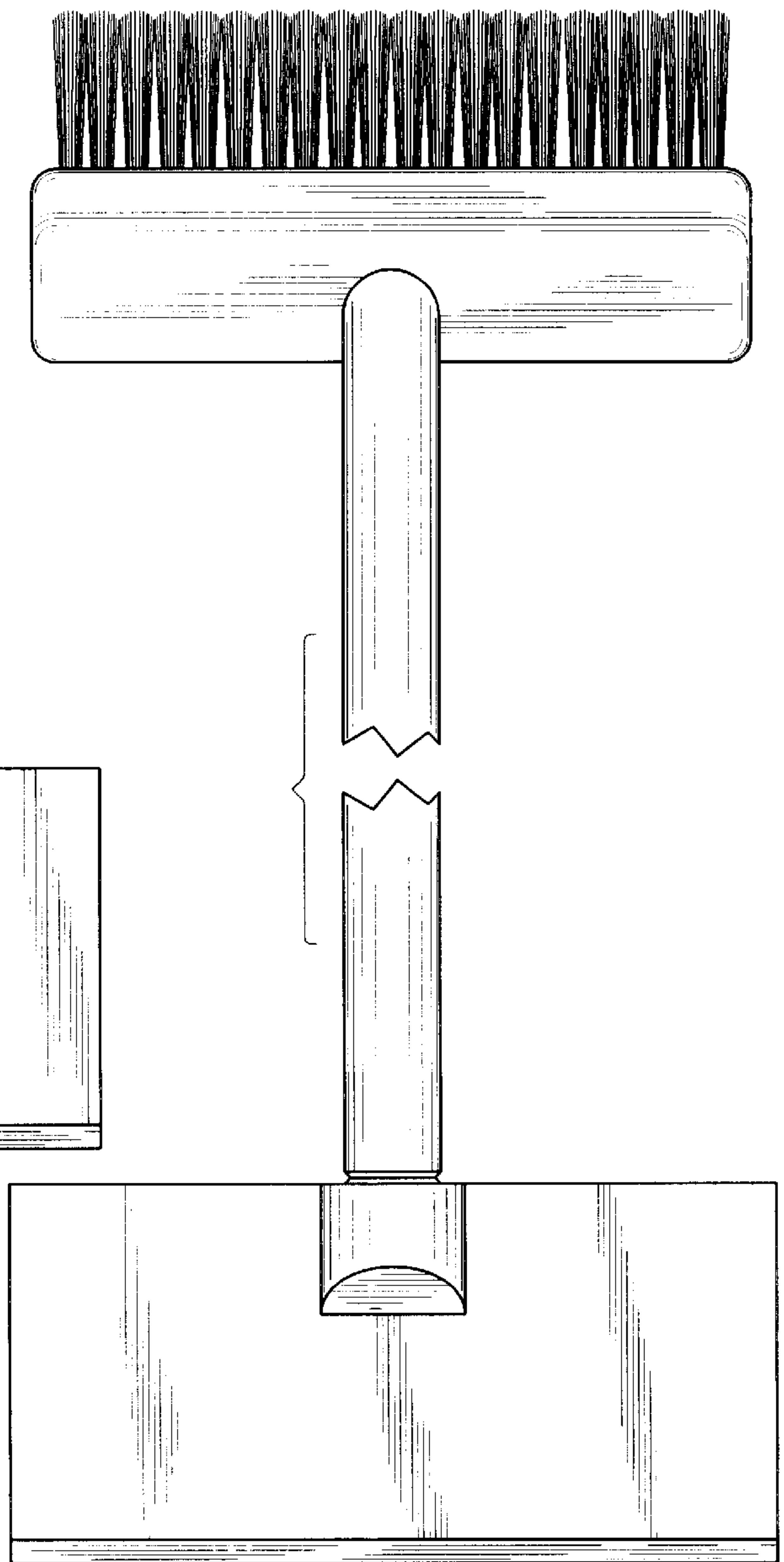


FIG. 3

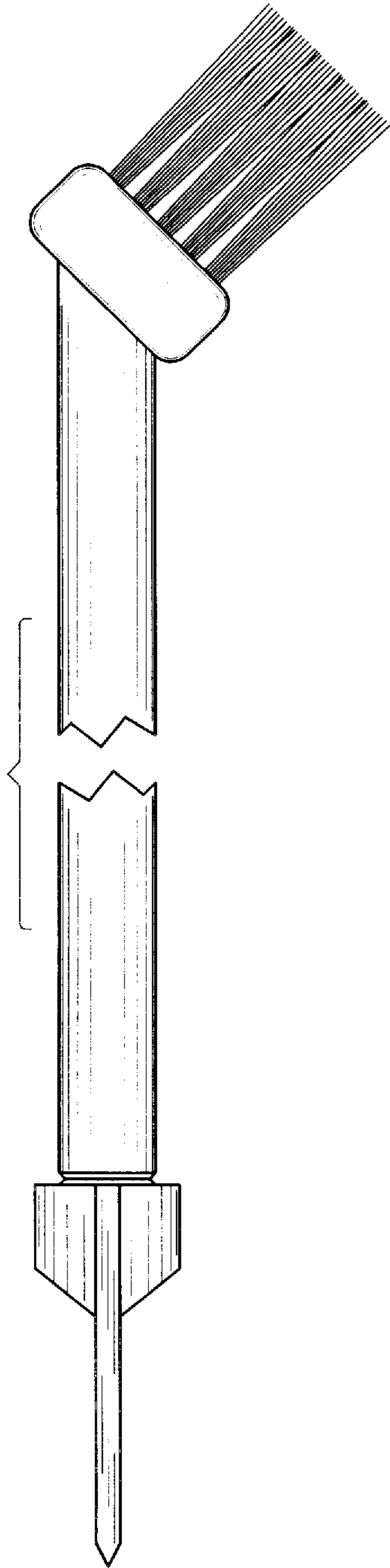
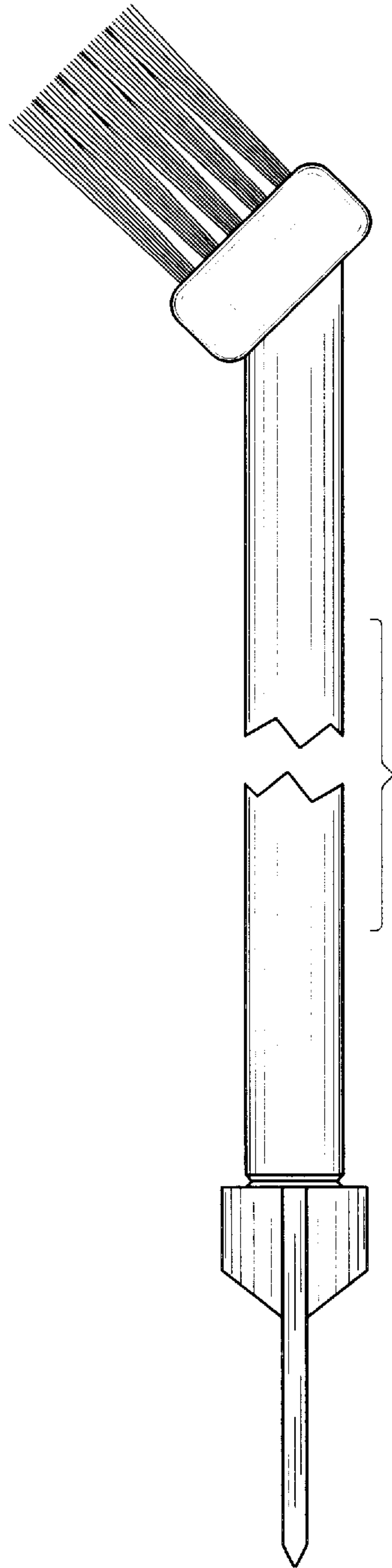
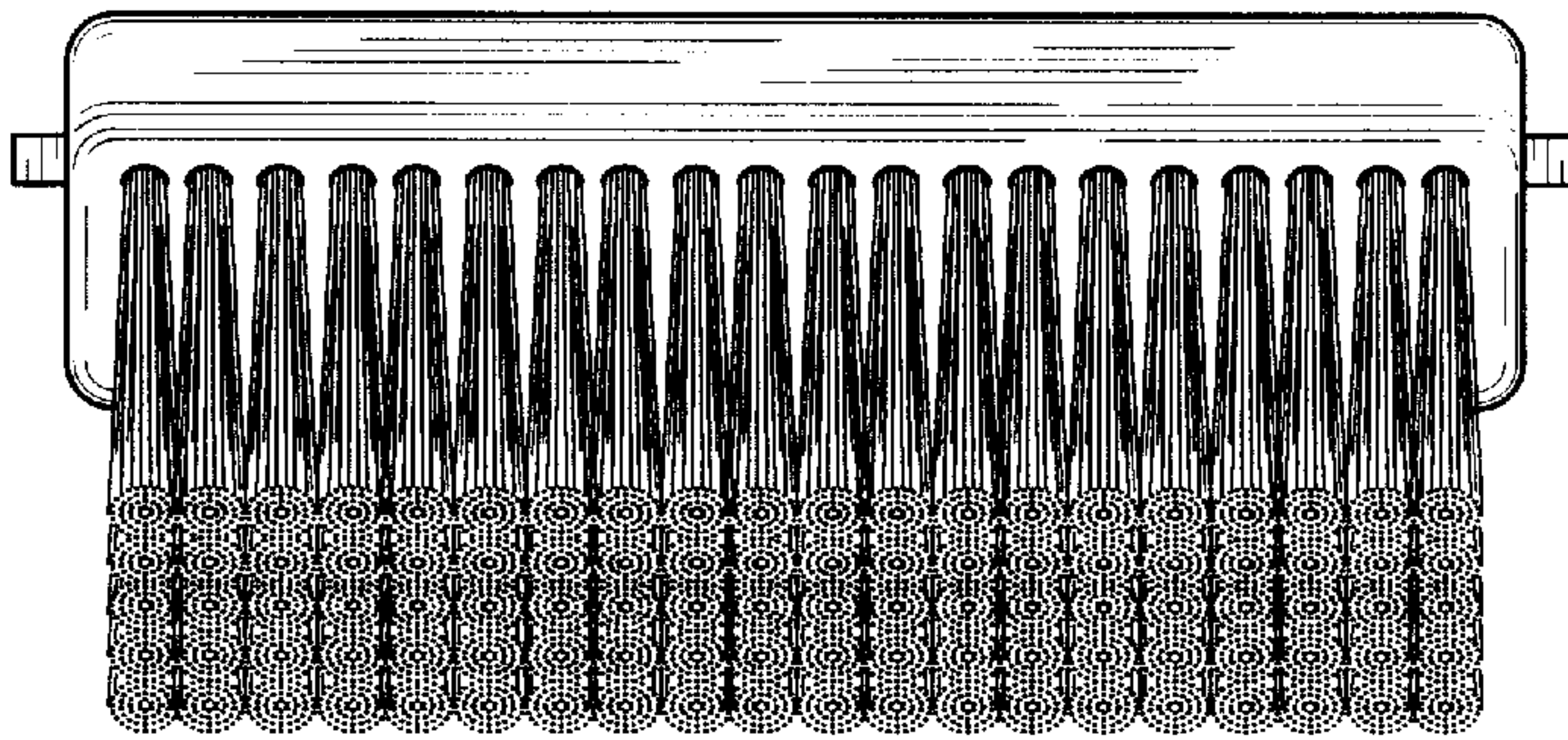


FIG. 4



*FIG. 5*



*FIG. 6*

