



US00D398775S

**United States Patent** [19]  
**Fritsche**

[11] **Patent Number: Des. 398,775**

[45] **Date of Patent: \*\*Sep. 29, 1998**

[54] **KEYCHAIN**

[76] Inventor: **James T. Fritsche**, 6414 Fordham Dr.,  
Parma, Ohio 44129

[\*\*] Term: **14 Years**

[21] Appl. No.: **73,820**

[22] Filed: **Jul. 1, 1997**

[51] **LOC (6) Cl.** ..... **03-01**

[51] **LOC (6) Cl.** ..... **11-01**

[52] **U.S. Cl.** ..... **D3/211; D11/83**

[58] **Field of Search** ..... **D3/207-212; D11/49,**  
**D11/53, 83, 101; 70/456 R, 456 B**

[56] **References Cited**

**U.S. PATENT DOCUMENTS**

D. 162,443 3/1951 Parenti ..... D3/211

D. 189,242 11/1960 Lagannella ..... D3/211

*Primary Examiner*—Ralf Seifert

*Attorney, Agent, or Firm*—D. Peter Hochberg; Mark Kusner

[57] **CLAIM**

The ornamental design for a keychain, as shown and described.

**DESCRIPTION**

FIG. 1 is a top perspective view of the keychain embodying my new design;

FIG. 2 is a front perspective of the keychain shown in FIG. 1;

FIG. 3 is a side perspective view of the keychain shown in FIG. 1;

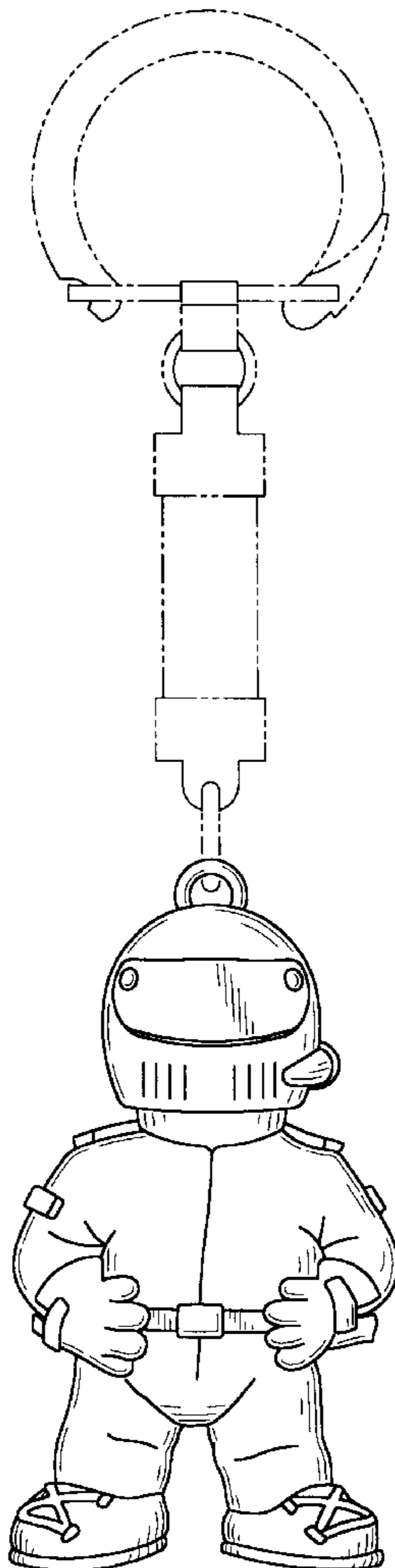
FIG. 4 is a rear perspective view of the keychain shown in FIG. 1;

FIG. 5 is a side perspective view of the keychain shown in FIG. 1, on the opposite side from that shown in FIG. 3; and,

FIG. 6 is a bottom perspective view of the keychain shown in FIG. 1.

The broken line showing of a keychain, in FIGS. 2 and 3, is for illustrative purposes only and forms no part of the claimed design.

**1 Claim, 2 Drawing Sheets**



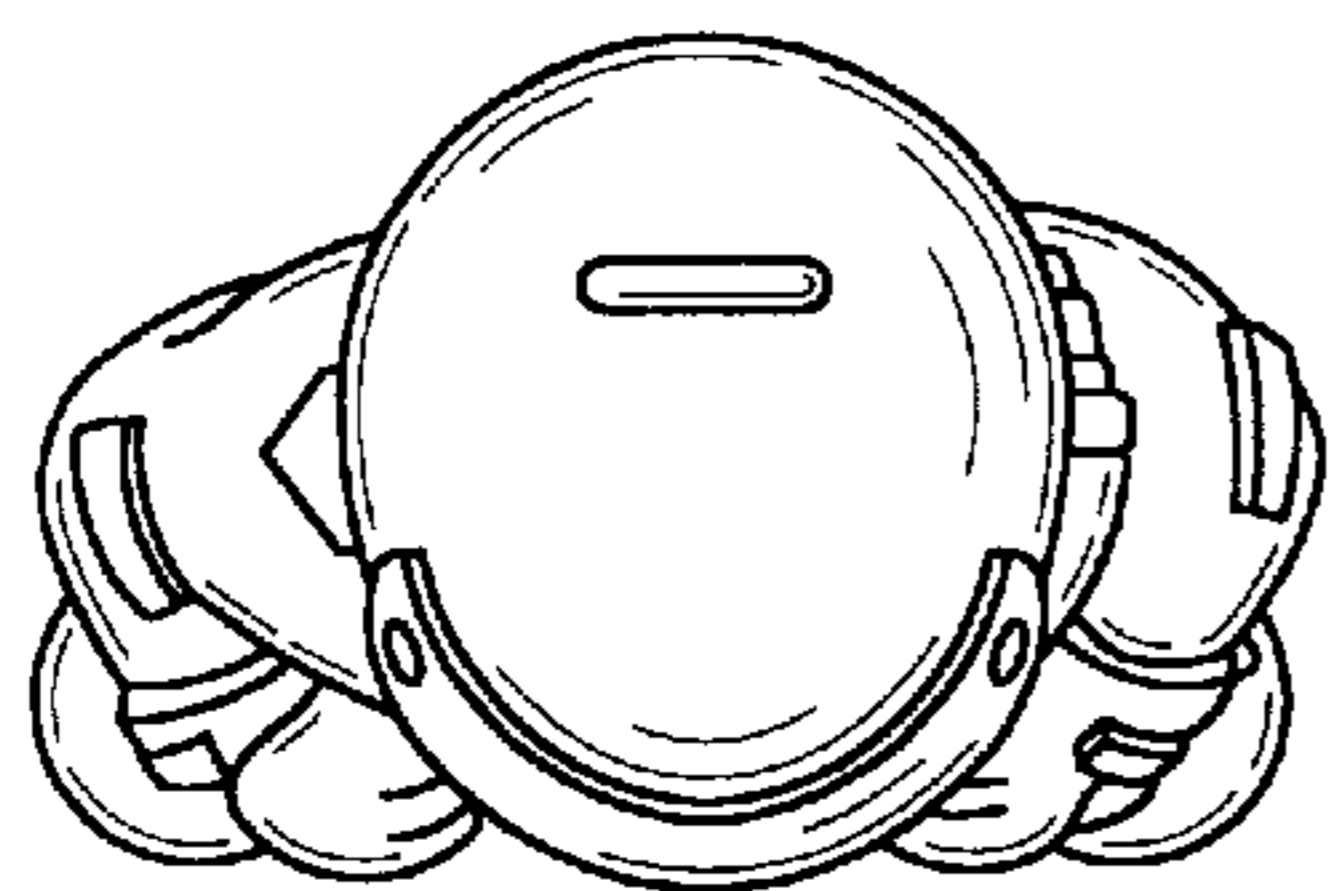


FIG-1

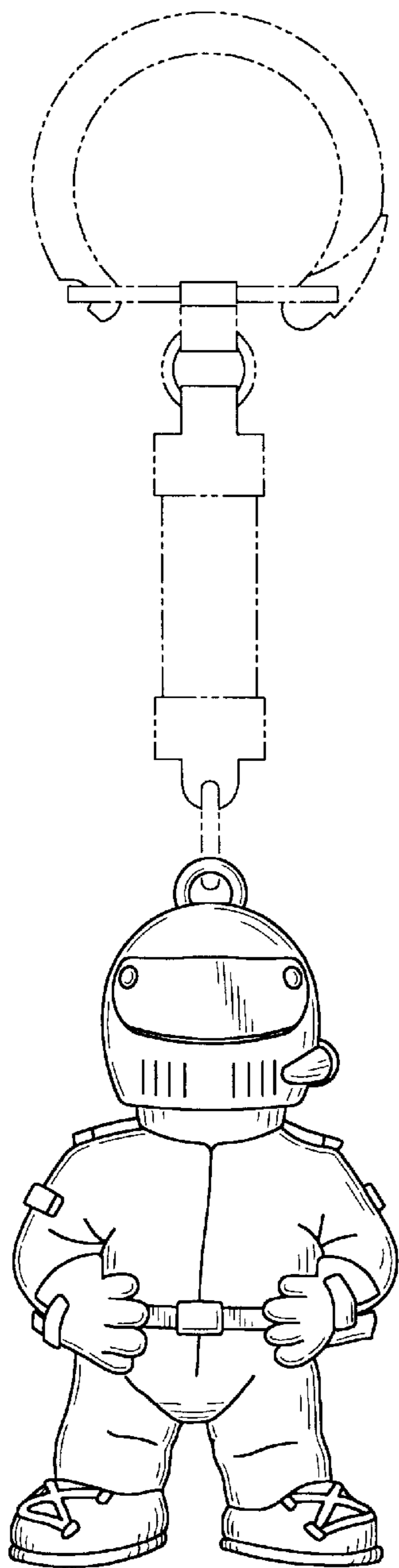


FIG-2

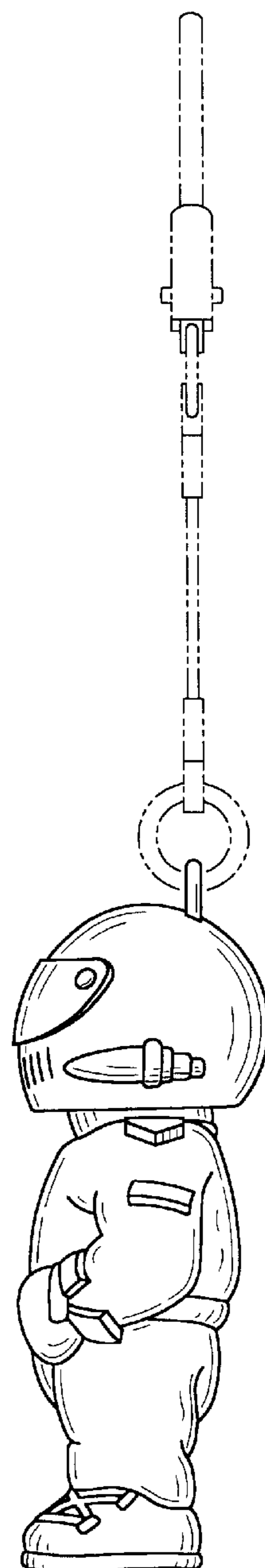


FIG-3

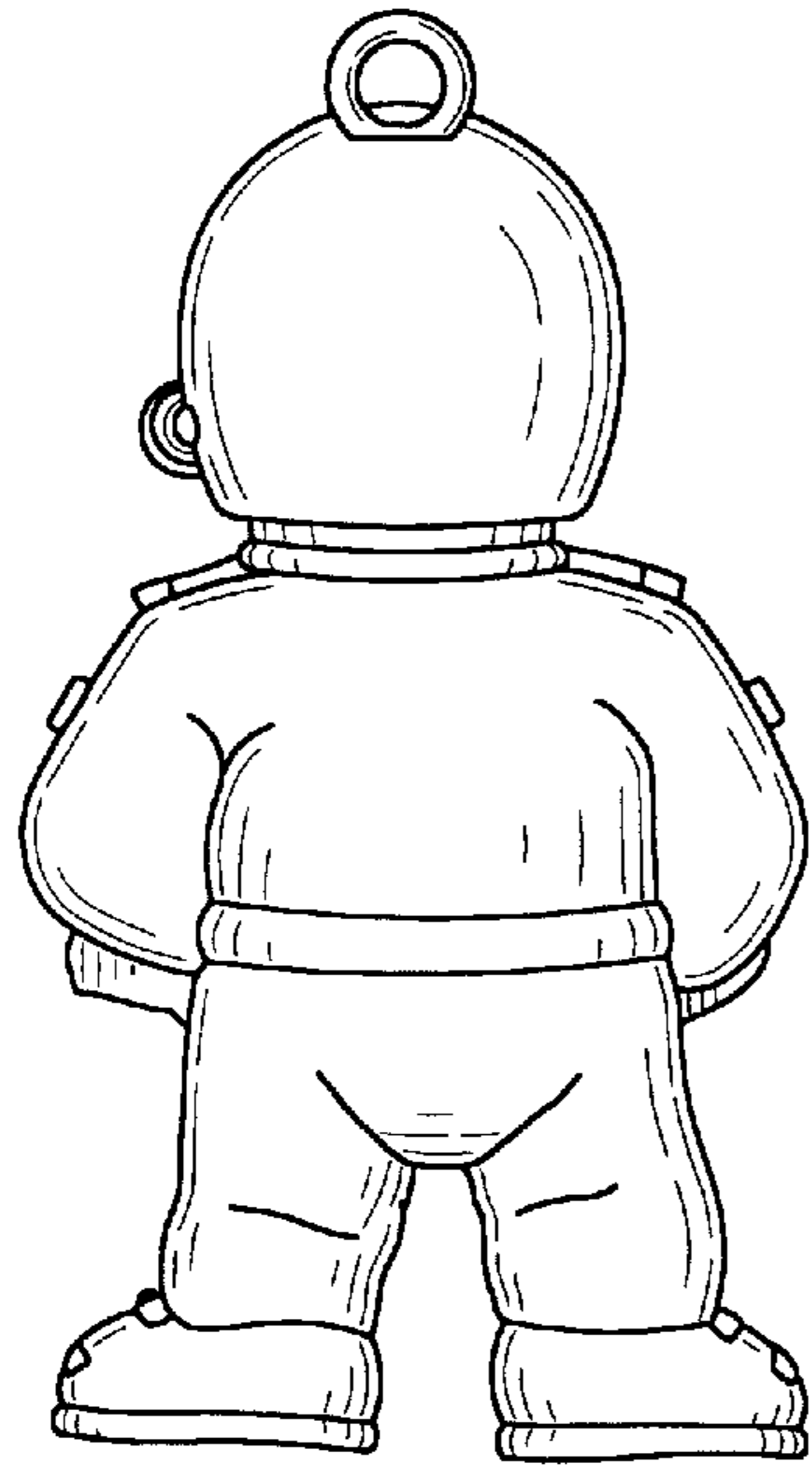


FIG-4

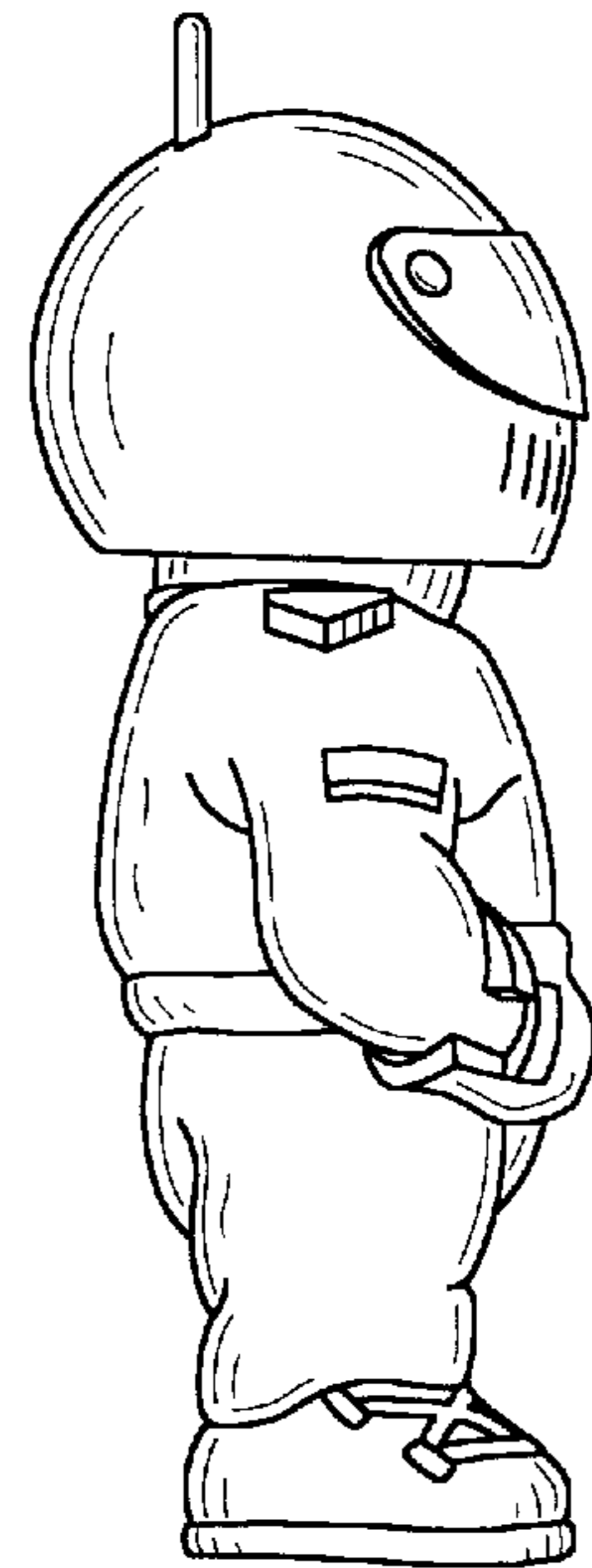


FIG-5

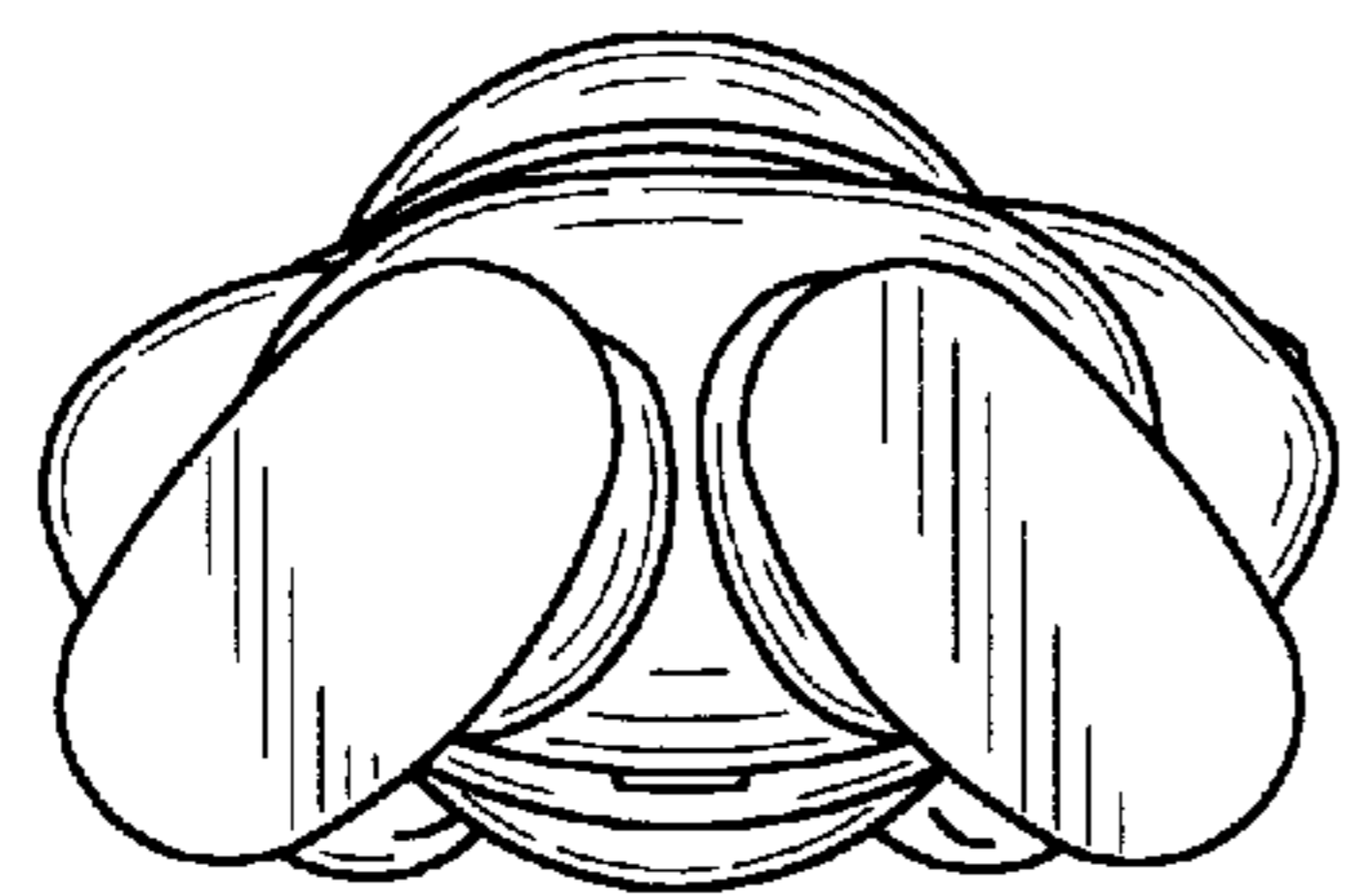


FIG-6