



US00D398774S

United States Patent [19]
Yu

[11] **Patent Number: Des. 398,774**

[45] **Date of Patent: **Sep. 29, 1998**

[54] **KEY CHAIN LIGHT**

[76] Inventor: **Sun Yu**, 2850 Coolidge Hwy., Berkley, Mich. 48072-1559

[**] Term: **14 Years**

[21] Appl. No.: **76,559**

[22] Filed: **Sep. 10, 1997**

[51] **LOC (6) Cl. 03-01**

[52] **U.S. Cl. D3/209**

[58] **Field of Search D3/207-212; D10/2; 40/330**

[56] **References Cited**

U.S. PATENT DOCUMENTS

- D. 348,773 7/1994 Kutzera D3/207
- D. 380,896 7/1997 Grant D3/208

Primary Examiner—Ralf Seifert
Attorney, Agent, or Firm—Gifford, Krass, Groh, Sprinkle, Patmore, Anderson & Citkowski, P.C.

[57] **CLAIM**

The ornamental design for a key chain light, as shown and described.

DESCRIPTION

FIG. 1 is a perspective view of a key chain light showing my new design;

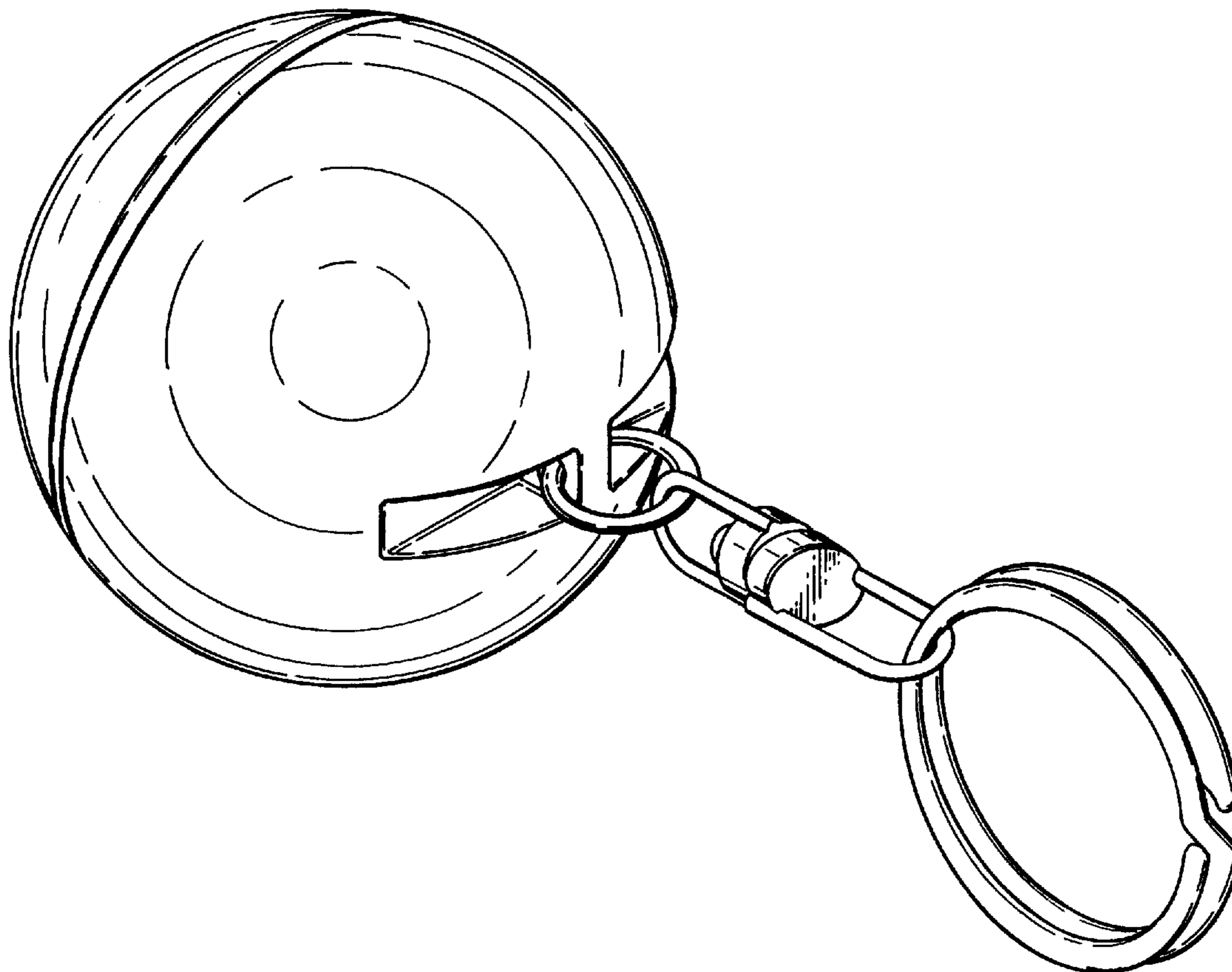
FIG. 2 is a top elevational view thereof;

FIG. 3 is a rear view;

FIG. 4 is a side view, the opposite side being a mirror image thereof; and,

FIG. 5 is a front view.

1 Claim, 2 Drawing Sheets



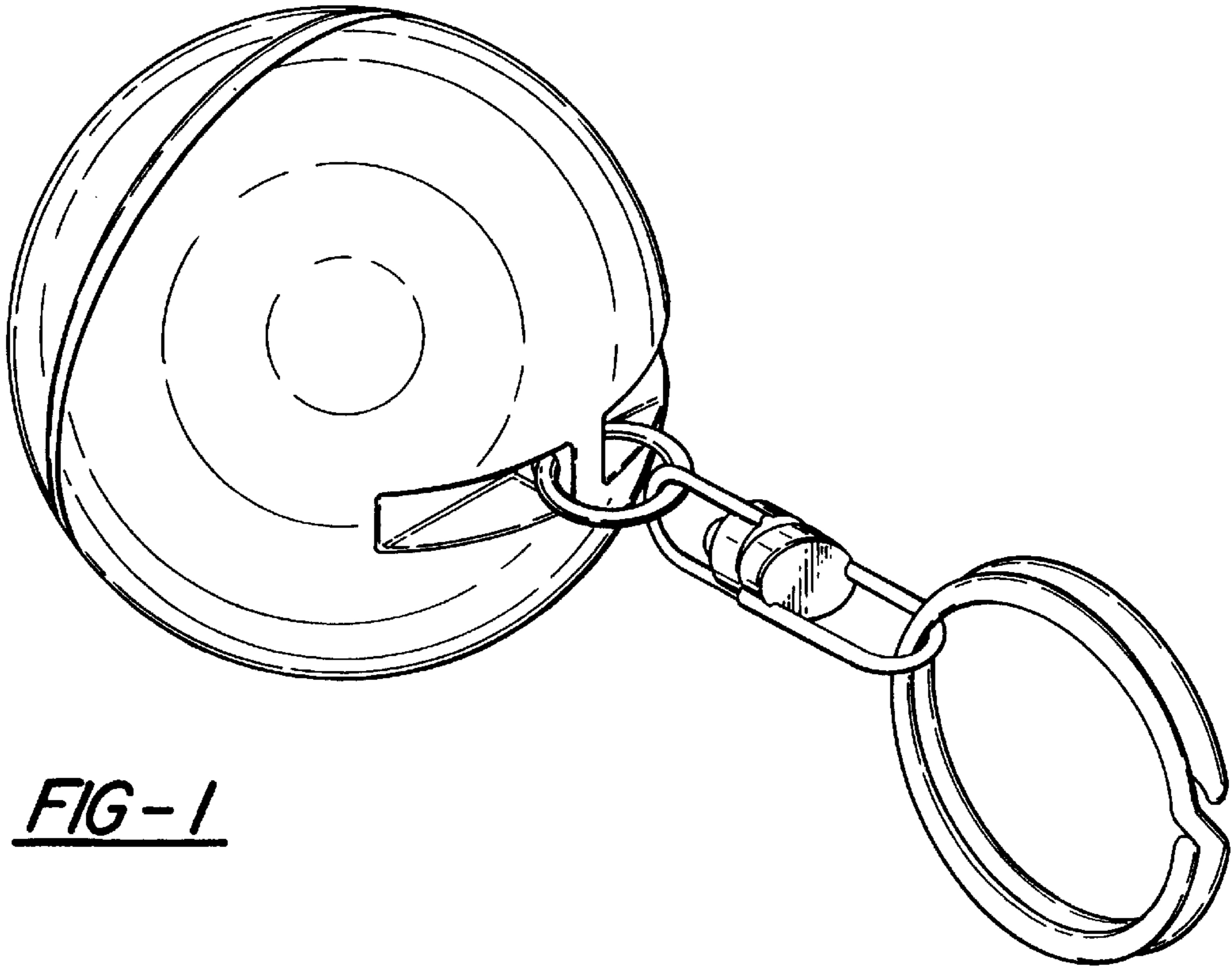


FIG-1

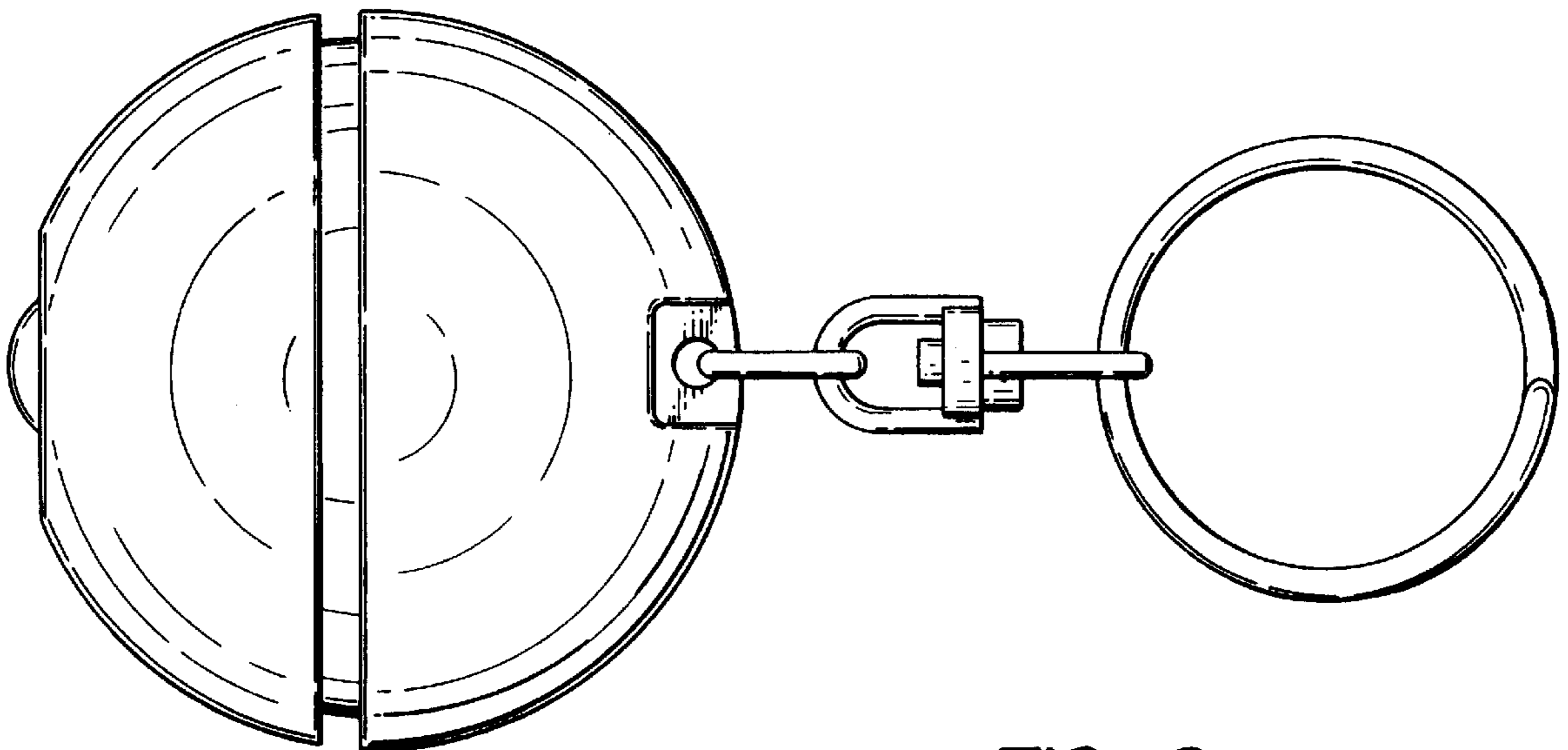


FIG-2

FIG-3

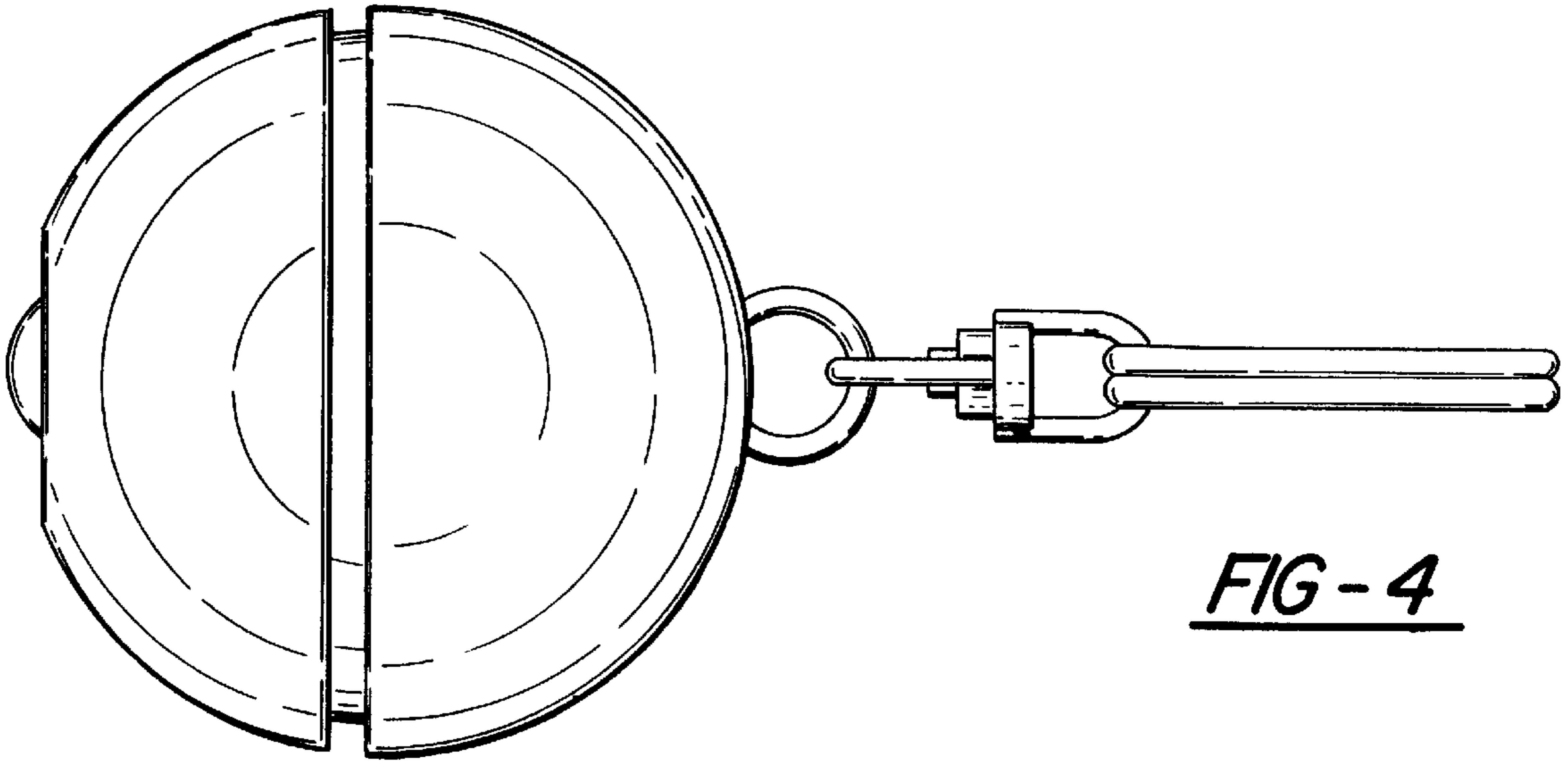
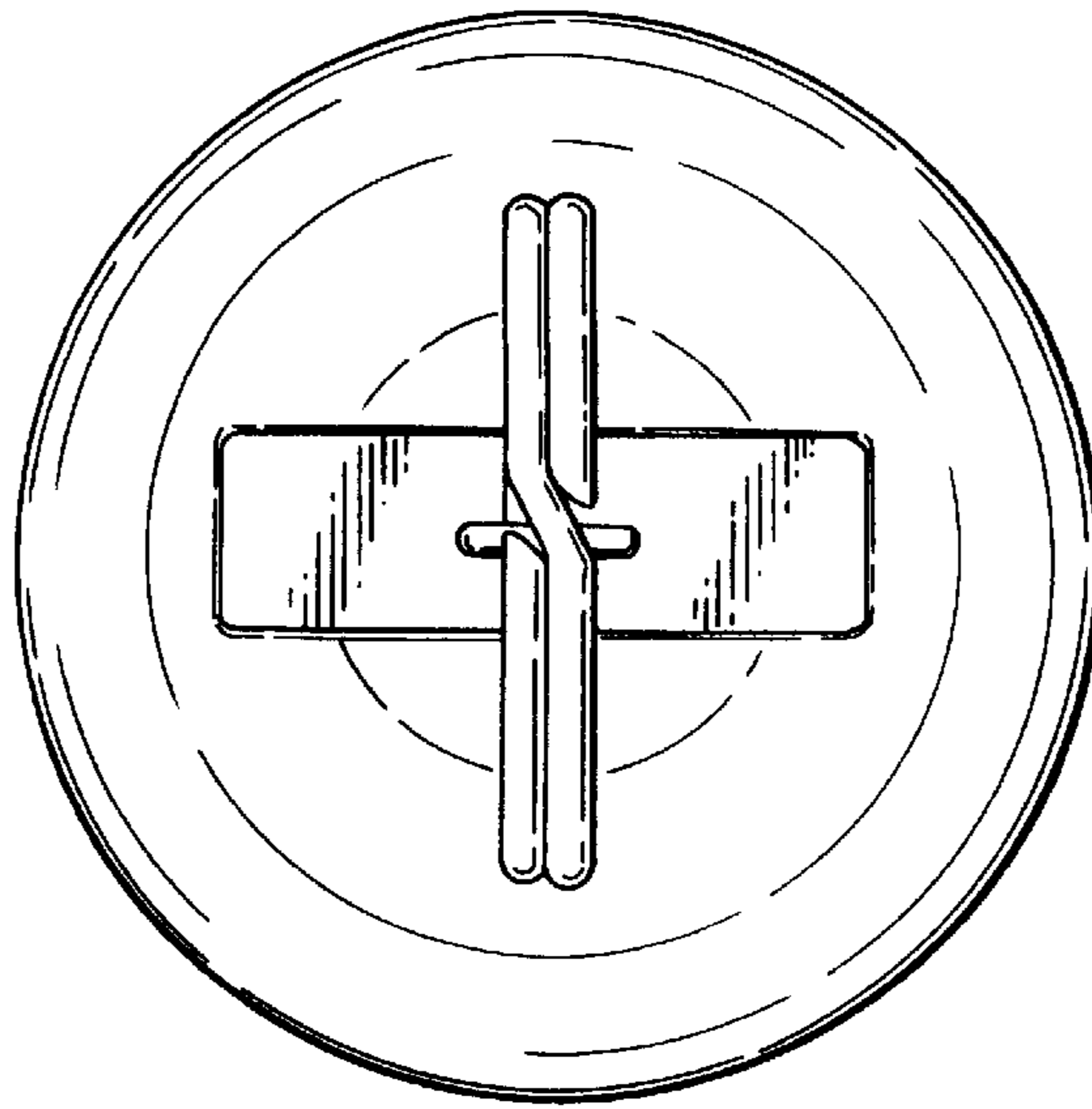


FIG-4

FIG-5

