



US00D398734S

United States Patent [19] Rutledge

[11] **Patent Number: Des. 398,734**

[45] **Date of Patent: ***Sep. 22, 1998**

[54] **KIOSK**

[75] Inventor: **Durward E. Rutledge**, Richardson, Tex.

[73] Assignee: **Project Automation, LLC**, Irving, Tex.

[*] Notice: The term of this patent shall not extend beyond the expiration date of Pat. No. D. 395,128.

[**] Term: **14 Years**

[21] Appl. No.: **69,488**

[22] Filed: **Apr. 21, 1997**

[51] **LOC (6) Cl.** **25-03**

[52] **U.S. Cl.** **D99/28**

[58] **Field of Search** D99/28; D20/1-8; D25/16; D14/100, 102, 103, 105, 106, 109, 130, 146; 235/379, 380, 381; 109/24.1, 29; 232/10

[56] **References Cited**

U.S. PATENT DOCUMENTS

- D. 276,626 12/1984 Lockwood D20/2
- D. 318,553 7/1991 Brown D99/28

- D. 348,263 6/1994 Veeneman D99/28 X
- D. 357,109 4/1995 Veeneman D99/28
- D. 380,739 7/1997 Senturia et al. D14/103
- 4,174,594 11/1979 Panzini D25/16
- 4,818,854 4/1989 Davies et al. 235/381
- 4,902,881 2/1990 Janku 235/380 X

Primary Examiner—Paula A. Mortimer
Attorney, Agent, or Firm—Max Ciccarelli

[57] **CLAIM**

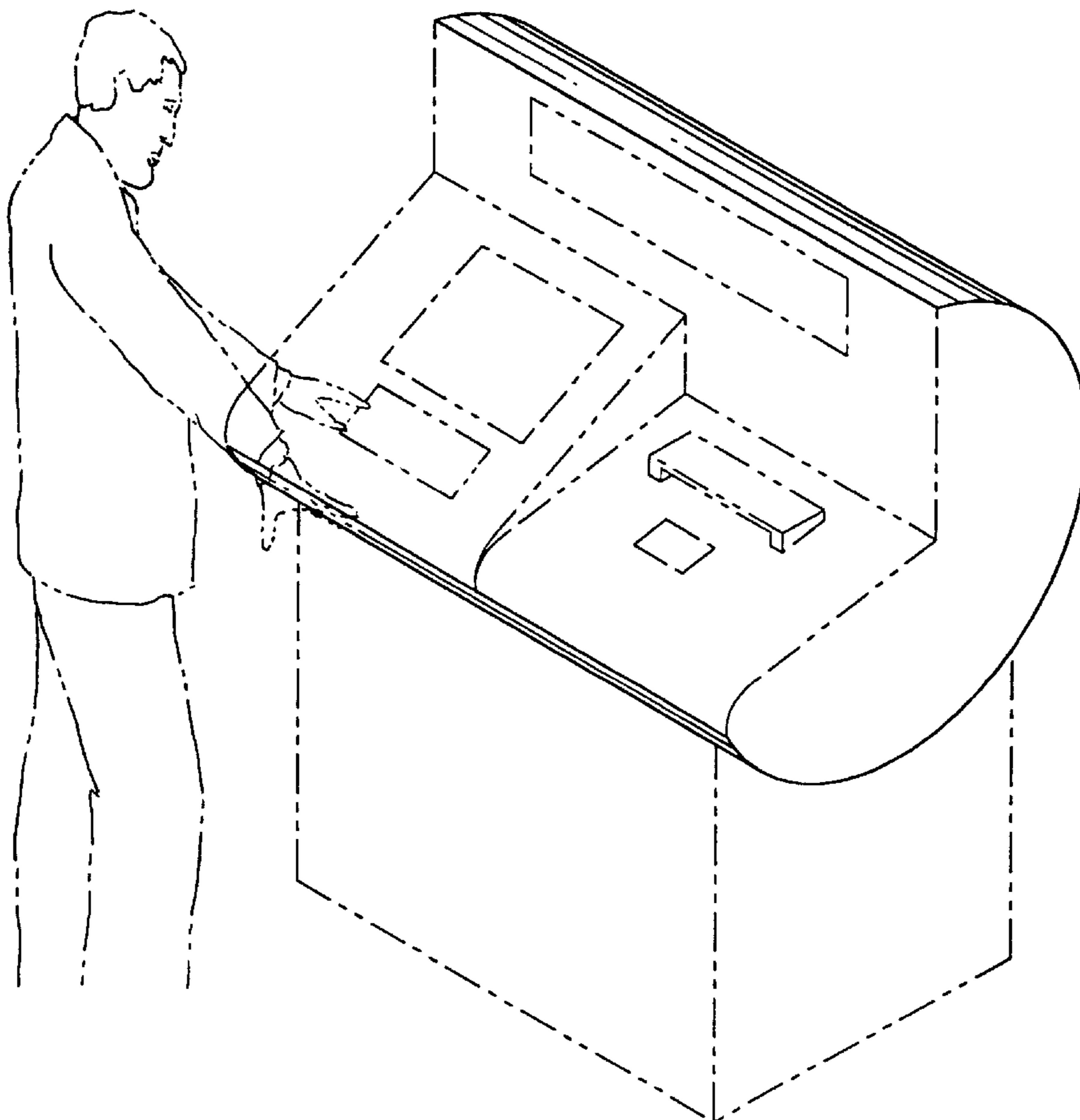
The ornamental design for a kiosk, as shown and described.

DESCRIPTION

FIG. 1 is a front elevational view of a kiosk showing my new design;
FIG. 2 is a right side elevational view thereof;
FIG. 3 is a left side elevational view thereof;
FIG. 4 is a rear elevational view thereof;
FIG. 5 is a top plan view thereof;
FIG. 6 is a bottom plan view thereof; and,
FIG. 7 is a front perspective view thereof.

The broken line showing of the front surfaces, control panels, screen, and dispenser is for illustrative purposes only and forms no part of the claimed design; however the broken lines which surround the edge of the base in FIGS. 1, 4, and 6 define the bounds of the claim but form no part thereof.

1 Claim, 3 Drawing Sheets



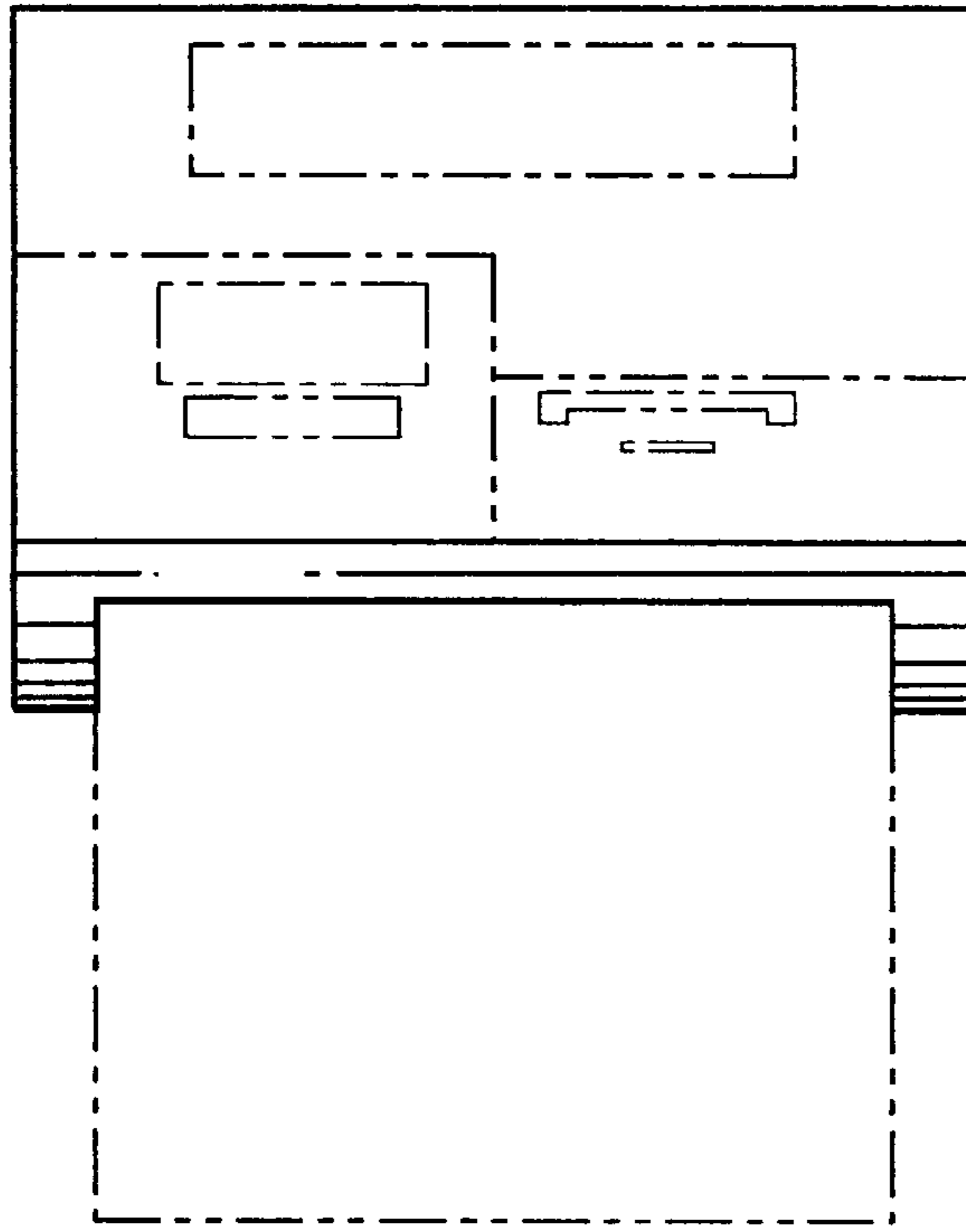


Fig. 1

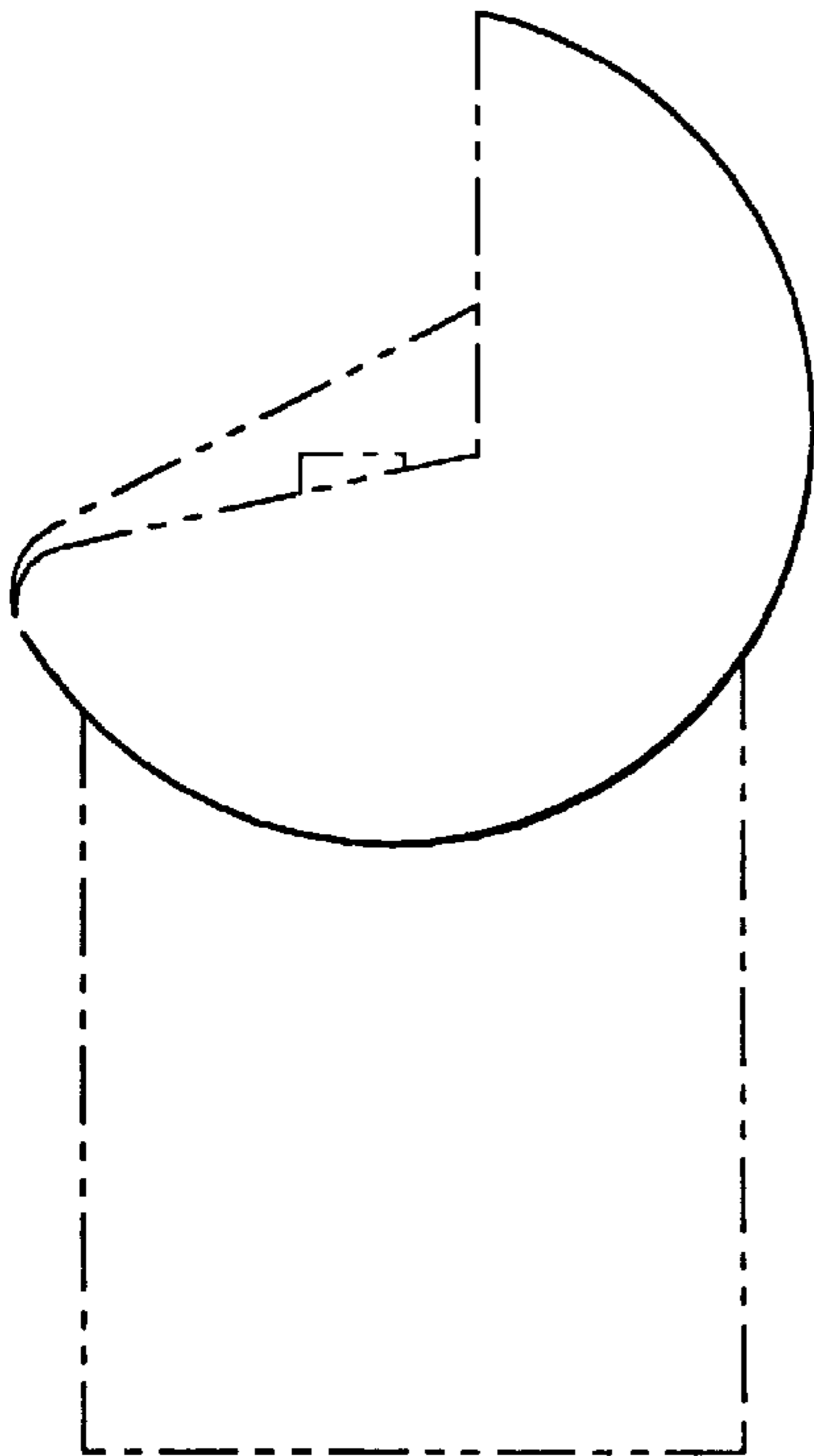


Fig. 2

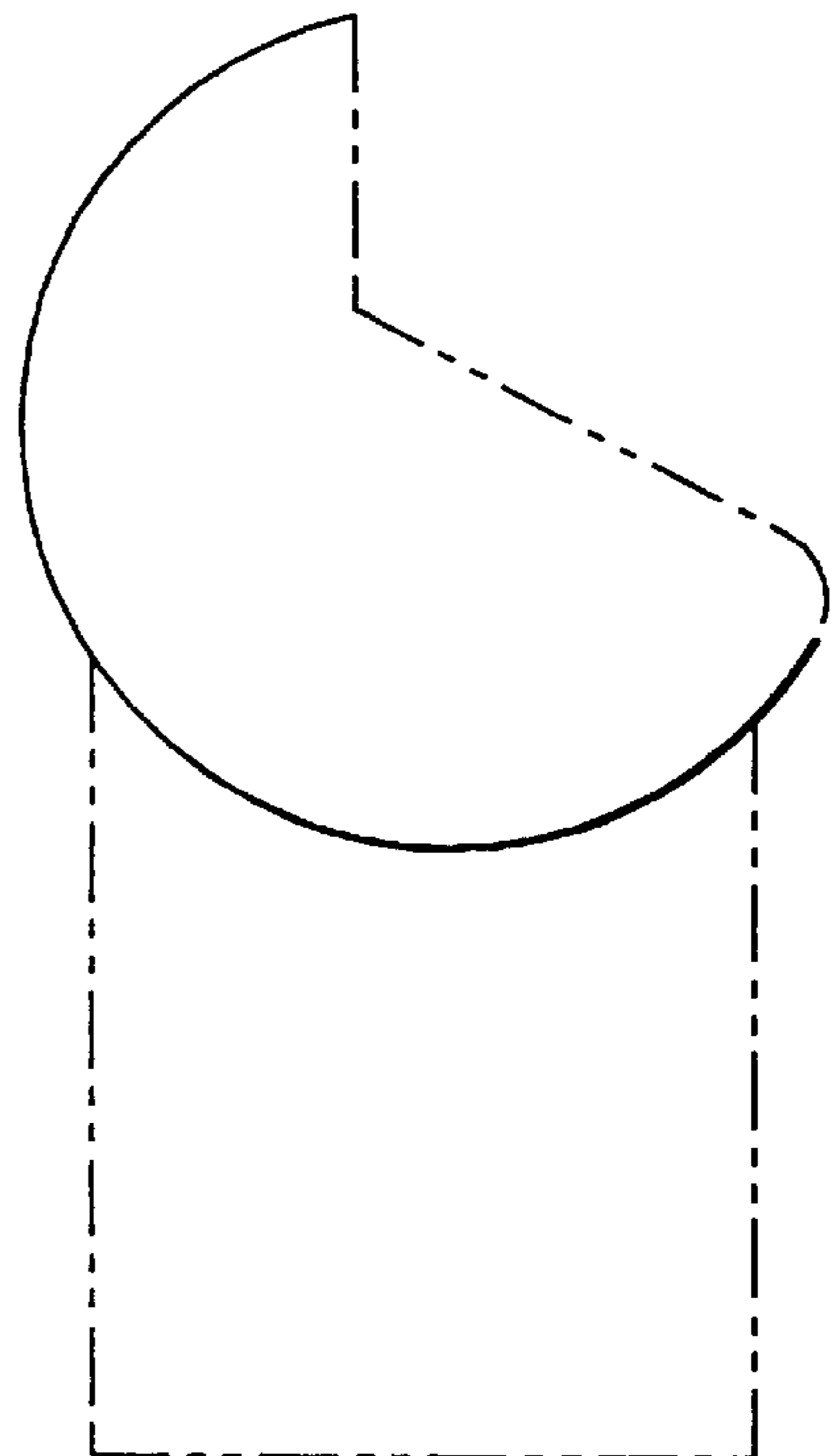


Fig. 3

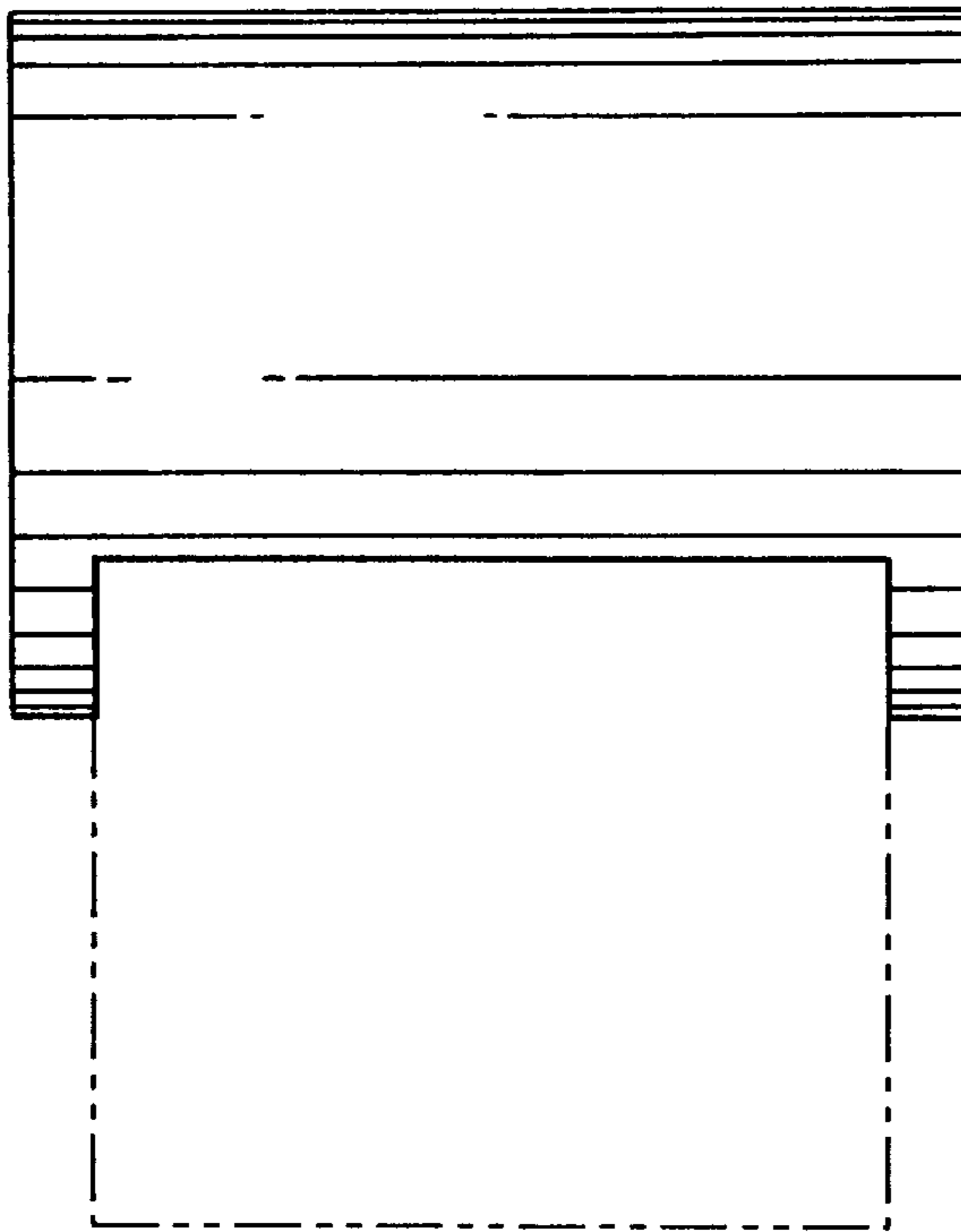


Fig. 4

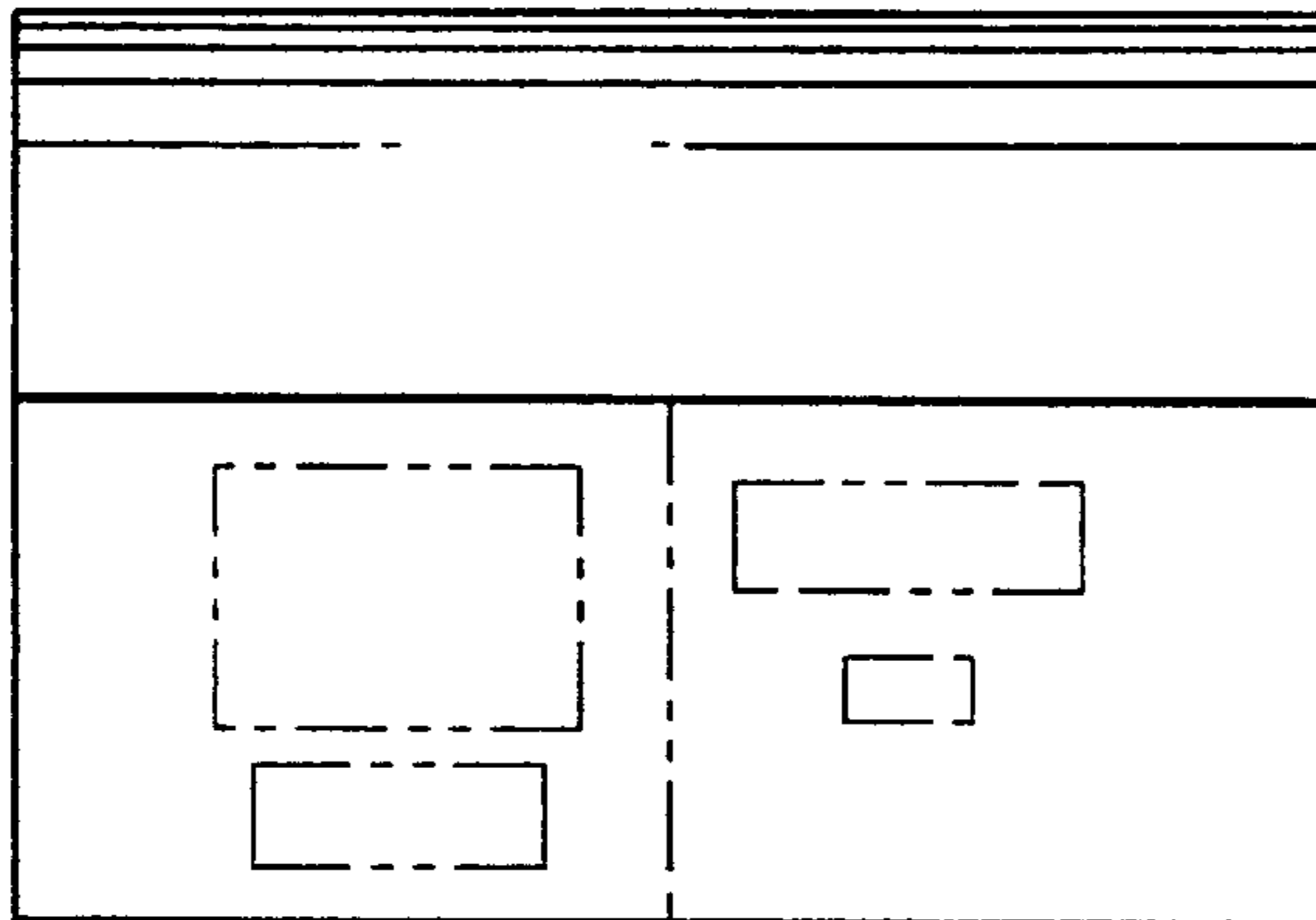


Fig. 5

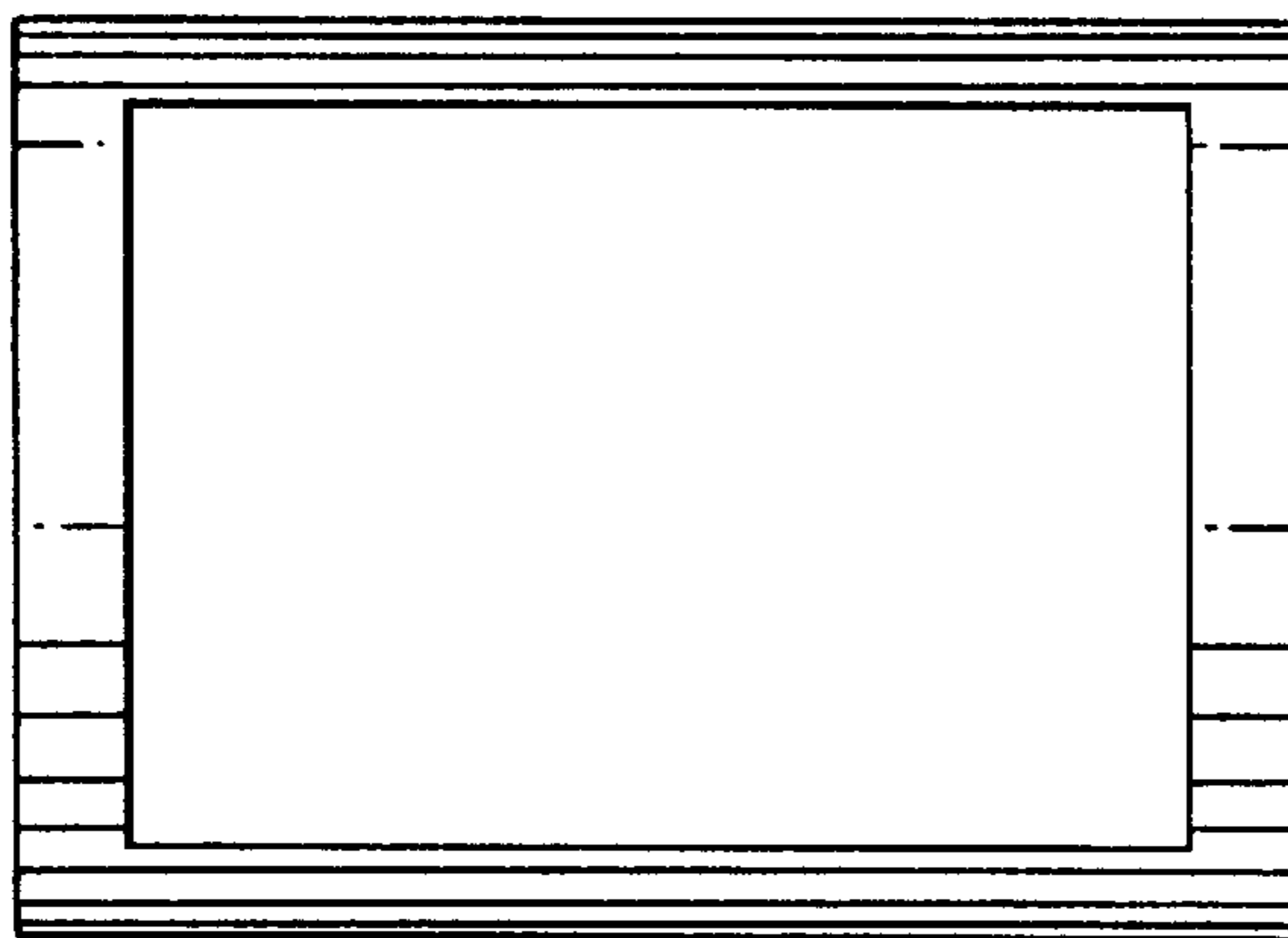


Fig. 6

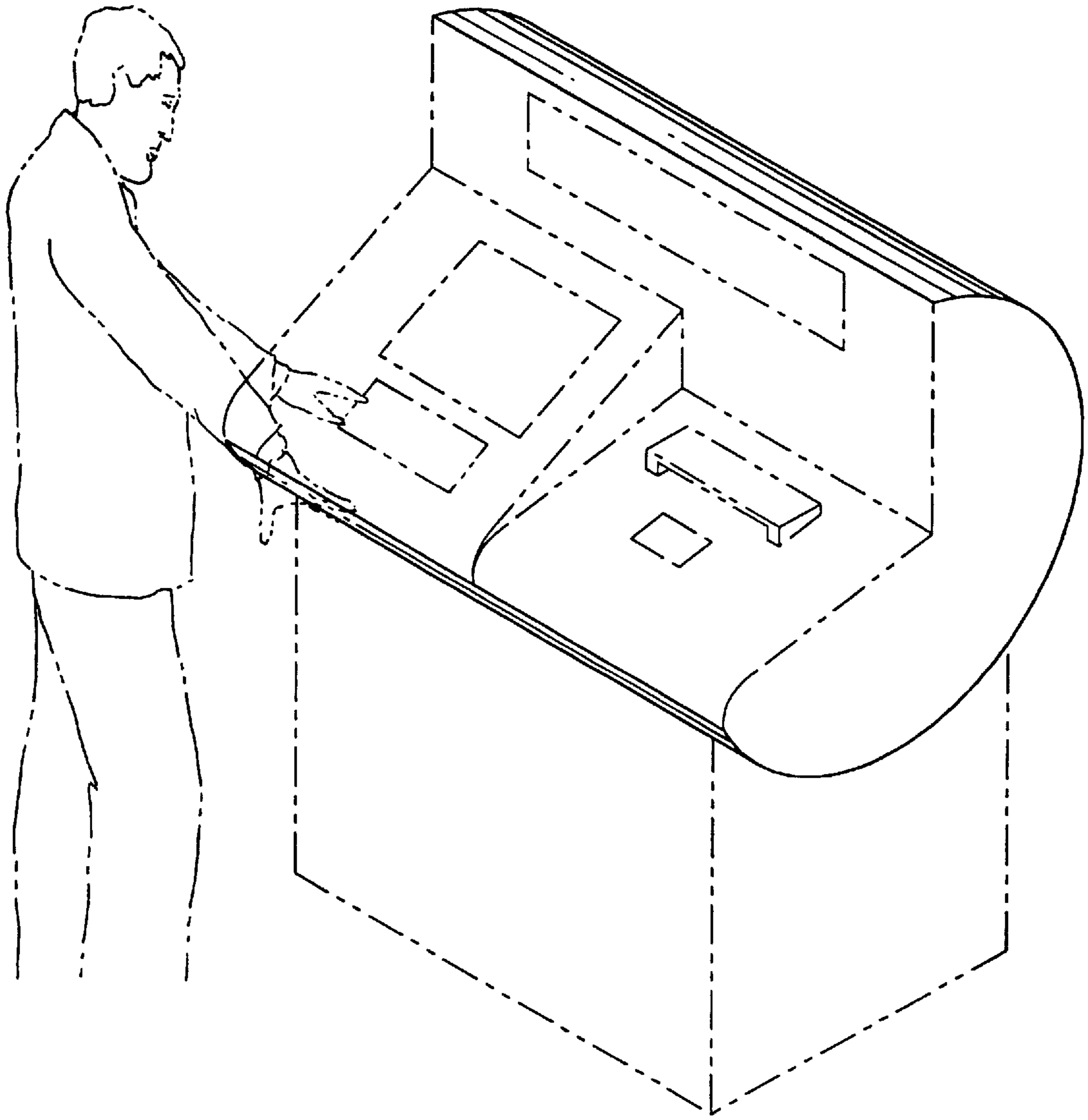


Fig. 7