



US00D398732S

# United States Patent [19]

[11] **Patent Number: Des. 398,732**

**Pigott et al.**

[45] **Date of Patent: \*\*Sep. 22, 1998**

[54] **CONNECTOR ATTACHMENT FOR A PALLET ASSEMBLY**

4,382,414	5/1983	Svirklys .....	403/406.1
4,604,014	8/1986	Frano .....	108/56.6
5,000,607	3/1991	Parlatore et al. ....	403/405.1
5,351,628	10/1994	Breezer et al. ....	108/51.1

[75] Inventors: **Brandon L. Pigott**, Wilmette; **Schuyler F. Pigott**, Arlington Heights; **Peter S. Pigott**, Wilmette; **Maurice J. Pigott**, Winnetka, all of Ill.

*Primary Examiner*—Doris Clark  
*Attorney, Agent, or Firm*—Wallenstein & Wagner, Ltd.

[73] Assignee: **Nucon Corporation**, Deerfield, Ill.

[\*\*] Term: **14 Years**

[57] **CLAIM**

We claim the ornamental design for a connector attachment for a pallet assembly, as shown and described.

[21] Appl. No.: **77,642**

[22] Filed: **Sep. 30, 1997**

**DESCRIPTION**

**Related U.S. Application Data**

[63] Continuation of Ser. No. 68,916, Apr. 7, 1997, abandoned.

[51] **LOC (6) Cl.** ..... **09-08**

[52] **U.S. Cl.** ..... **D34/38**

[58] **Field of Search** ..... D34/38; 108/56.3, 108/53.5, 56.1, 53.3, 53.1, 51.1, 901; 403/275, 274, 277, 280, 405.1, 406.1

FIG. 1 is a perspective top view of a connector attachment for a pallet assembly showing our new design; FIG. 2 is a top plan view of the connector attachment for a pallet assembly with the bottom plan view being a mirror image thereof; FIG. 3 is a front elevation view of the connector attachment for a pallet assembly; FIG. 4 is a rear elevation view of the connector attachment for a pallet assembly; and, FIG. 5 is a right side elevation view of the connector attachment for a pallet assembly with the left side elevation view being a mirror image thereof. The broken lines disclosing a connector is for illustrative purposes only and forms no part of the claimed design.

[56] **References Cited**

**U.S. PATENT DOCUMENTS**

D. 354,606 1/1995 Pigott et al. .... D34/38

**1 Claim, 2 Drawing Sheets**

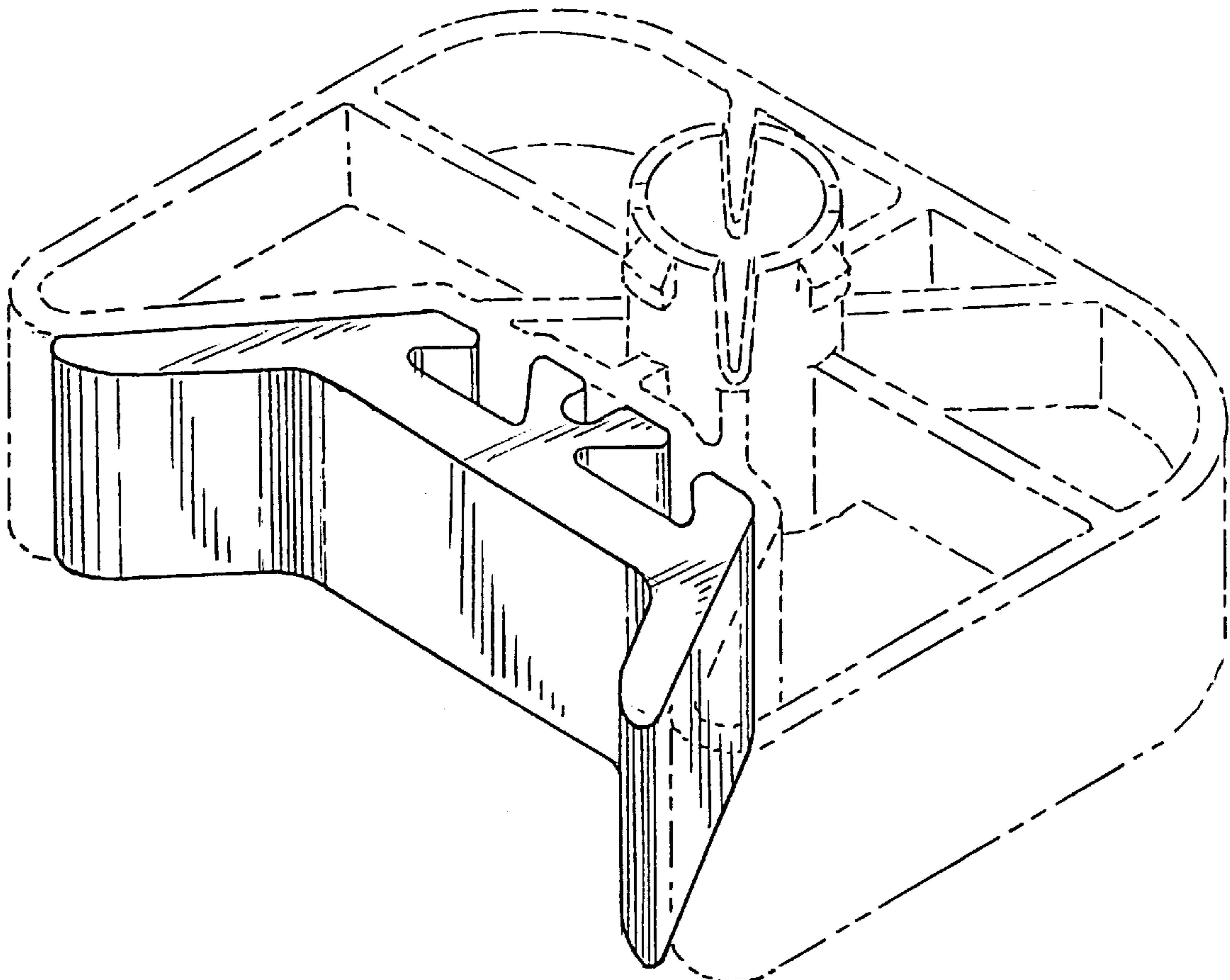


FIG. 1

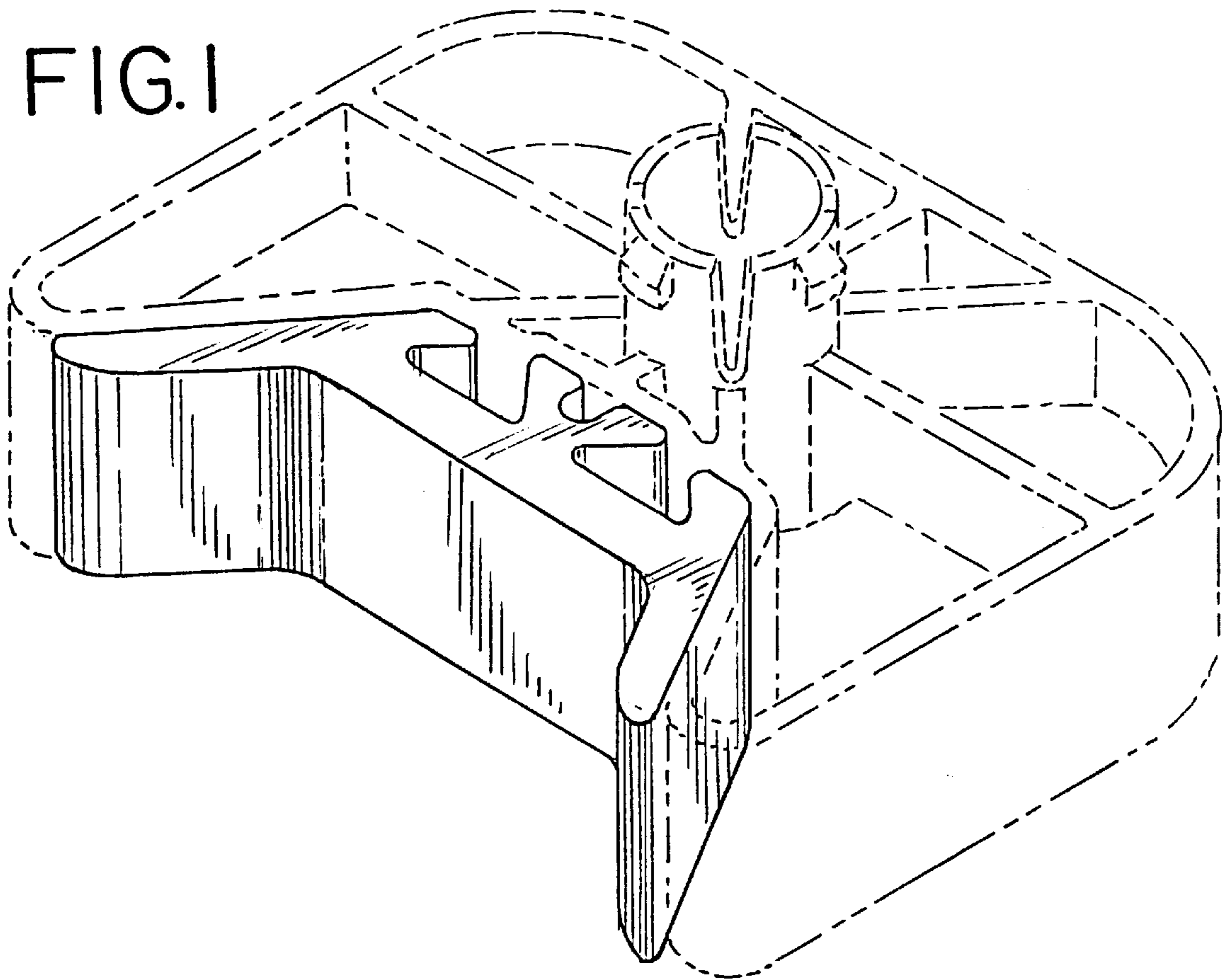


FIG. 2

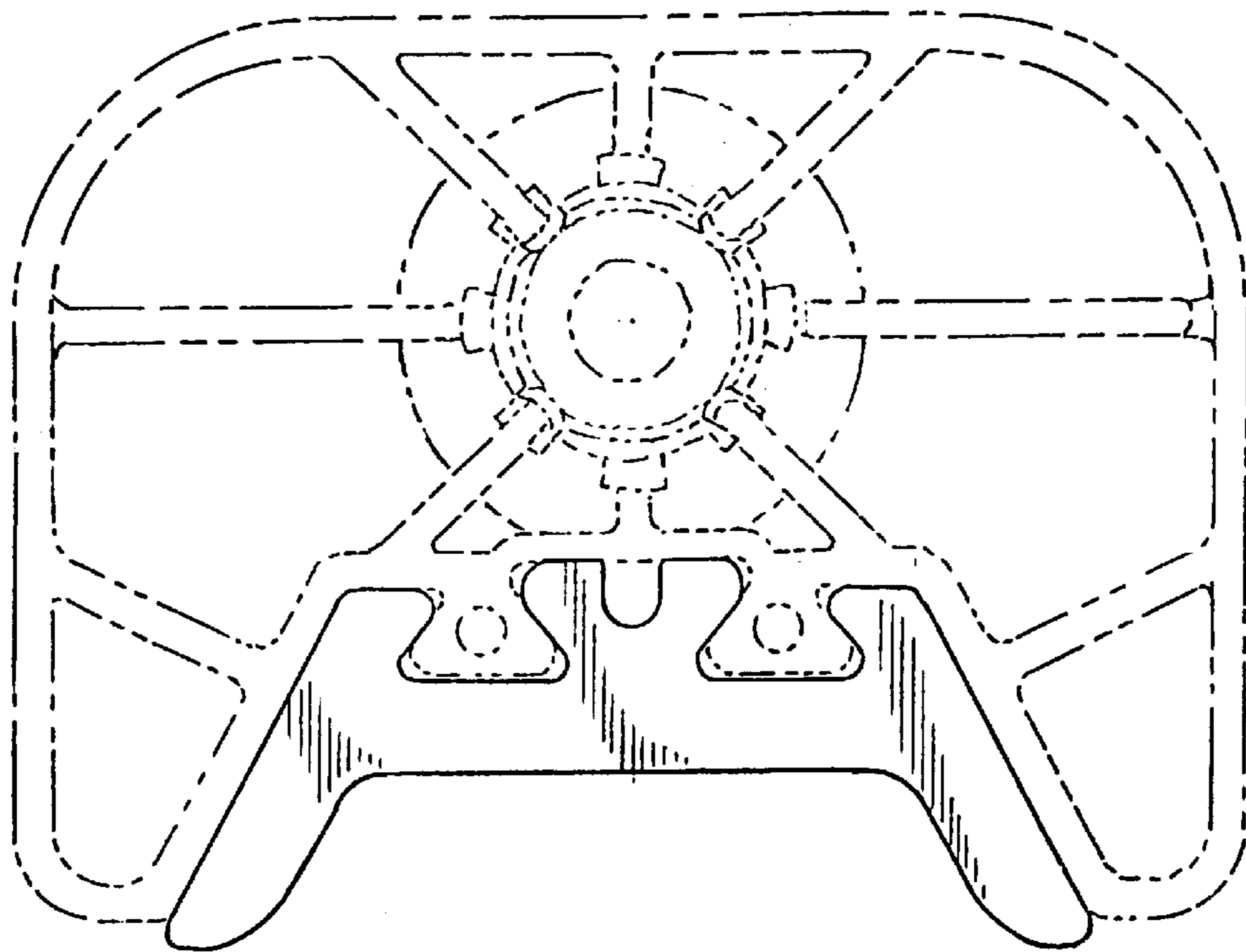


FIG. 3

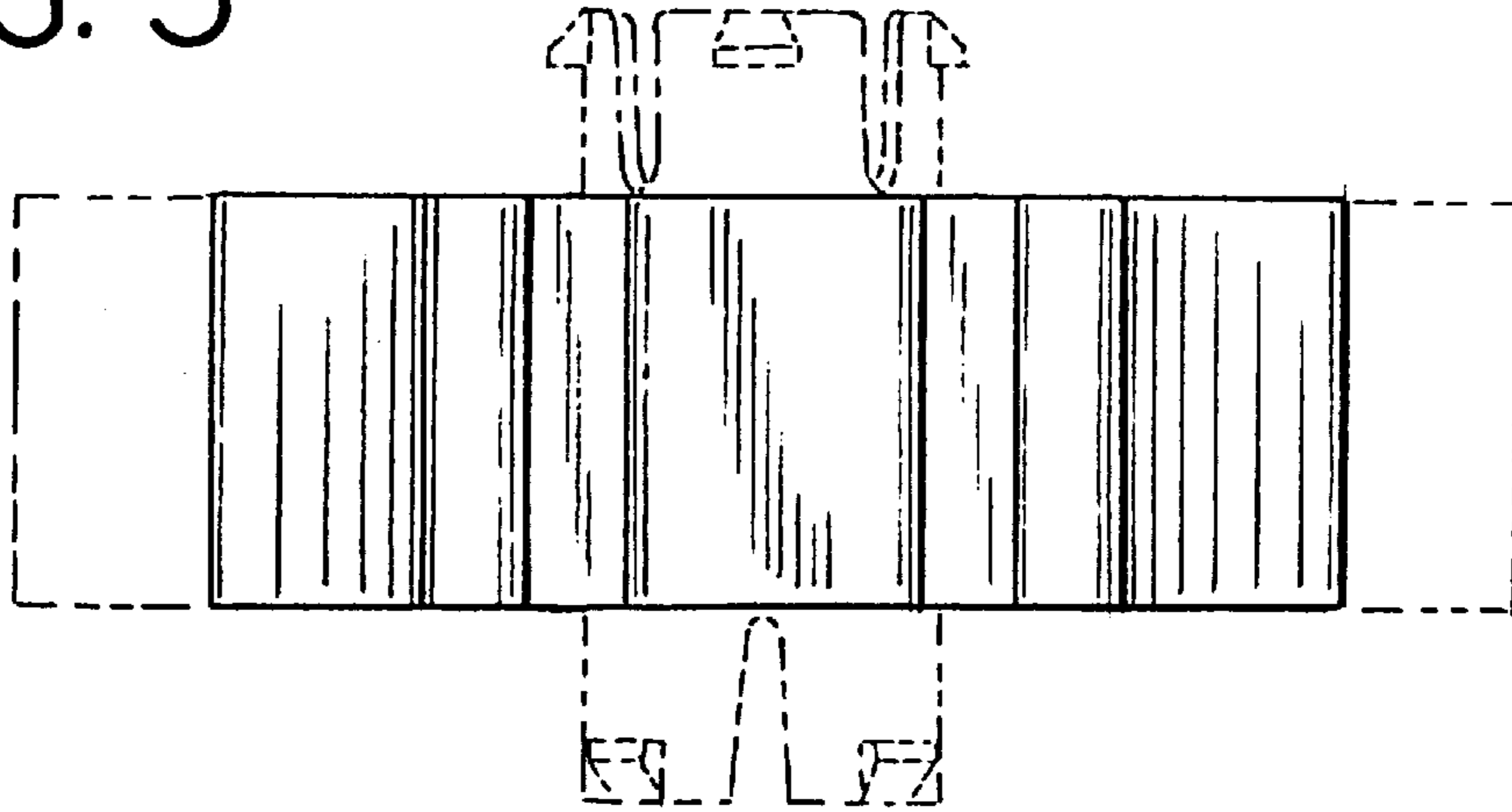


FIG. 4

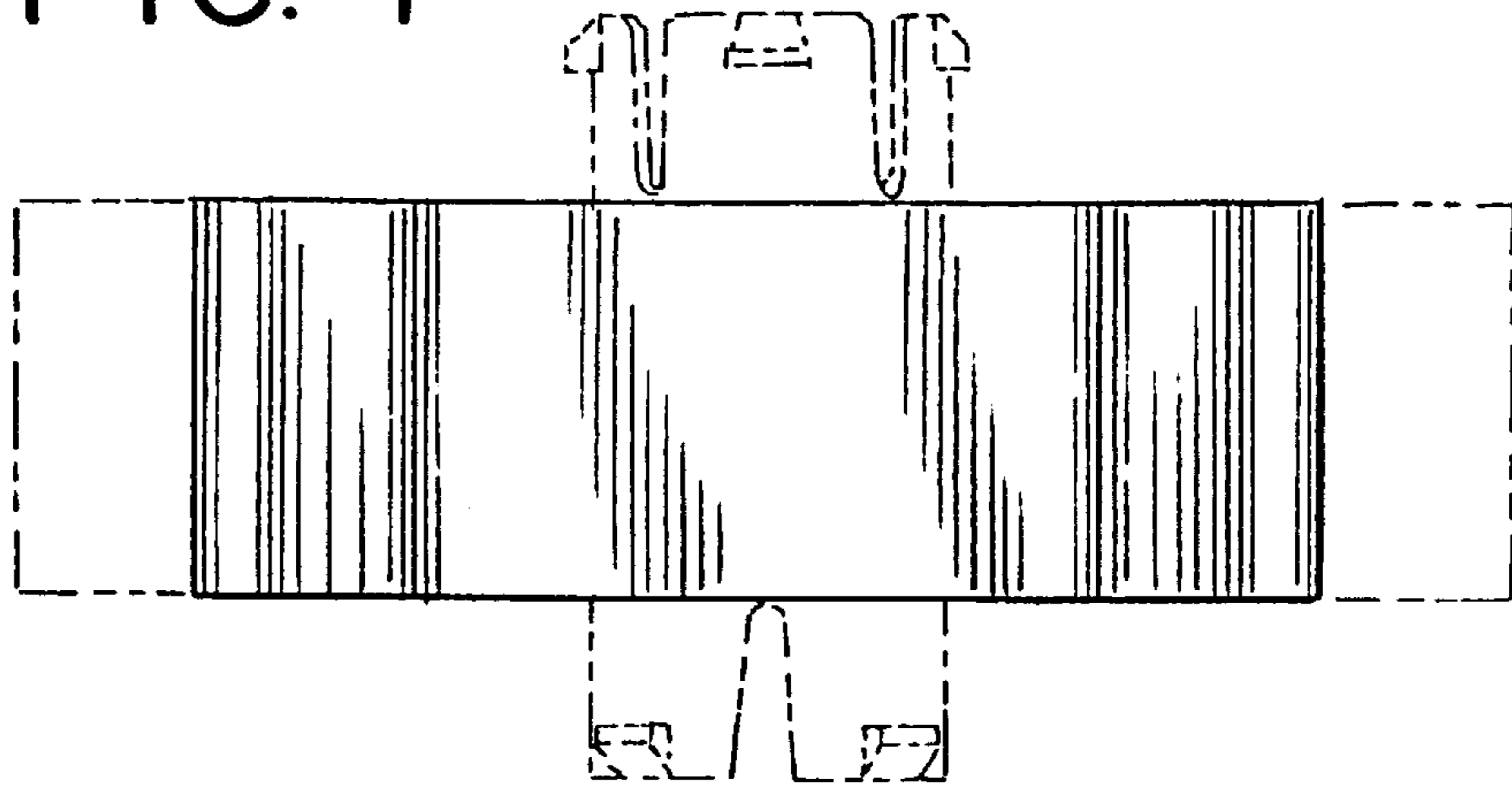


FIG. 5

