



US00D398731S

United States Patent [19]

[11] **Patent Number: Des. 398,731**

Pigott et al.

[45] **Date of Patent: **Sep. 22, 1998**

[54] **CONNECTOR FOR A PALLET ASSEMBLY**

4,604,014	8/1986	Frano	108/56.3
4,843,976	7/1989	Pigott et al.	108/56.1
5,351,628	10/1994	Breezer et al.	108/51.1

[75] Inventors: **Brandon L. Pigott**, Wilmette; **Schuyler F. Pigott**, Arlington Heights; **Peter S. Pigott**, Wilmette; **Maurice J. Pigott**, Winnetka, all of Ill.

Primary Examiner—Doris Clark
Attorney, Agent, or Firm—Wallenstein & Wagner, Ltd.

[73] Assignee: **Nucon Corporation**, Deerfield, Ill.

[57] **CLAIM**

[**] Term: **14 Years**

We claim the ornamental design for a connector for a pallet assembly, as shown and described.

[21] Appl. No.: **77,596**

DESCRIPTION

[22] Filed: **Sep. 30, 1997**

Related U.S. Application Data

FIG. 1 is a perspective top view of a connector for a pallet assembly showing our new design;
FIG. 2 is a top plan view of the connector for a pallet assembly;
FIG. 3 is a front elevation view of the connector for a pallet assembly;
FIG. 4 is a rear elevation view of the connector for a pallet assembly;
FIG. 5 is a right side elevation view of the connector for a pallet assembly with the left side elevation view being a mirror image thereof; and,
FIG. 6 is a bottom plan view of the connector for a pallet assembly.

[63] Continuation of Ser. No. 67,401, Feb. 28, 1997, abandoned.

[51] **LOC (6) Cl.** **09-08**

[52] **U.S. Cl.** **D34/38**

[58] **Field of Search** D34/38; 108/56.3, 108/53.5, 56.1, 53.3, 51.1, 901

[56] **References Cited**

U.S. PATENT DOCUMENTS

D. 354,606	1/1995	Pigott et al.	D34/38
D. 378,458	3/1997	Pigott et al.	108/56.1

1 Claim, 3 Drawing Sheets

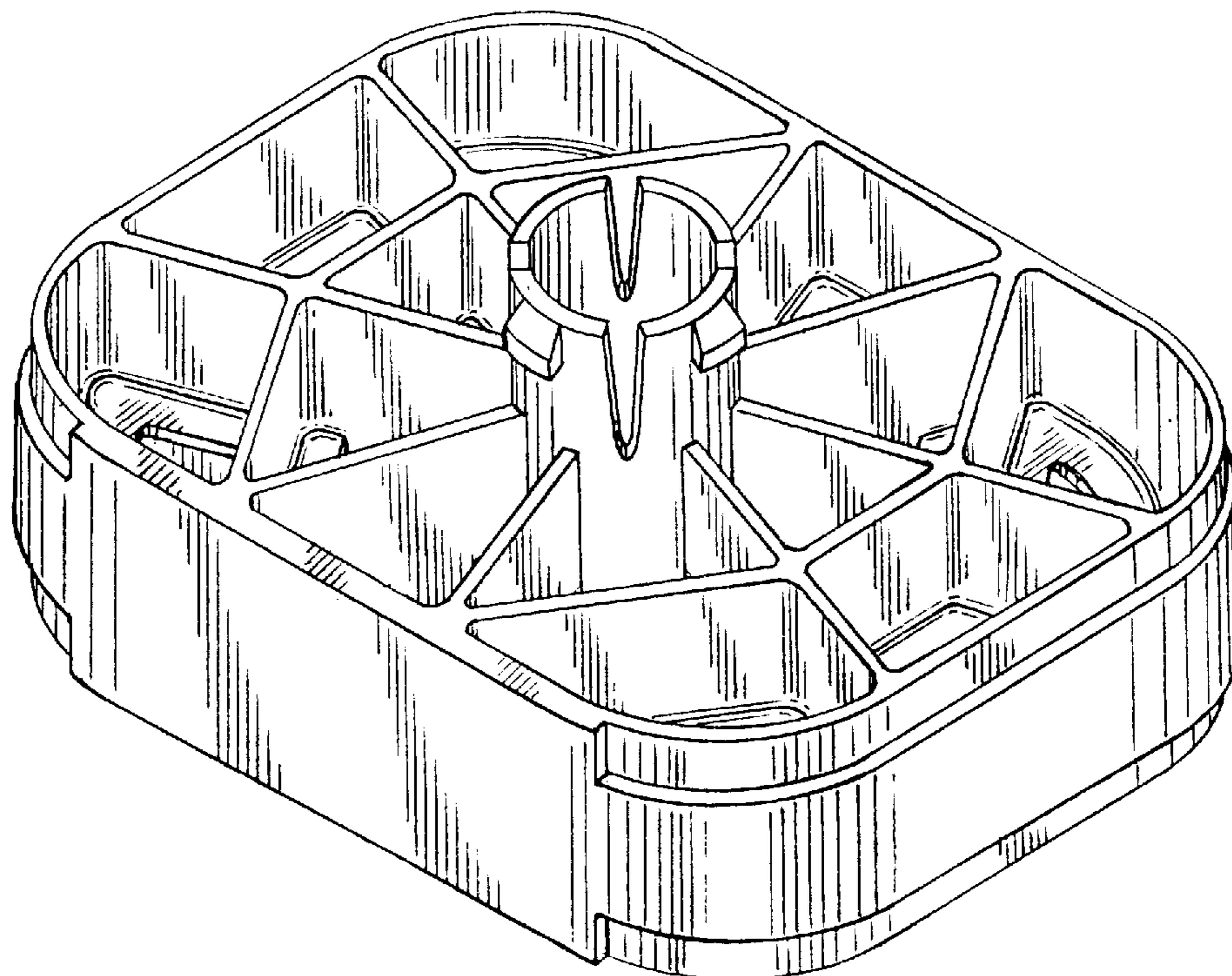


FIG. 1

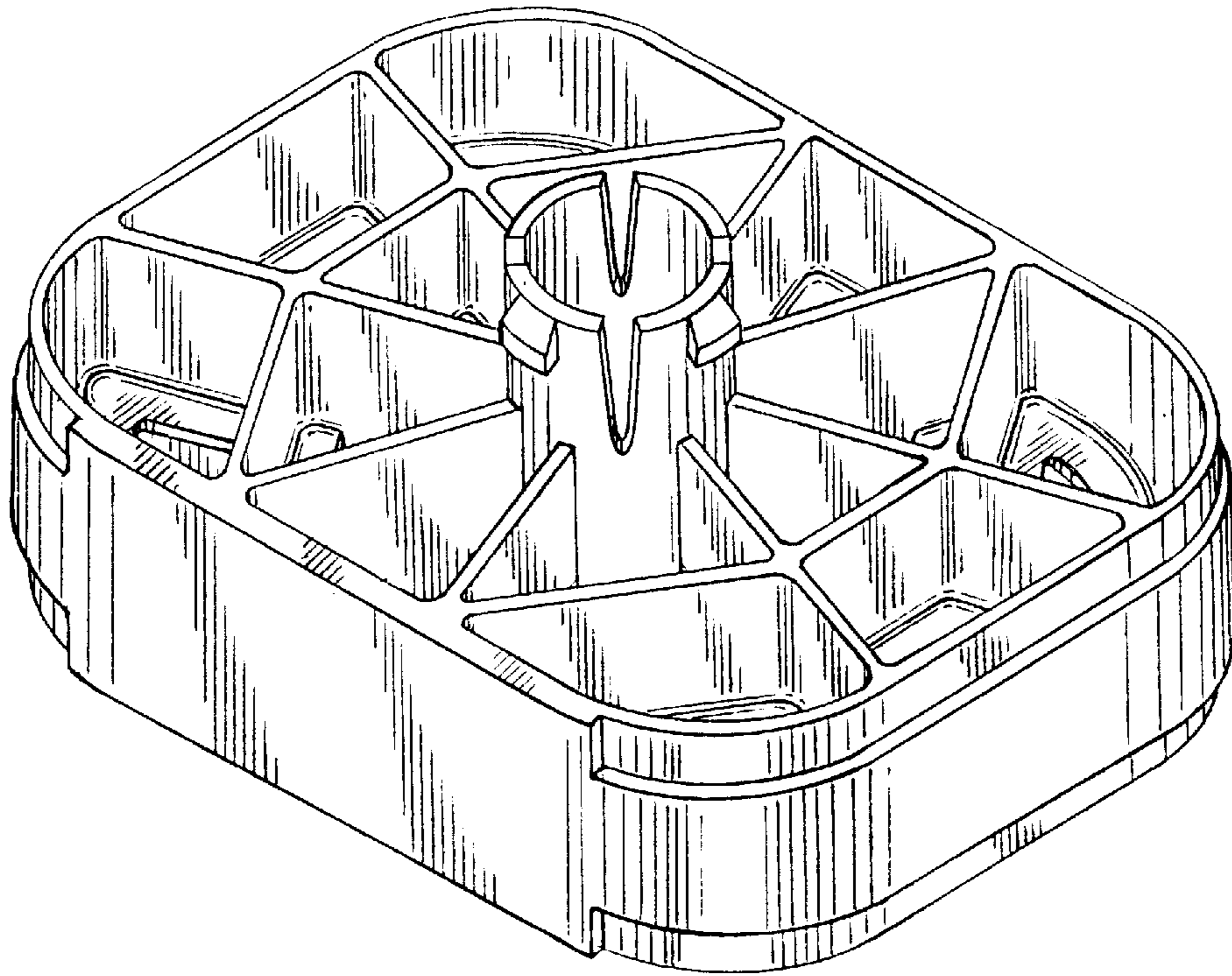


FIG. 2

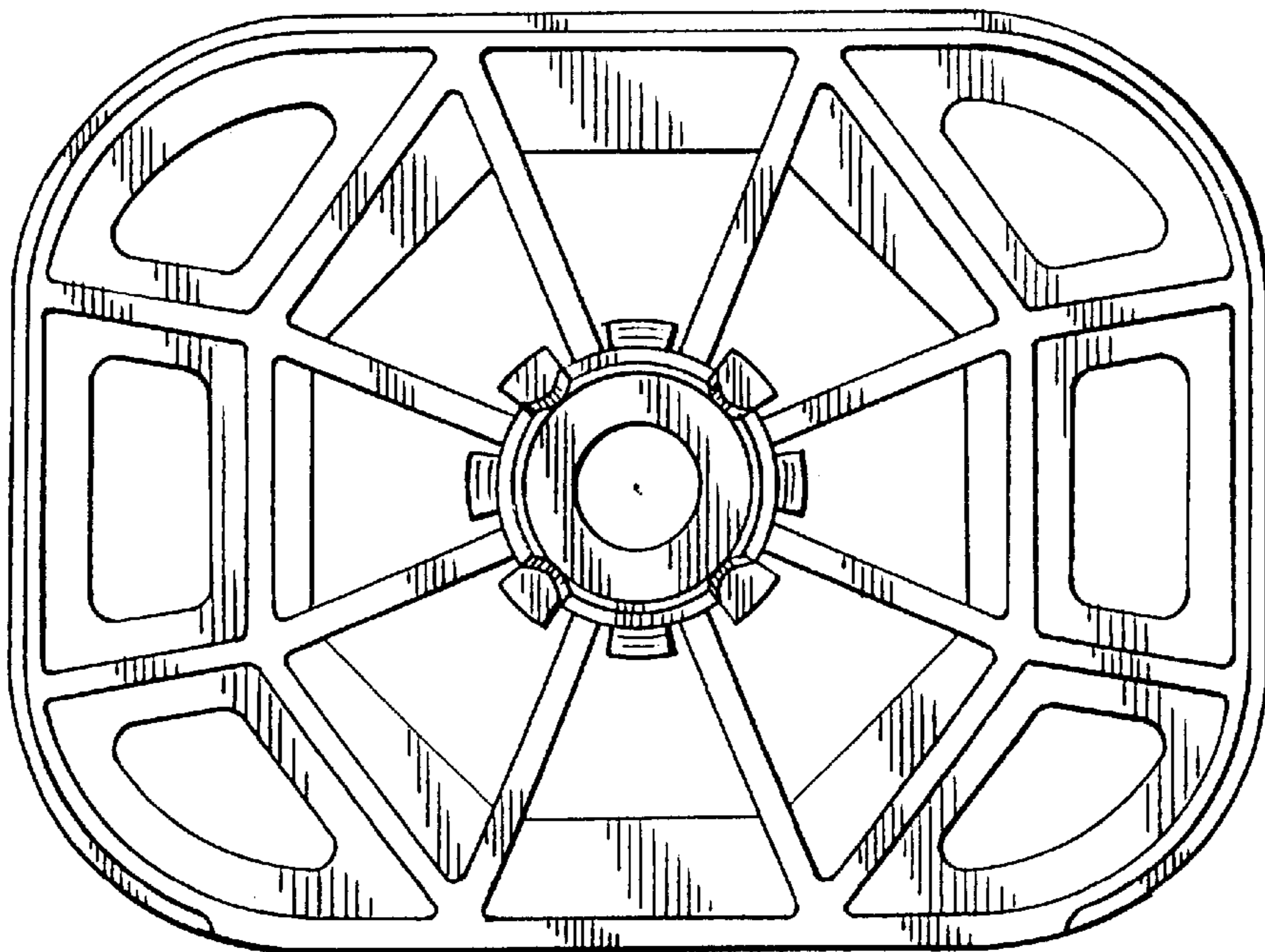


FIG. 3

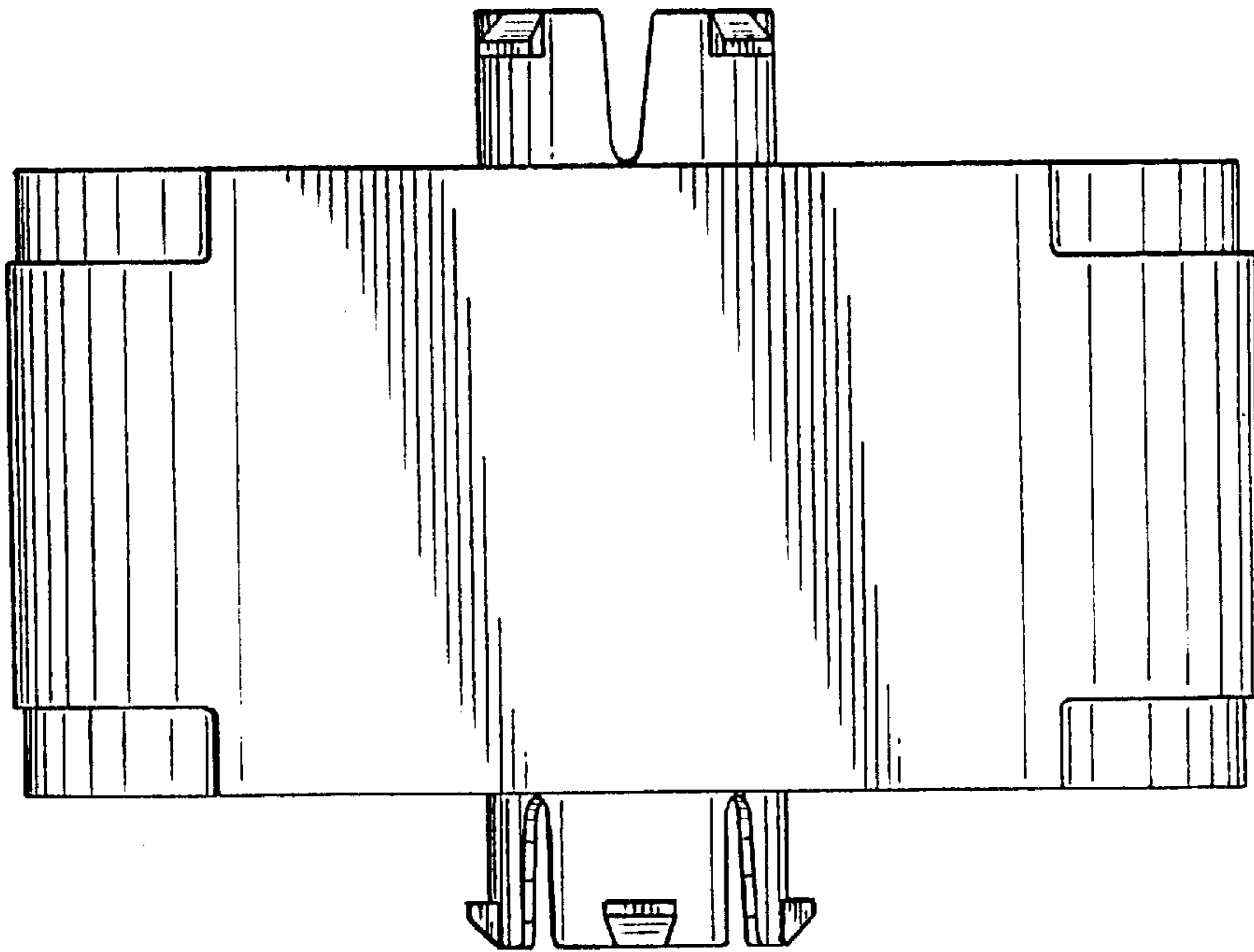


FIG. 4

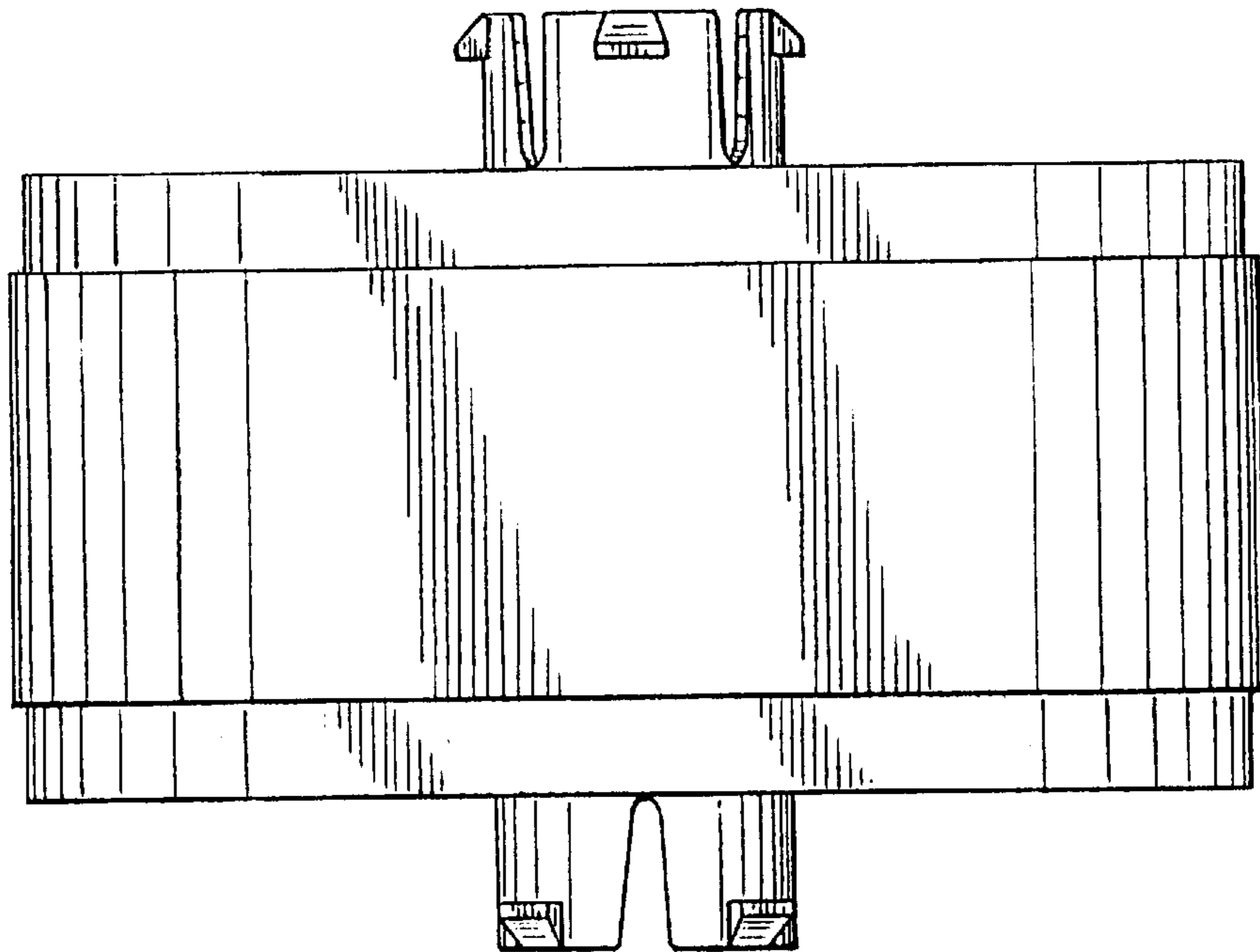


FIG. 5

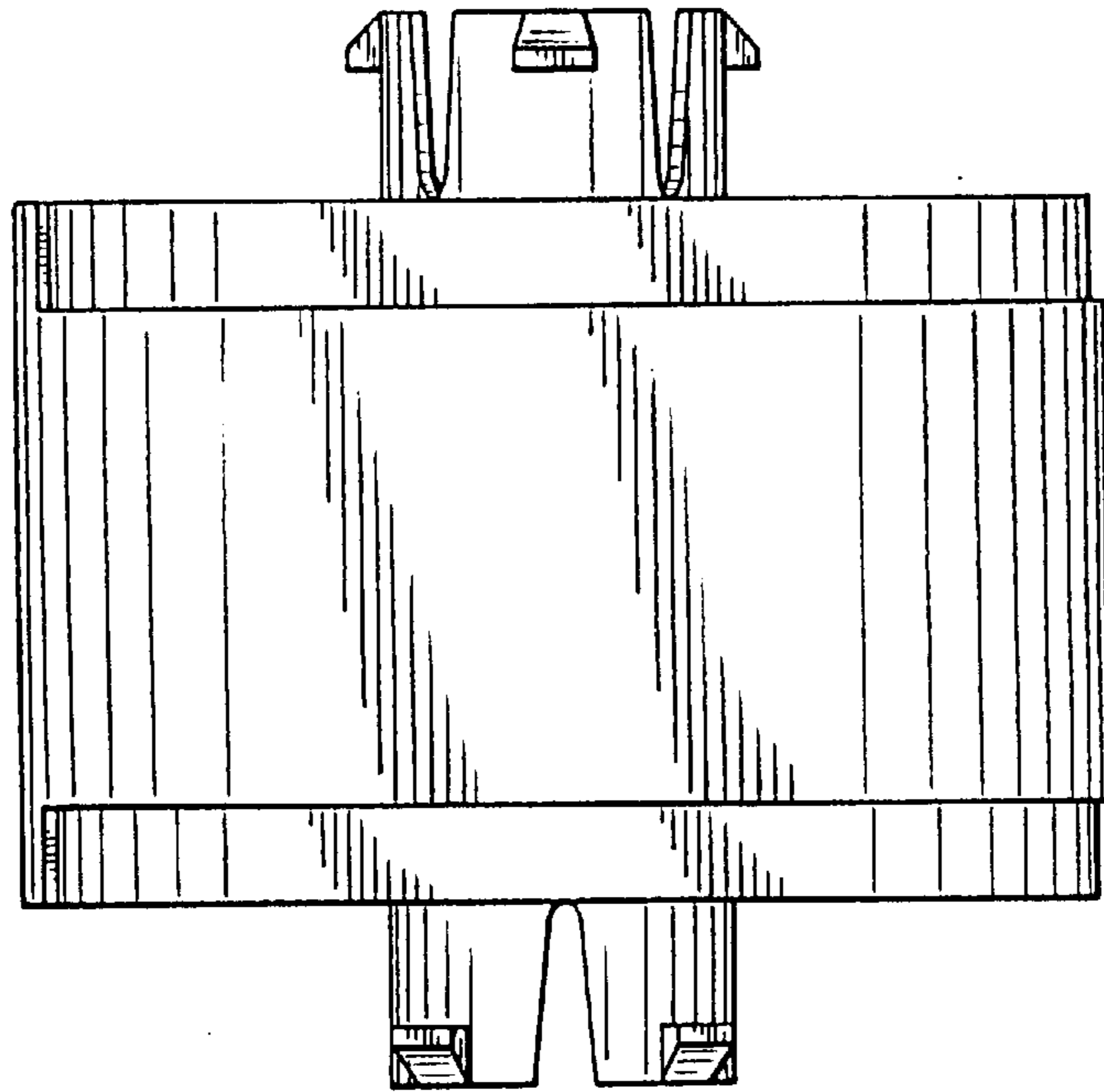


FIG. 6

