



US00D398729S

United States Patent [19]

Hovstø et al.

[11] Patent Number: **Des. 398,729**

[45] Date of Patent: ****Sep. 22, 1998**

[54] **CONVEYOR BELT GUIDING DEVICE**

4,951,801 8/1990 Mraz 198/303
5,174,435 12/1992 Dorner et al. 198/806

[76] Inventors: **Kenneth Hovstø**, Eikelia 11, N-3940 Helstad; **Kjell Arne Gaarder**, Østliveien 3, N-3927 Herøya, both of Norway

Primary Examiner—Doris Clark
Attorney, Agent, or Firm—Young & Thompson

[**] Term: **14 Years**

[57] **CLAIM**

[21] Appl. No.: **62,040**

The ornamental design for a conveyor belt guiding device, as shown.

[22] Filed: **Nov. 6, 1996**

DESCRIPTION

[30] **Foreign Application Priority Data**

May 6, 1996 [NO] Norway 960313

FIG. 1 is a perspective view of a conveyor belt guiding device according to our invention;

[51] **LOC (6) Cl.** **12-05**

FIG. 2 is a perspective view thereof from the side opposite that shown in FIG. 1;

[52] **U.S. Cl.** **D34/29**

[58] **Field of Search** D34/28, 29; 198/813, 198/837, 840, 841; 118/261, 70, 104, 203, 204

FIG. 3 is a perspective view of a second embodiment thereof; and,

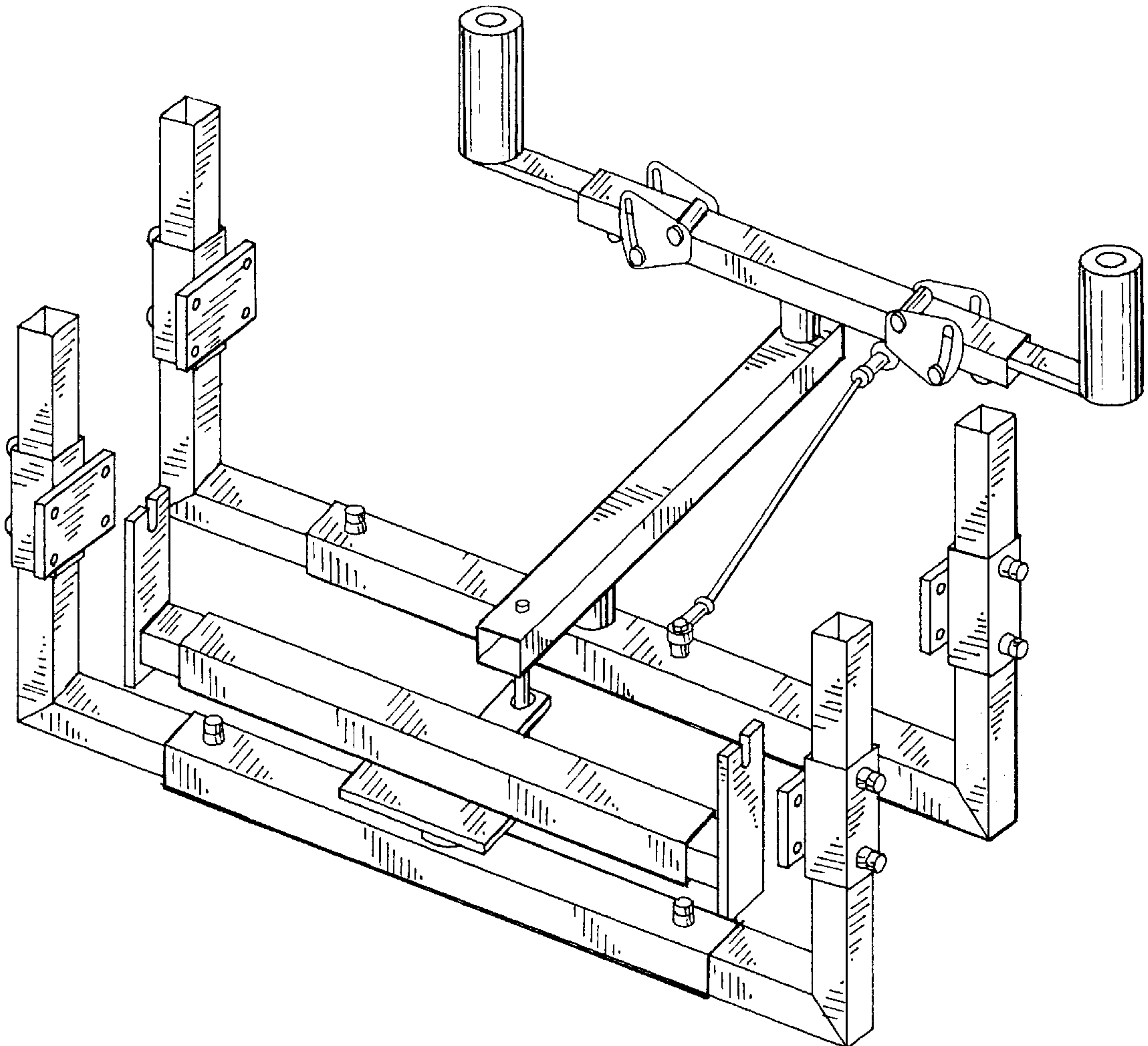
FIG. 4 is a perspective view of said second embodiment from the side opposite that shown in FIG. 3.

[56] **References Cited**

U.S. PATENT DOCUMENTS

4,008,801 2/1977 Reilly et al. 198/841

1 Claim, 4 Drawing Sheets



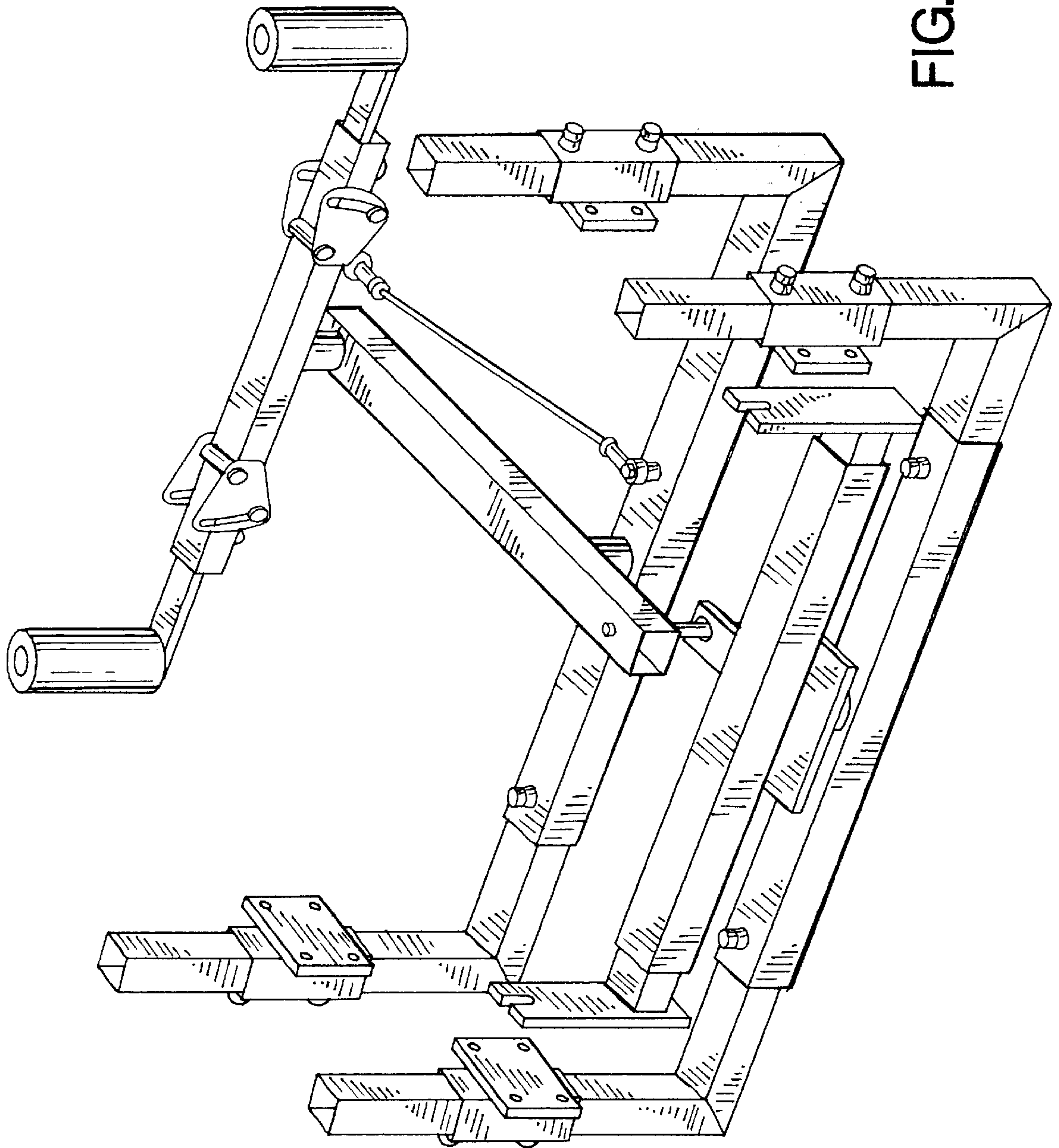


FIG. 1

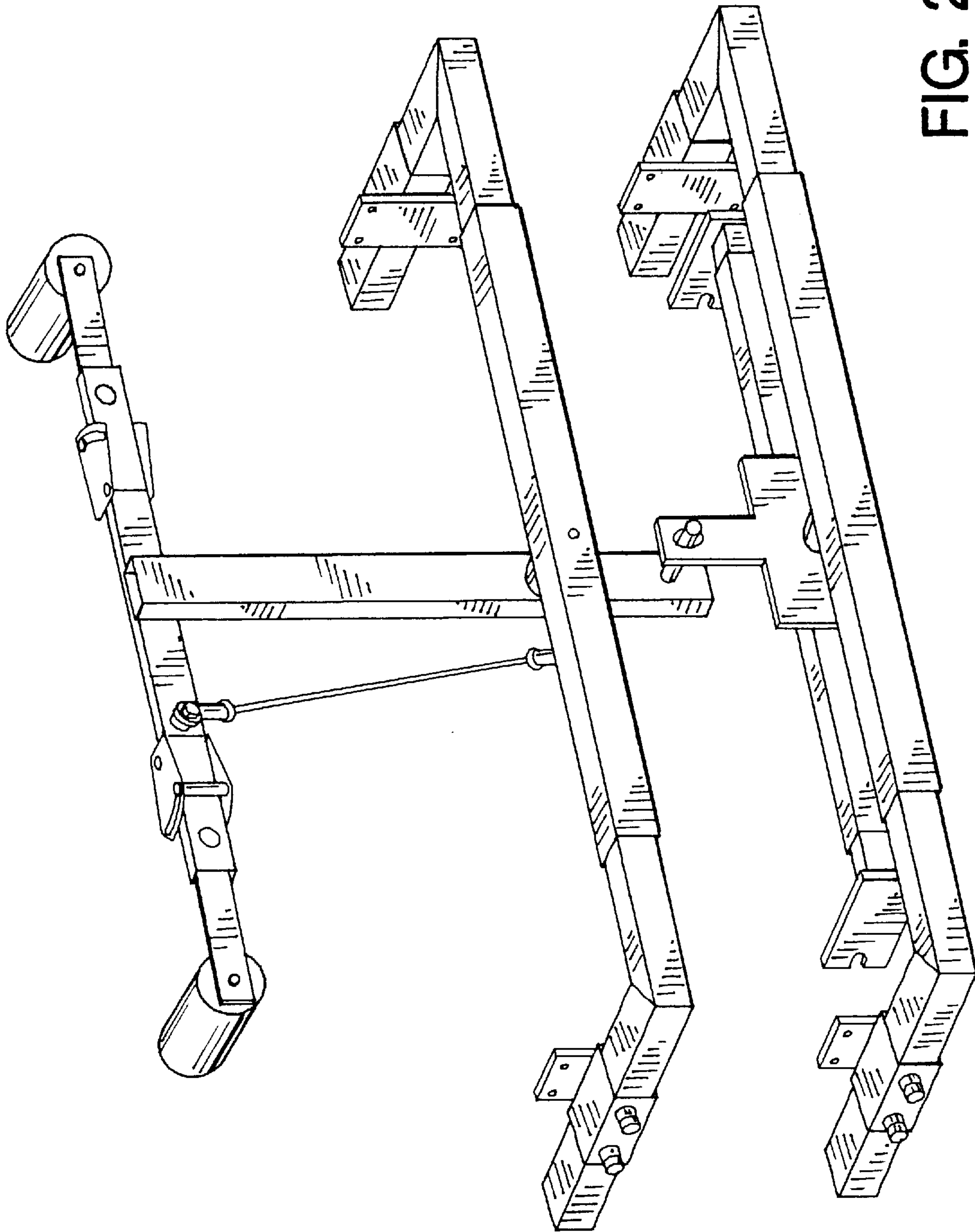


FIG. 2

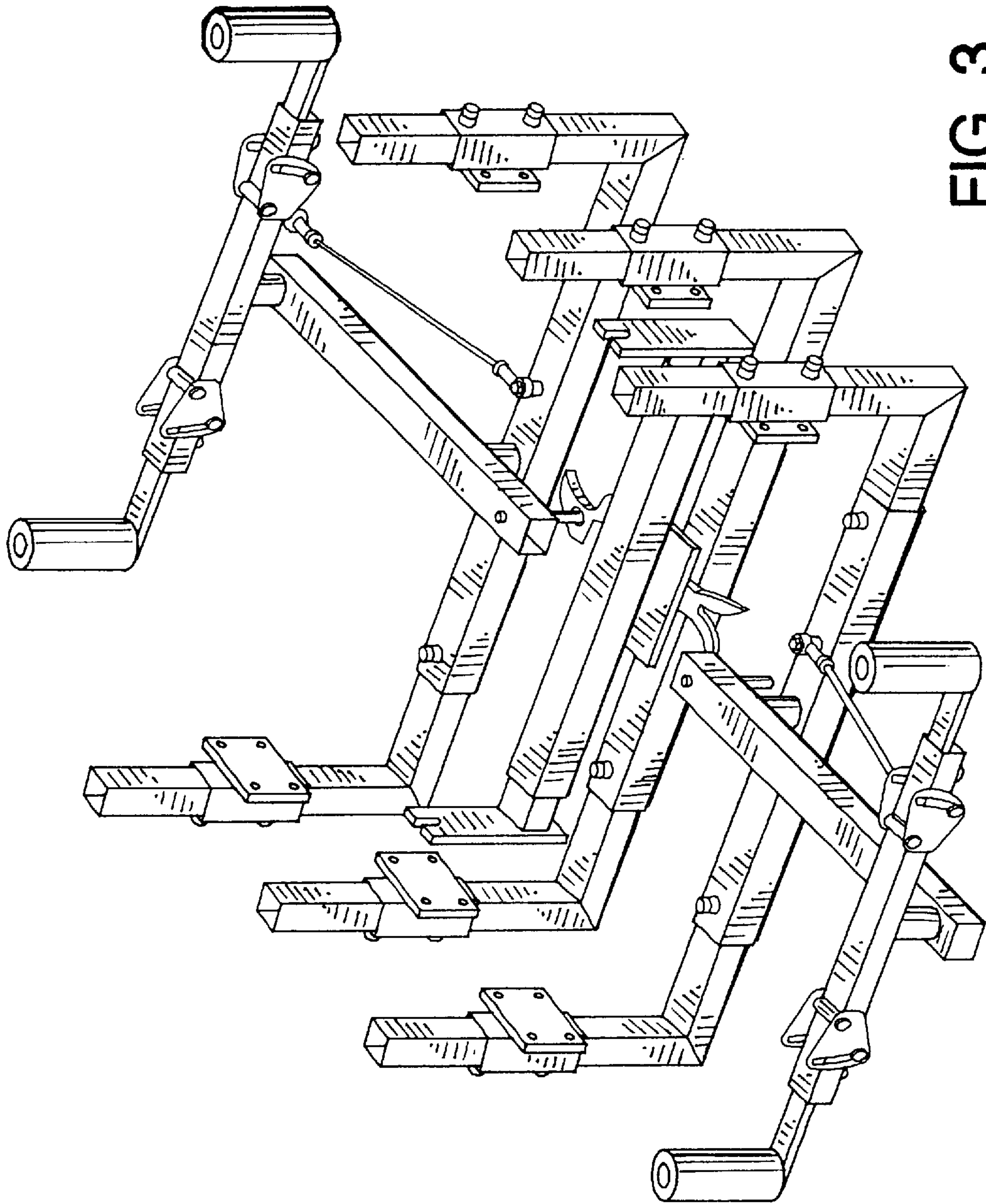


FIG. 3

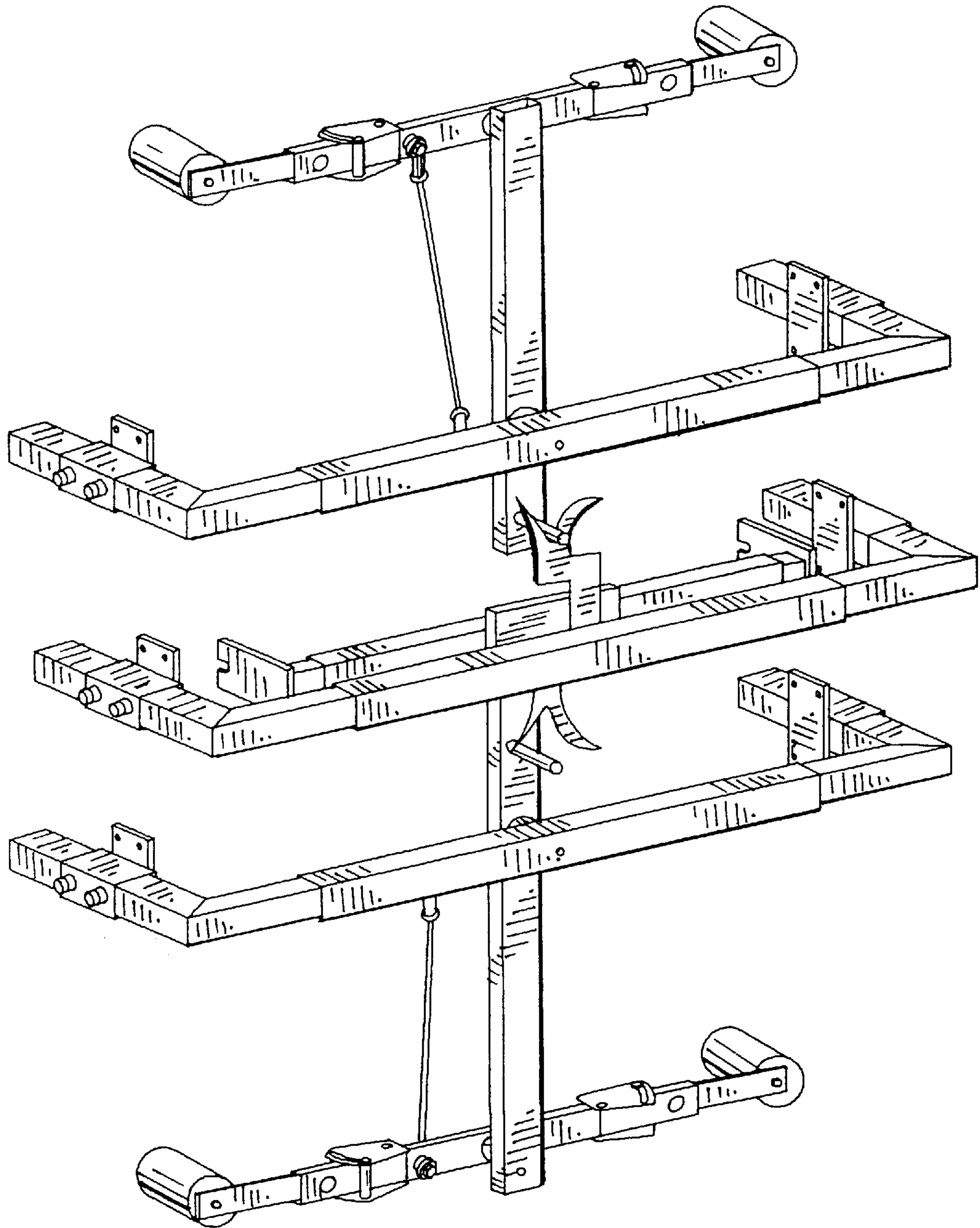


FIG. 4

UNITED STATES PATENT AND TRADEMARK OFFICE
CERTIFICATE OF CORRECTION

PATENT NO. : Des. 398,729
DATED : September 22, 1998
INVENTOR(S) : Kenneth HOVSTO et al.

It is certified that error appears in the above-identified patent and that said Letters Patent is hereby corrected as shown below:

On the title page, in Item [76] Inventors, change the surname of the second inventor from "GAARDER" to --GAARDEN--.

Signed and Sealed this
Ninth Day of March, 1999



Q. TODD DICKINSON

Acting Commissioner of Patents and Trademarks

Attest:

Attesting Officer