



US00D398728S

**United States Patent** [19]  
**Osborne, Jr.**

[11] **Patent Number: Des. 398,728**

[45] **Date of Patent: \*\*Sep. 22, 1998**

[54] **DUAL WHEEL DOLLY**

5,180,069 1/1993 Krammell et al. .... 211/151  
5,285,909 2/1994 Slater ..... 211/151

[76] Inventor: **John R. Osborne, Jr.**, 5 Barton Rd.,  
Pittsfield, N.H. 03263

*Primary Examiner*—Kay H. Chin  
*Attorney, Agent, or Firm*—William B. Ritchie; Michael J. Persson

[\*\*] Term: **14 Years**

[21] Appl. No.: **63,256**

[57] **CLAIM**

[22] Filed: **Dec. 3, 1996**

The ornamental design for a dual wheel dolly, as shown and described.

[51] **LOC (6) Cl.** ..... **12-05**

**DESCRIPTION**

[52] **U.S. Cl.** ..... **D34/28; D34/23**

[58] **Field of Search** ..... D34/12-27, 28,  
D34/29, 38; 280/79.11, 79.2, 79.7, 32.5,  
32.6, 402, 641; 211/151; D8/349; 414/483,  
560

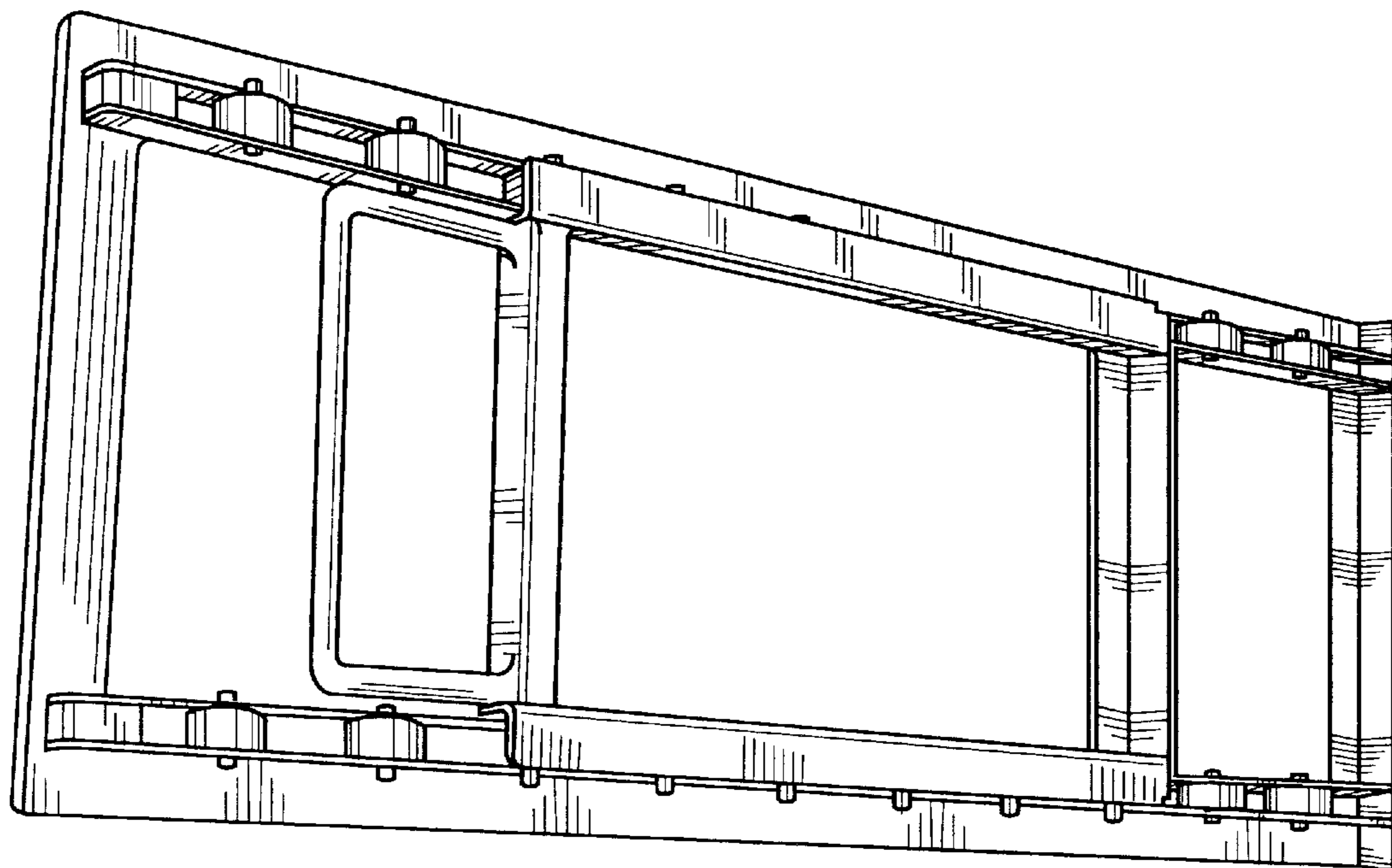
FIG. 1 is a perspective view of a dual wheel dolly showing my new design;  
FIG. 2 is a bottom view thereof;  
FIG. 3 is a top view of the wheeled track assembly thereof;  
FIG. 4 is an enlarged top view of the left end of FIG. 3;  
FIG. 5 is an enlarged top view of the right end of FIG. 3;  
FIG. 6 is a bottom view of the wheeled track assembly thereof;  
FIG. 7 is a top view of the slidable rack thereof; and,  
FIG. 8 is a bottom view of the slidable rack thereof.

[56] **References Cited**

**U.S. PATENT DOCUMENTS**

|            |         |              |       |        |
|------------|---------|--------------|-------|--------|
| D. 302,891 | 8/1989  | Lardell      | ..... | D34/23 |
| D. 376,460 | 12/1996 | Isaia et al. | ..... | D34/28 |
| D. 377,700 | 1/1997  | Butler       | ..... | D34/28 |
| 3,887,219  | 6/1975  | Wilson       | ..... | D34/23 |

**1 Claim, 4 Drawing Sheets**



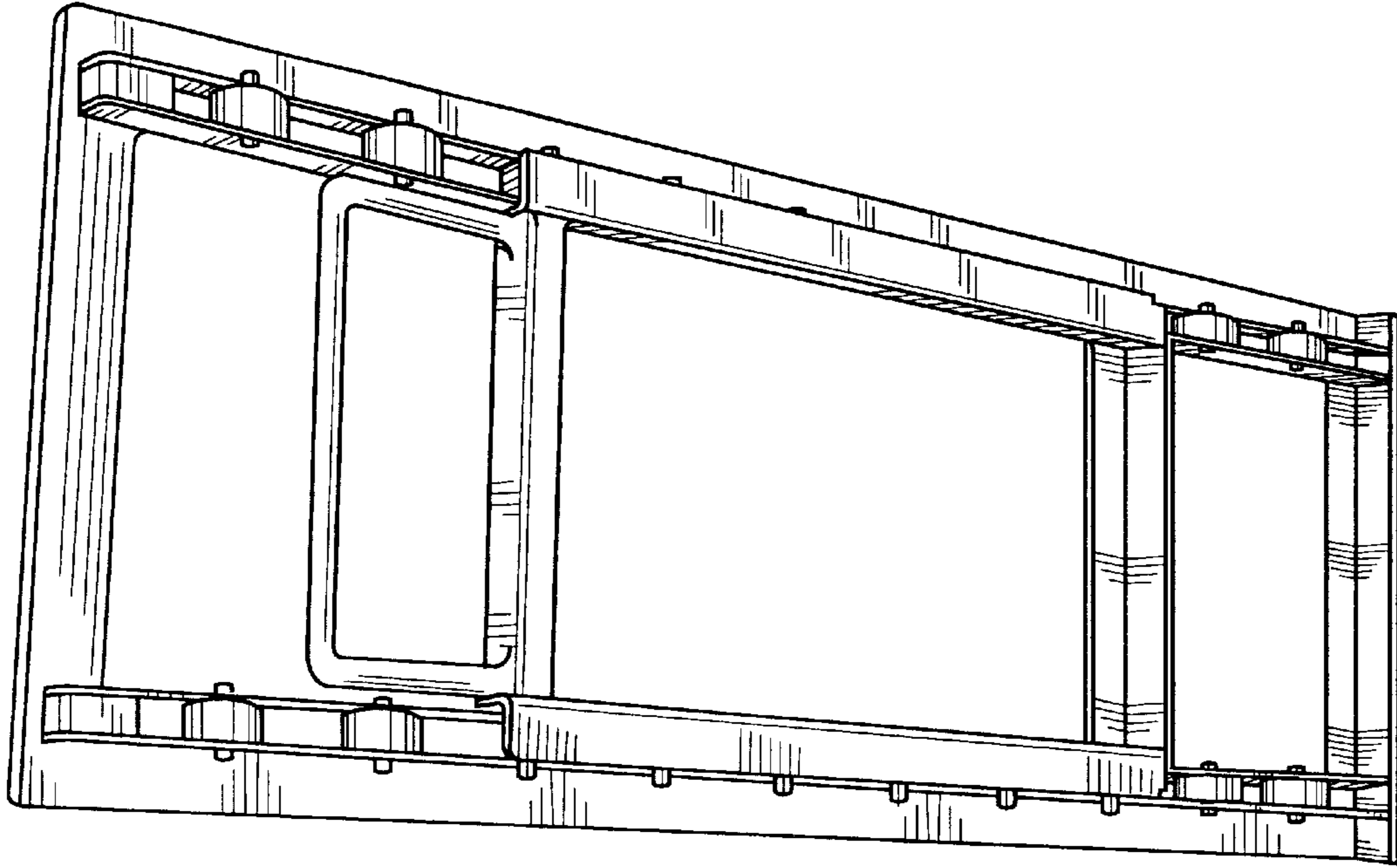


FIG. 1

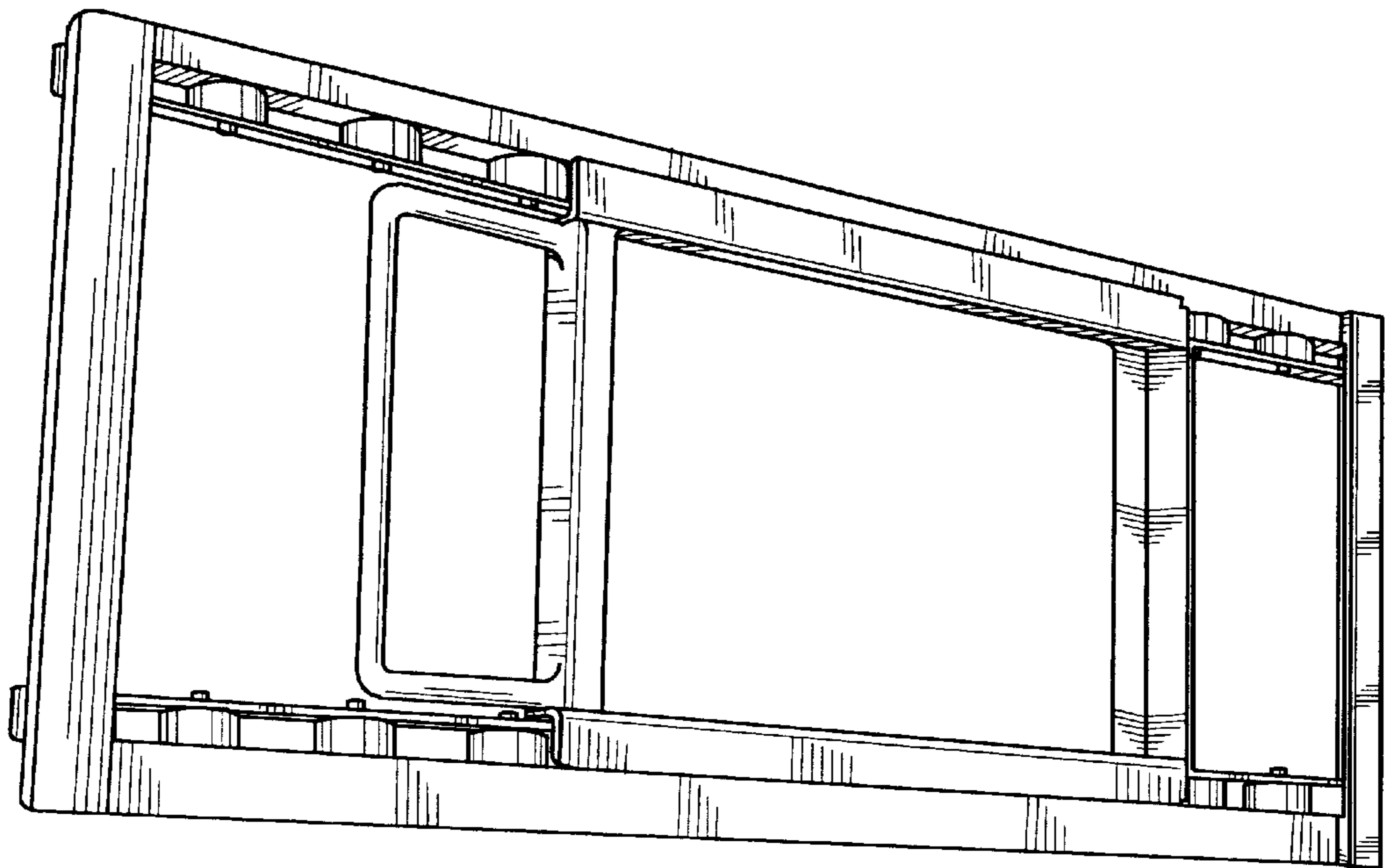


FIG. 2

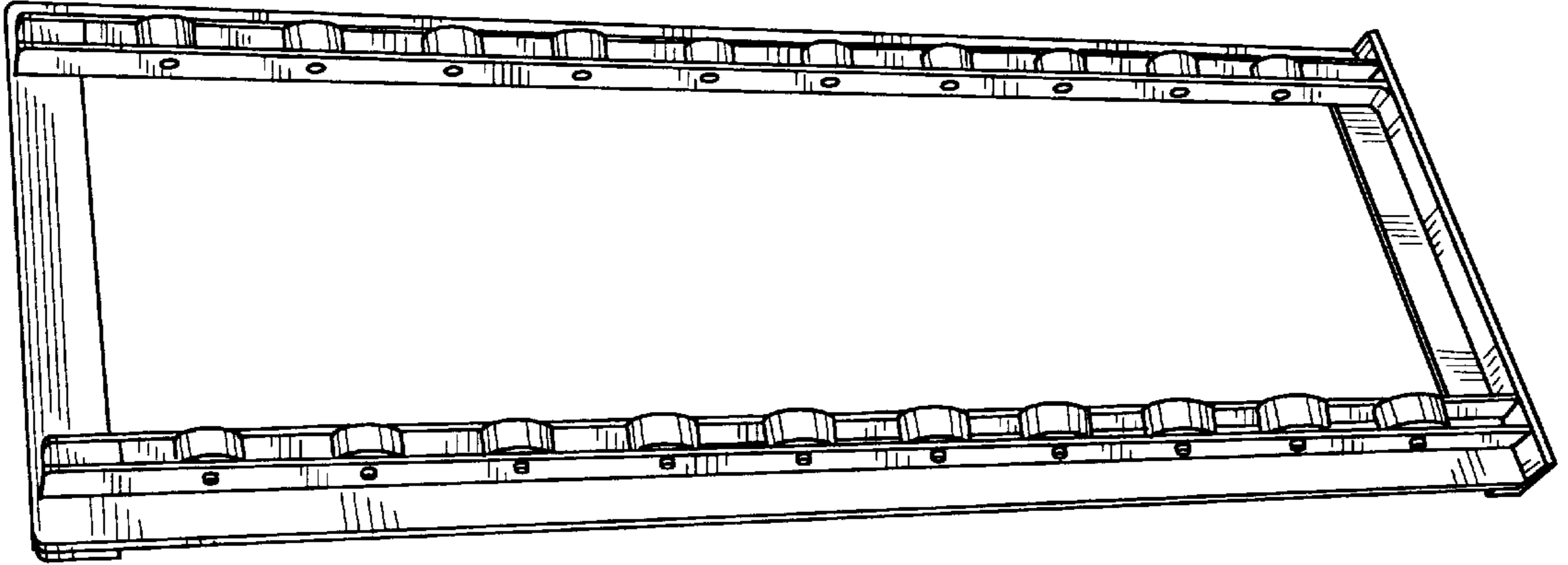


FIG. 3

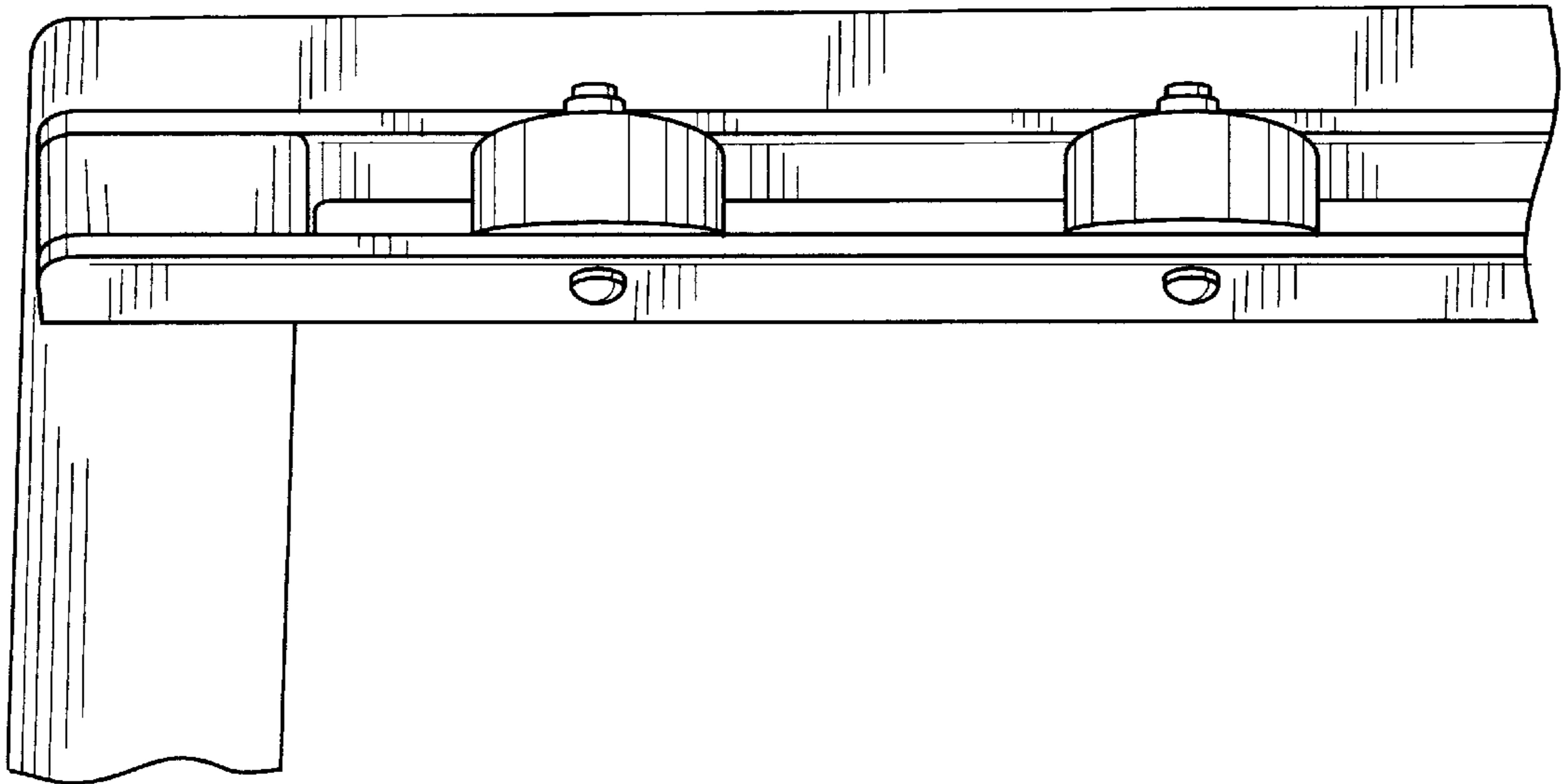


FIG. 4

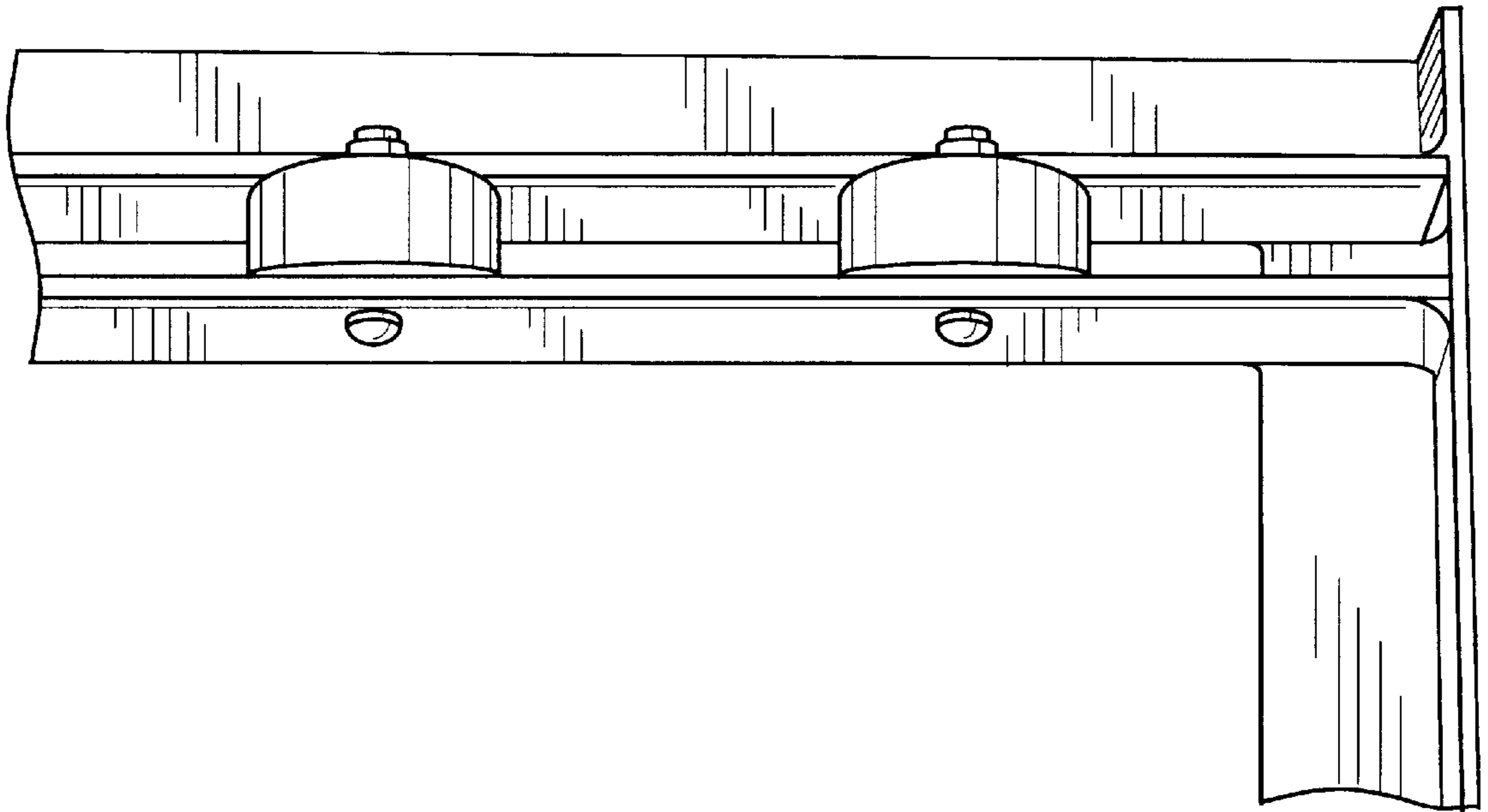


FIG. 5

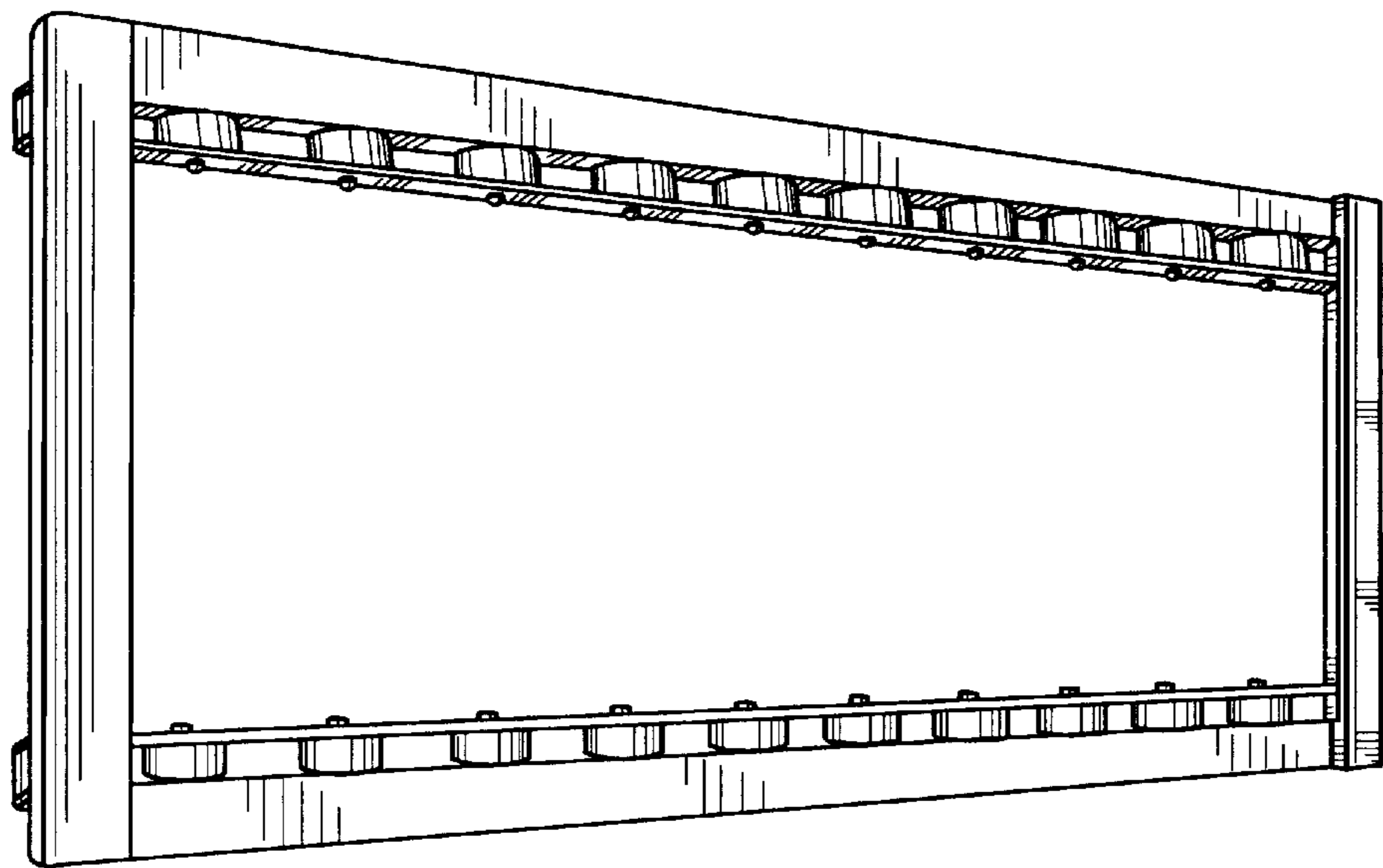


FIG. 6

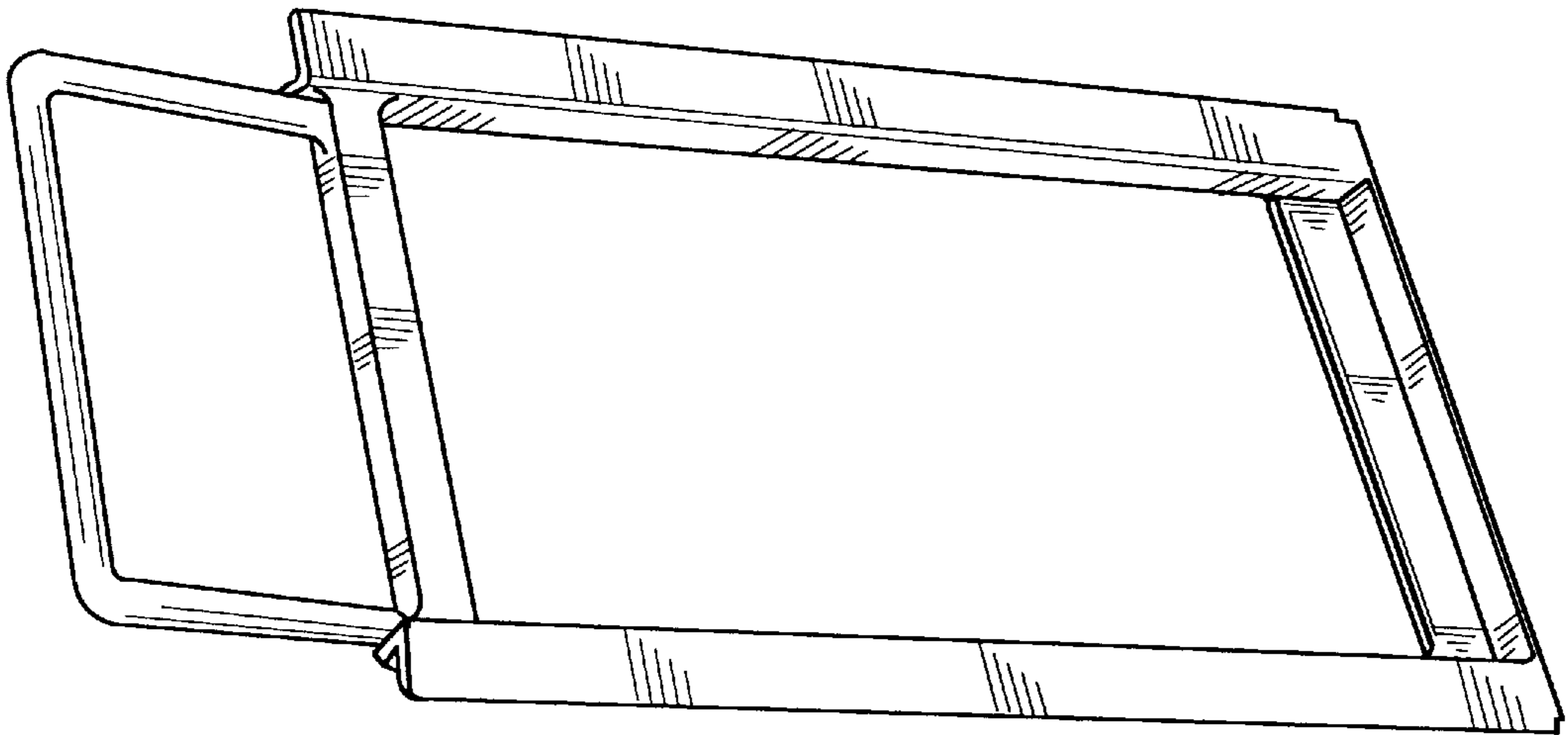


FIG. 7

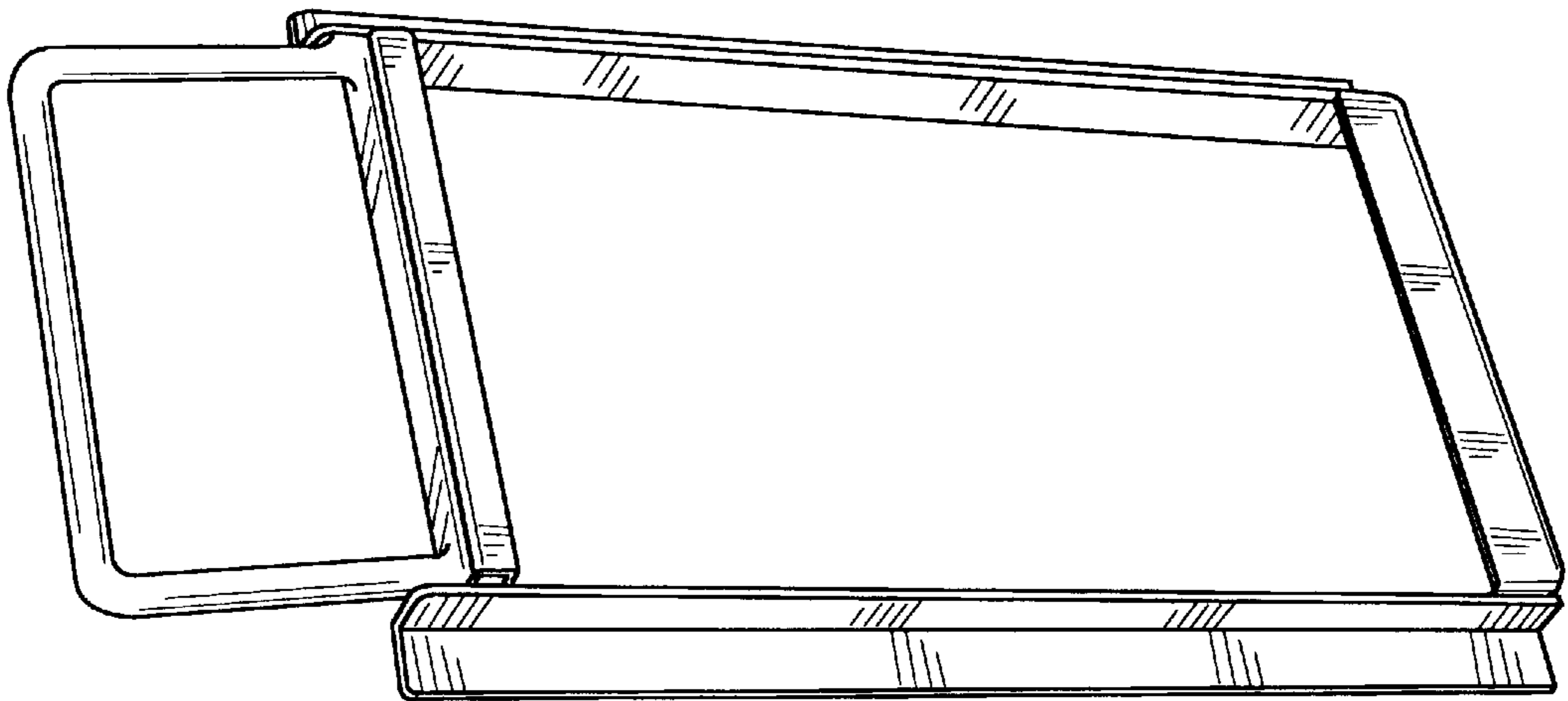


FIG. 8