



US00D398722S

United States Patent [19] Hardison

[11] Patent Number: **Des. 398,722**

[45] Date of Patent: ****Sep. 22, 1998**

[54] **BIRD FEEDER**

[75] Inventor: **Stewart Hardison**, Bainbridge, N.Y.

[73] Assignee: **Perky-P Co., a Colorado partnership**,
Denver, Colo.

[**] Term: **14 Years**

[21] Appl. No.: **56,037**

[22] Filed: **Jun. 20, 1996**

[51] **LOC (6) Cl.** **30-03**

[52] **U.S. Cl.** **D30/124; 119/60**

[58] **Field of Search** 119/6.5, 60, 58-59,
119/52.2, 52.3, 57.8, 57.9, 464, 477; D30/110,
124, 119

[56] **References Cited**

U.S. PATENT DOCUMENTS

| | | | | |
|------------|---------|----------|-------|-----------|
| D. 85,404 | 10/1931 | Townley | | 119/57.8 |
| D. 232,313 | 8/1974 | Whitty | | D30/121 |
| D. 376,446 | 12/1996 | Kerr | | D30/124 |
| D. 376,877 | 12/1996 | Hardison | | D30/124 |
| 1,334,182 | 3/1920 | Speicher | | 119/51.01 |
| 1,592,493 | 7/1926 | Kelly | | 119/60 |

| | | | | |
|-----------|--------|----------------|-------|----------|
| 2,093,784 | 9/1937 | Southwick | | 119/6.5 |
| 3,301,217 | 1/1967 | Prowinsky | | 119/57.9 |
| 4,009,686 | 3/1977 | Gilchrist | | 119/468 |
| 4,434,745 | 3/1984 | Perkins et al. | | 119/57.9 |
| 5,016,573 | 5/1991 | Power | | 119/57.9 |

FOREIGN PATENT DOCUMENTS

| | | | | |
|---------|---------|----------------|-------|----------|
| 240410 | 6/1946 | Switzerland | | 119/51.5 |
| 410220 | 5/1934 | United Kingdom | | 119/57.8 |
| 2254237 | 10/1992 | United Kingdom | | 119/57.9 |

Primary Examiner—Cathy Anne MacCormac
Attorney, Agent, or Firm—Richard G. Stephens

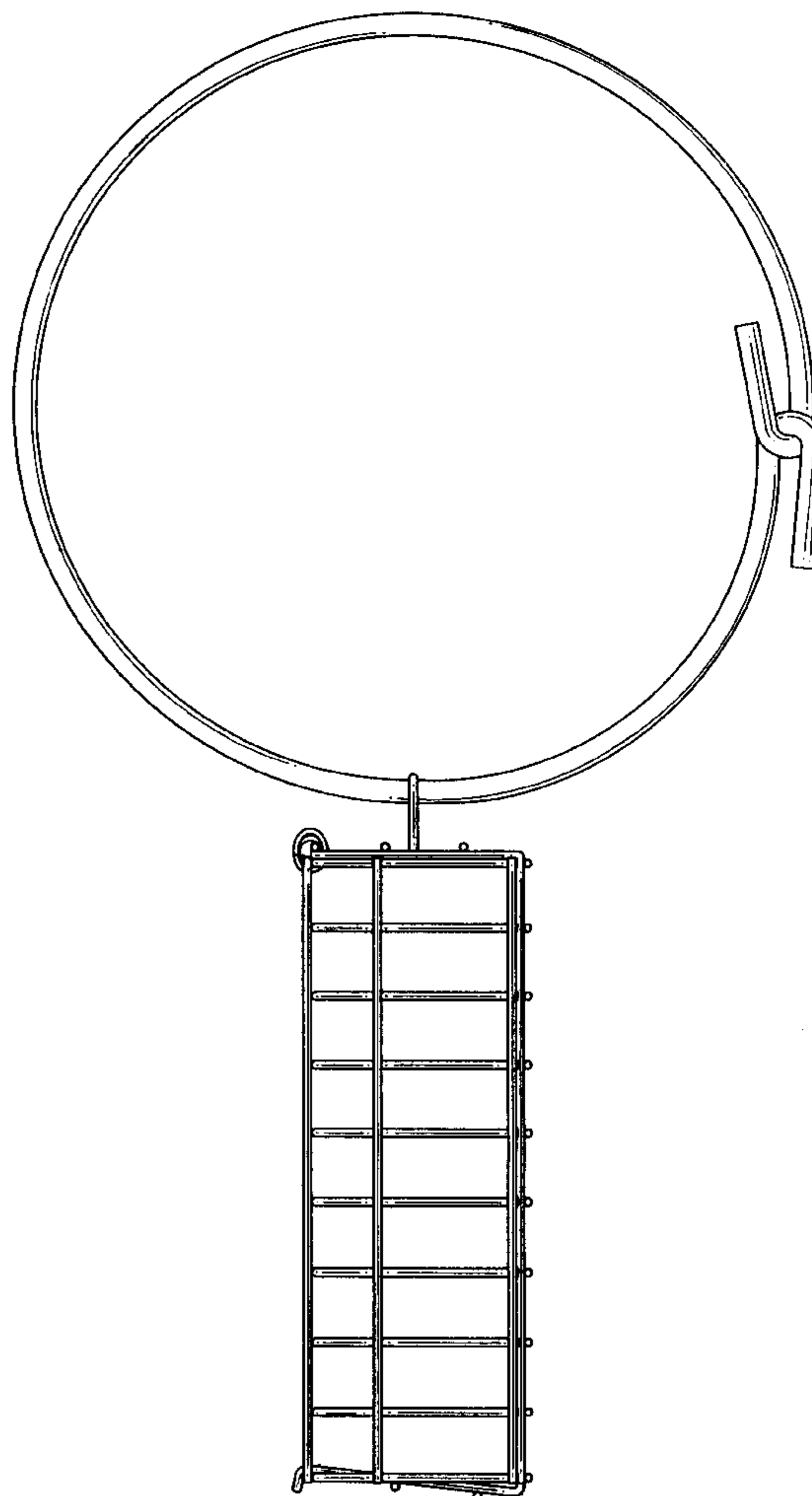
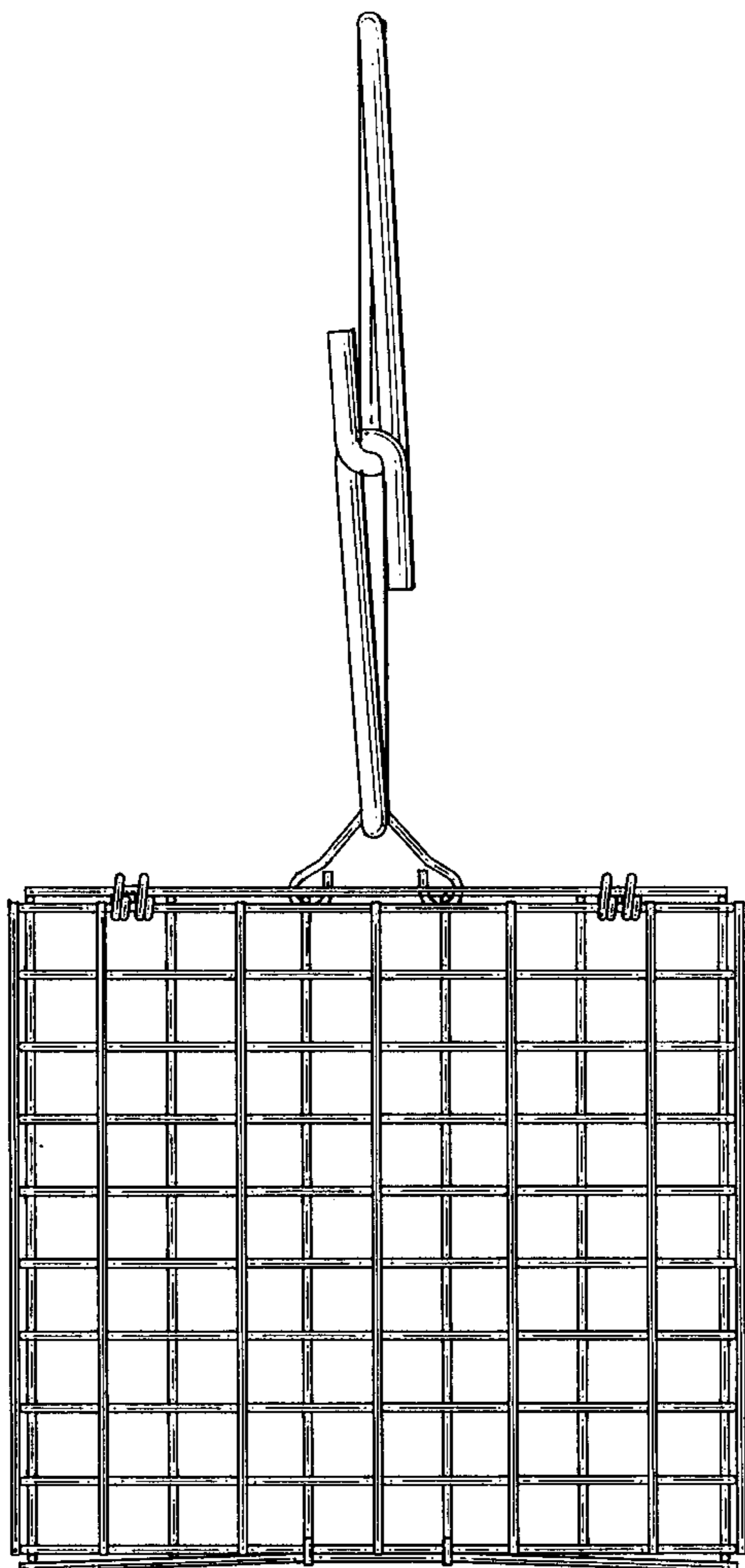
[57] **CLAIM**

The ornamental design for a bird feeder, as shown.

DESCRIPTION

FIG. 1 is a front elevation view of a bird feeder showing my new design;
FIG. 2 is a rear elevation view thereof;
FIG. 3 is a top or plan view thereof;
FIG. 4 is a bottom view thereof; and,
FIG. 5 is an end elevation view thereof.

1 Claim, 4 Drawing Sheets



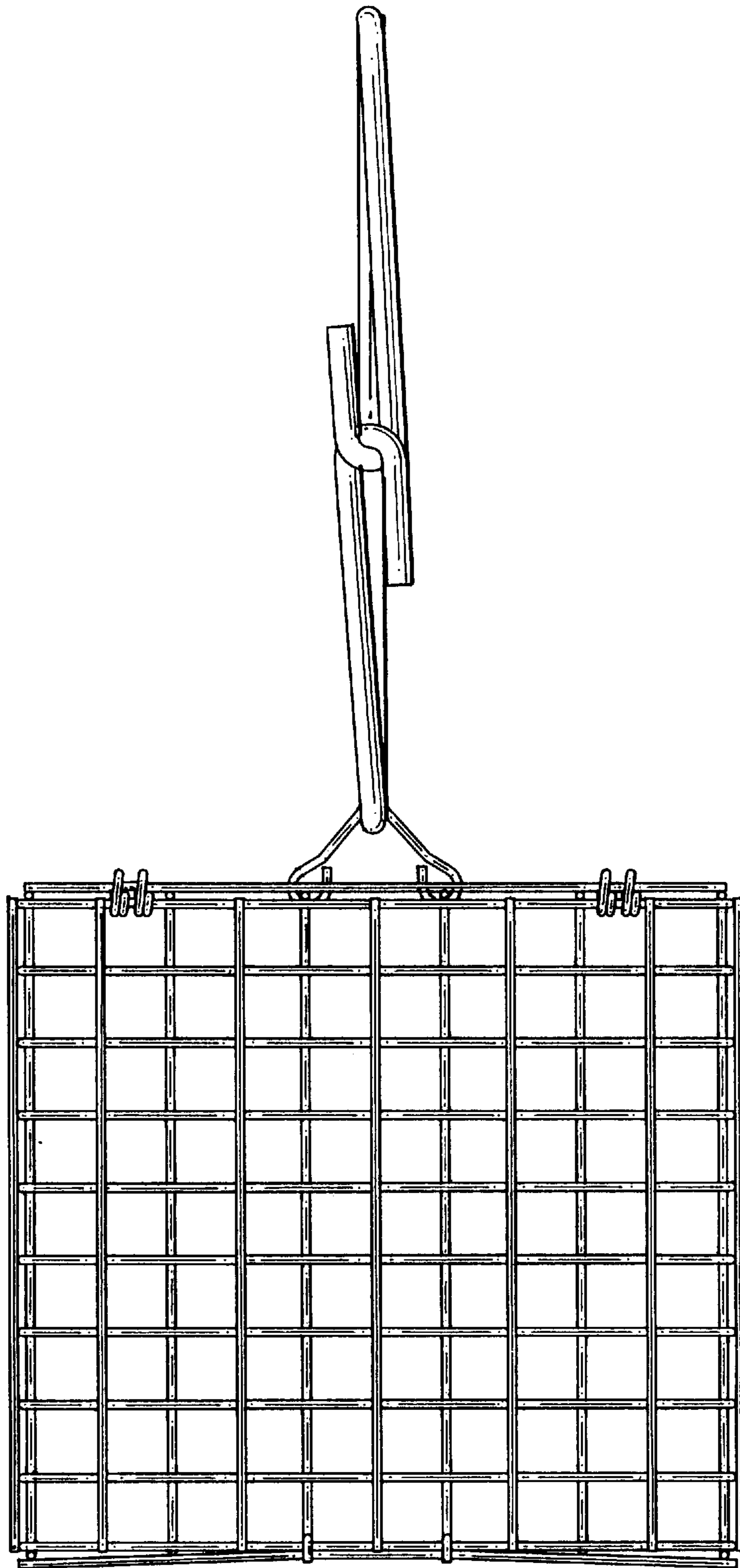


FIG.1

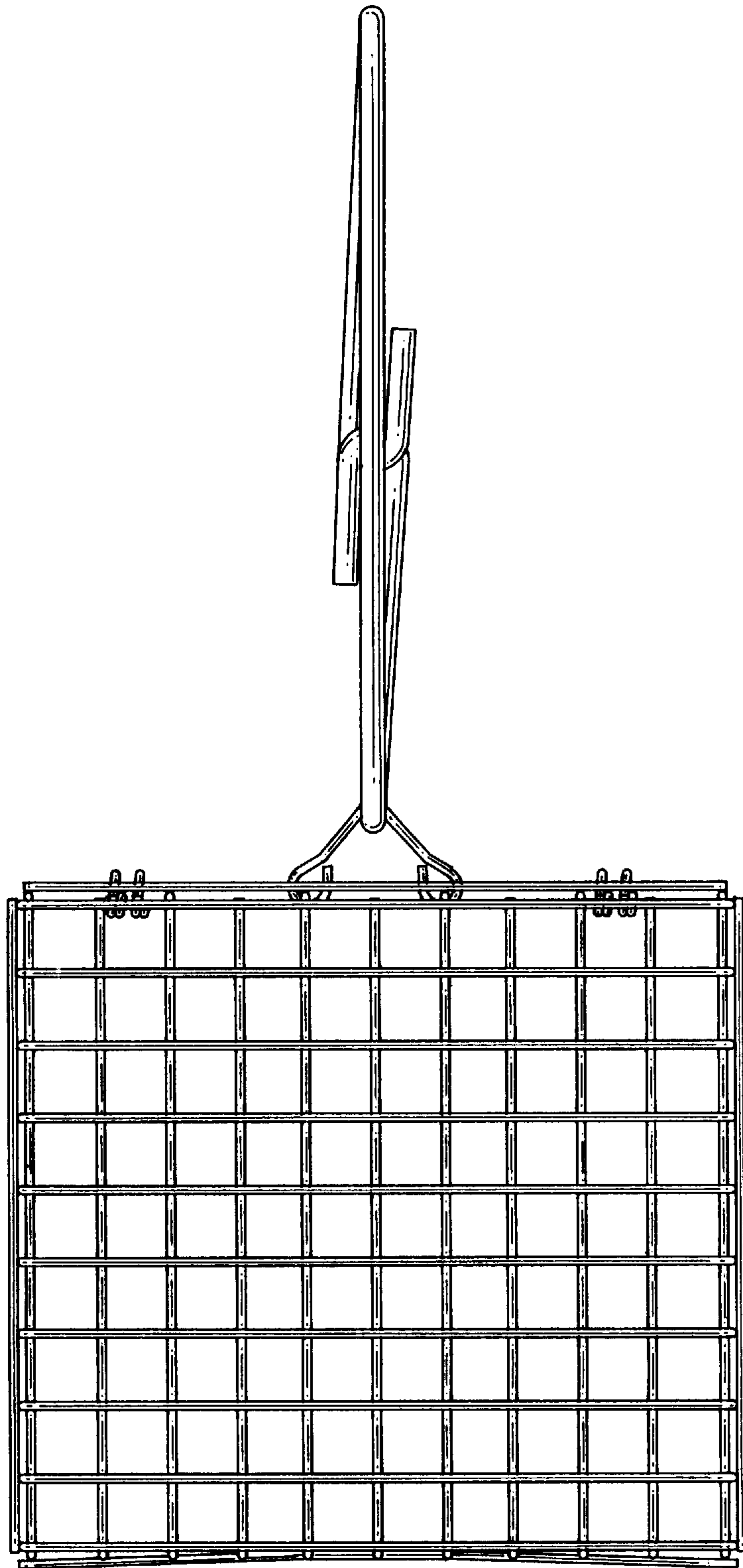
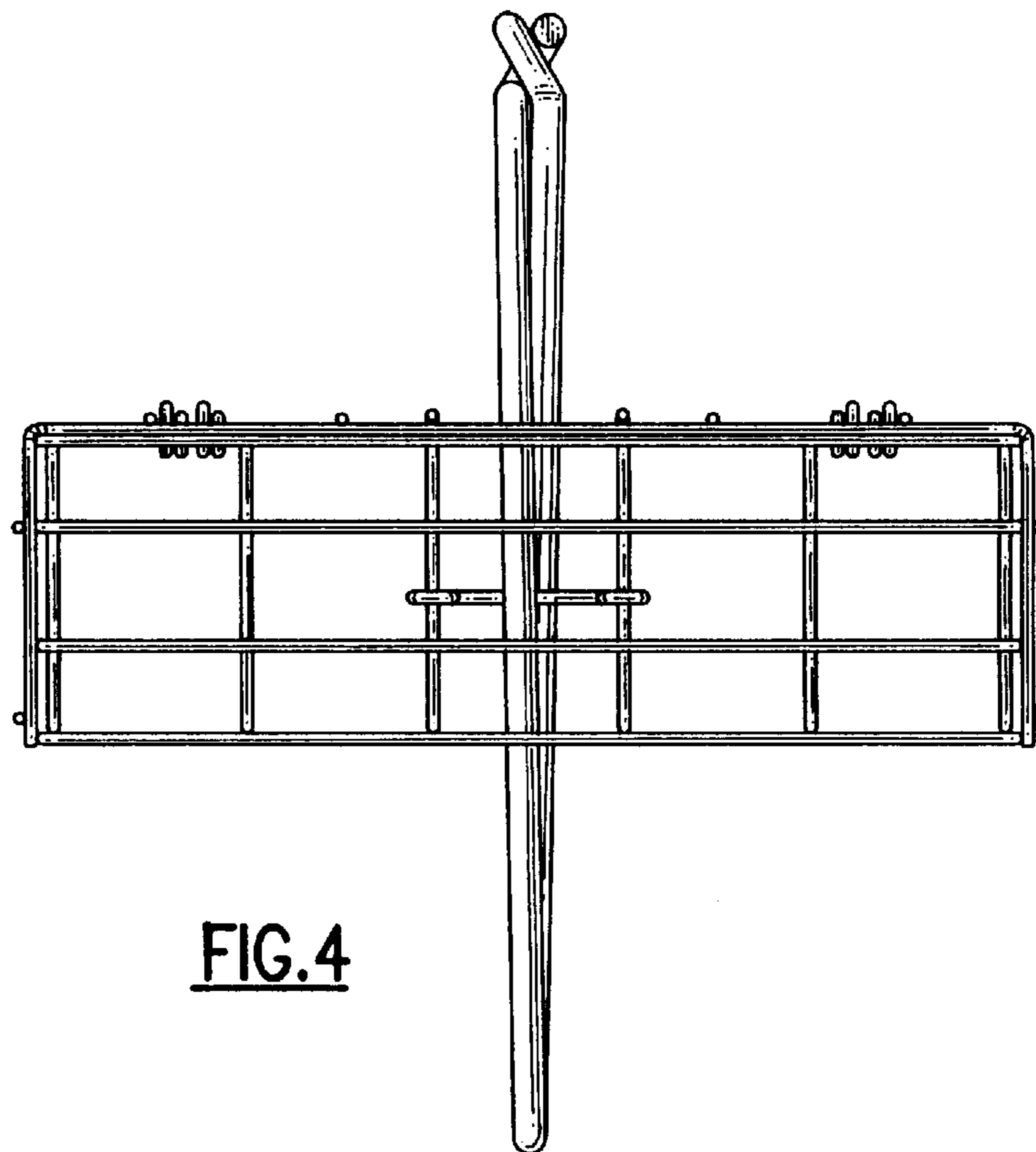
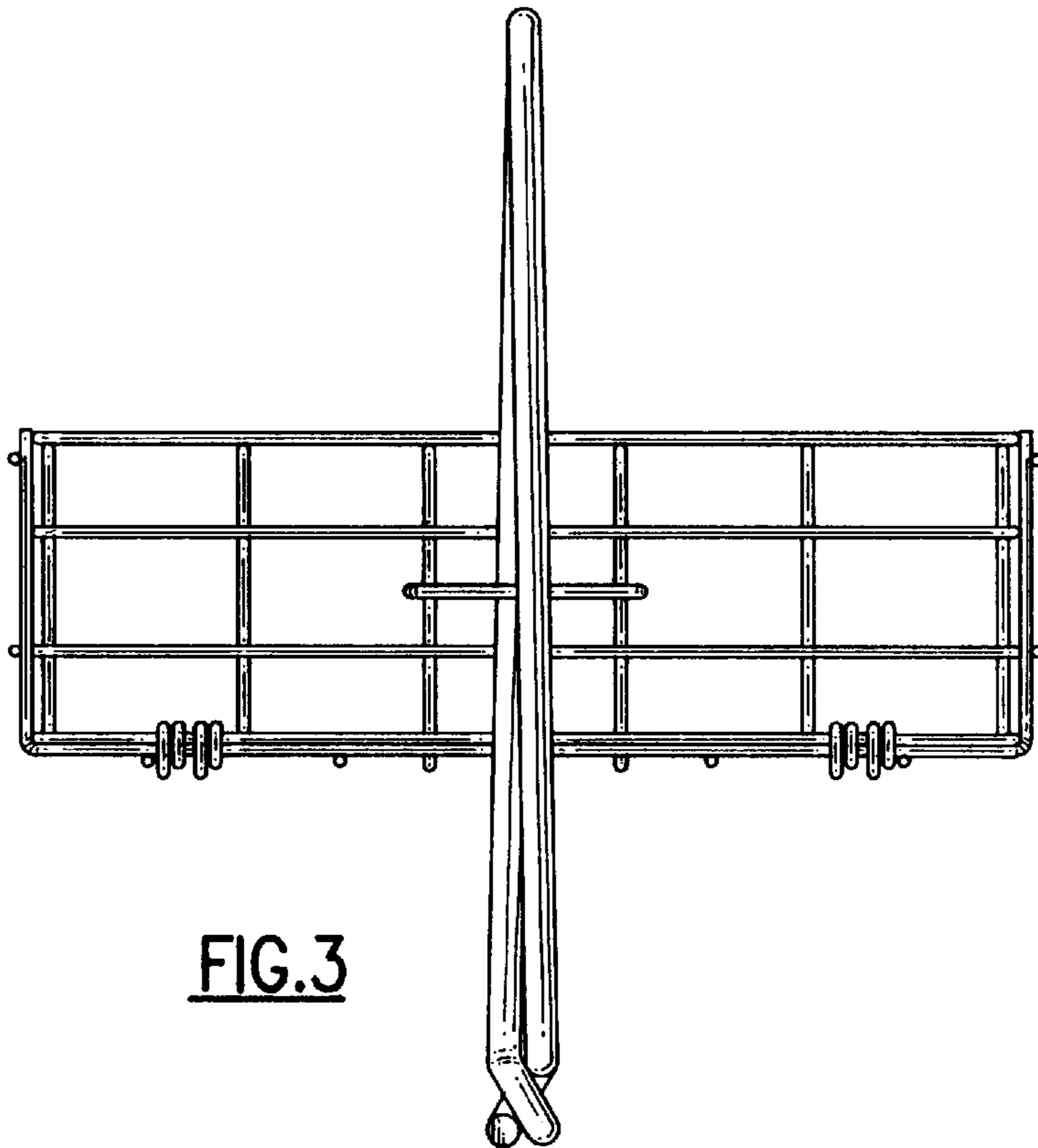


FIG.2



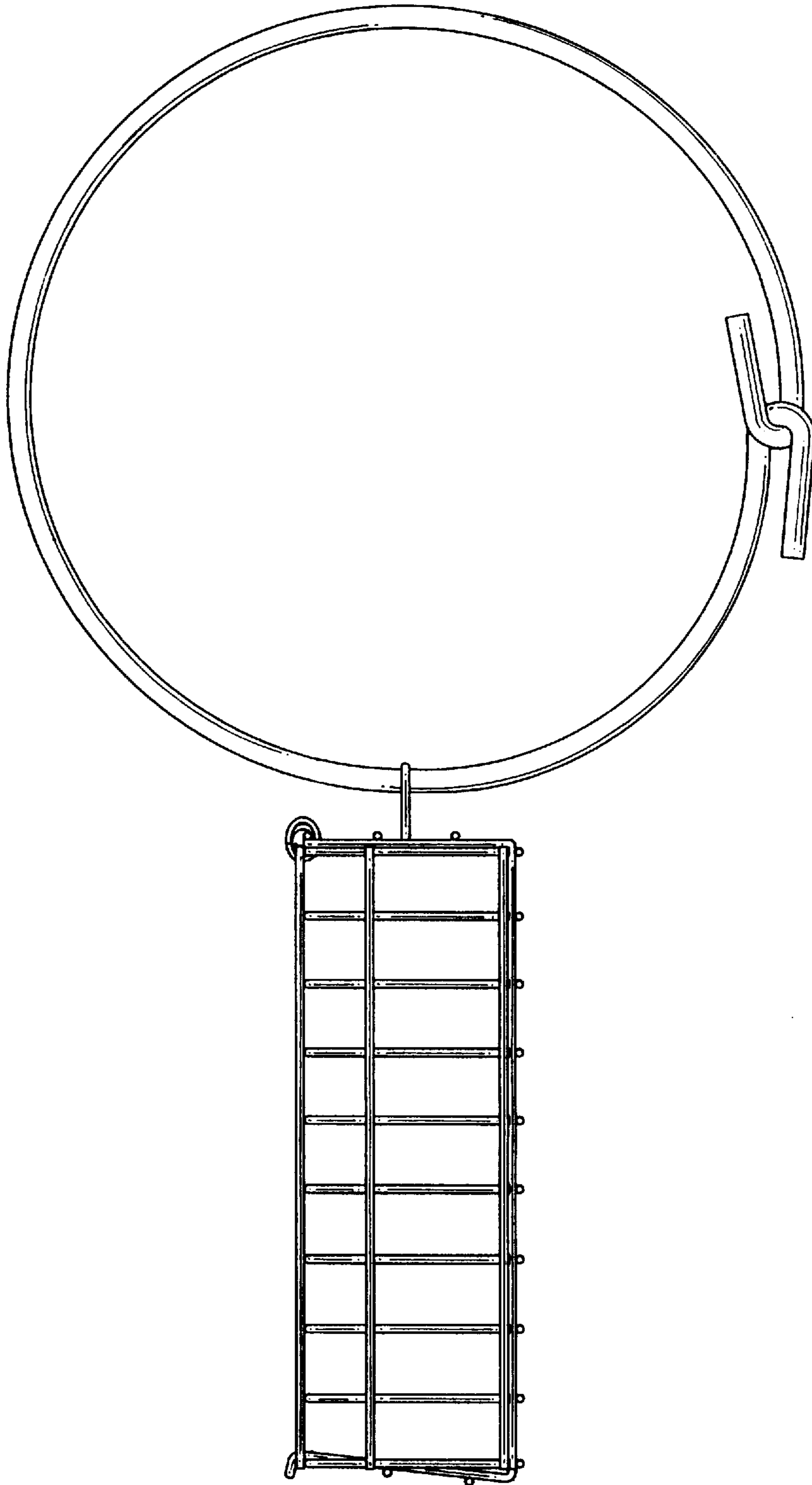


FIG.5