



US00D398717S

United States Patent [19]

Kling et al.

[11] Patent Number: Des. 398,717

[45] Date of Patent: **Sep. 22, 1998

[54] HAIR DRYER

[75] Inventors: Björn Kling, Frankfurt; Jürgen Greubel, Heidenrod, both of Germany

[73] Assignee: Braun Aktiengesellschaft, Kronberg, Germany

[**] Term: 14 Years

[21] Appl. No.: 68,838

[22] Filed: Mar. 14, 1997

[30] Foreign Application Priority Data

Sep. 17, 1996 [DE] Germany 96 07 951.7

[51] LOC (6) Cl. 28-03

[52] U.S. Cl. D28/13

[58] Field of Search D28/12-18; 34/96-98; 392/383-385

[56] References Cited

U.S. PATENT DOCUMENTS

D. 265,136	6/1982	Madl	D28/13
D. 343,698	1/1994	Sharples	D28/13
D. 350,413	9/1994	Feil	D28/13
D. 350,414	9/1994	Rizzuto, Jr.	D28/13
D. 355,048	1/1995	Soresina	D28/13
D. 367,128	2/1996	Rizzuto, Jr.	D28/13
D. 367,543	2/1996	Oberheim	D28/15
D. 375,577	11/1996	Viemeister et al.	D28/13
4,658,116	4/1987	Tsang et al.	392/385
4,918,289	4/1990	Ohlsen et al.	
4,977,306	12/1990	Kosaka et al.	392/380
5,590,475	1/1997	Andis	34/97

FOREIGN PATENT DOCUMENTS

73 MR 9503	8/1986	Germany	.
73 MR 9482	9/1986	Germany	.
M 8904985.3	1/1990	Germany	.
M 8908443.8	2/1990	Germany	.
DM/009 368	9/1987	WIPO 28/3
DM/032 673	4/1995	WIPO 28/3
DM/035 231	1/1996	WIPO 28/3

OTHER PUBLICATIONS

Sears advertising Supplement to the Washington Post Jun. 12, 1974 - item "a" -Professional Type Blower Dryer. Hong Kong Enterprise Oct. 1993, page unknown: hair dryer item No. KHD - 16.

Primary Examiner—Sandra L. Morris
Assistant Examiner—C. Tuttle
Attorney, Agent, or Firm—Edward S. Podszus

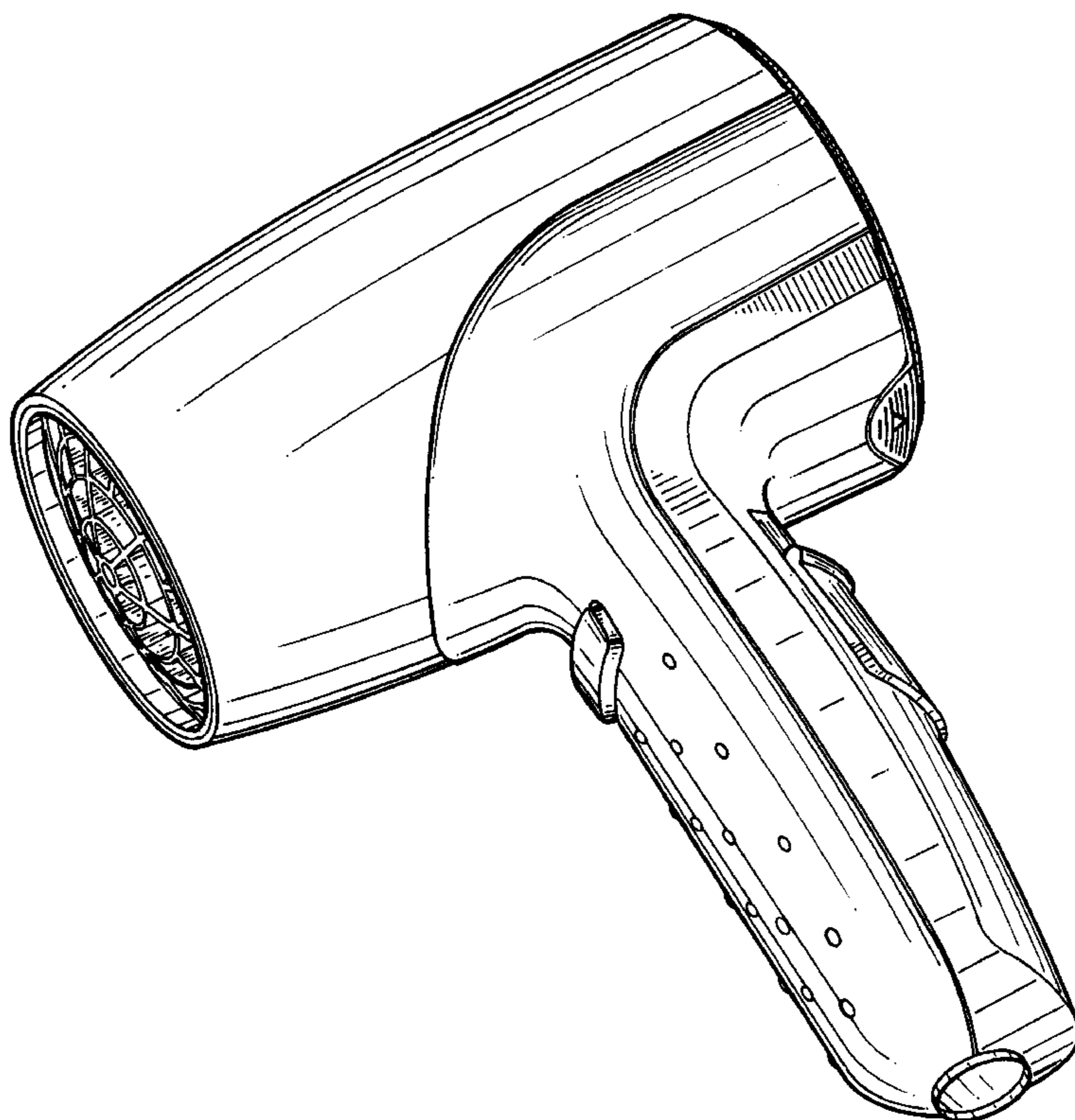
[57] CLAIM

The ornamental design for a hair dryer, as shown and described.

DESCRIPTION

FIG. 1 is a perspective view of a hair dryer showing our new design;
FIG. 2 is a right side elevational view thereof, the left side being a mirror image of the side shown;
FIG. 3 is a top plan view thereof;
FIG. 4 is a bottom plan view thereof;
FIG. 5 is a front elevational view thereof; and,
FIG. 6 is a rear elevational view thereof.

1 Claim, 4 Drawing Sheets



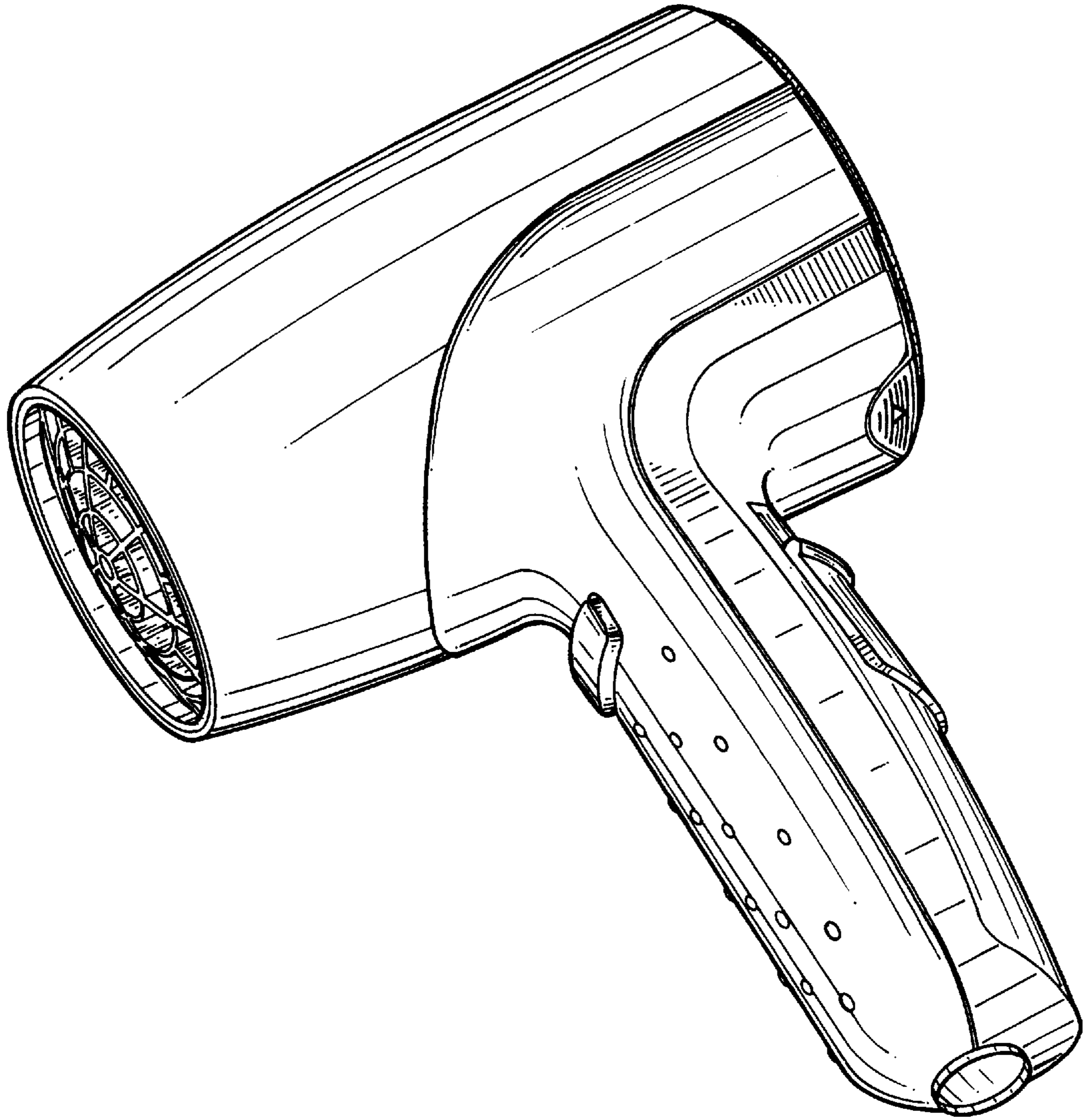


FIG. 1

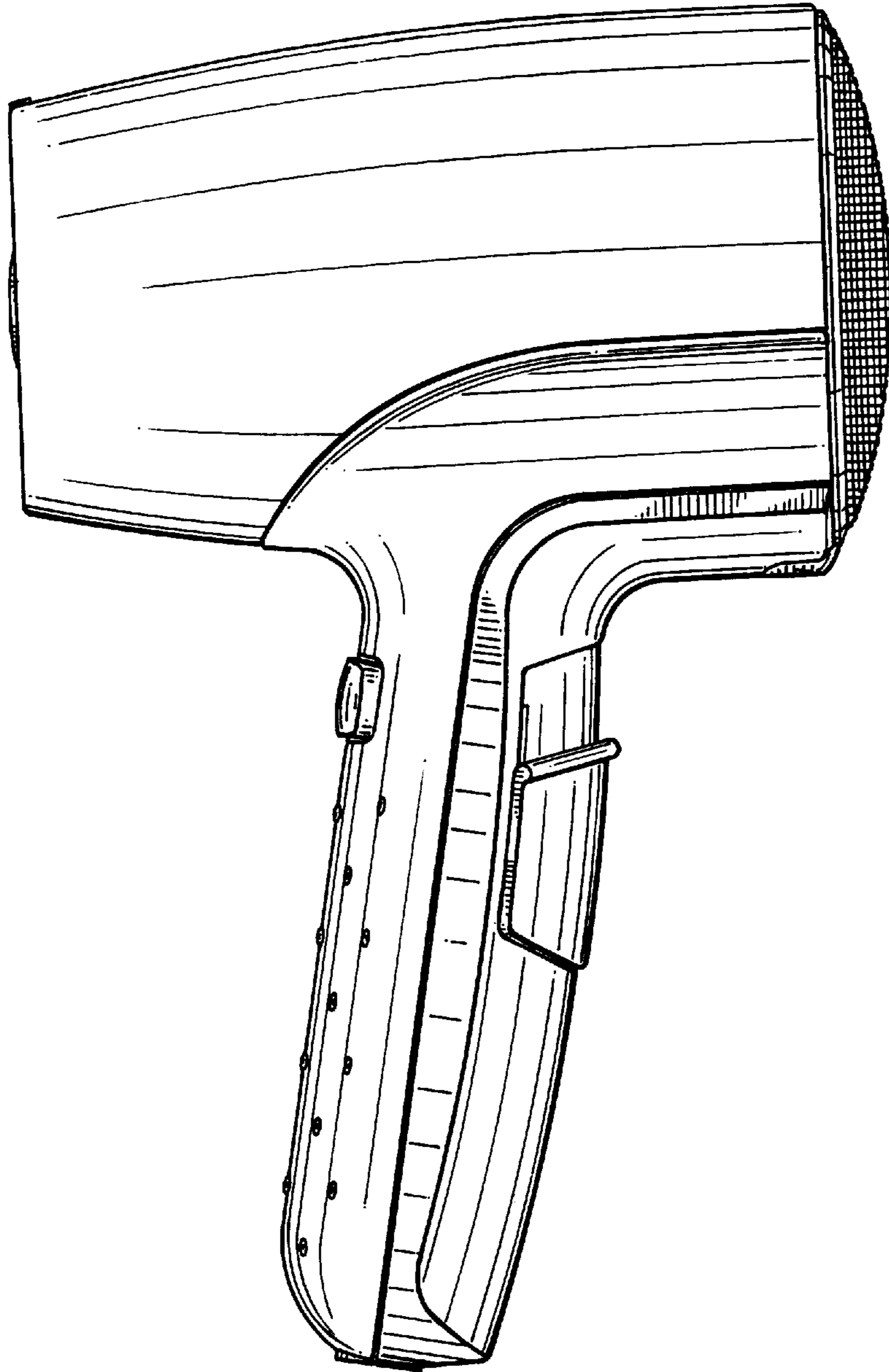


FIG. 2

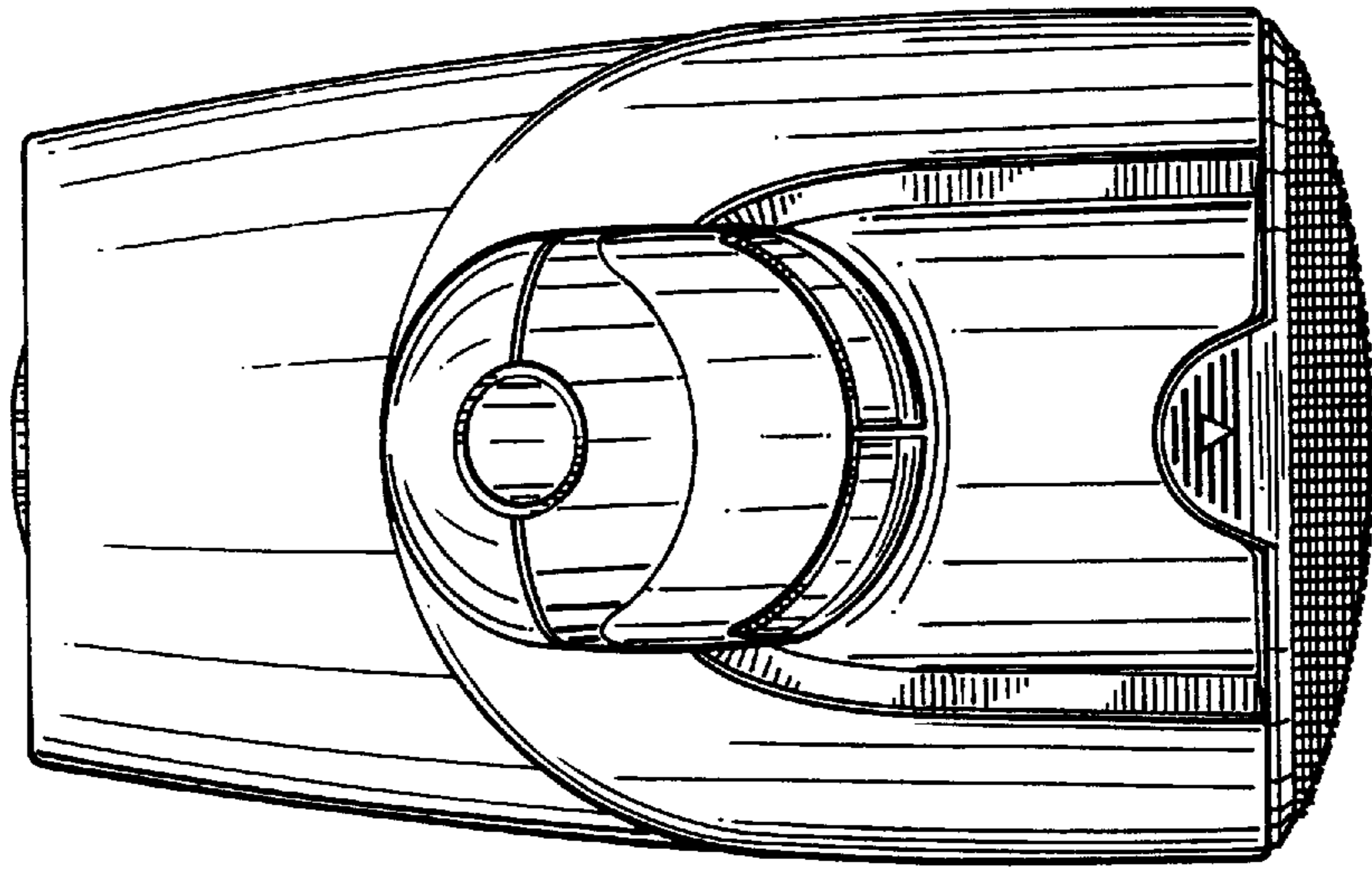


FIG. 4

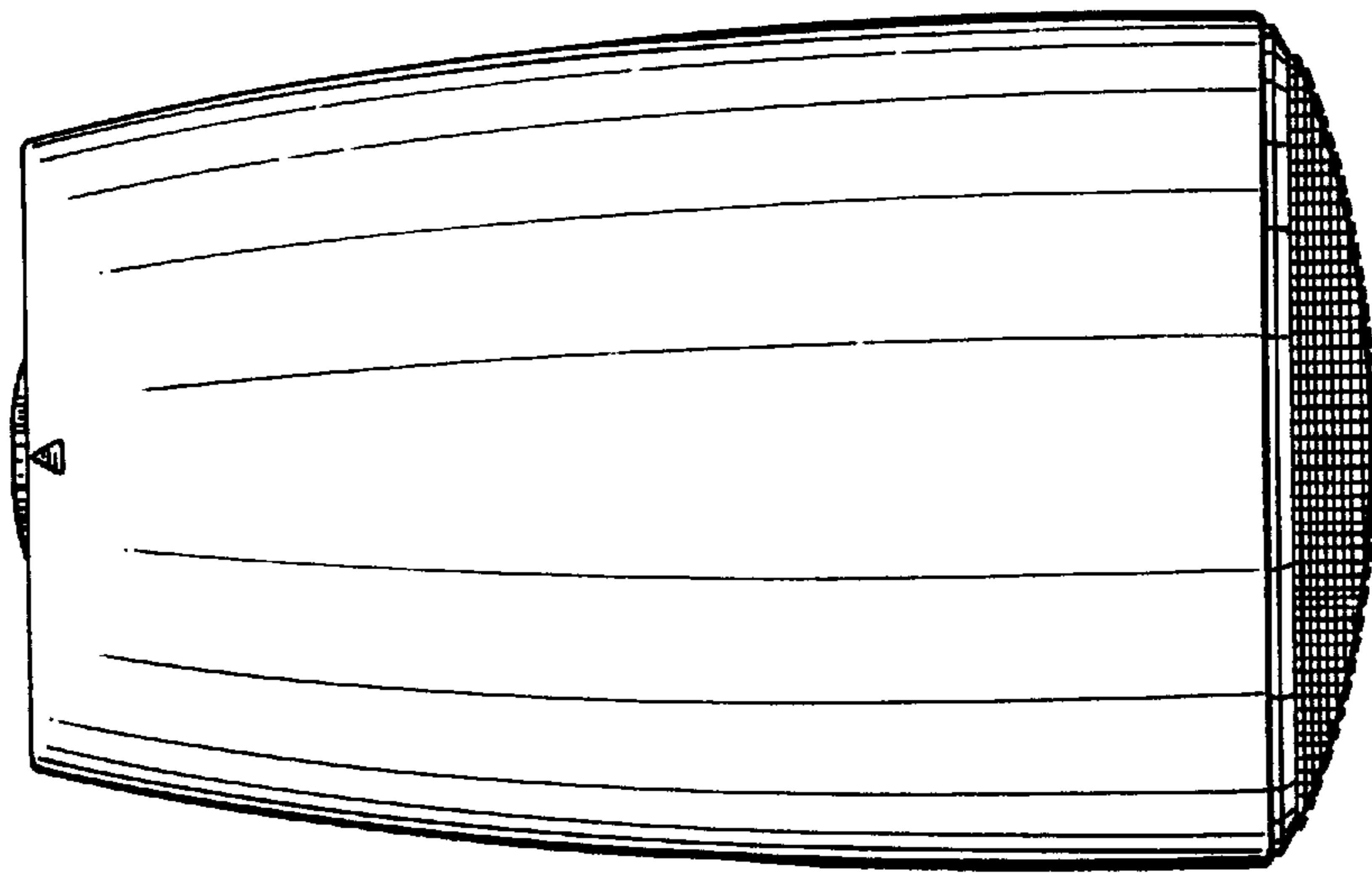


FIG. 3

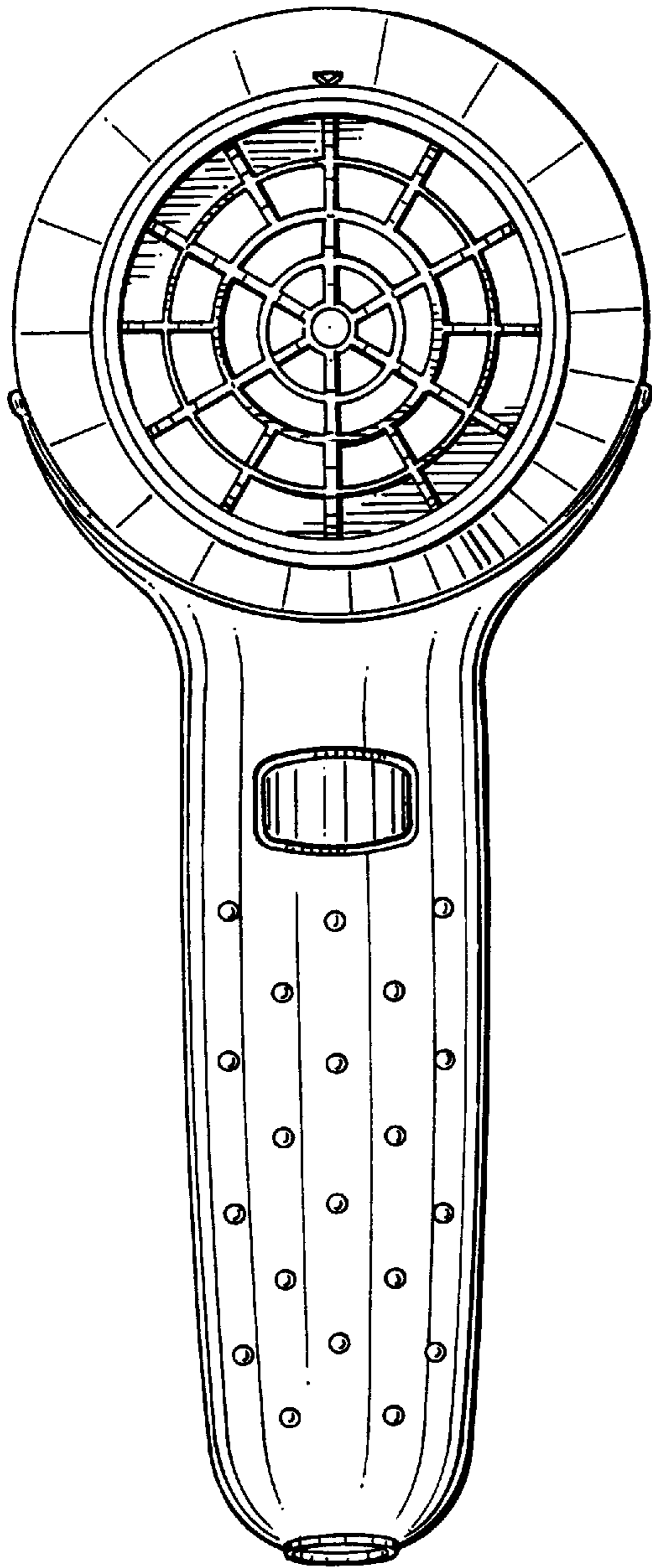


FIG. 5

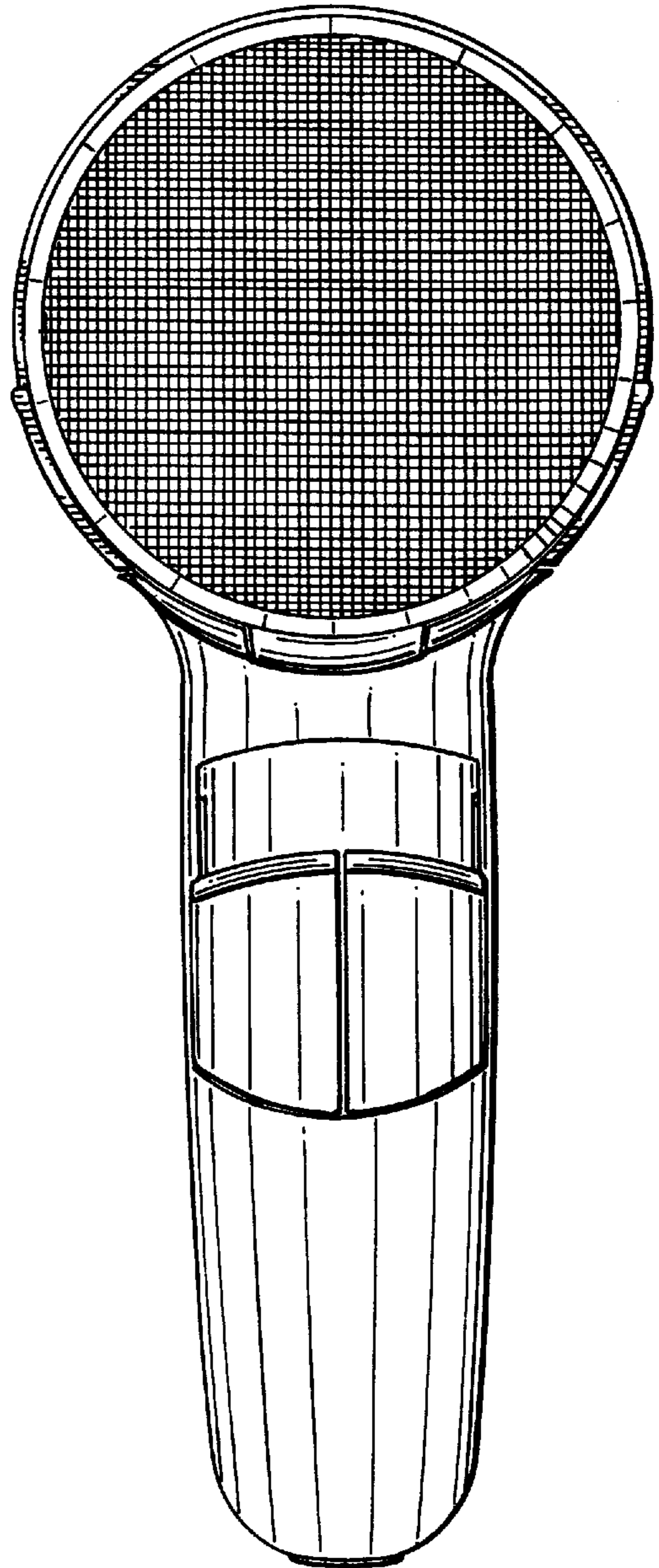


FIG. 6