



US00D398713S

# United States Patent [19] Poosikian

[11] **Patent Number: Des. 398,713**

[45] **Date of Patent: \*\*Sep. 22, 1998**

[54] **GOLF/CIGAR TOOL**

1,061,236 5/1913 Fuller ..... 30/113  
5,643,114 7/1997 Marcus ..... 473/408

[75] Inventor: **Timothy Poosikian**, Cresskill, N.J.

[73] Assignee: **Biltmore Products Inc.**, Cresskill, N.J.

[\*\*] Term: **14 Years**

*Primary Examiner*—Susan J. Lucas  
*Assistant Examiner*—Jennifer Rivard  
*Attorney, Agent, or Firm*—Bryan, Levitin & Bab, LLP

[21] Appl. No.: **78,593**

[22] Filed: **Oct. 14, 1997**

[57] **CLAIM**

The ornamental design for a golf/cigar tool, as shown and described.

[51] **LOC (6) Cl.** ..... **27-99**

[52] **U.S. Cl.** ..... **D27/195; D21/234**

[58] **Field of Search** ..... D27/194, 195;  
D21/234; 30/109, 110, 111, 112, 113; 131/248,  
249, 250, 251, 252, 253, 254; 473/408,  
286

**DESCRIPTION**

FIG. 1 is a top view of a golf/cigar tool showing my new design, the bottom plan view being a mirror image thereof; FIG. 2 is a left side elevation view thereof; FIG. 3 is a right side elevation view thereof; FIG. 4 is a front elevation view thereof in a fully opened position, the rear elevation view being a mirror image thereof; and, FIG. 5 is a top, front and left side perspective view thereof in a fully opened position.

[56] **References Cited**

**U.S. PATENT DOCUMENTS**

D. 331,090 11/1992 Cellura ..... D21/234  
D. 387,409 12/1997 Cole, Jr. .... D21/234

**1 Claim, 2 Drawing Sheets**

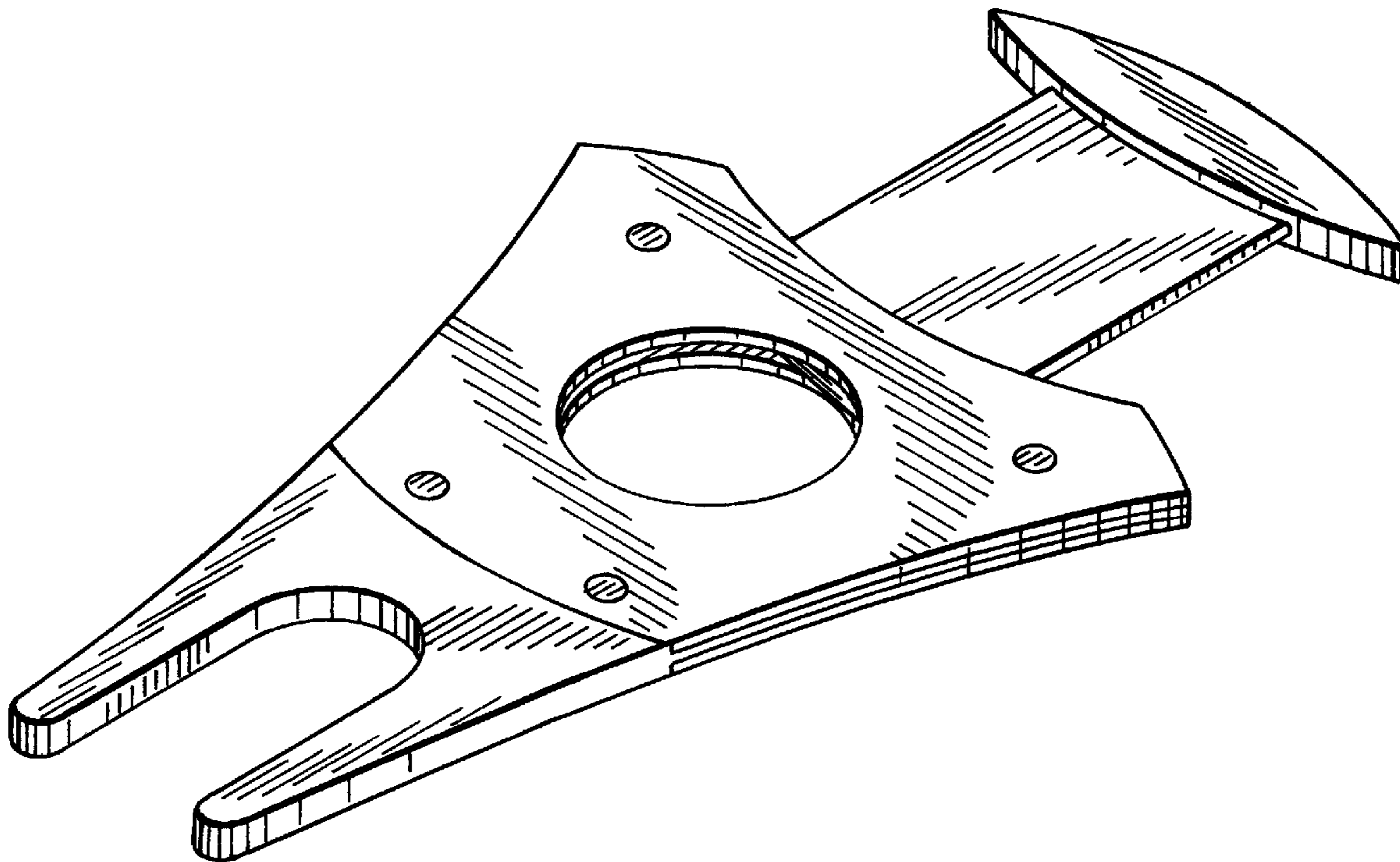


FIG. 1

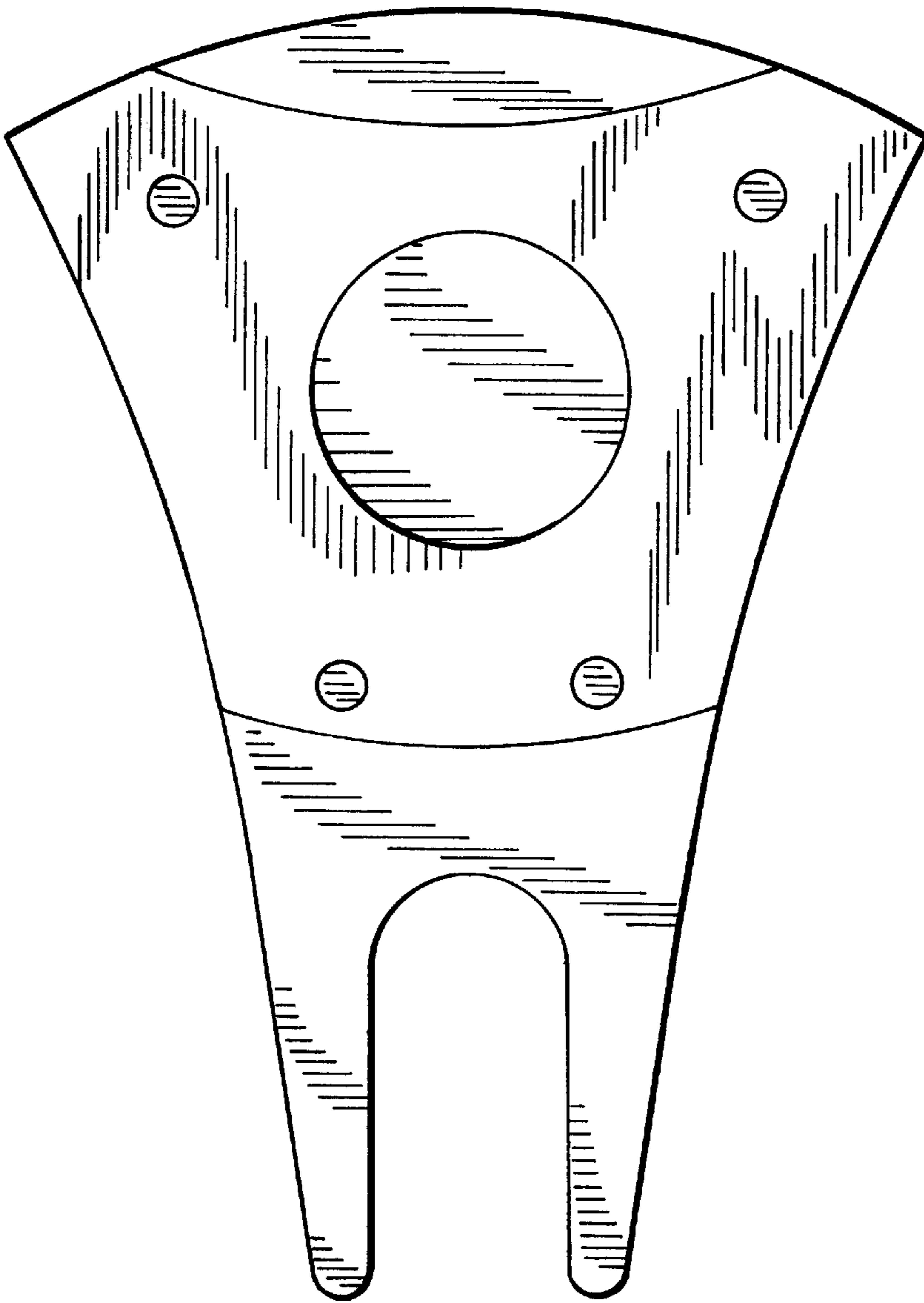


FIG. 3

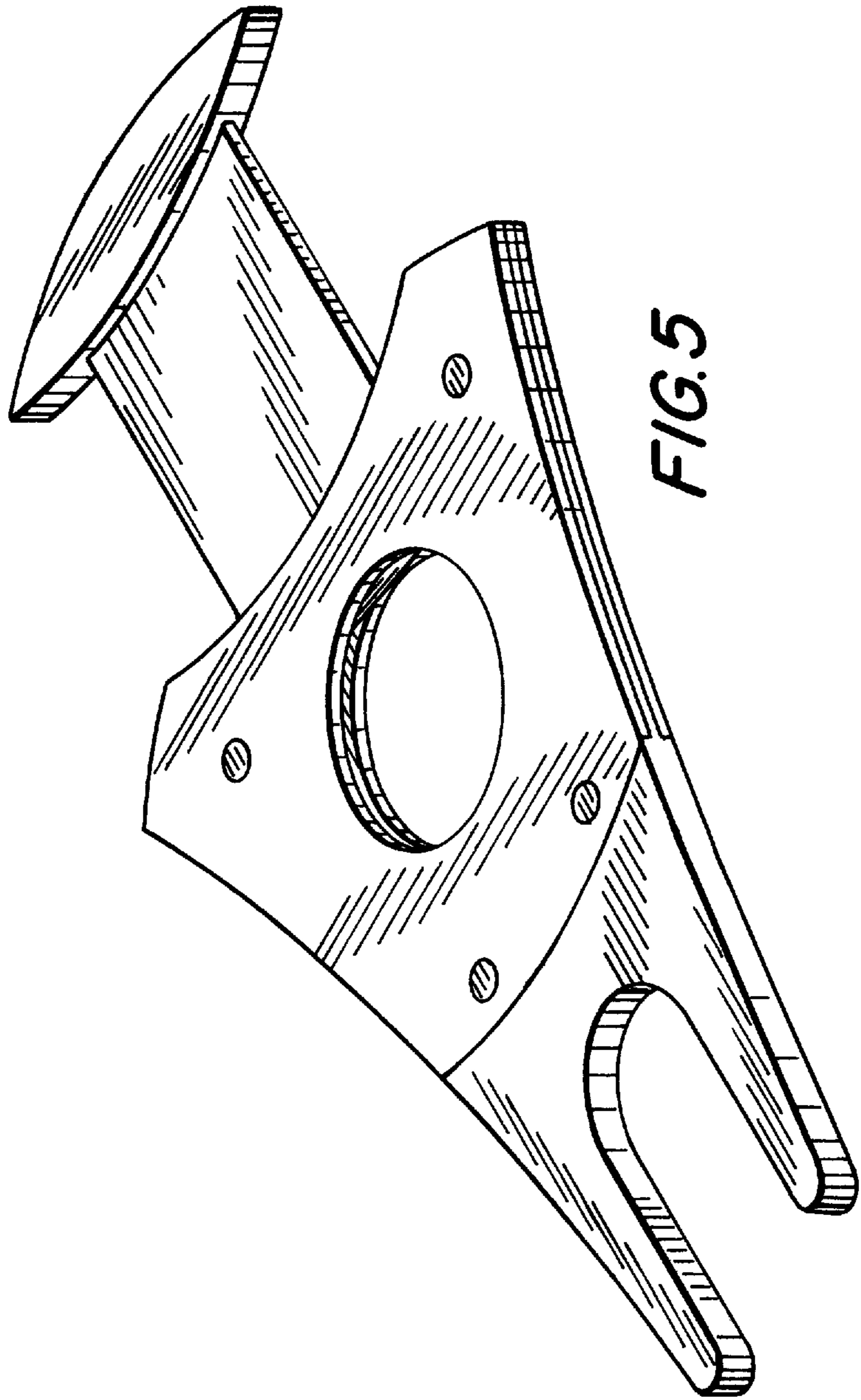


FIG. 2





*FIG. 4*



*FIG. 5*