



US00D398707S

**United States Patent** [19]  
**Montooth**

[11] **Patent Number: Des. 398,707**

[45] **Date of Patent: \*\*Sep. 22, 1998**

[54] **SCHOOL BUS BABY GATE**

*Primary Examiner*—Doris Clark

[76] Inventor: **Sharon Montooth**, 13 Torregata Loop,  
San Jose, Calif. 95134

[57] **CLAIM**

[\*\*] Term: **14 Years**

The ornamental design for a school bus baby gate, as shown and described.

[21] Appl. No.: **79,165**

**DESCRIPTION**

[22] Filed: **Oct. 27, 1997**

FIG. 1 is an exploded front elevational view of the school bus baby gate showing my new design which includes windows to hold pictures to be inserted by a user;

[51] **LOC (6) Cl. .... 25-02**

[52] **U.S. Cl. .... D25/50**

FIG. 2 is an exploded rear elevational view thereof;

[58] **Field of Search .... D25/50; 49/50,**

49/55, 57

FIG. 3 is a right side view thereof;

FIG. 4 is a left side view thereof;

FIG. 5 is an exploded top plan view thereof;

FIG. 6 is an exploded bottom plan view thereof; and,

FIG. 7 is an exploded perspective view thereof.

[56] **References Cited**

**U.S. PATENT DOCUMENTS**

- D. 301,622 6/1989 Kujawski ..... D25/50
- 942,502 12/1909 Jablonovsky ..... 49/55

**1 Claim, 4 Drawing Sheets**

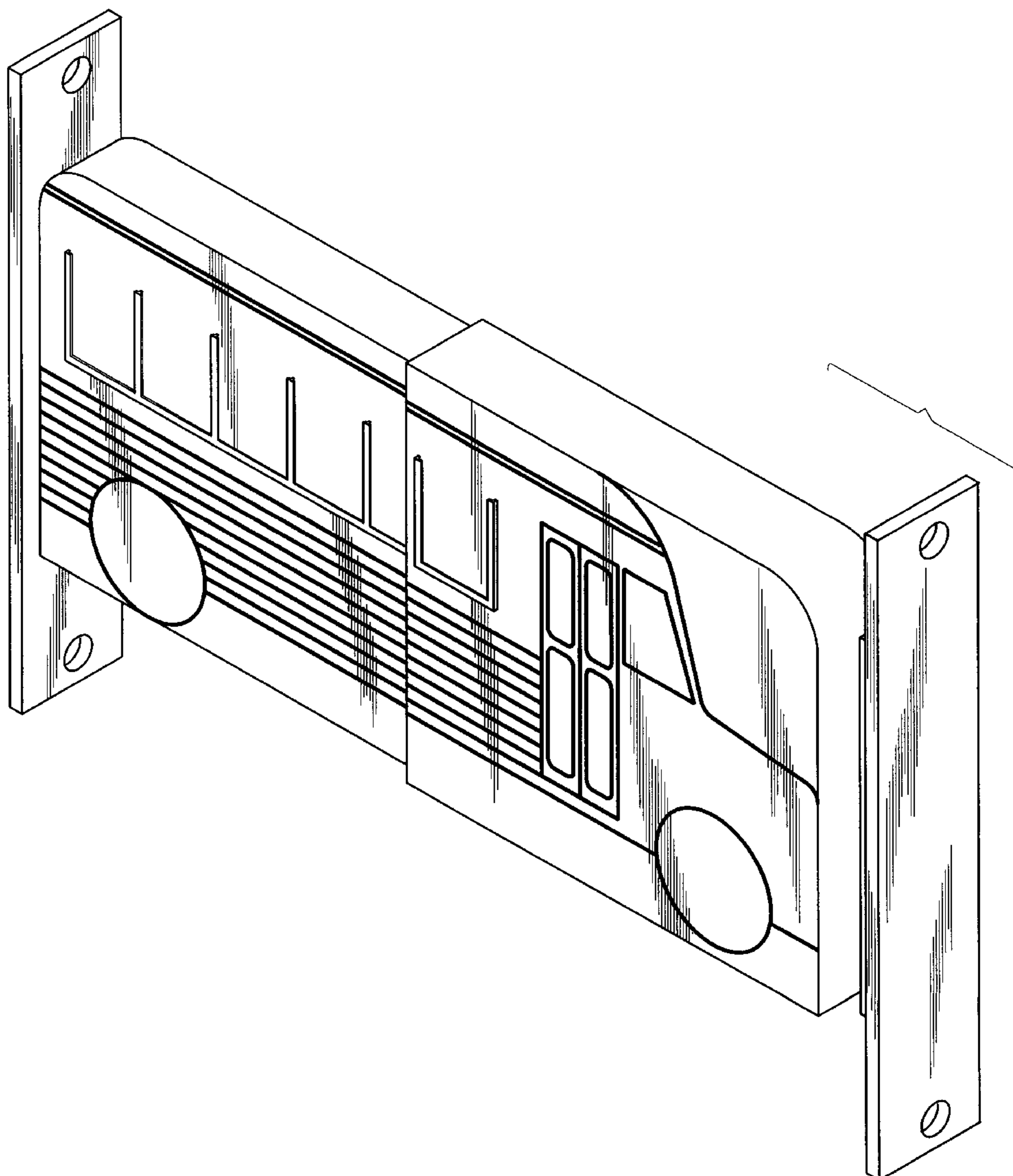


FIG. 1

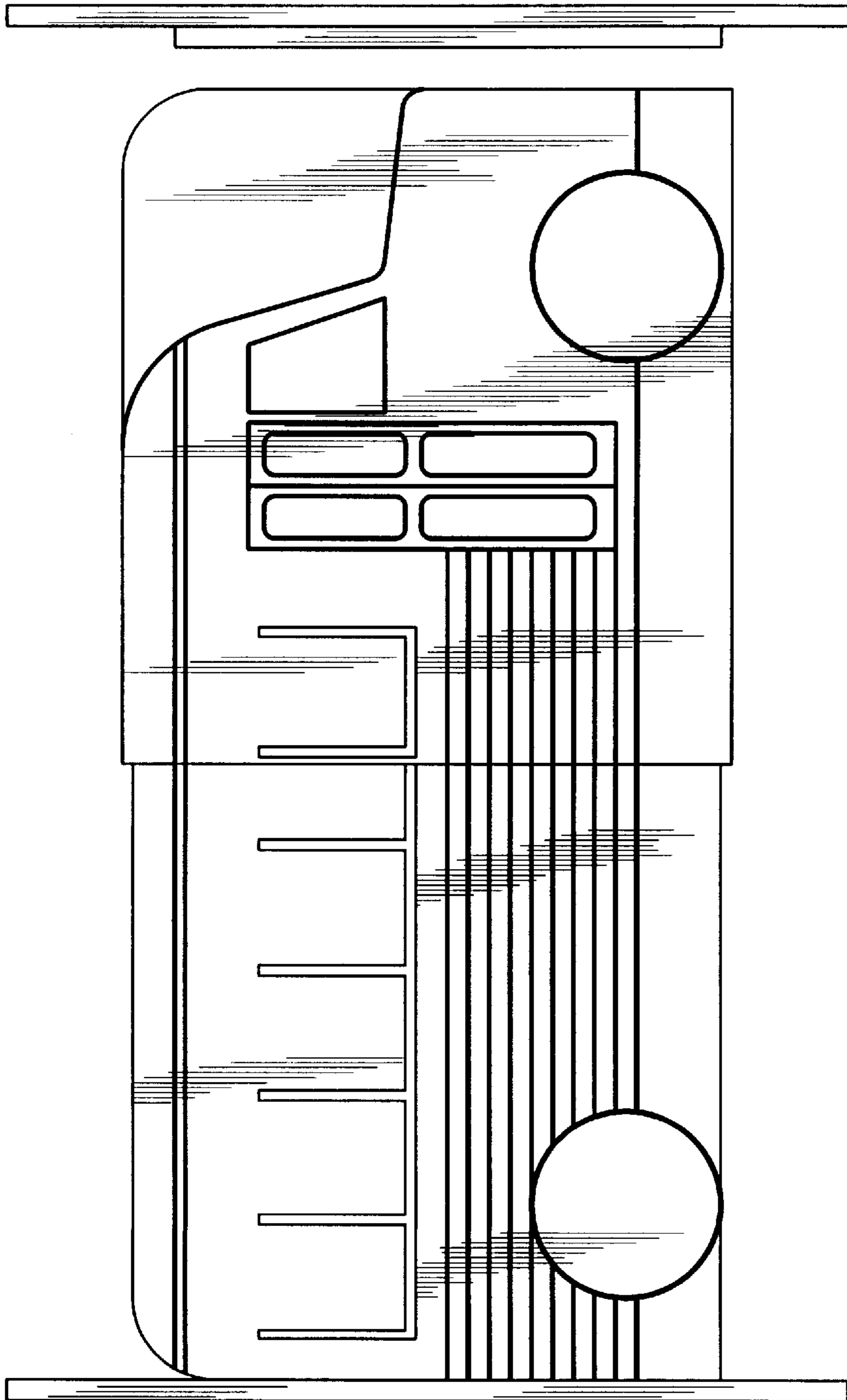


FIG. 2



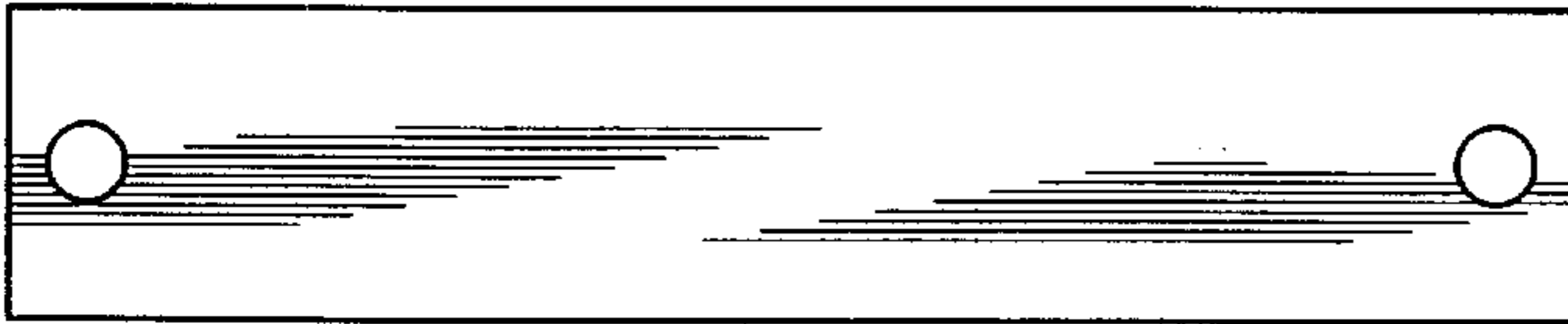


FIG. 3

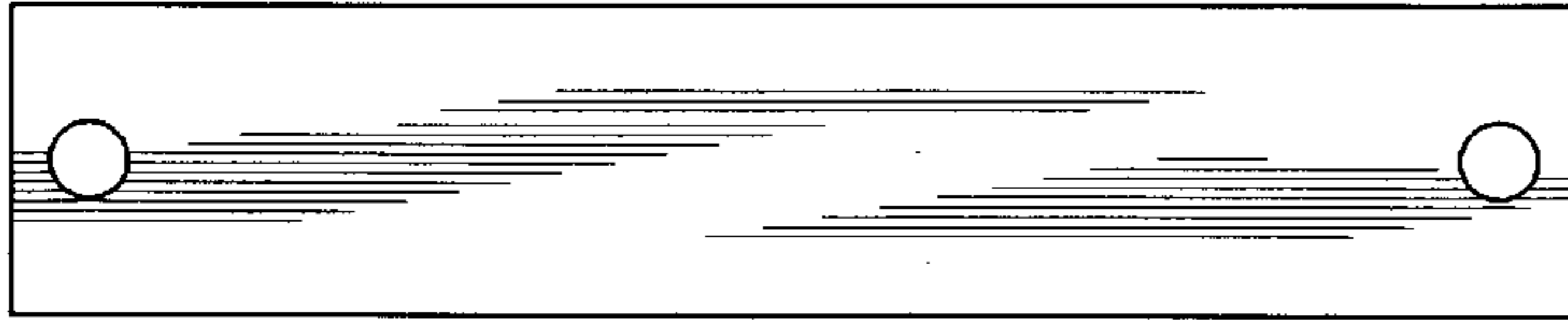


FIG. 4

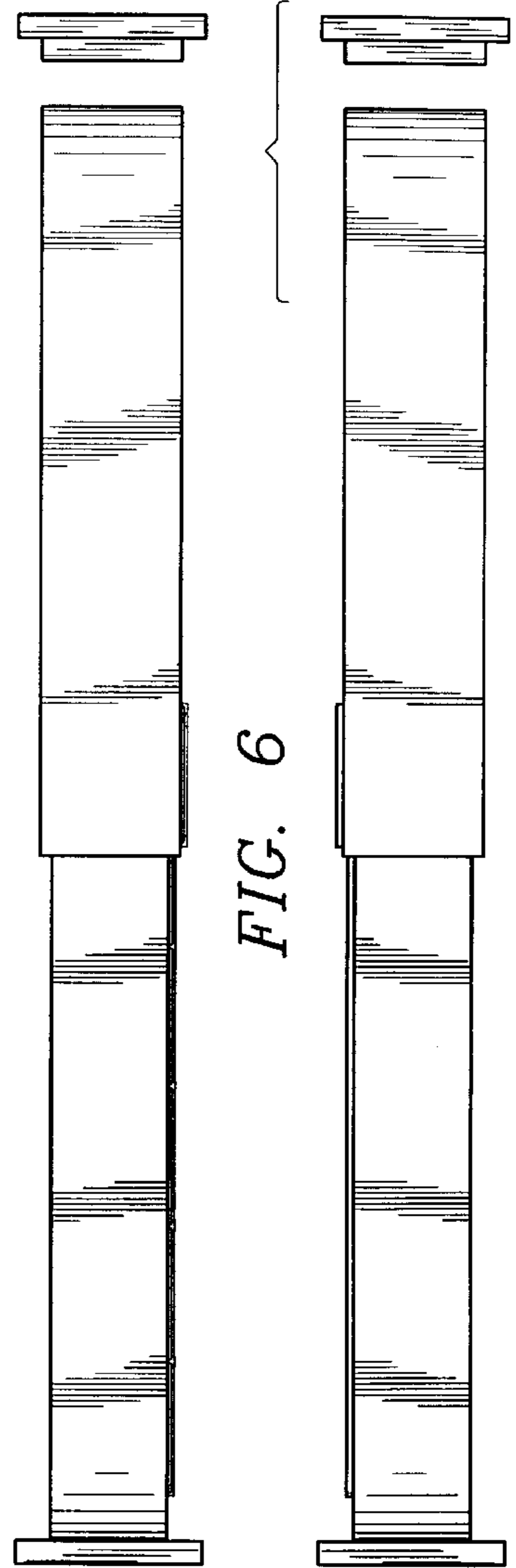


FIG. 5

FIG. 6

FIG. 7

