



US00D398705S

United States Patent [19] Tourigny

[11] **Patent Number: Des. 398,705**

[45] **Date of Patent: **Sep. 22, 1998**

[54] **SPRAY VALVE HEAD**

[75] Inventor: **Robert P. Tourigny**, Smithfield, R.I.

[73] Assignee: **Electron Fusion Devices, Inc.**, East Providence, R.I.

[**] Term: **14 Years**

[21] Appl. No.: **74,192**

[22] Filed: **Jul. 28, 1997**

[51] **LOC (6) Cl.** **23-01**

[52] **U.S. Cl.** **D23/233**

[58] **Field of Search** D23/233-237,
D23/244-249; 137/382; 251/257, 263, 297,
89

[56] **References Cited**

U.S. PATENT DOCUMENTS

31,715	10/1861	Kenney	D23/233
D. 138,599	8/1944	Rea	D23/233
D. 341,187	11/1993	Stackowiak	D23/233

801,360	10/1905	Christensen	.
2,895,686	7/1959	Peeps	.
3,227,378	1/1966	Stewart	.
4,076,173	2/1978	Tacon et al.	.
4,228,958	10/1980	Perry	.
5,292,068	3/1994	Rateman et al.	.
5,344,078	9/1994	Fritz et al.	.

Primary Examiner—Marcus A. Jackson
Attorney, Agent, or Firm—Salter & Michaelson

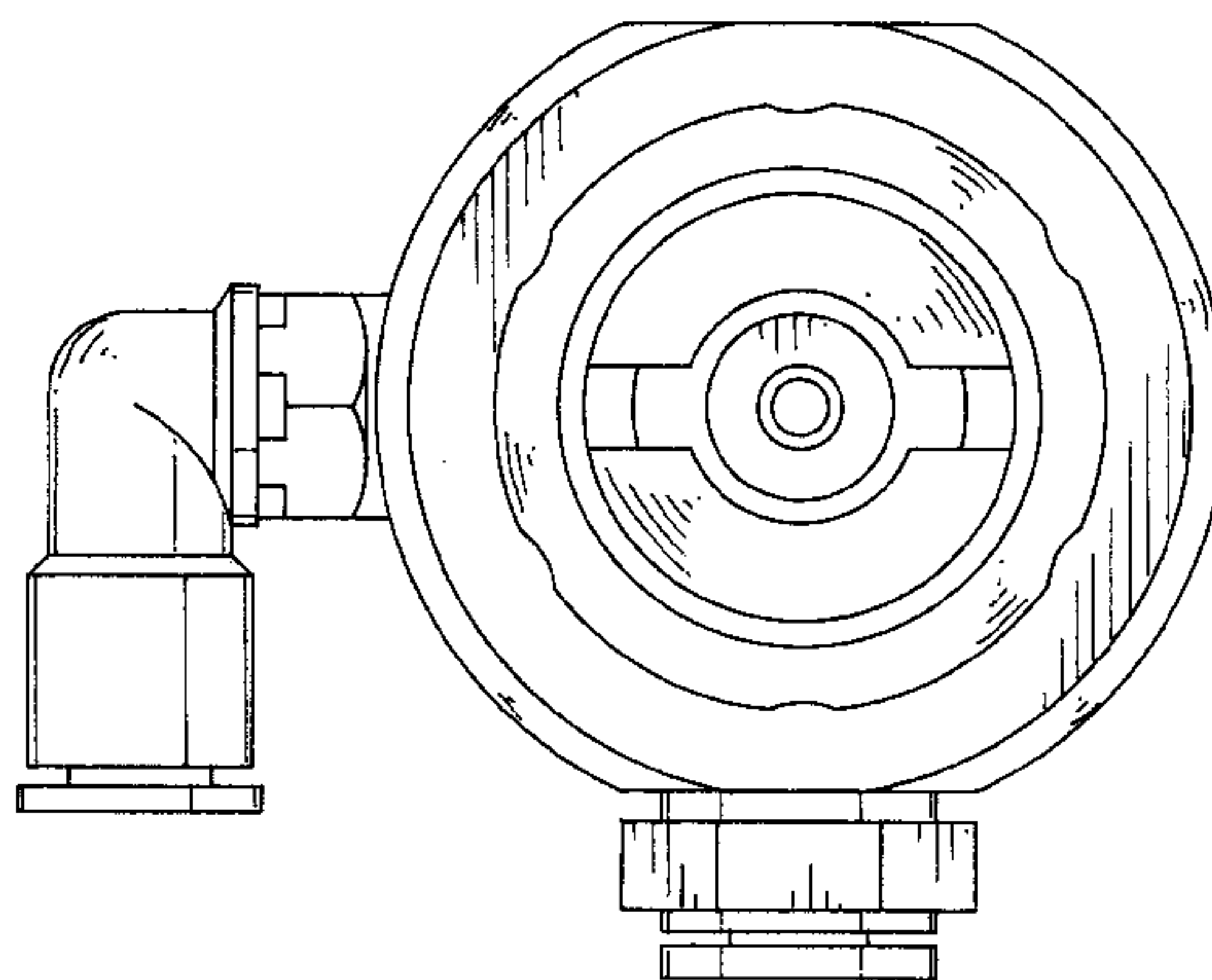
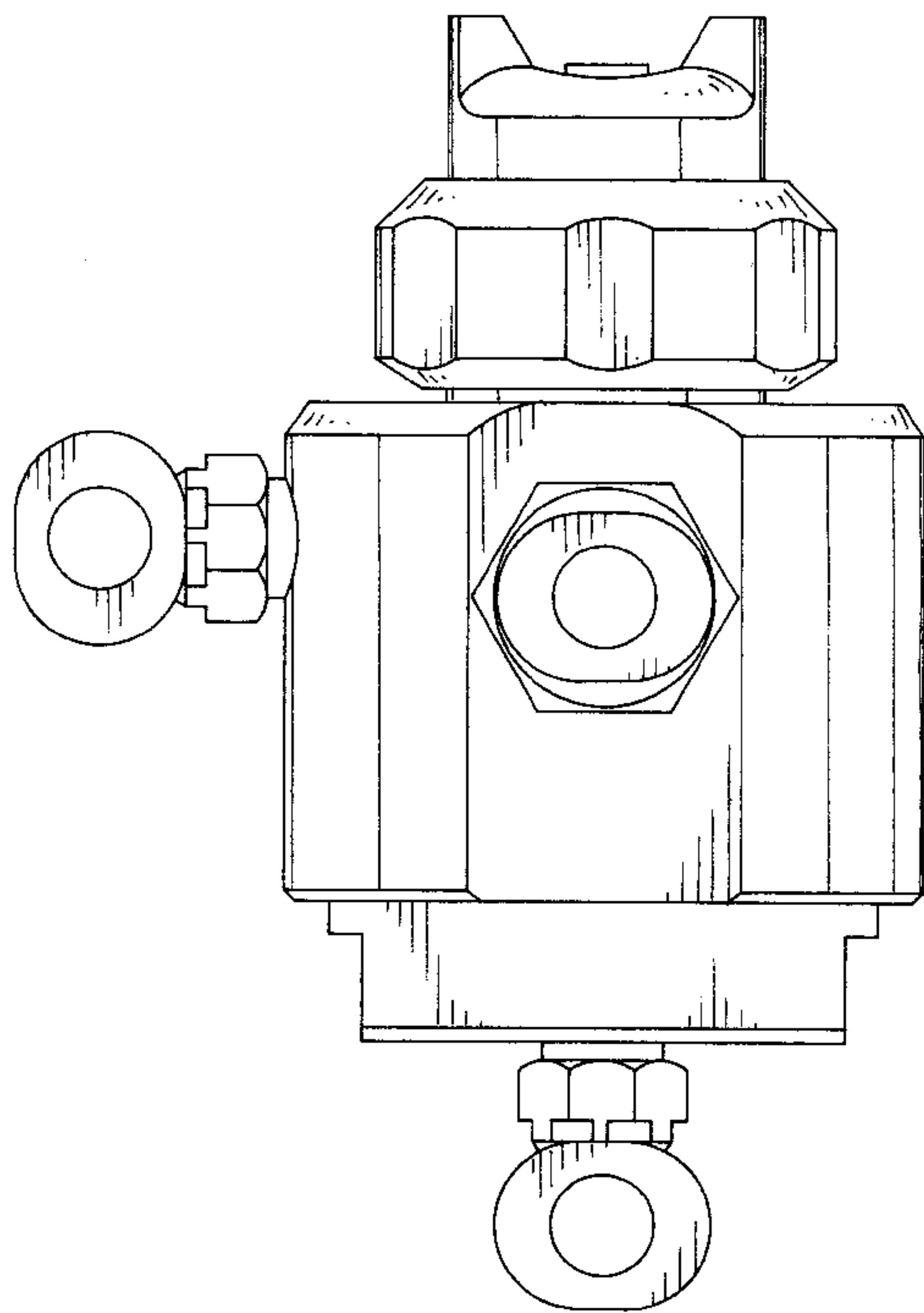
[57] **CLAIM**

The ornamental design for a spray valve head, as shown.

DESCRIPTION

FIG. 1 is a front elevational view of spray valve head showing my new design;
FIG. 2 is a rear elevational view thereof;
FIG. 3 is a left side elevational view thereof;
FIG. 4 is a right side elevational view thereof;
FIG. 5 is a top plan view thereof; and,
FIG. 6 is a bottom plan view thereof.

1 Claim, 5 Drawing Sheets



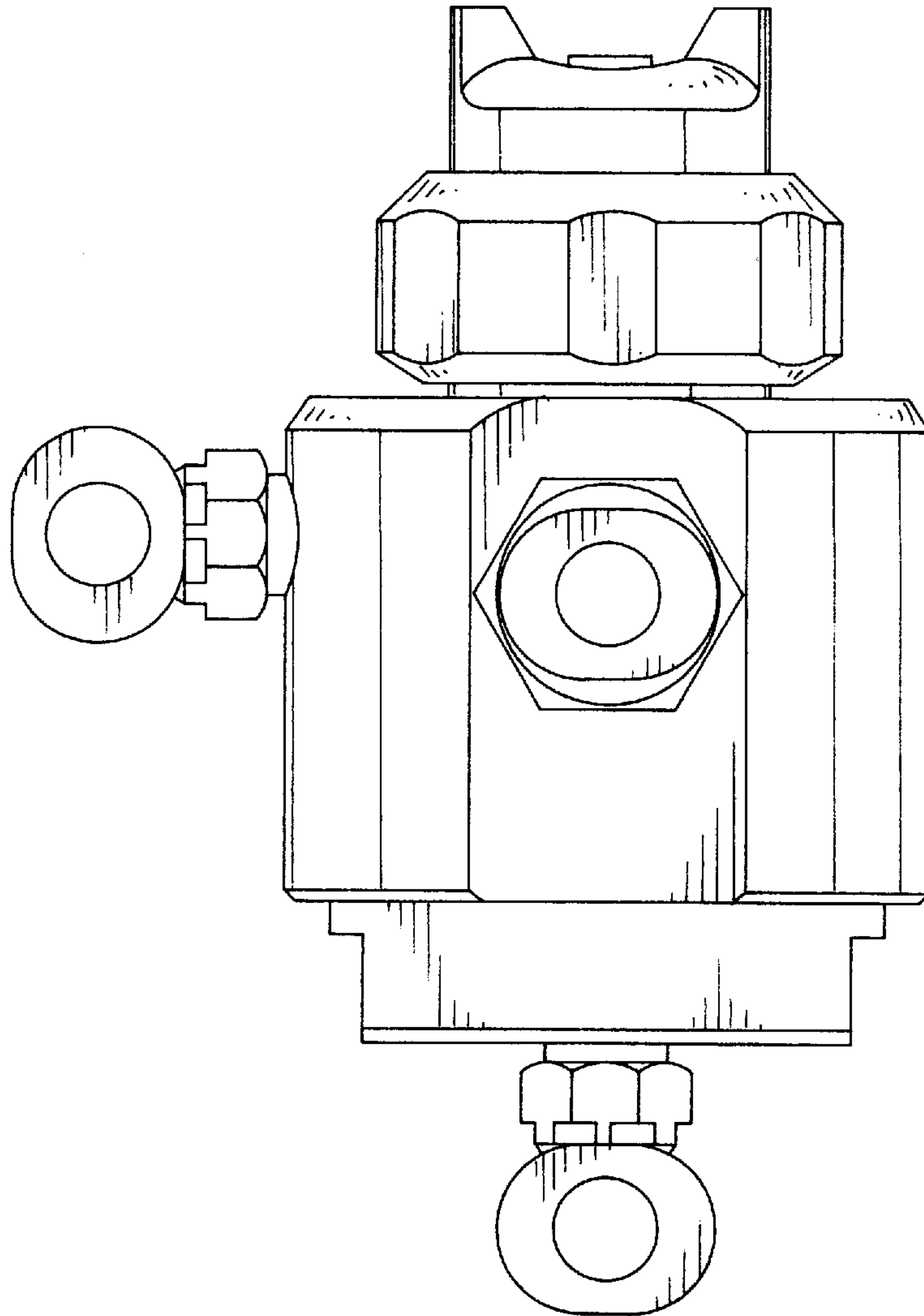


FIG. 1

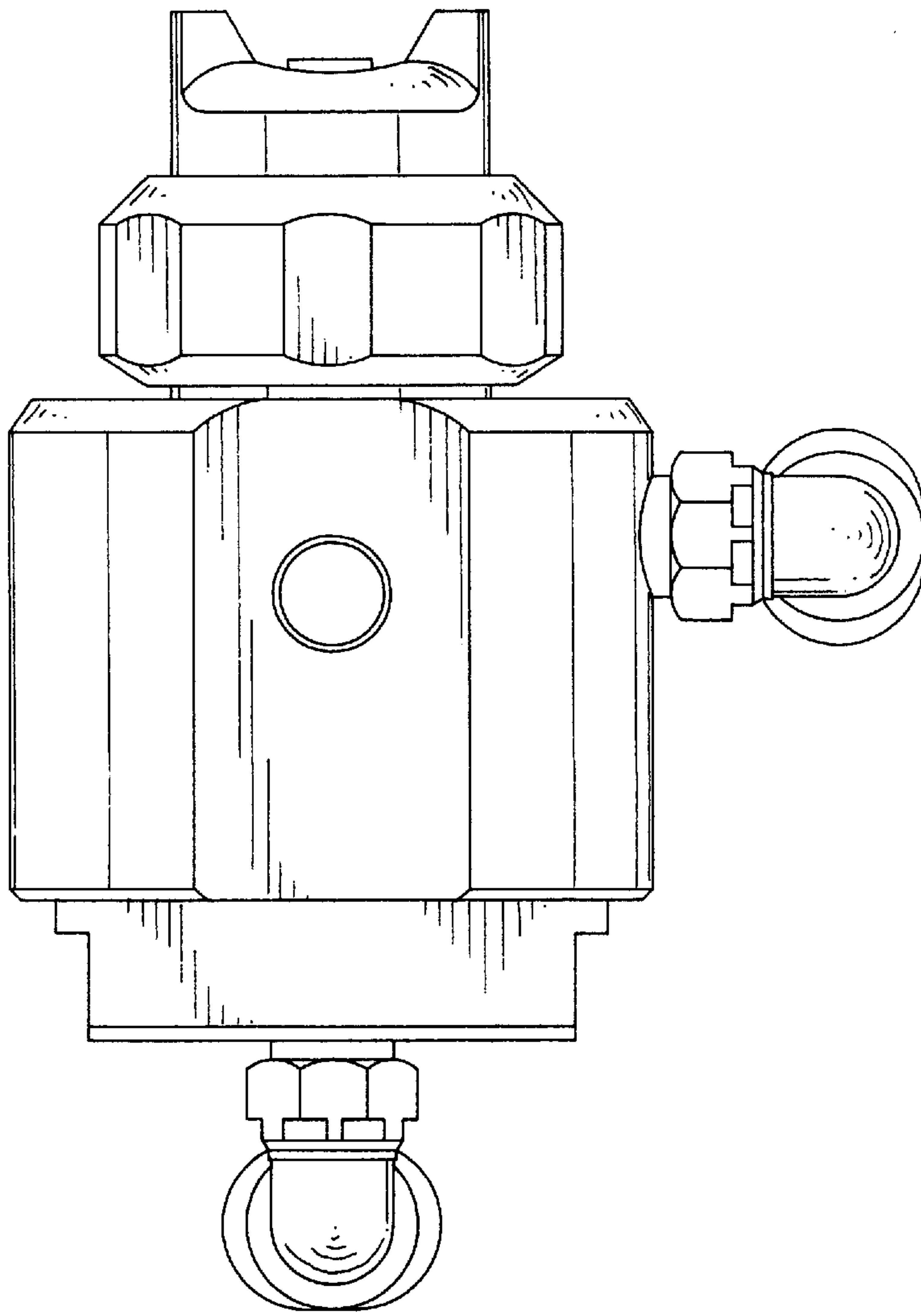


FIG. 2

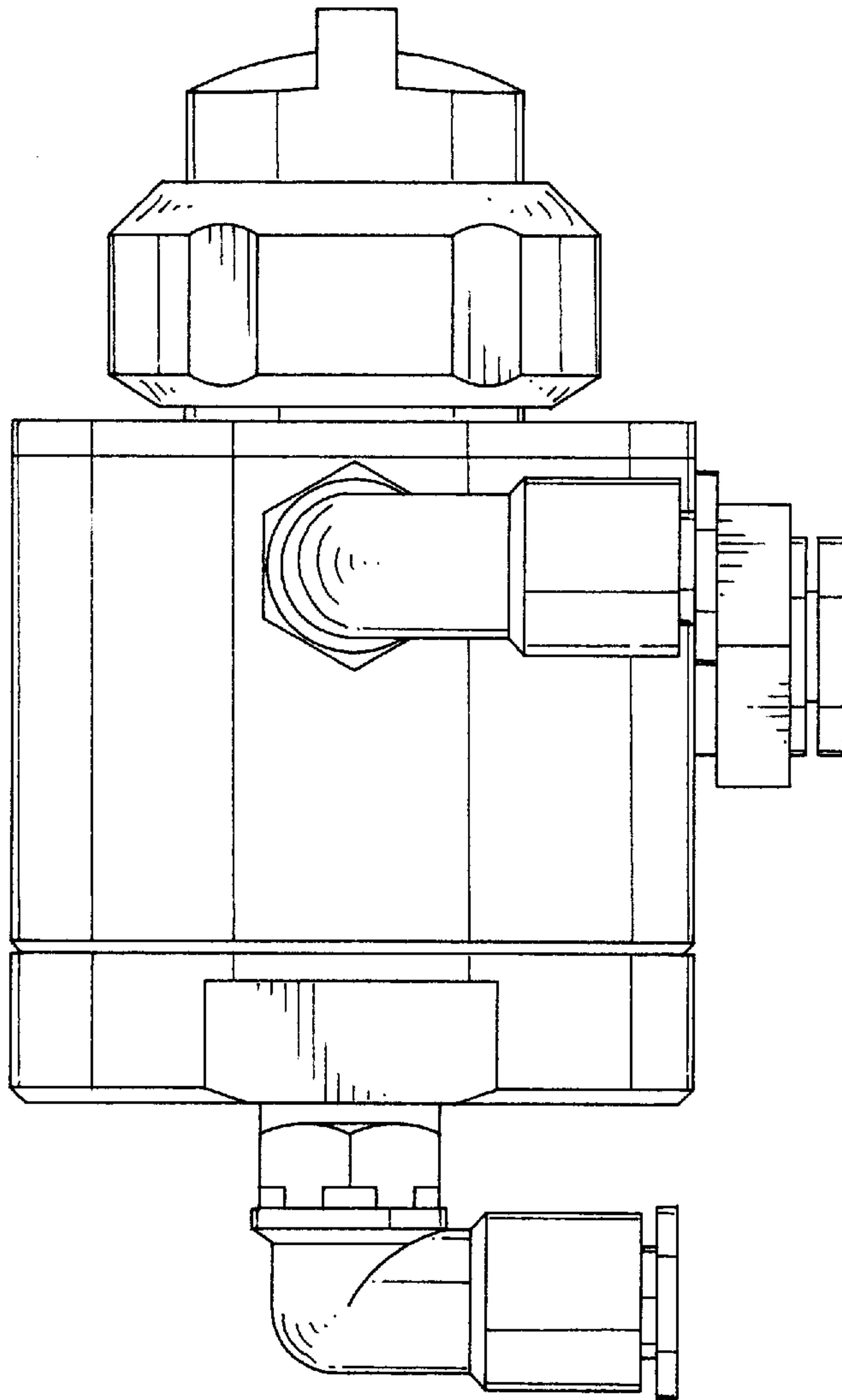


FIG. 3

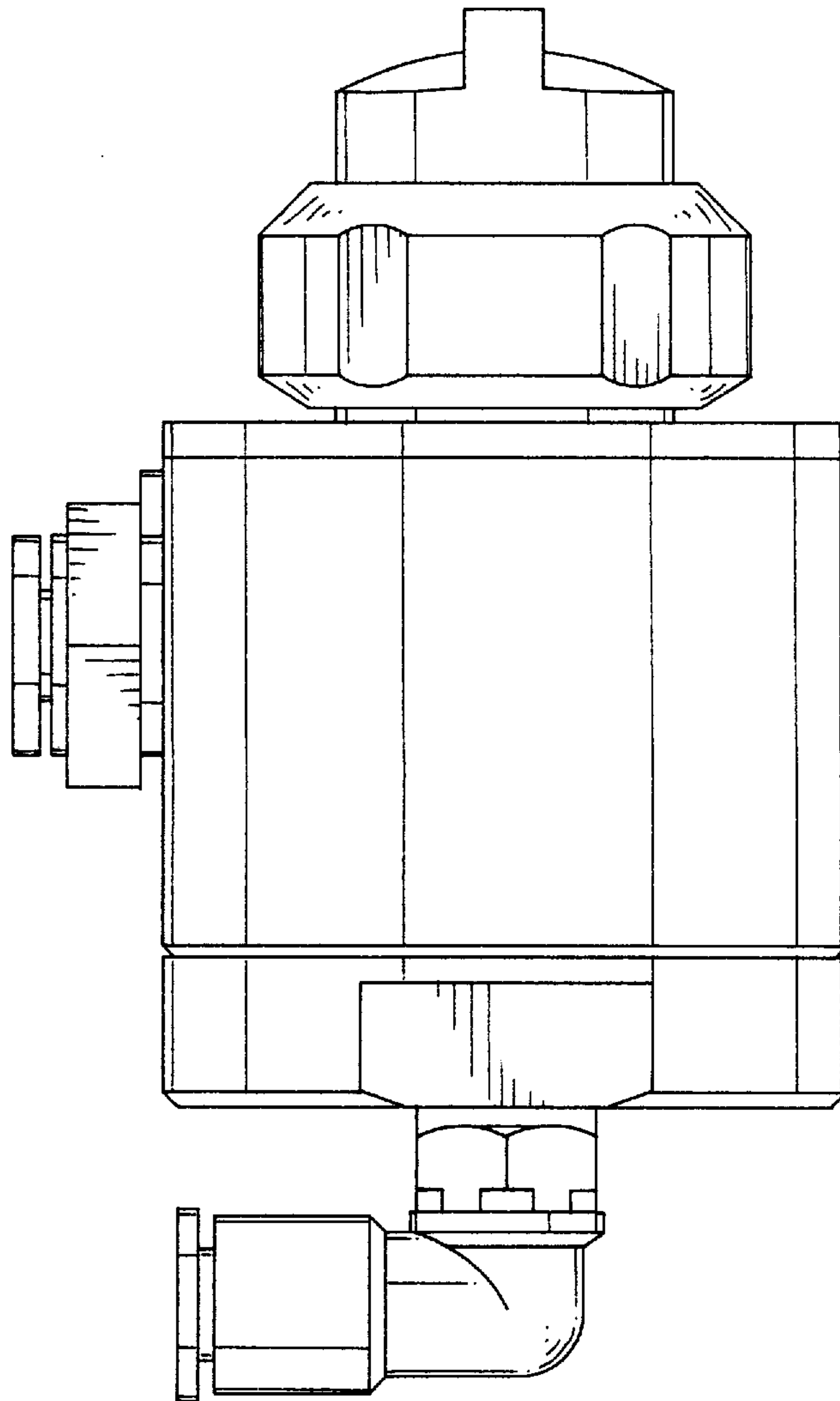


FIG. 4

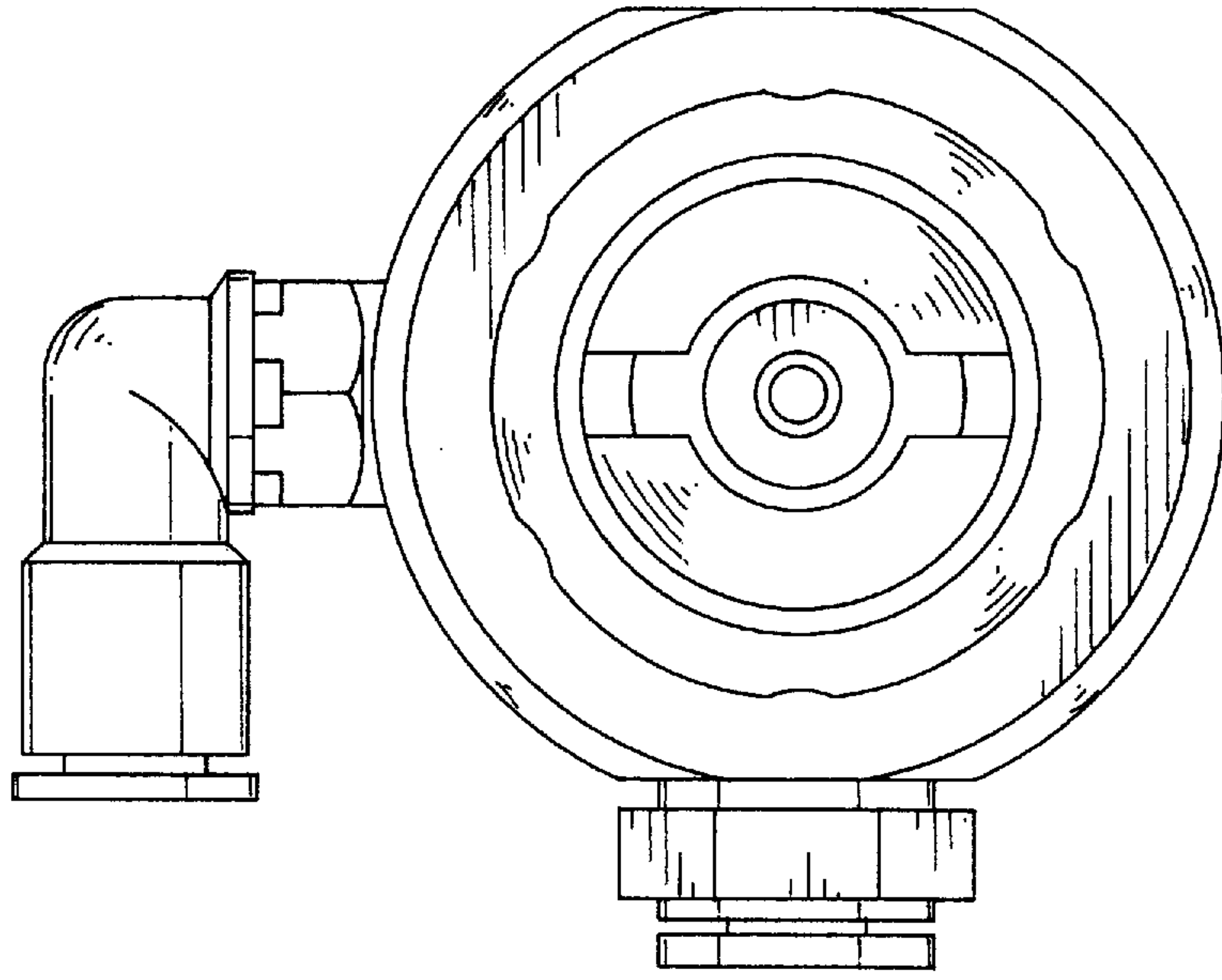


FIG. 5

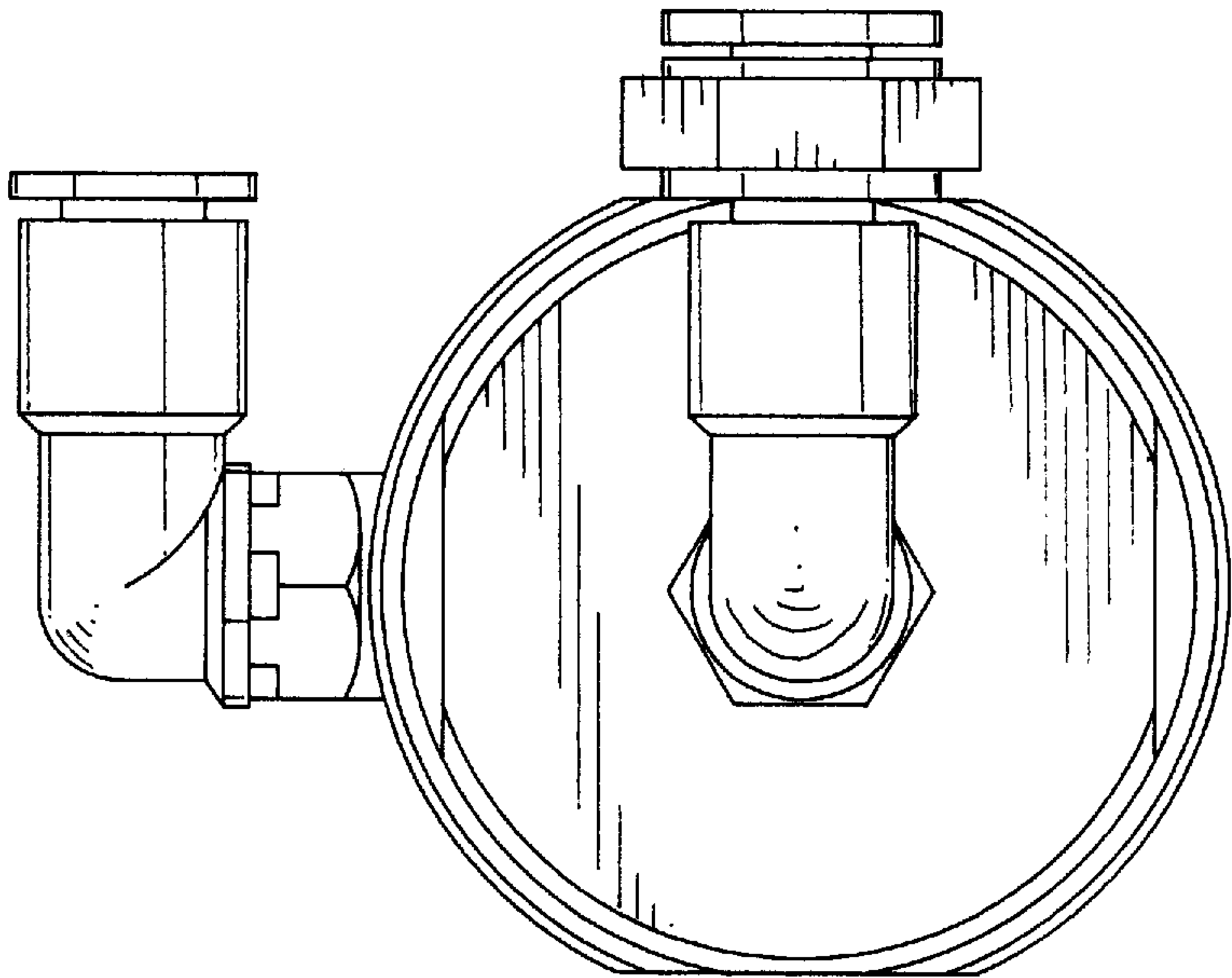


FIG. 6