



US00D398704S

United States Patent [19]
Randle

[11] **Patent Number: Des. 398,704**

[45] **Date of Patent: **Sep. 22, 1998**

[54] **GARDEN SPRAY SHIELD**

[76] Inventor: **John B. Randle**, 228 Shady Oaks Cir.,
Lake Mary, Fla. 32746

[**] Term: **14 Years**

[21] Appl. No.: **76,197**

[22] Filed: **Sep. 8, 1997**

[51] **LOC (6) Cl.** **23-01**

[52] **U.S. Cl.** **D23/227; D23/213**

[58] **Field of Search** **D23/213, 227,**
D23/200; 239/288, 288.3, 288.5, 103, 104,
120

[56] **References Cited**

U.S. PATENT DOCUMENTS

D. 356,361	3/1995	Feldt	D23/227
2,856,733	10/1958	Matthews	239/104
4,767,056	8/1988	Demetrius et al.	239/288
4,865,257	9/1989	Bailey	239/288.5

4,986,473	1/1991	Semple et al.	239/104
5,280,856	1/1994	Haggerty	239/288.5
5,344,076	9/1994	Mercurio	239/120

Primary Examiner—Alan P. Douglas
Assistant Examiner—Robin V. Taylor
Attorney, Agent, or Firm—William M. Hobby, III

[57] **CLAIM**

The ornamental design for a garden spray shield, as shown and described.

DESCRIPTION

FIG. 1 is a top left side perspective view of my new garden spray shield;
FIG. 2 is a bottom plan view;
FIG. 3 is a top plan view;
FIG. 4 is a front elevation;
FIG. 5 is a right side elevation;
FIG. 6 is a rear elevation; and,
FIG. 7 is left side elevation.

1 Claim, 1 Drawing Sheet

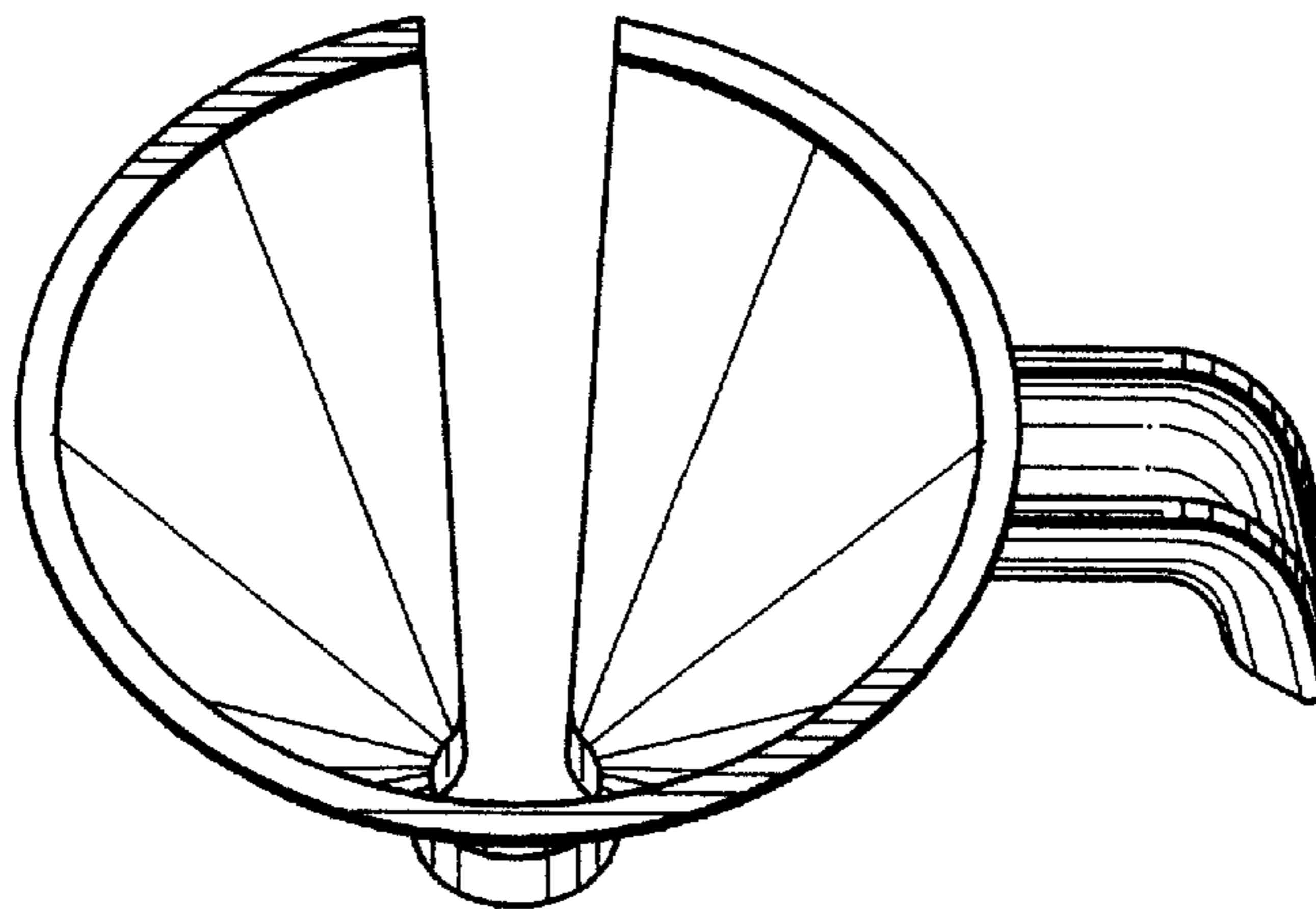


FIG. 1

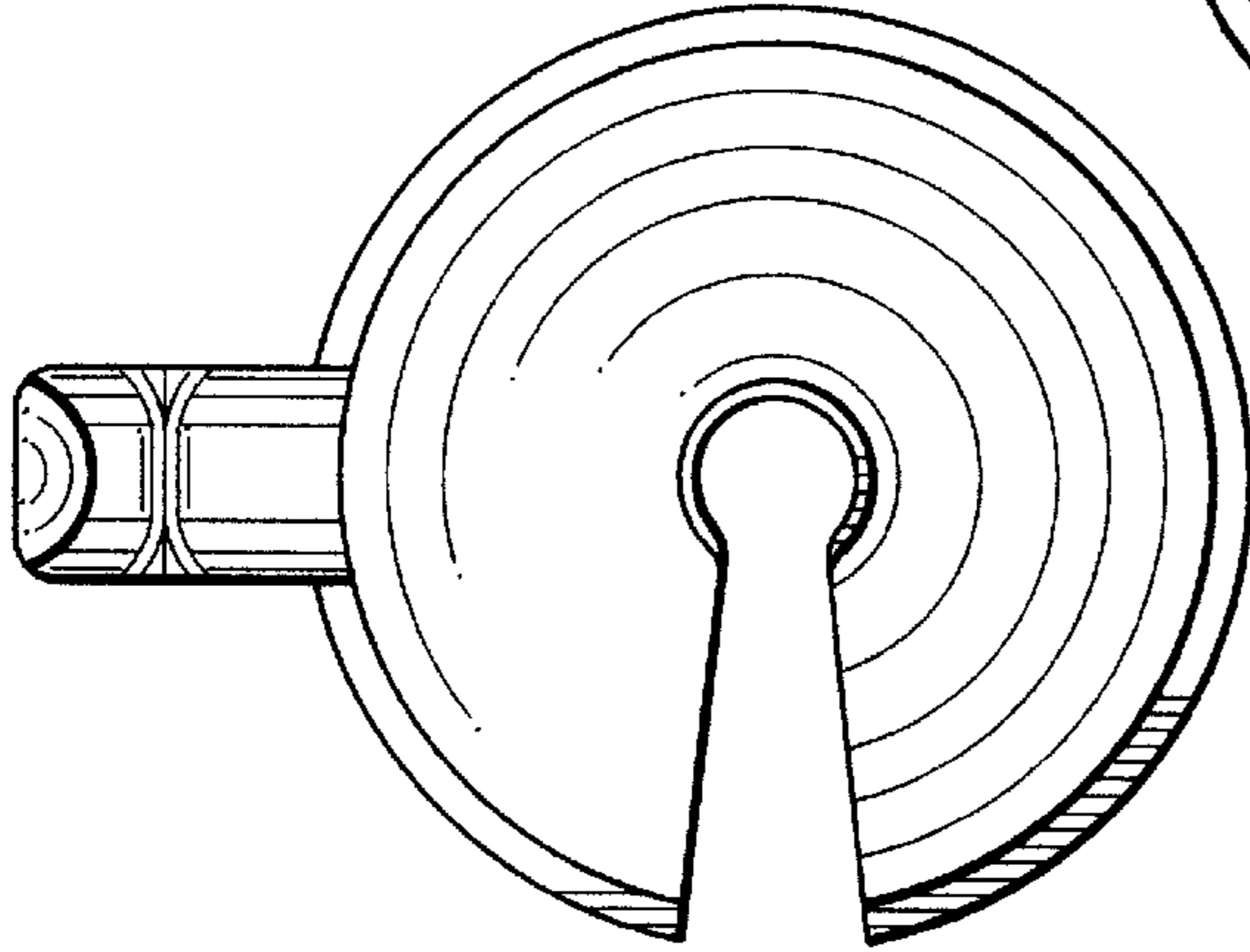
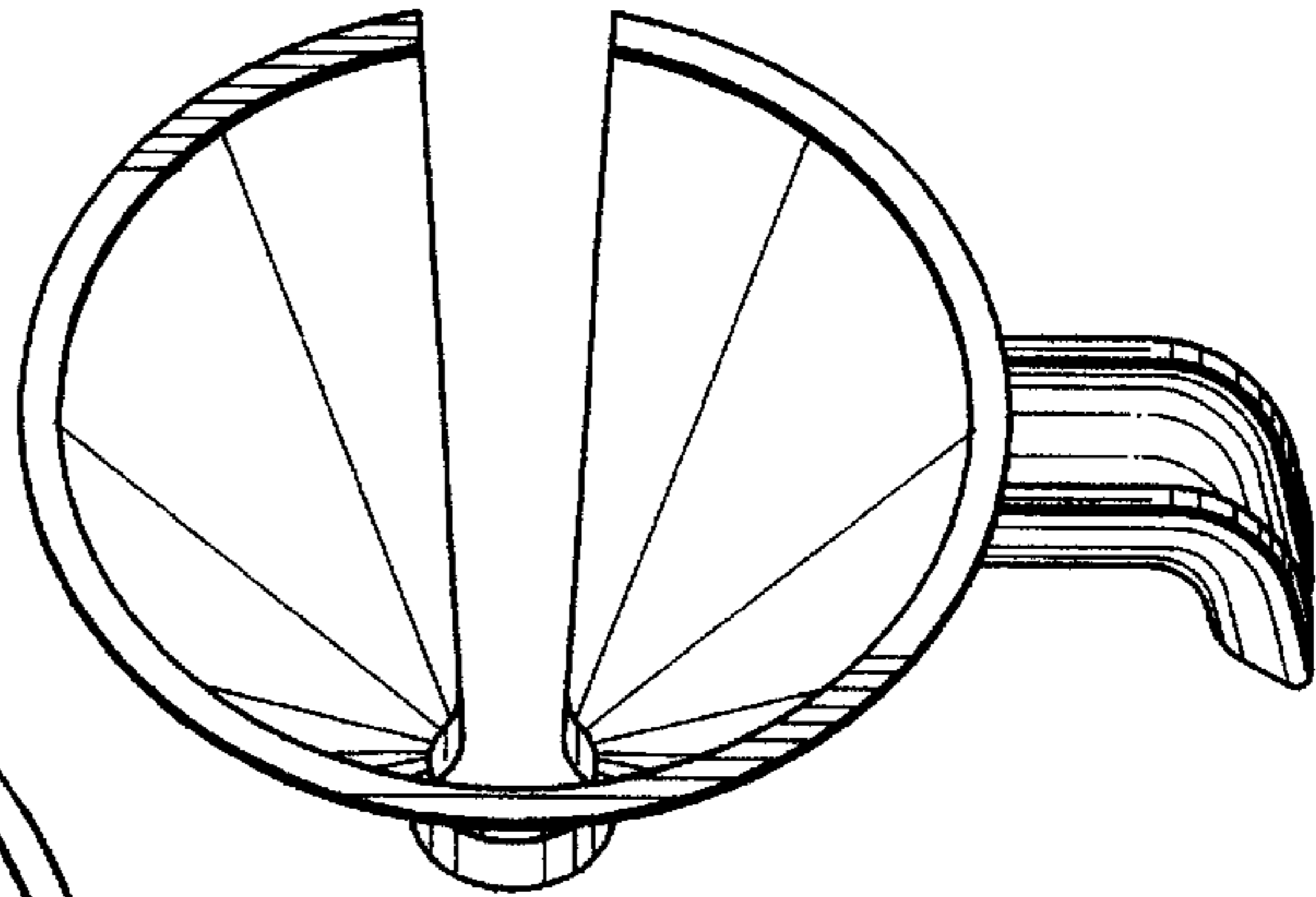


FIG. 2

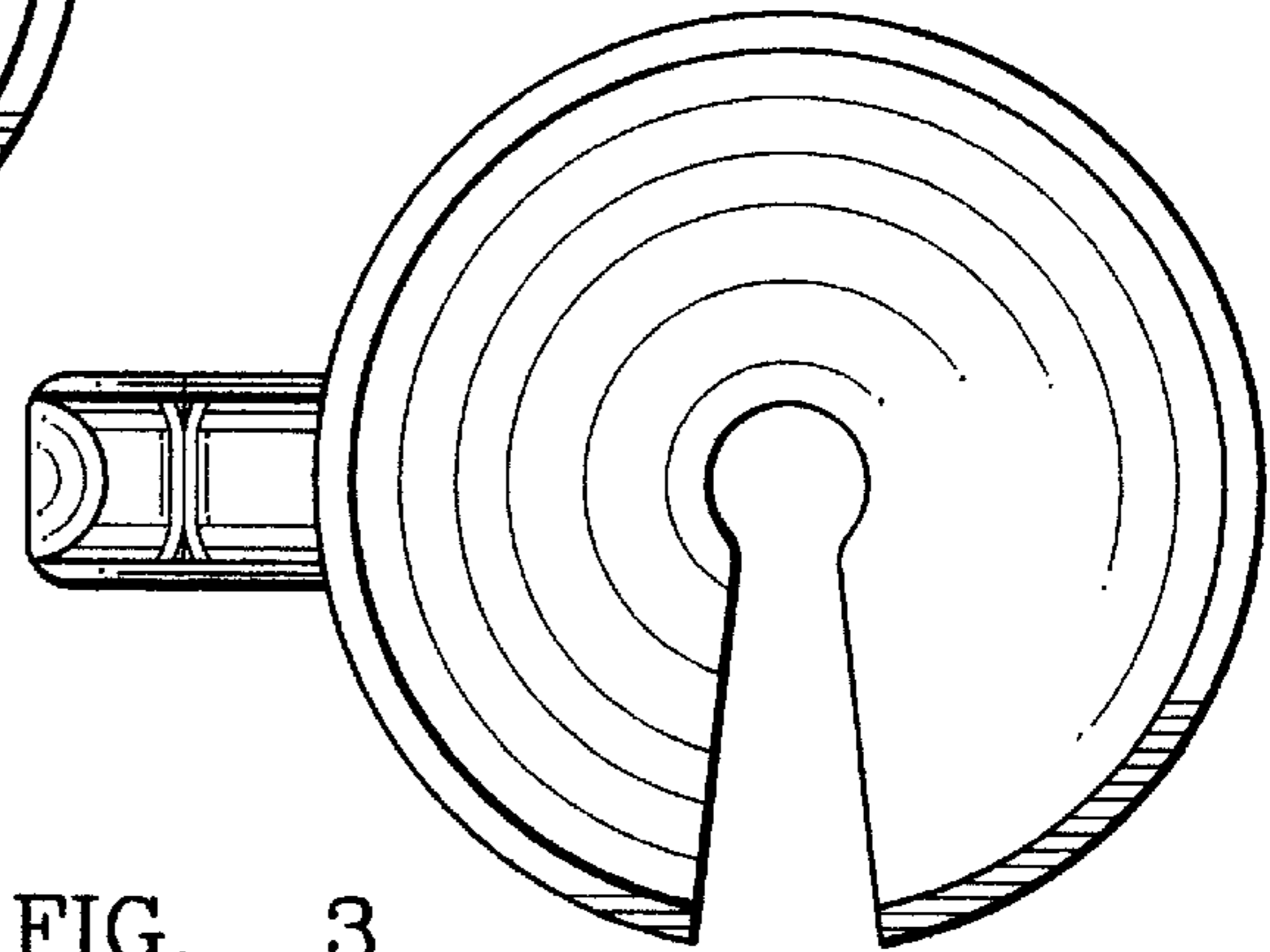


FIG. 3

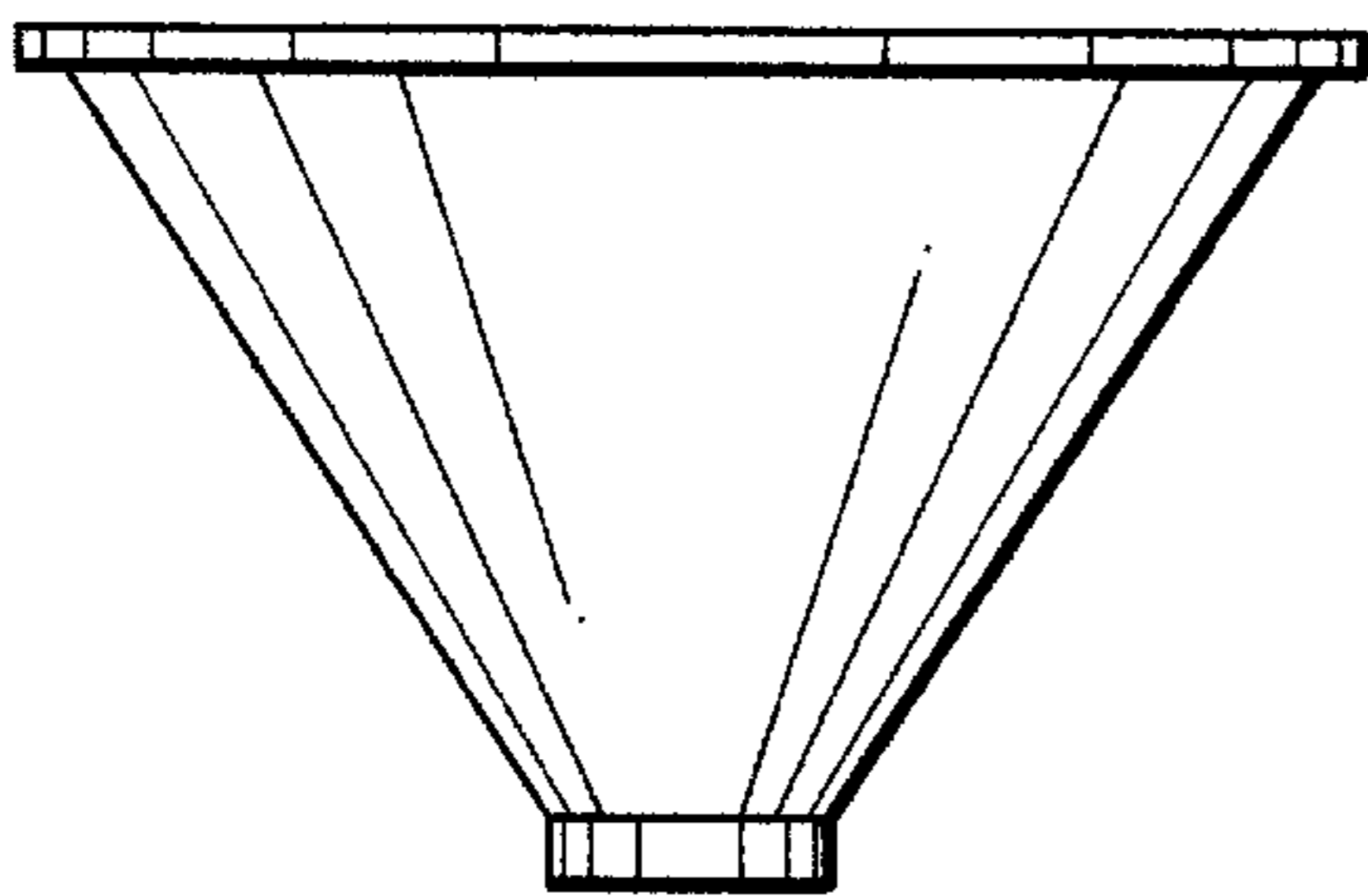


FIG. 4

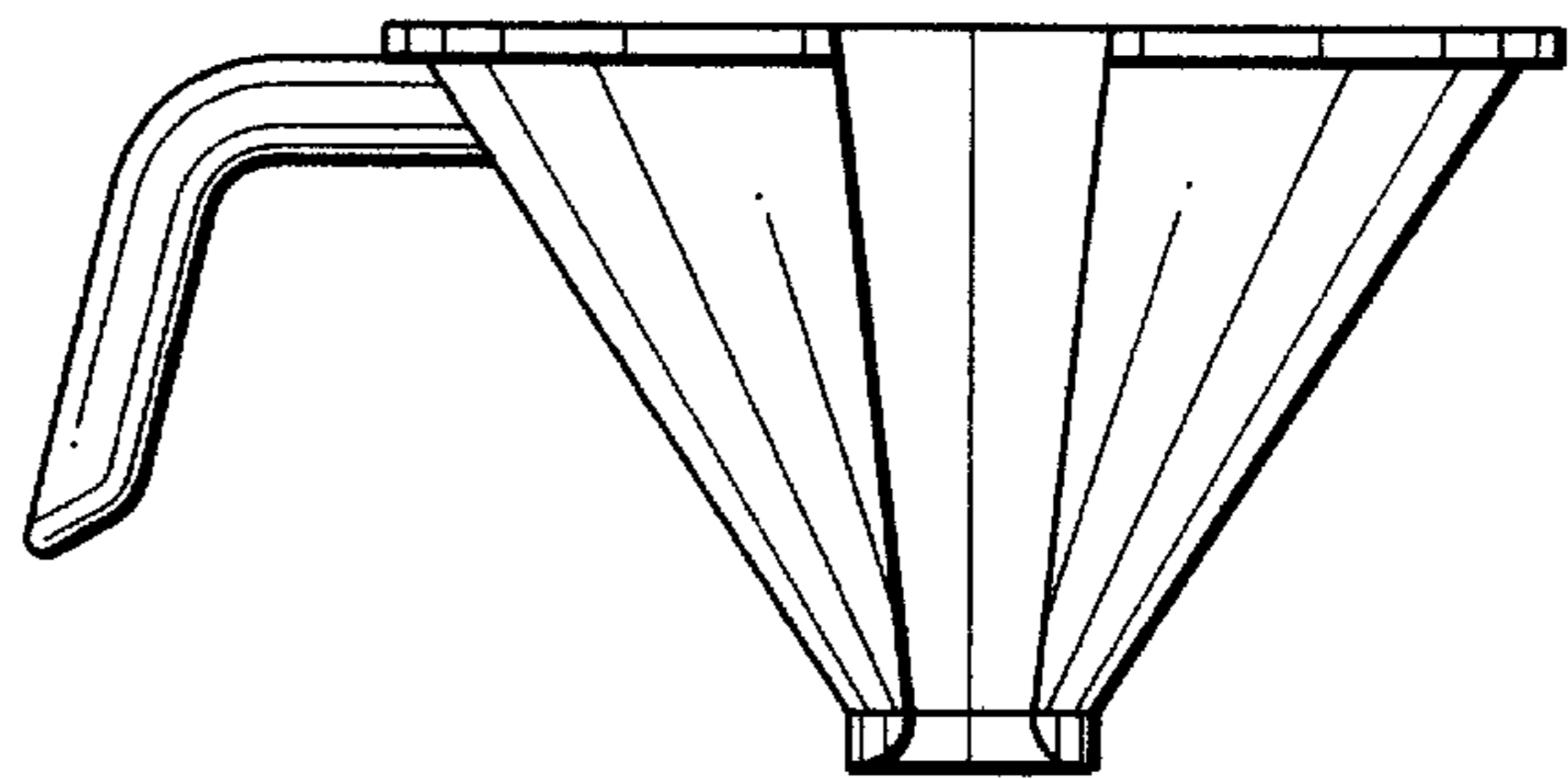


FIG. 5

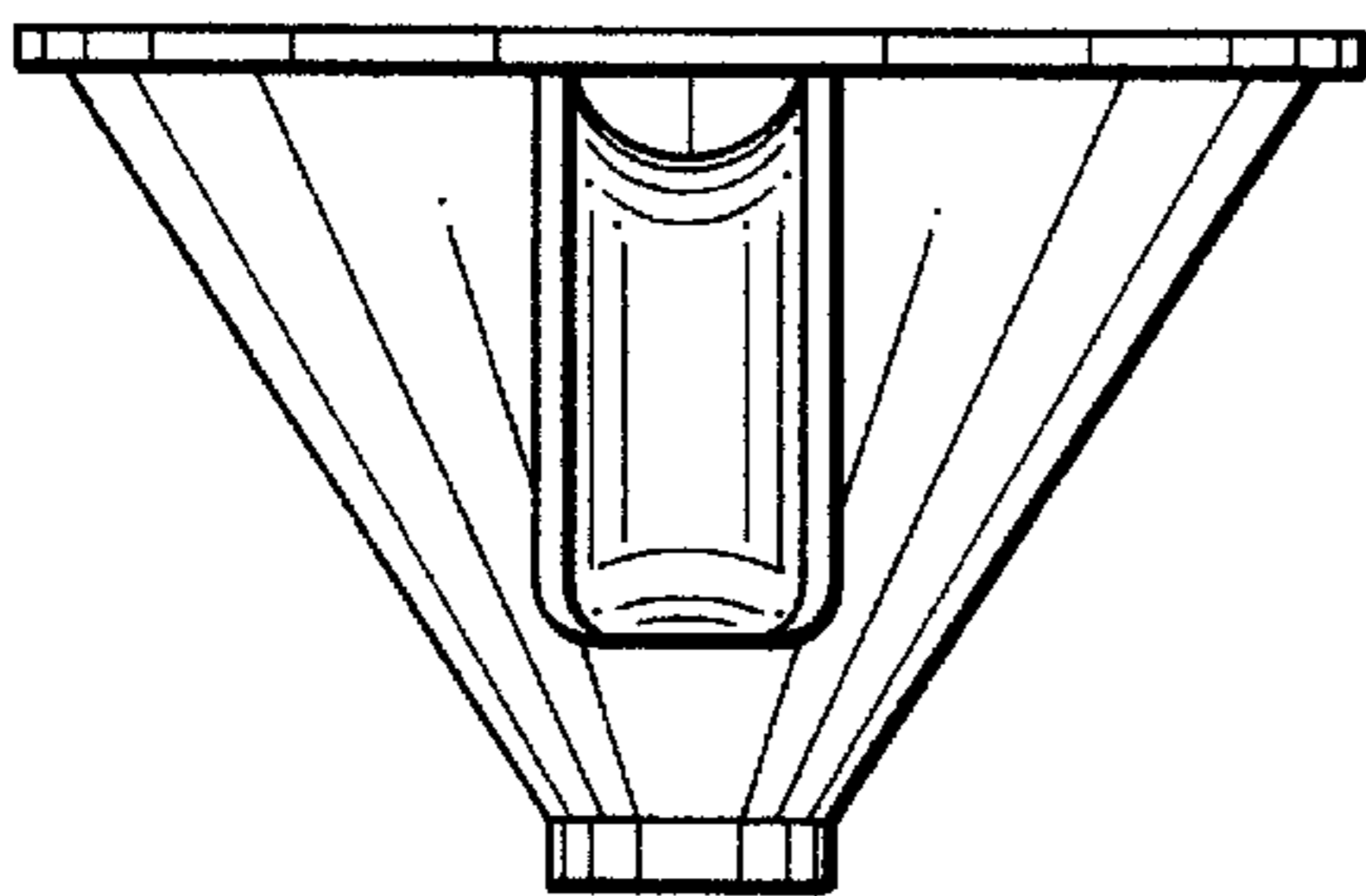


FIG. 6

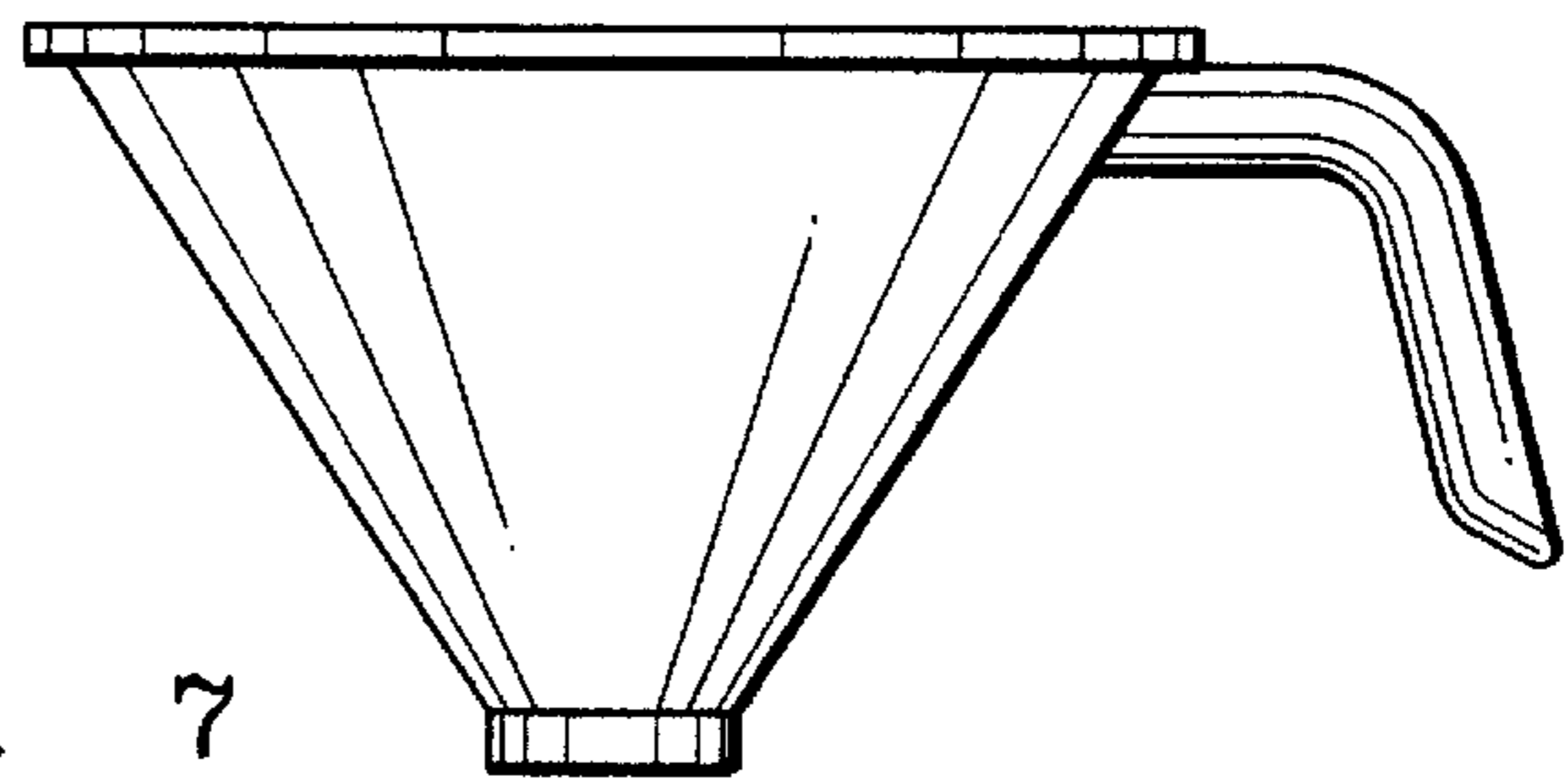


FIG. 7