



US00D398703S

United States Patent [19]

Hayes et al.

[11] Patent Number: **Des. 398,703**

[45] Date of Patent: ****Sep. 22, 1998**

[54] **FAUCET MOUNTED WATER TREATMENT APPARATUS**

[75] Inventors: **Kevin Hayes**, North Hollywood; **Allen Cameron**, Santa Monica; **John Wadsworth**, Los Angeles; **Alexis Limberakis**; **Katie Cowan**, both of San Francisco, all of Calif.

[73] Assignee: **The Clorox Company**, Oakland, Calif.

[**] Term: **14 Years**

[21] Appl. No.: **76,372**

[22] Filed: **Sep. 9, 1997**

[51] **LOC (6) Cl.** **23-01**

[52] **U.S. Cl.** **D23/209**

[58] **Field of Search** D23/200, 207, D23/209, 210; 210/459-461, 232, 238

[56] **References Cited**

U.S. PATENT DOCUMENTS

D. 242,249	11/1976	Corder et al.	D23/209
D. 277,305	1/1985	Grube	D23/209
D. 285,958	9/1986	Koizumi	D23/209
D. 358,868	5/1995	Hembree et al.	D23/207
4,147,631	4/1979	Deines et al.	210/137

4,504,389	3/1985	Rundzaitis	210/266
4,680,116	7/1987	Kamiwada et al.	210/282
4,732,674	3/1988	Tamura et al.	210/266
4,770,768	9/1988	Lang	210/94
4,839,039	6/1989	Parsons	210/460
5,017,286	5/1991	Heiligman	210/266
5,192,436	3/1993	Sasaki et al.	210/264
5,256,287	10/1993	Underwood	210/282
5,653,868	8/1997	Yanou et al.	210/460

Primary Examiner—Freda Nunn
Assistant Examiner—Robin V. Taylor
Attorney, Agent, or Firm—Ralph C. Francis

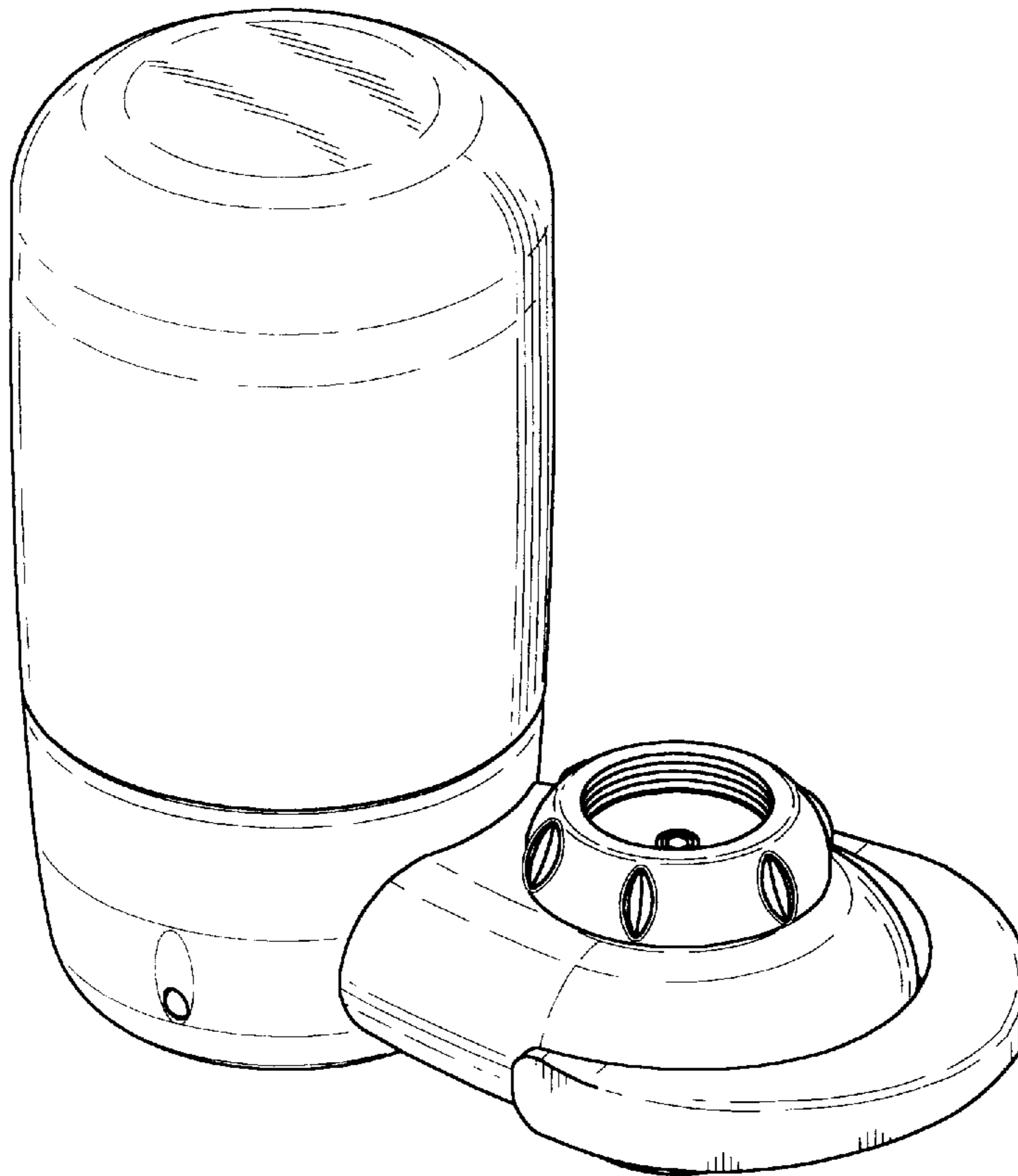
[57] **CLAIM**

We claim the ornamental design for a faucet mounted water treatment apparatus, as shown and described.

DESCRIPTION

FIG. 1 is a perspective view of the faucet mounted water treatment apparatus showing our new design; FIG. 2 is a left side elevational view thereof; FIG. 3 is a right side elevational view thereof; FIG. 4 is a front elevational view thereof; FIG. 5 is a rear elevational view thereof; FIG. 6 is a top plan view thereof; and, FIG. 7 is a bottom plan view thereof.

1 Claim, 3 Drawing Sheets



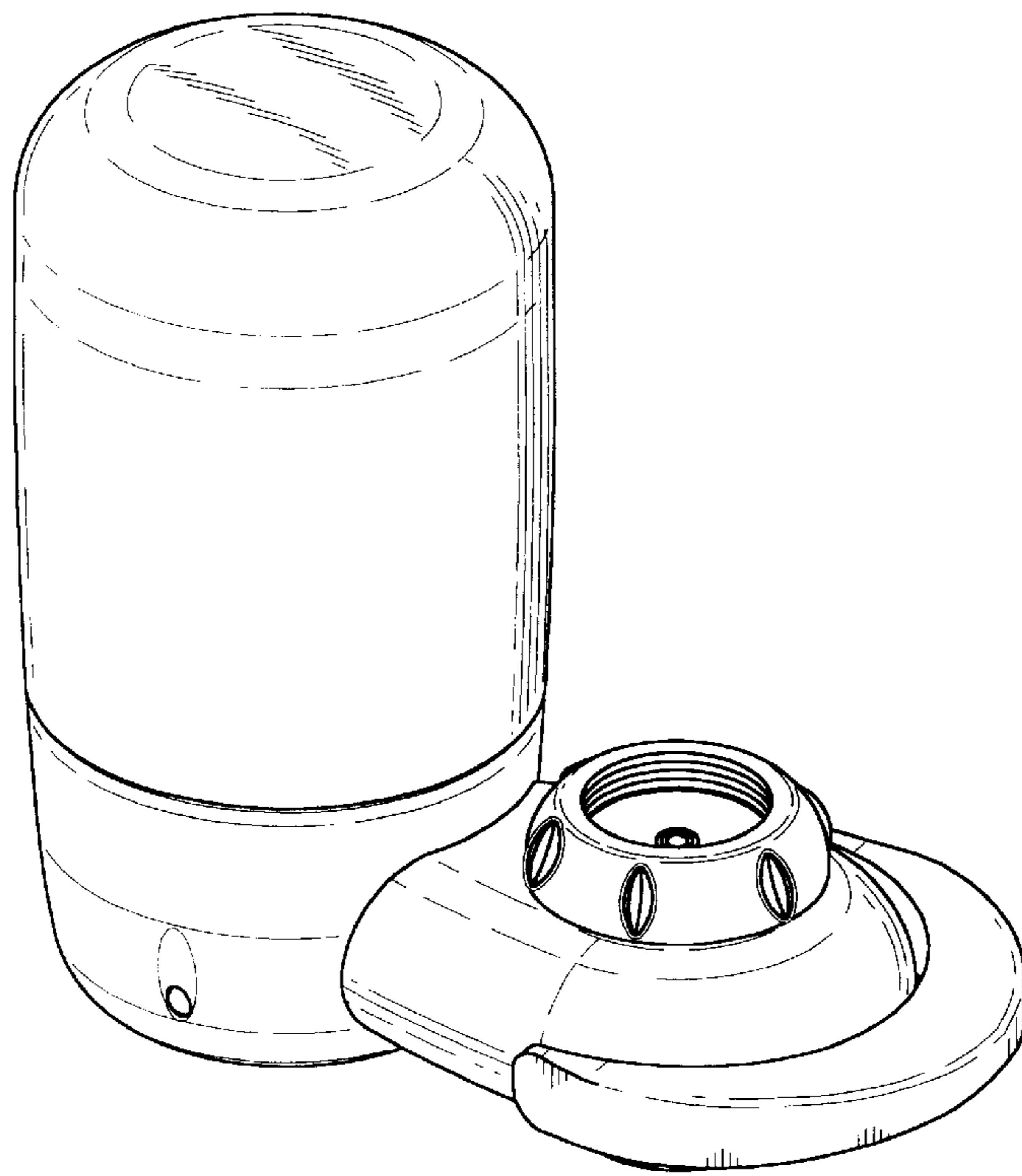


FIG.-1

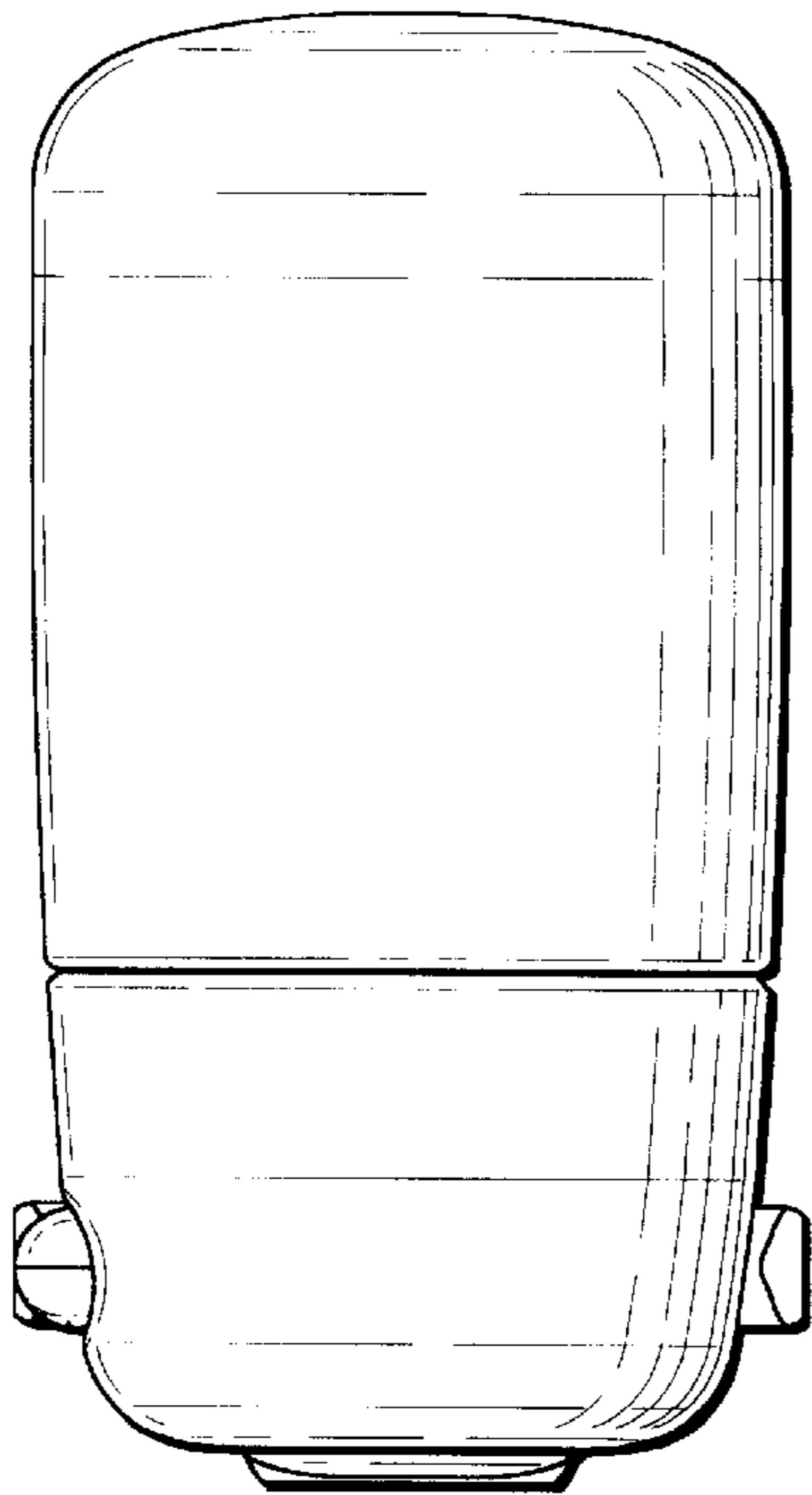


FIG.-2

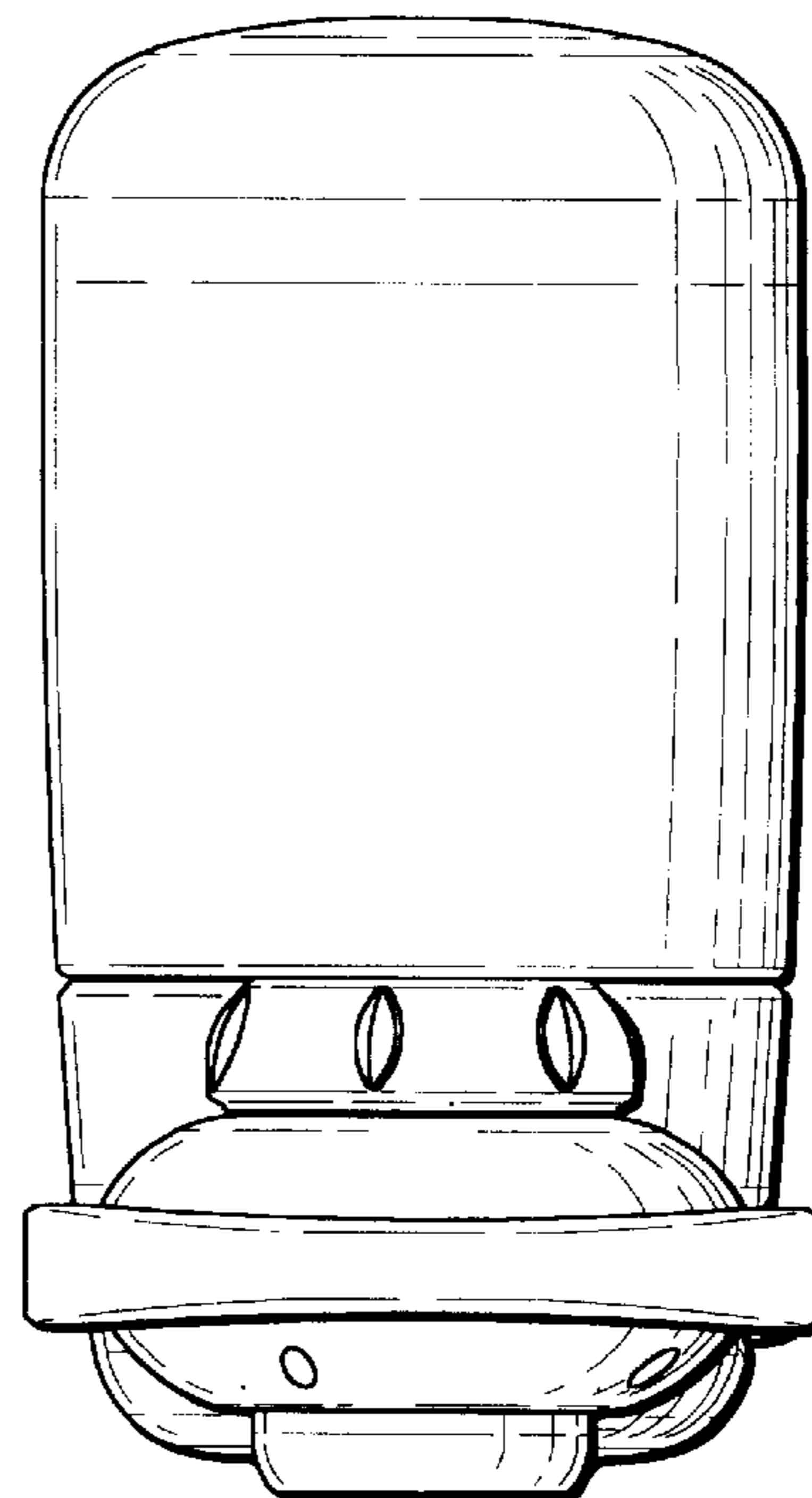


FIG.-3

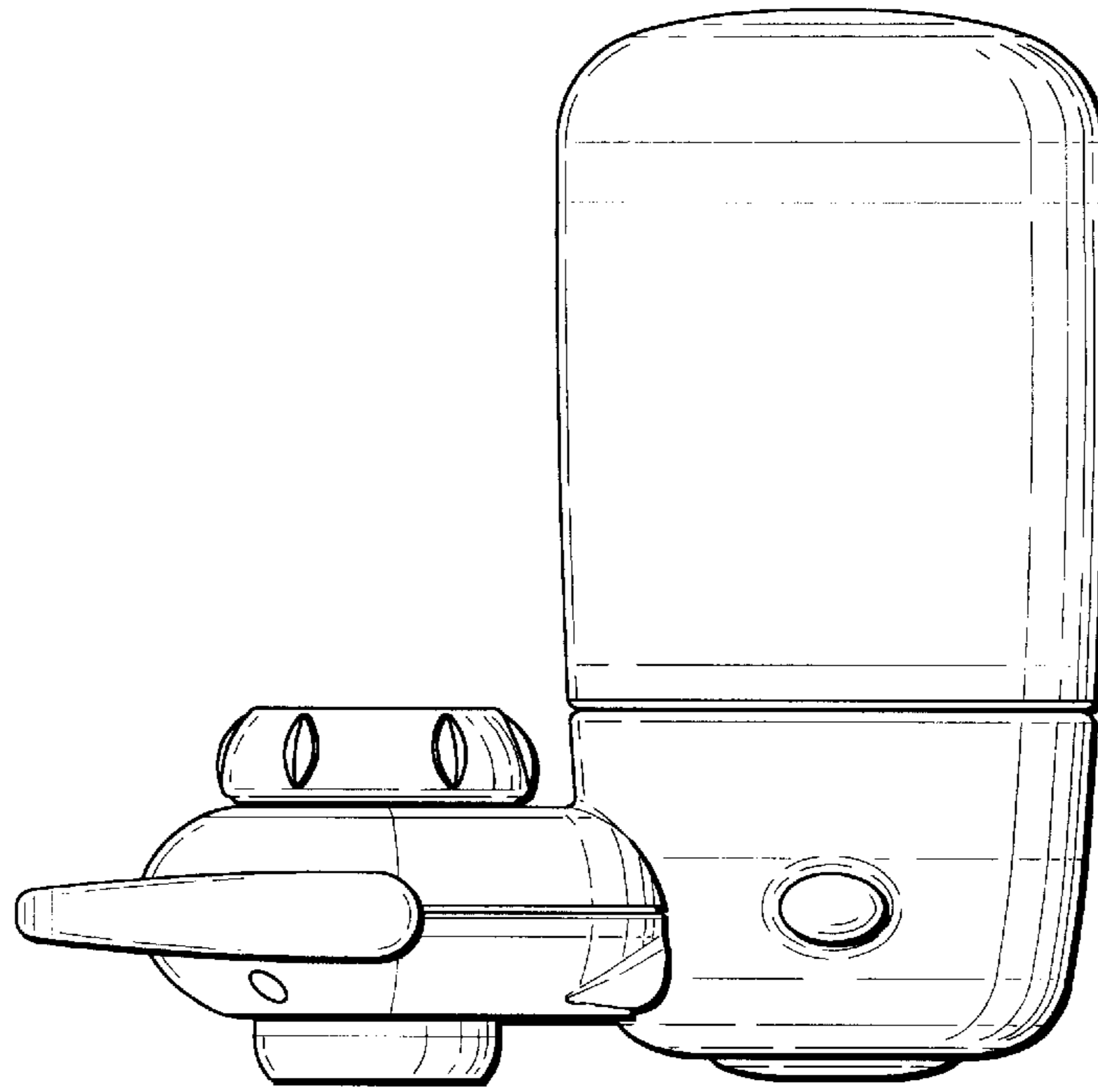


FIG. -4

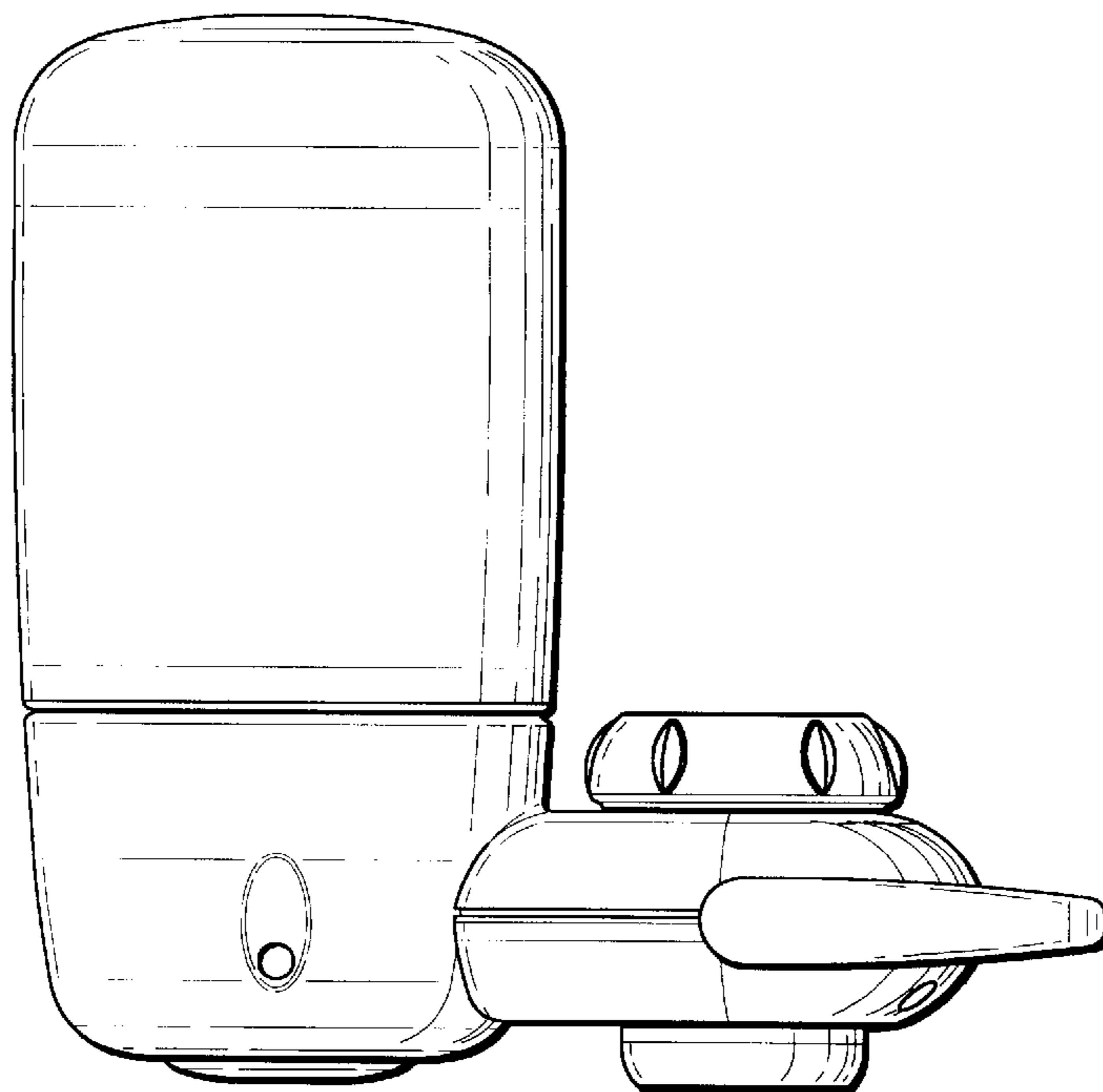


FIG. -5

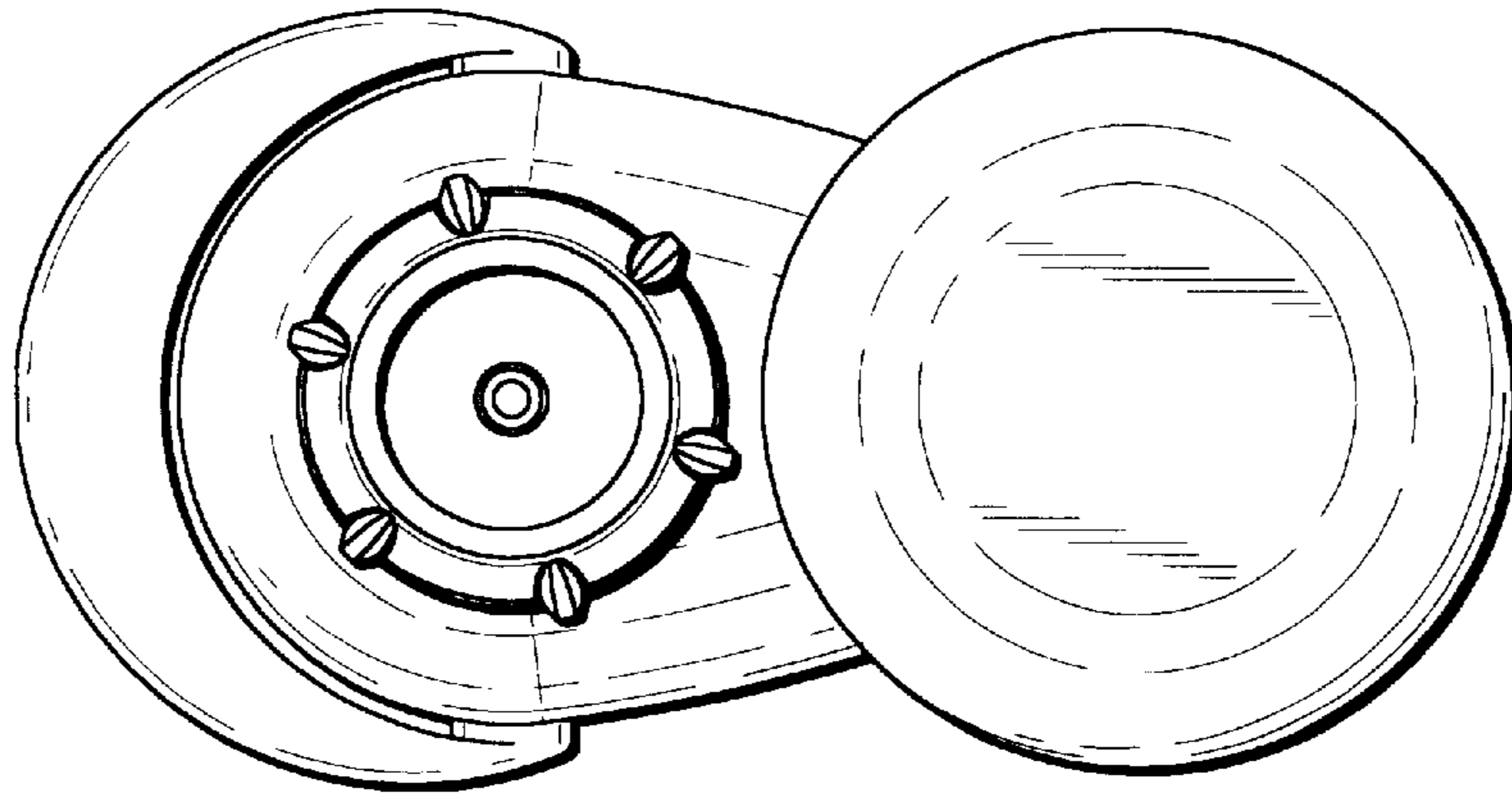


FIG.-6

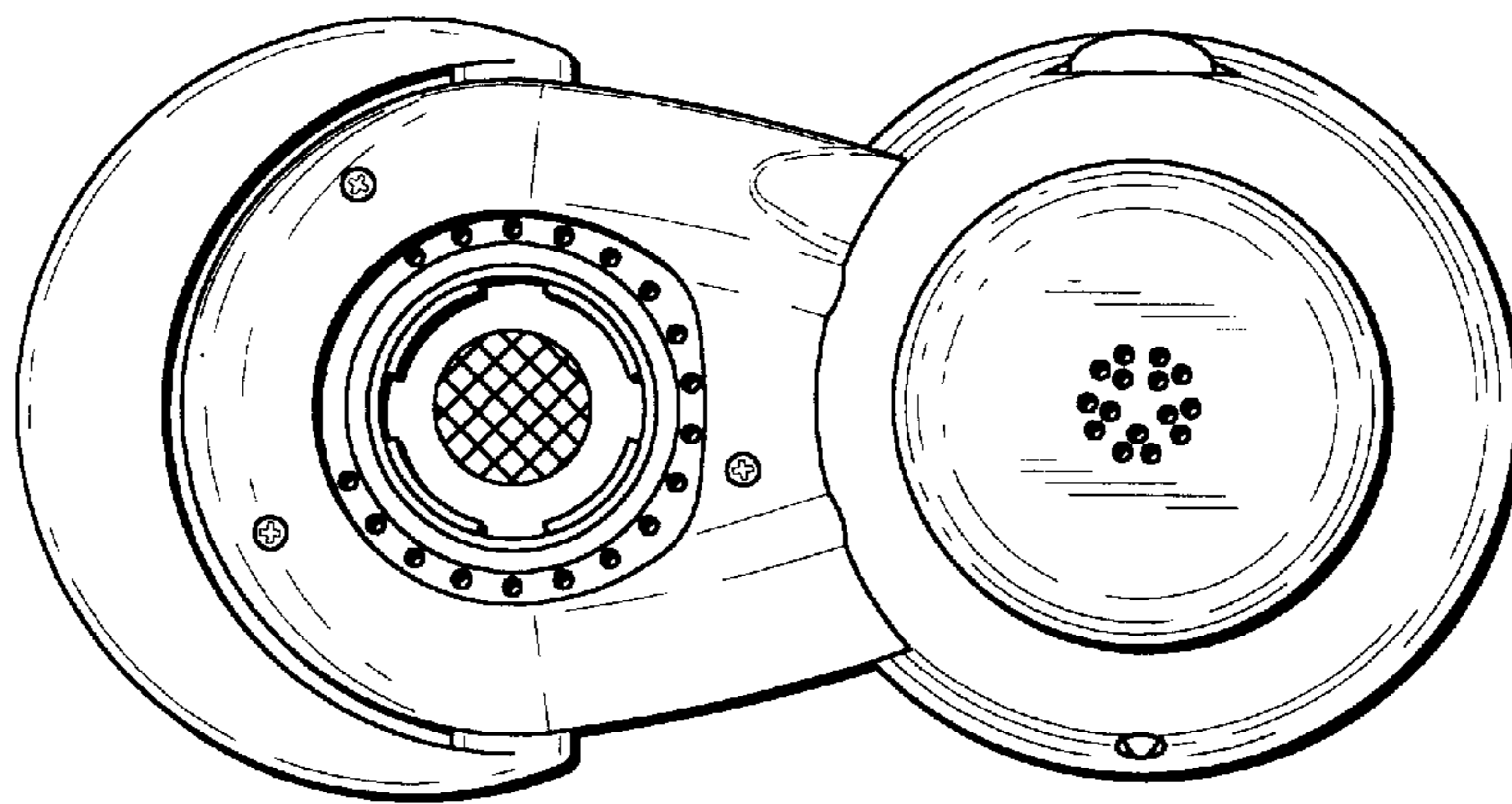


FIG.-7