



US00D398700S

United States Patent [19]

Henriksson et al.

[11] **Patent Number: Des. 398,700**

[45] **Date of Patent: **Sep. 22, 1998**

[54] **FISHING REEL FRAME HOUSING**

[75] Inventors: **Bengt-Åke Henriksson**, Svängsta;
Lars-Olof Carlsson, Asarum, both of Sweden

[73] Assignee: **Berkley Inc.**, Spirit Lake, Iowa

[**] Term: **14 Years**

[21] Appl. No.: **70,555**

[22] Filed: **May 9, 1997**

[51] **LOC (6) Cl.** **22-05**

[52] **U.S. Cl.** **D22/141**

[58] **Field of Search** D22/141, 140;
242/311, 312, 279, 230-233, 245, 246

[56] **References Cited**

U.S. PATENT DOCUMENTS

- D. 309,340 7/1990 Kameda et al. D22/141
- D. 309,650 7/1990 Kameda et al. D22/141
- D. 314,808 2/1991 Yoshikawa D22/141

- D. 315,777 3/1991 Kameda et al. D22/141
- D. 321,741 11/1991 Kameda et al. D22/141
- 5,605,298 2/1997 Shimozaki et al. 242/231

Primary Examiner—Doris V. Coles
Attorney, Agent, or Firm—Browdy and Neimark

[57] **CLAIM**

The ornamental design for a fishing reel frame housing, as shown and described.

DESCRIPTION

FIG. 1 is a top, right side and front perspective view of a fishing reel frame housing, showing our new design; FIG. 2 is a bottom, left side and rear perspective view thereof; FIG. 3 is a right side elevational view thereof; FIG. 4 is a left side elevational view thereof; FIG. 5 is a rear elevational view thereof; FIG. 6 is a front elevational view thereof; FIG. 7 is a bottom plan view thereof; and, FIG. 8 is a top plan view thereof.

1 Claim, 2 Drawing Sheets

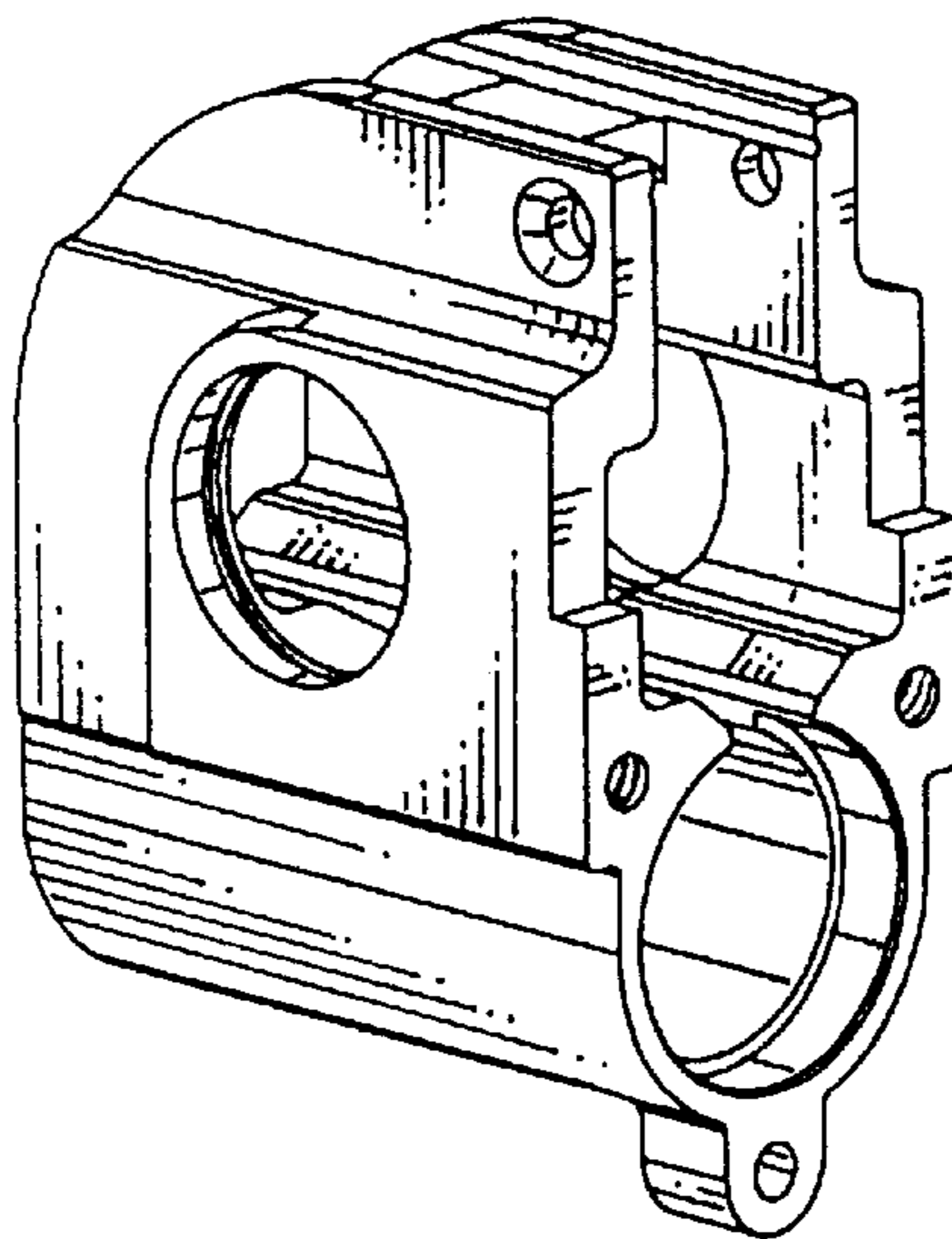


FIG.1

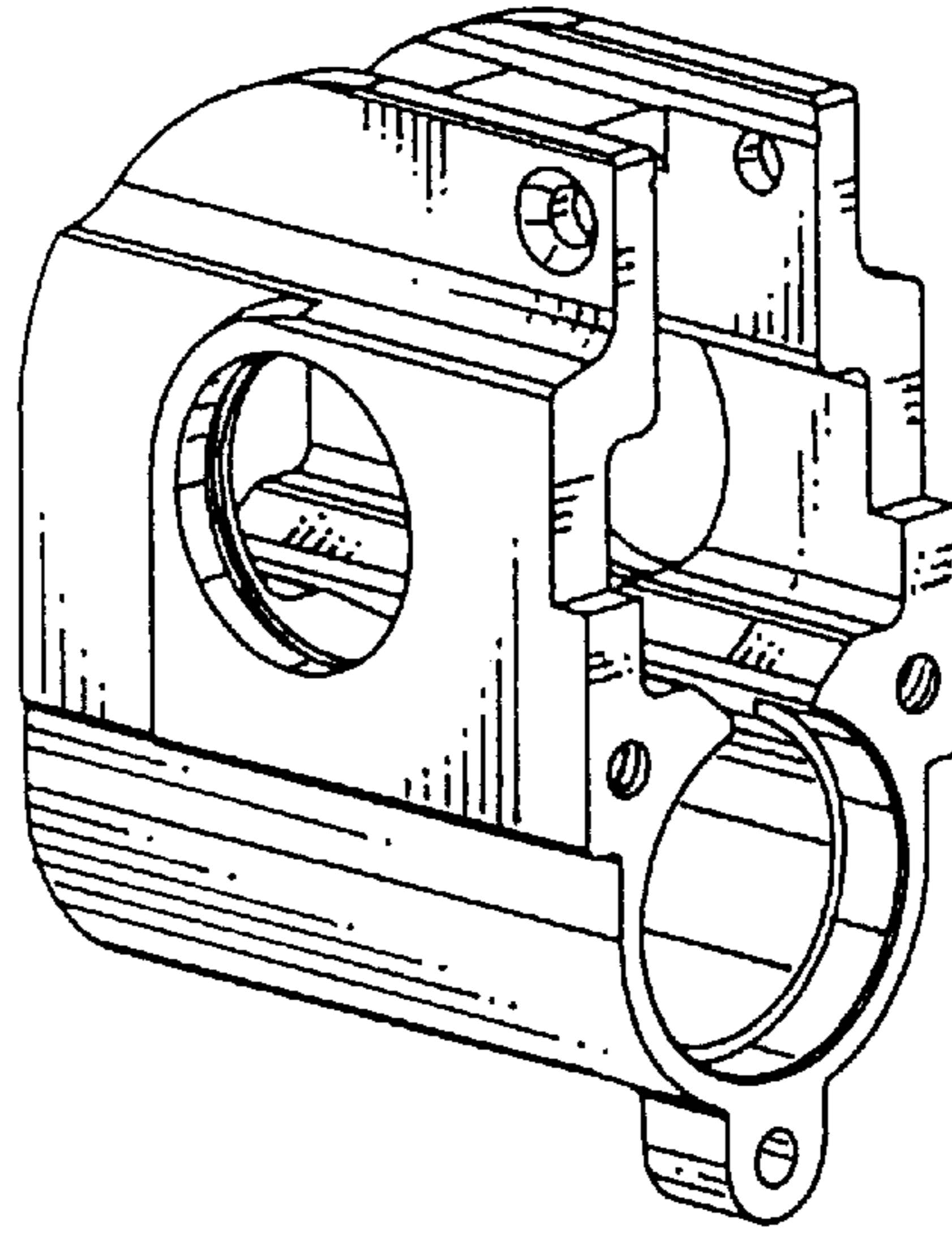
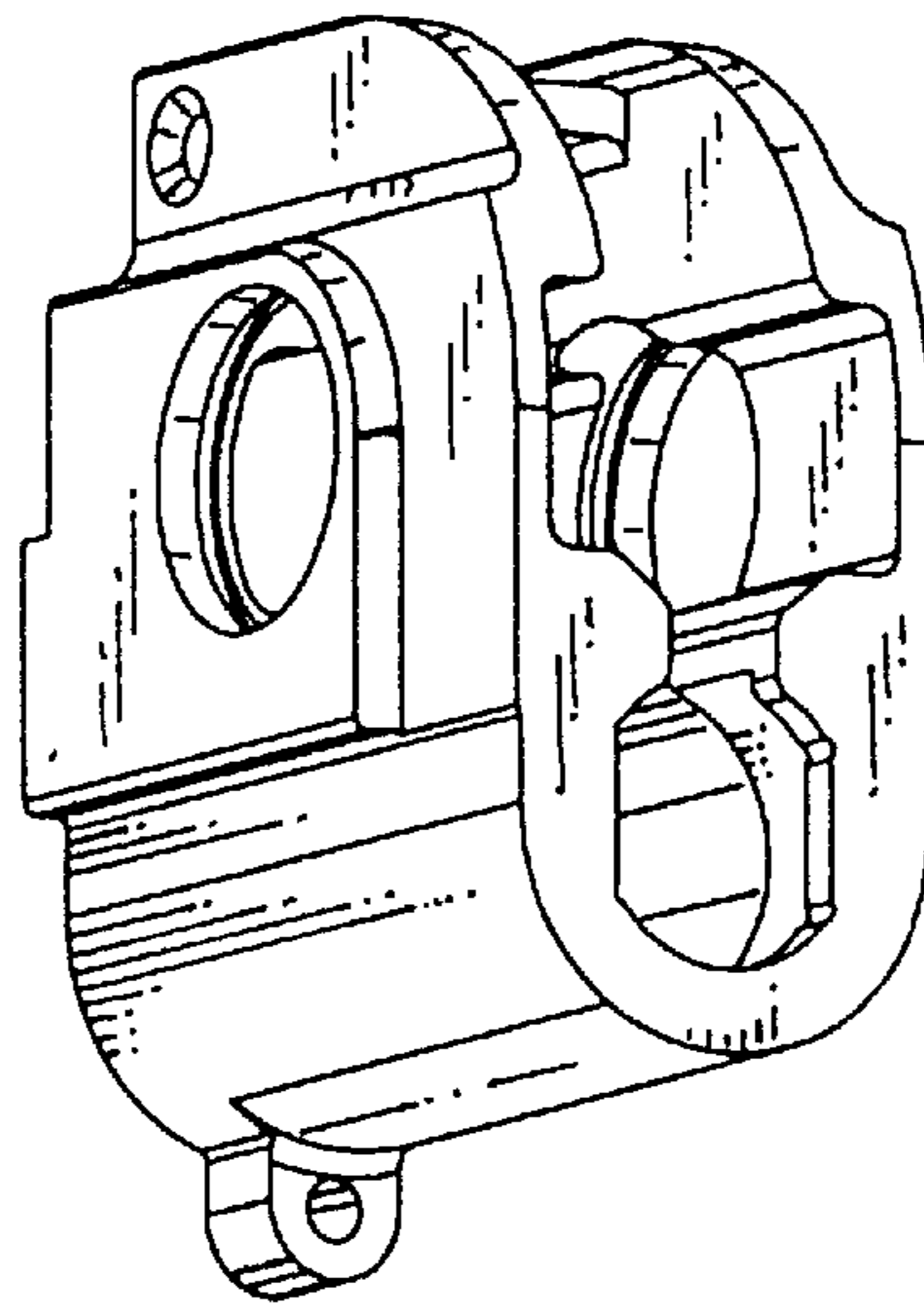


FIG.2



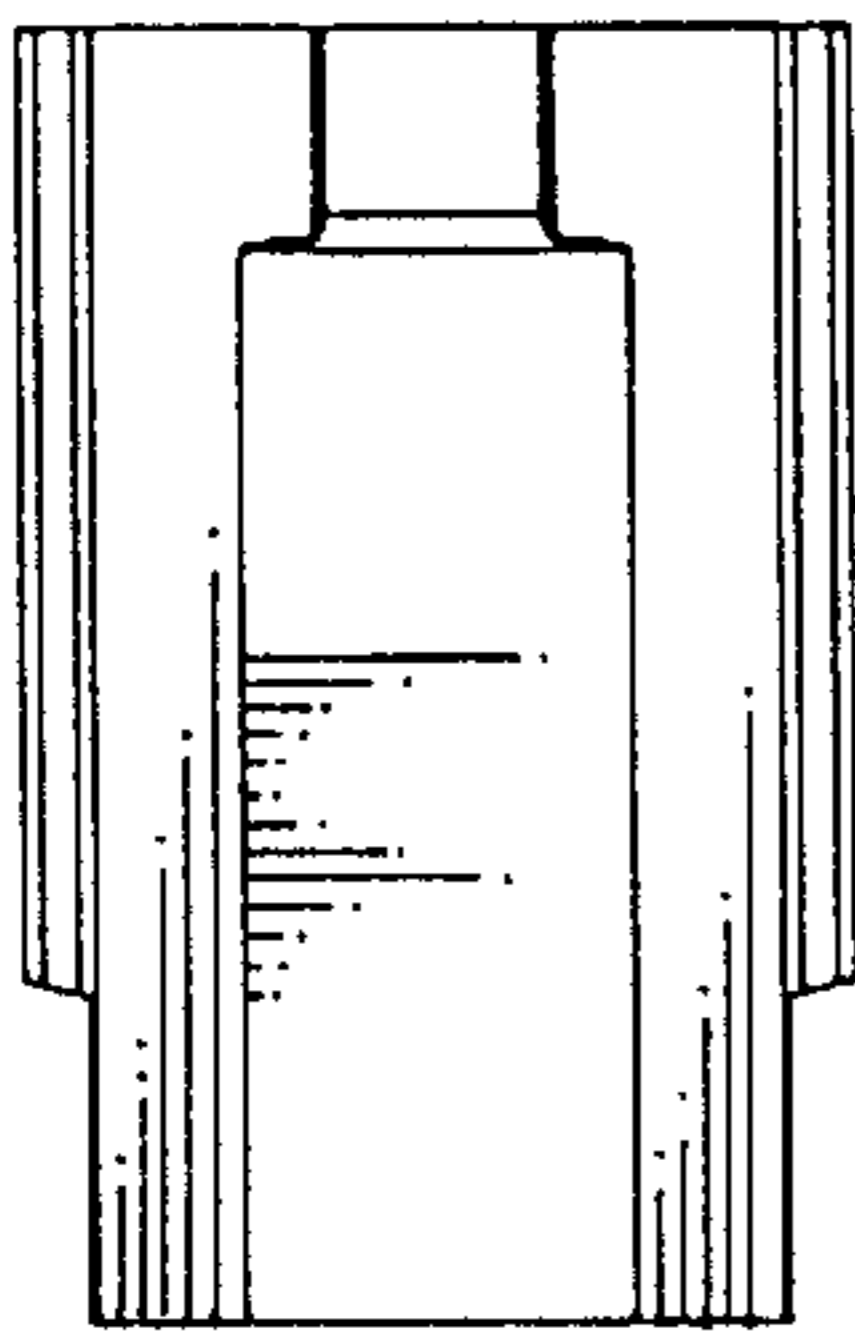


FIG. 7

FIG. 3

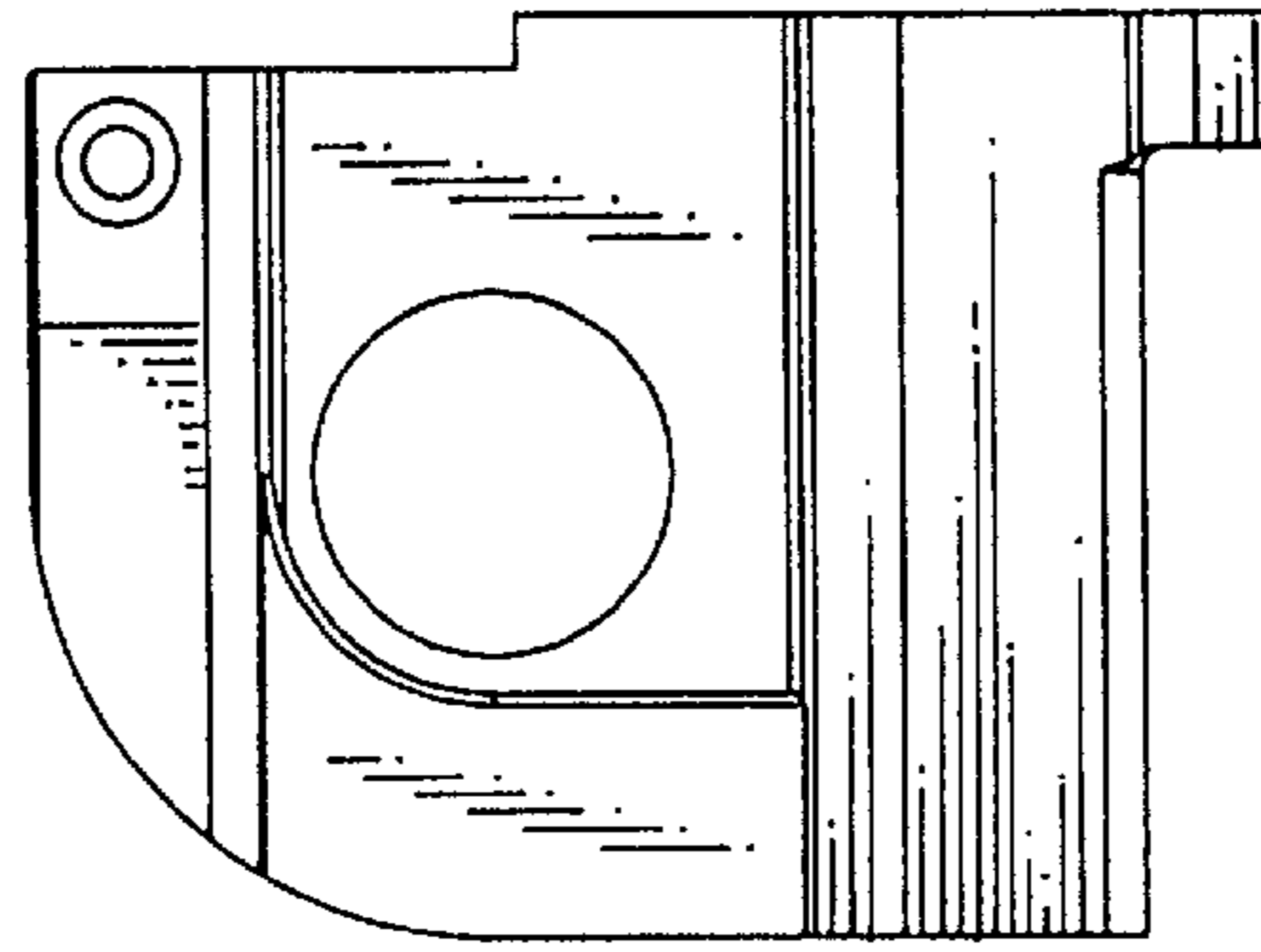


FIG. 4

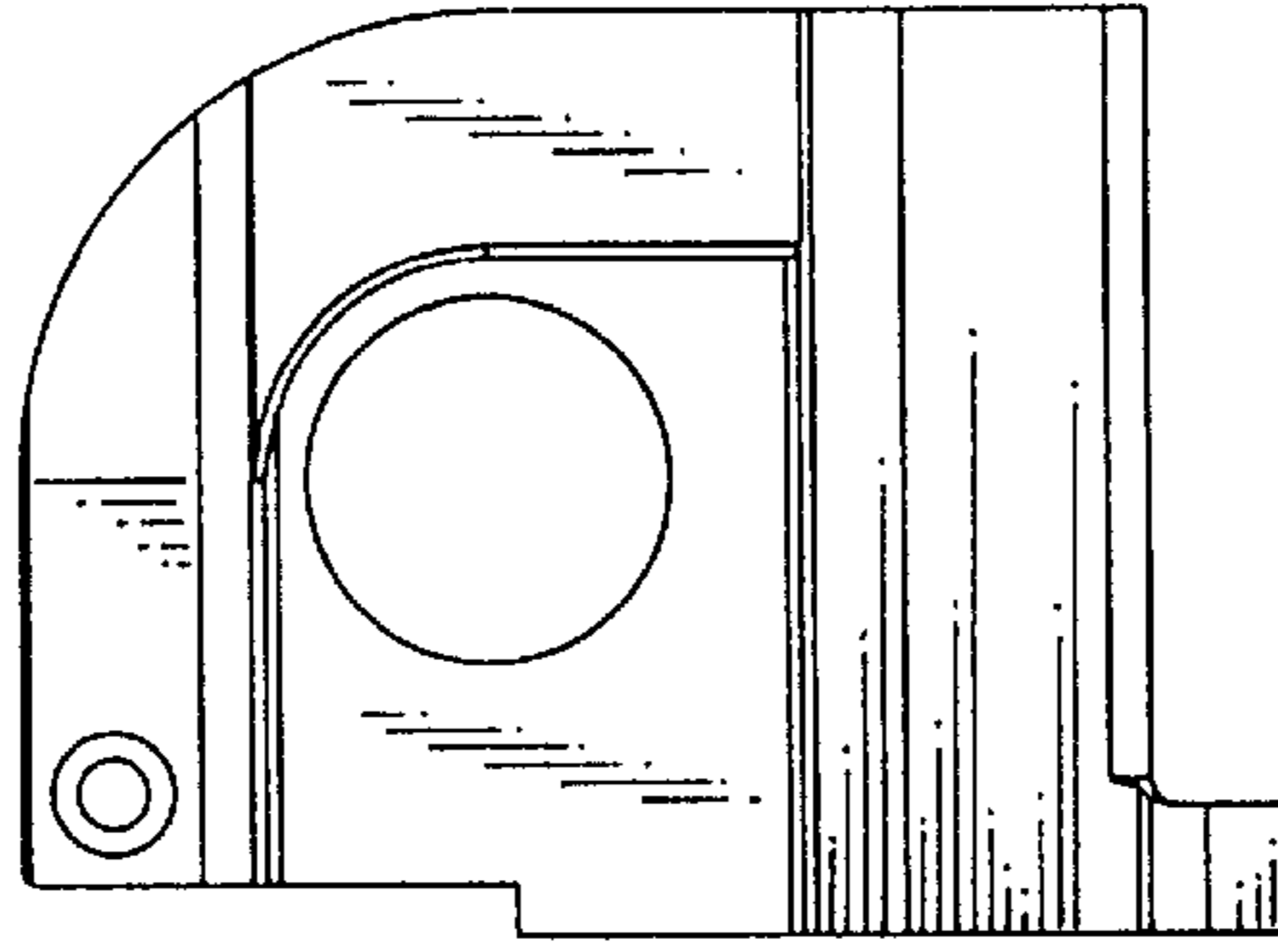


FIG. 5

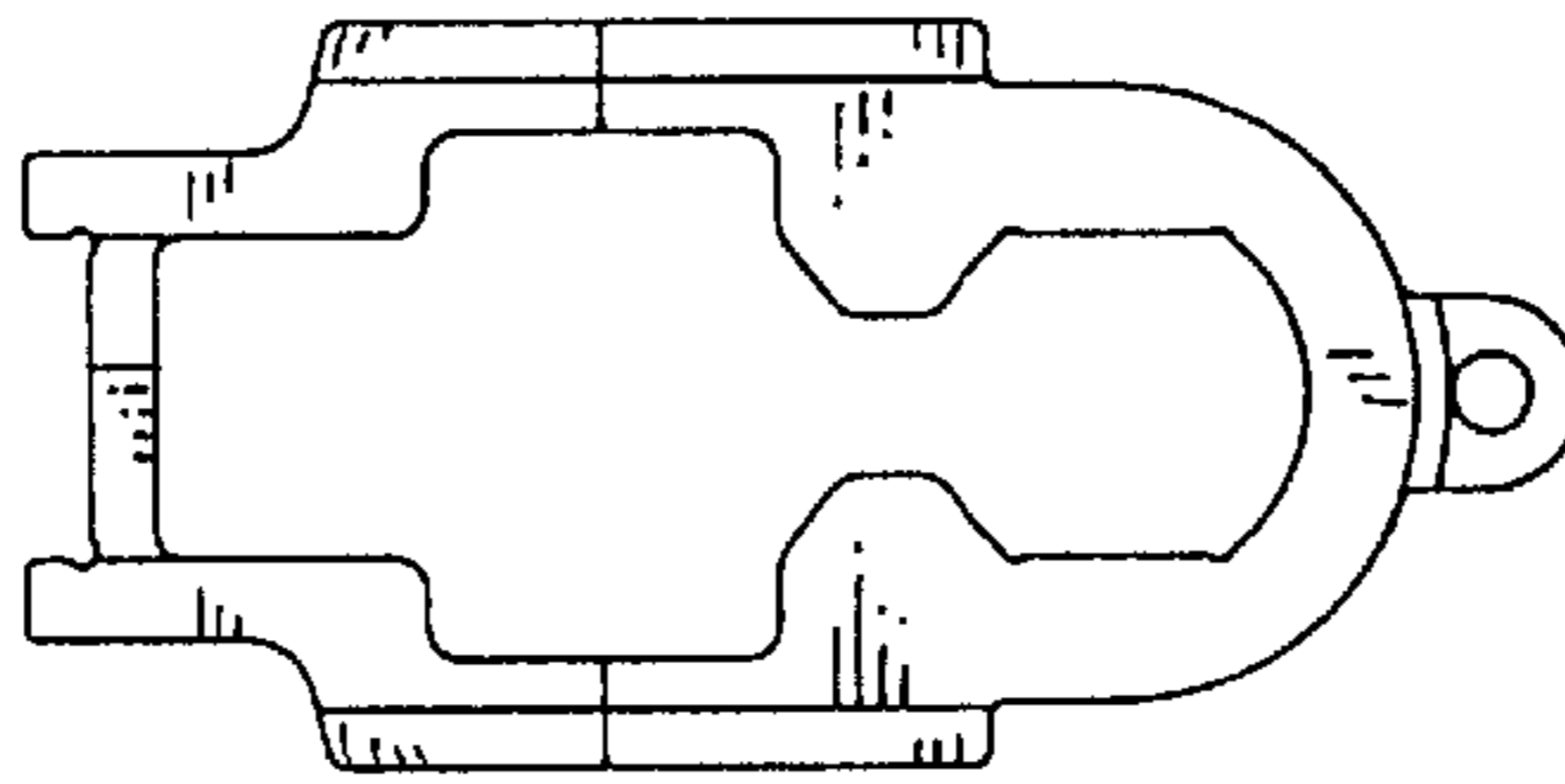


FIG. 6

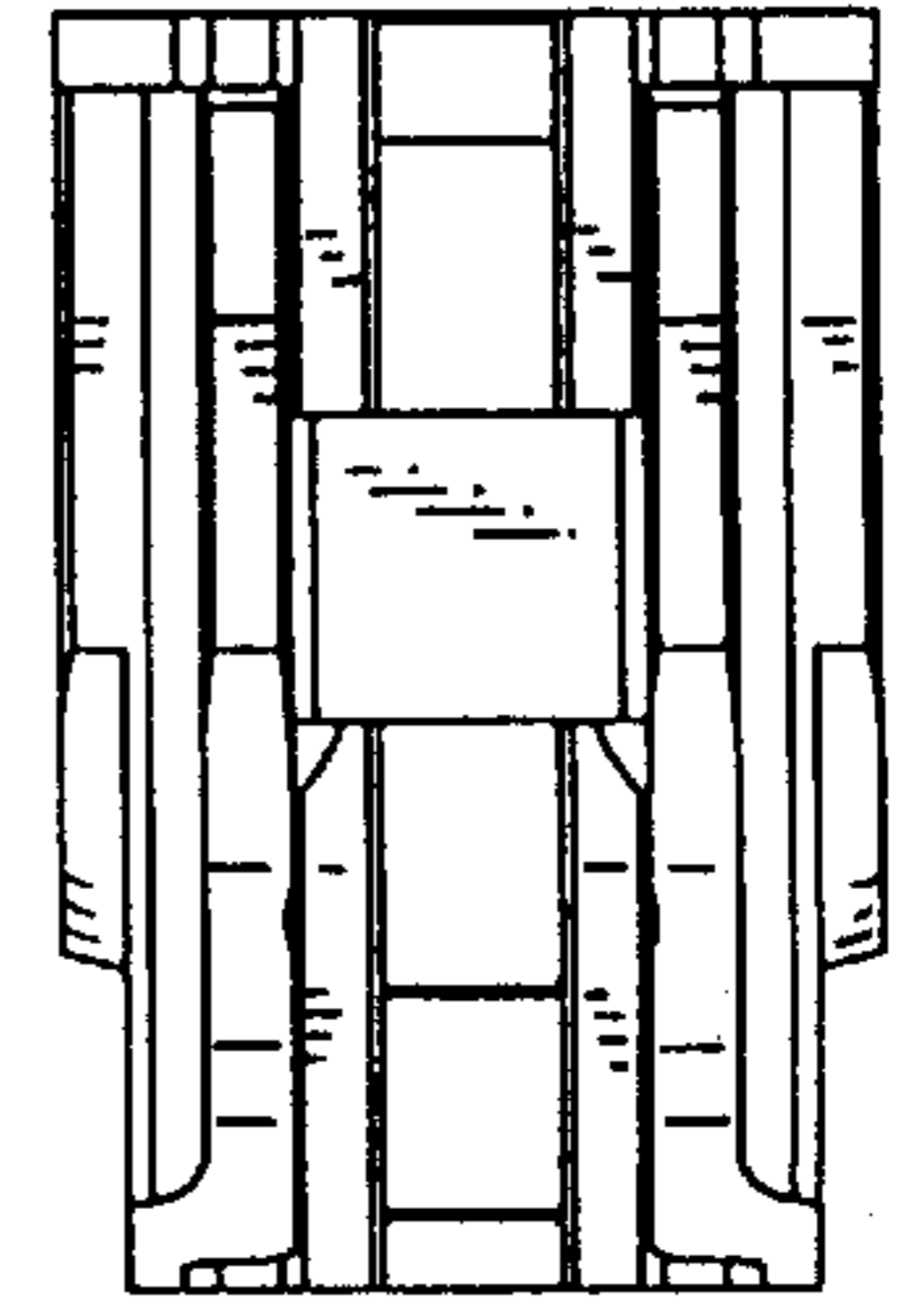
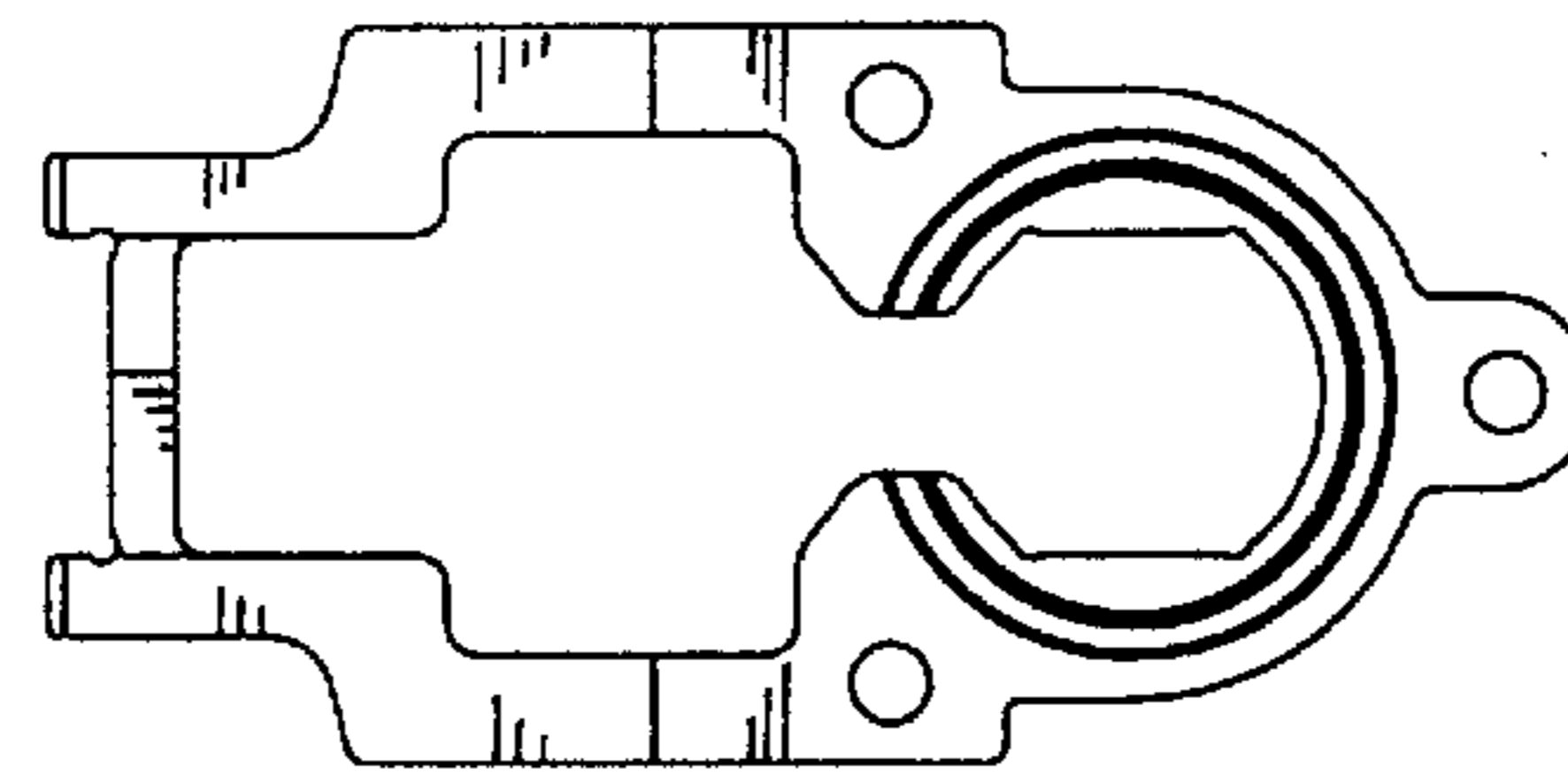


FIG. 8