



US00D398695S

United States Patent [19]
O'Rourke

[11] **Patent Number: Des. 398,695**

[45] **Date of Patent: **Sep. 22, 1998**

[54] **RECREATIONAL FOAM FLOAT**

2,404,729 7/1946 Hurt .

[75] Inventor: **Thomas J. O'Rourke**, Harlingen, Tex.

Primary Examiner—Kay H. Chin
Attorney, Agent, or Firm—Waddey & Patterson; Laura K. Thomas

[73] Assignee: **Kidpower, Inc.**, Brentwood, Tenn.

[**] Term: **14 Years**

[57] **CLAIM**

[21] Appl. No.: **73,800**

I claim the ornamental design for a recreational foam float, as shown and described.

[22] Filed: **Jul. 17, 1997**

DESCRIPTION

[51] **LOC (6) Cl.** **12-06**

[52] **U.S. Cl.** **D21/237; D21/164**

[58] **Field of Search** D21/236, 237,
D21/157, 75, 164, 165, 240; 446/153, 226;
472/129; 441/136, 129

FIG. 1 is a perspective view of the recreational foam float of the present invention;

FIG. 2 is a front view of the recreational foam float of the present invention;

FIG. 3 is a back view of the recreational foam float of the present invention;

FIG. 4 is a side view of the recreational foam float of the present invention; and,

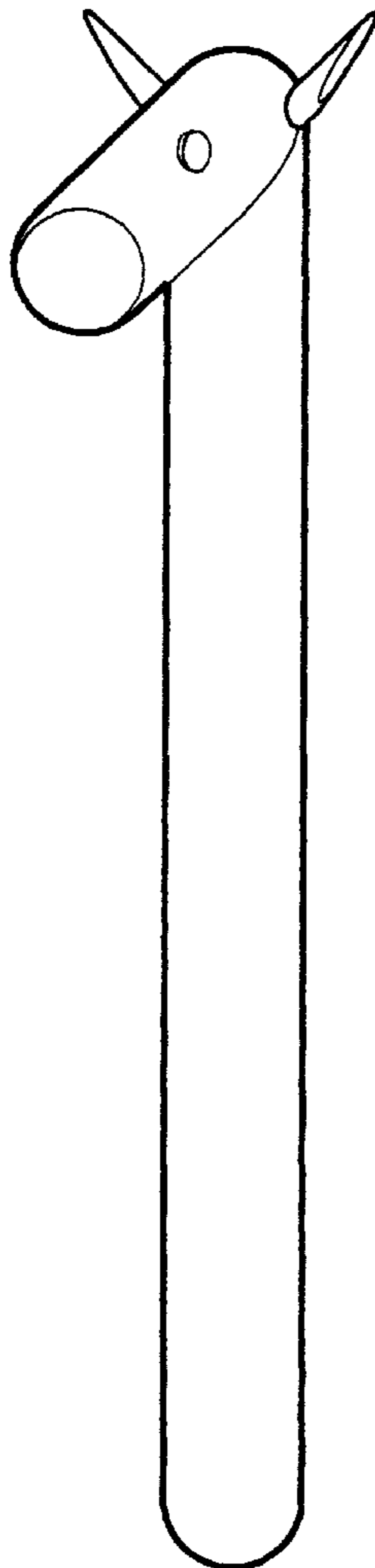
FIG. 5 is a top view of the recreational foam float of the present invention.

[56] **References Cited**

U.S. PATENT DOCUMENTS

D. 162,940	4/1951	Drury	D21/237
D. 291,687	9/1987	Wolfe	D21/164
D. 302,718	8/1989	Wolfe	D21/237
D. 362,290	9/1995	Le Trishan	D21/237

1 Claim, 5 Drawing Sheets



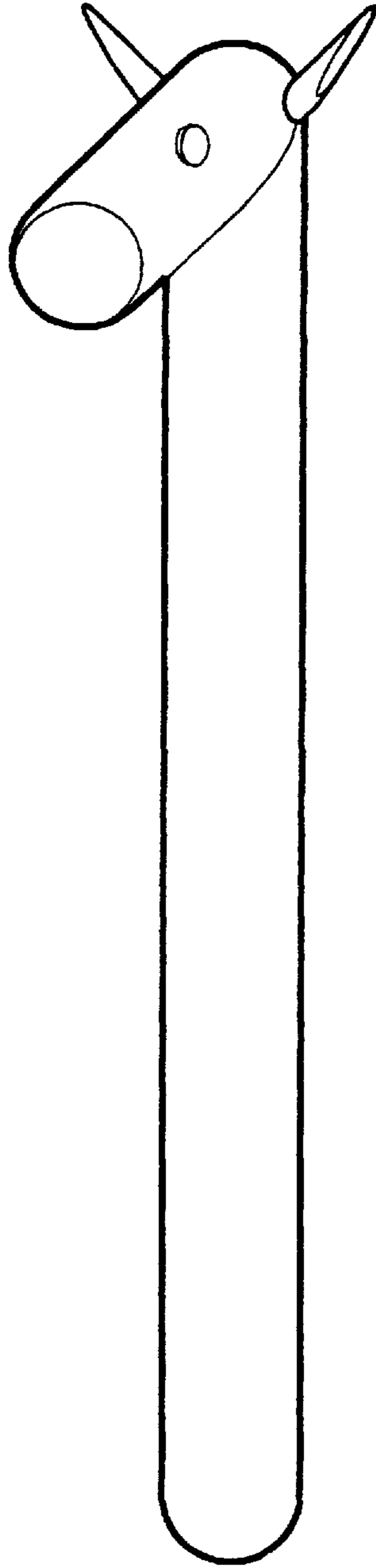


FIG. 1

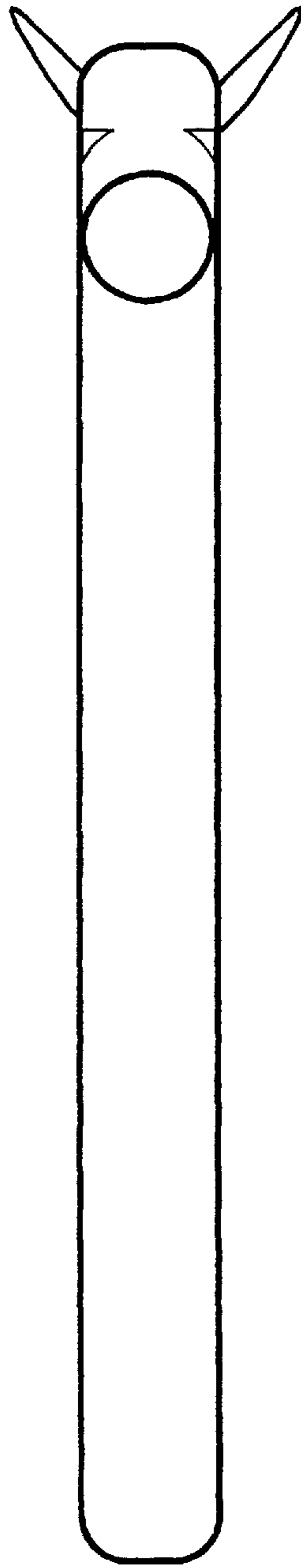


FIG. 2

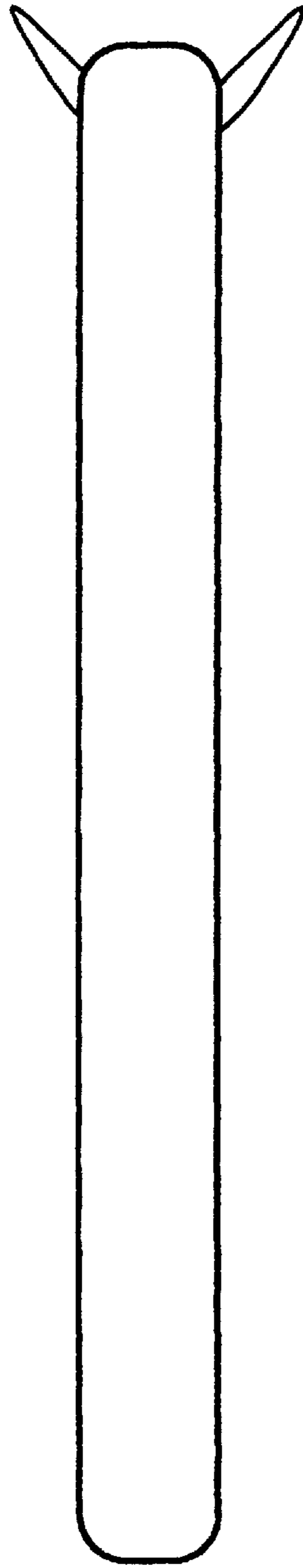


FIG. 3

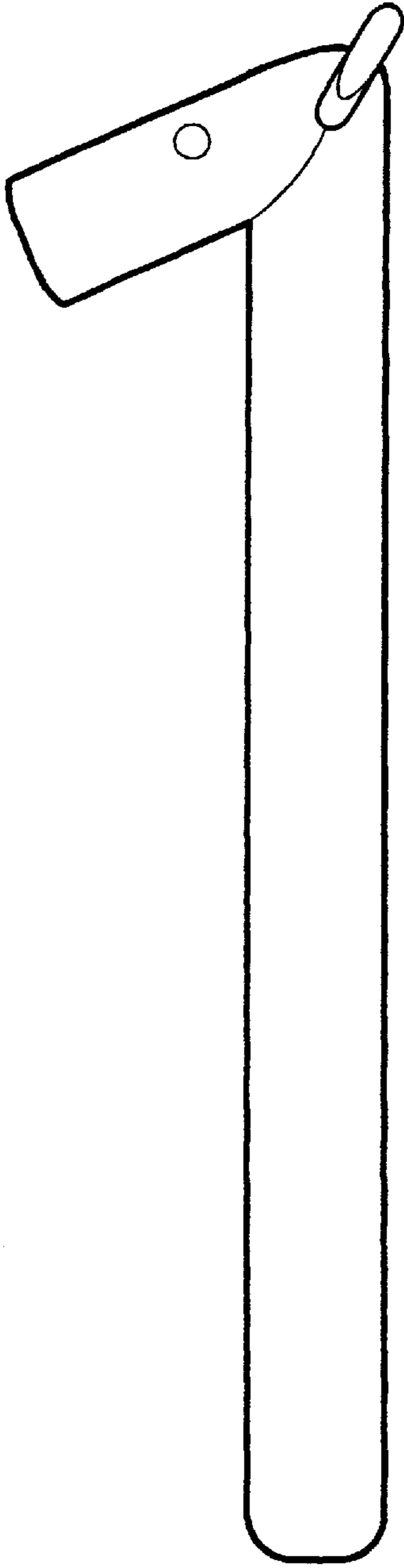


FIG. 4

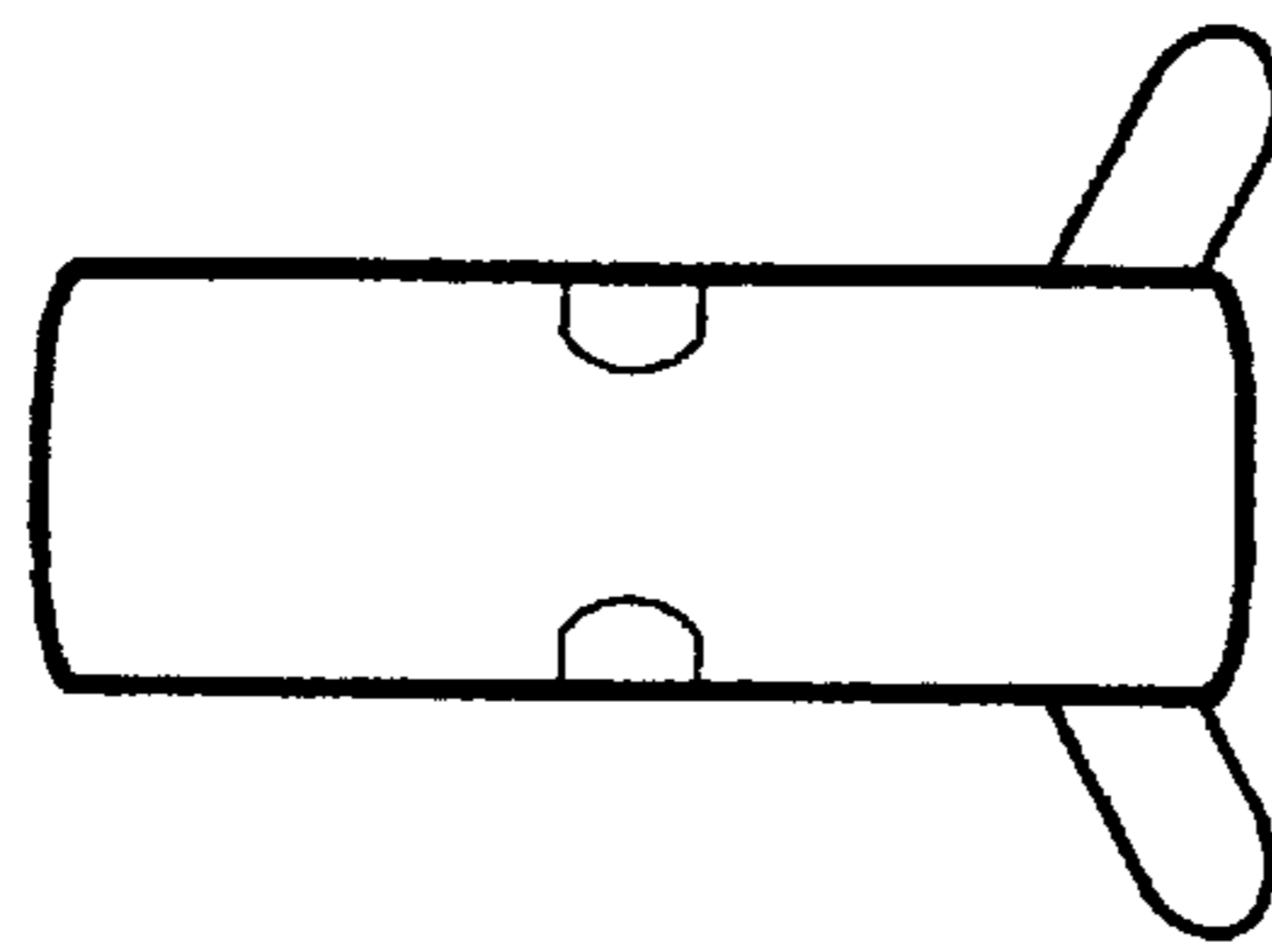


FIG. 5