



US00D398689S

United States Patent [19]
Cooper et al.

[11] **Patent Number: Des. 398,689**
[45] **Date of Patent: **Sep. 22, 1998**

[54] **IN-LINE SKATE WHEEL**
[75] Inventors: **Ronald Charles Cooper; Mark Nicholas Cooper**, both of Newport Beach, Calif.
[73] Assignee: **Advanced Core Technology, Inc.**, Hermosa Beach, Calif.

5,048,848 9/1991 Olson et al. .
5,129,709 7/1992 Klamer .
5,199,727 4/1993 Lai 301/5.3
5,226,673 7/1993 Cech .
5,271,633 12/1993 Hill, Jr. 280/809
5,308,152 5/1994 Ho .
5,310,250 5/1994 Gonsior .
5,312,844 5/1994 Gonsior et al. .
5,320,417 6/1994 Trosky 280/11.19
5,374,072 12/1994 Landers 280/11.22
5,401,037 3/1995 O'Donnell et al. 301/5.3
5,456,477 10/1995 Bourdeau .

[**] Term: **14 Years**

[21] Appl. No.: **48,802**

[22] Filed: **Dec. 22, 1995**

[51] **LOC (6) Cl.** **21-02**

[52] **U.S. Cl.** **D21/226**

[58] **Field of Search** D21/224-231,
D21/141; D12/207, 208; 280/11.19, 11.2,
11.22, 11.26, 11.27, 809, 825, 841; 301/5.3,
5.4, 5.7

[56] **References Cited**

U.S. PATENT DOCUMENTS

D. 371,409 7/1996 Mohr D21/226
618,890 2/1899 Meeker .
1,188,335 6/1916 Shoemaker .
1,428,210 9/1922 Boche .
2,540,034 1/1951 Maxam et al. .
3,935,831 2/1976 Yamaguchi .
4,090,283 5/1978 Woolley .
4,603,025 7/1986 Landay et al. .
4,909,523 3/1990 Olson .
4,930,844 6/1990 Giroux .
5,028,058 7/1991 Olson .

OTHER PUBLICATIONS

Falcon (Catalogue), 1995, Relevant Pages—A11, Place of Publication: Gardena, California.

Primary Examiner—Raphael Barkai
Attorney, Agent, or Firm—Knobbe, Martens, Olson & Bear, LLP

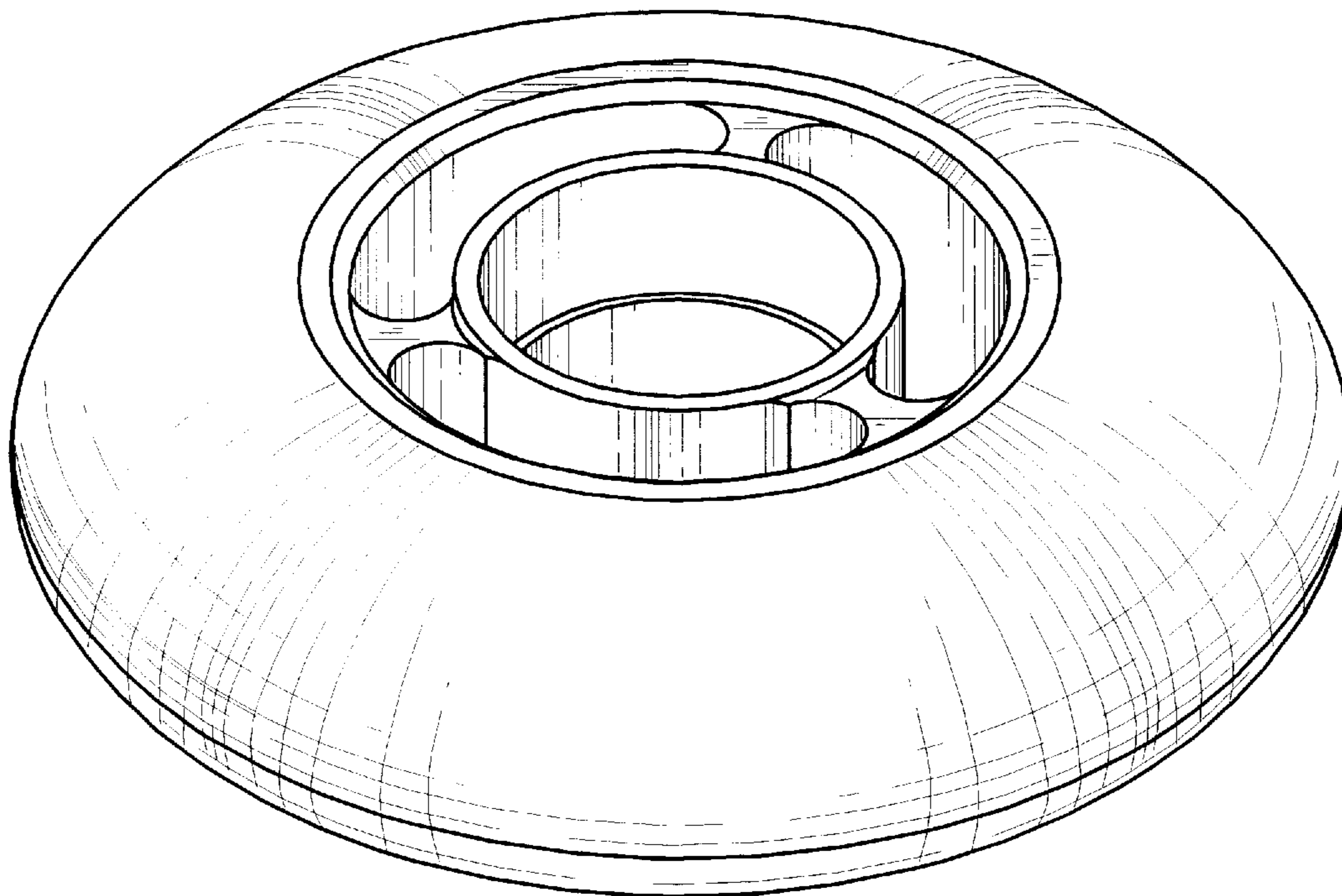
[57] **CLAIM**

The ornamental design for an in-line skate wheel, as shown and described.

DESCRIPTION

FIG. 1 is a perspective view of an in-line skate wheel showing my new design;
FIG. 2 is a top view thereof, the side opposite being identical;
FIG. 3 is a side view thereof; and,
FIG. 4 is a cross-sectional view of the in-line skate wheel along the line 4—4 in FIG. 2.

1 Claim, 3 Drawing Sheets



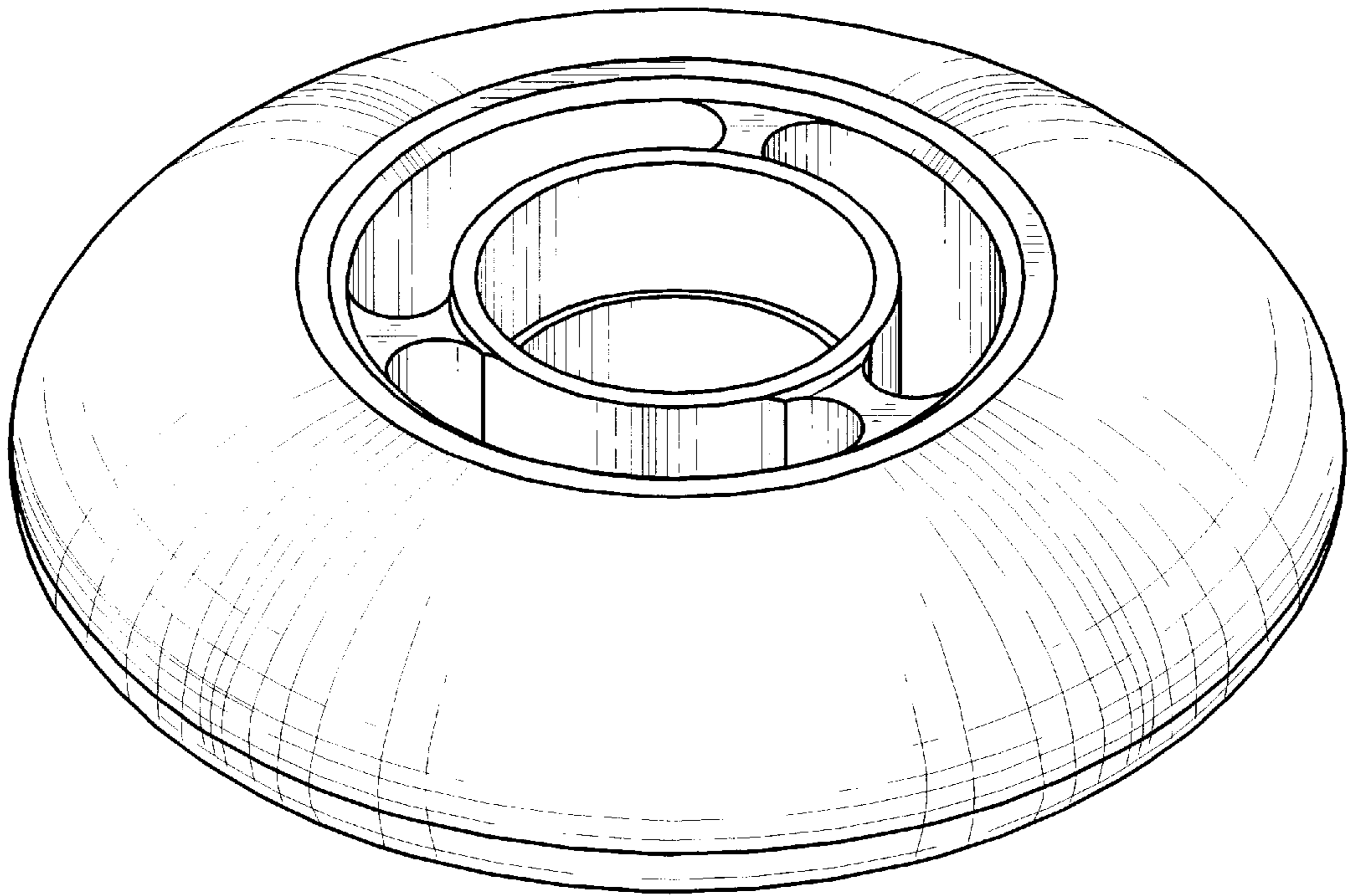


FIG. 1

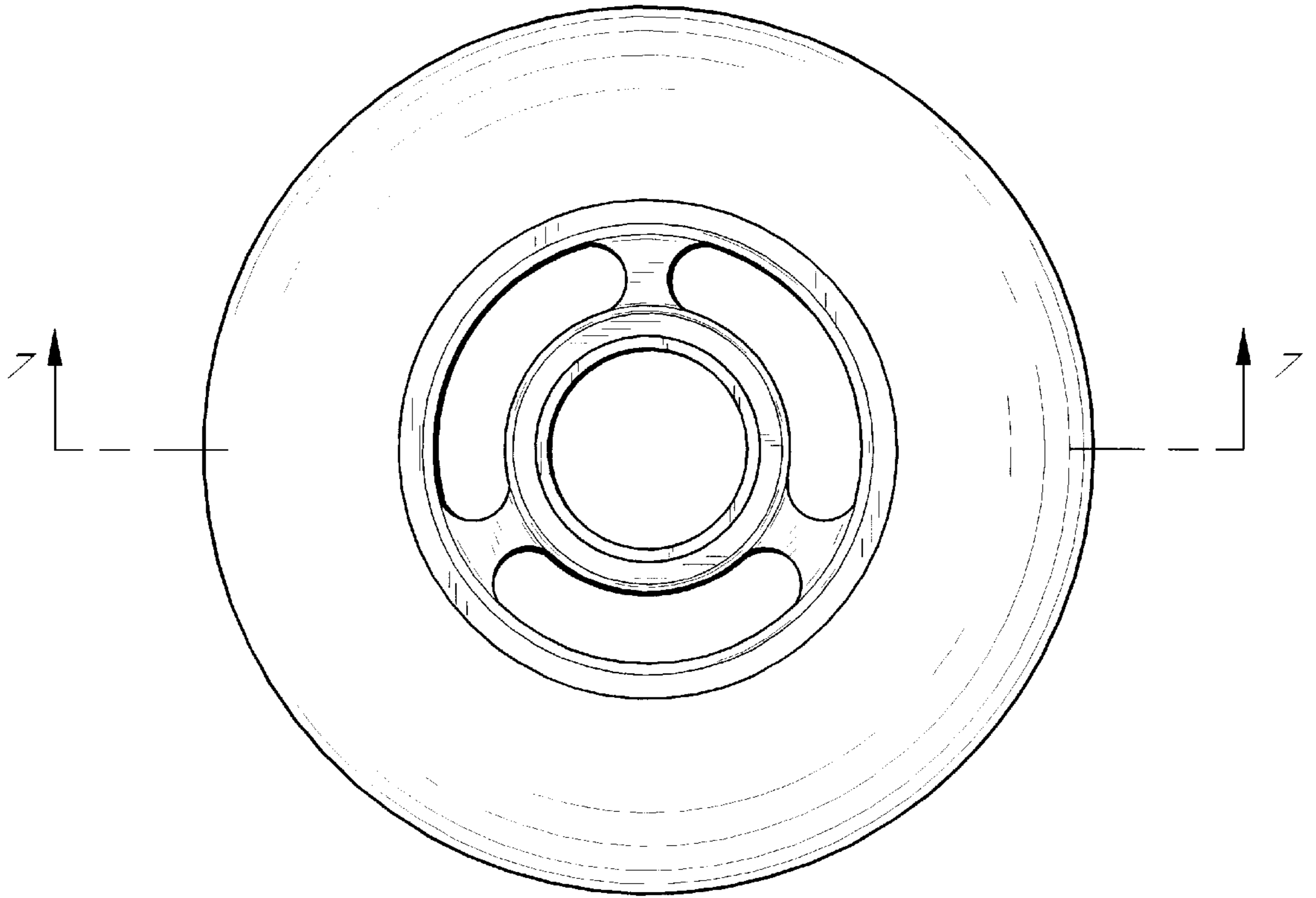


FIG. 2

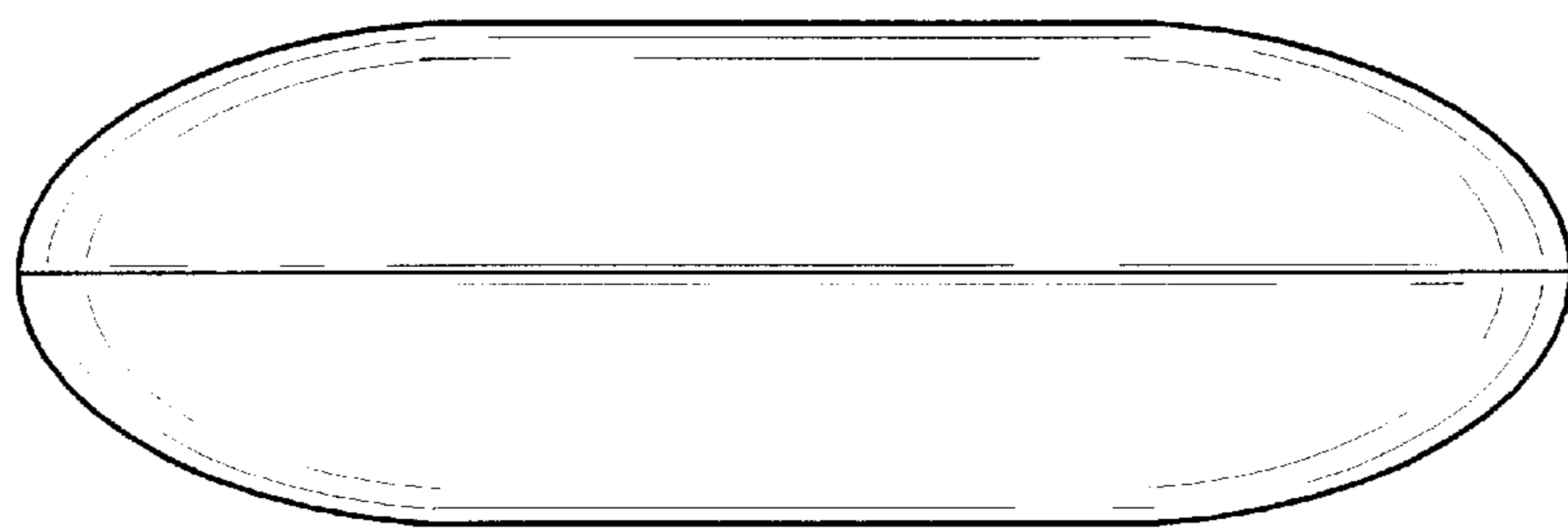


FIG. 3

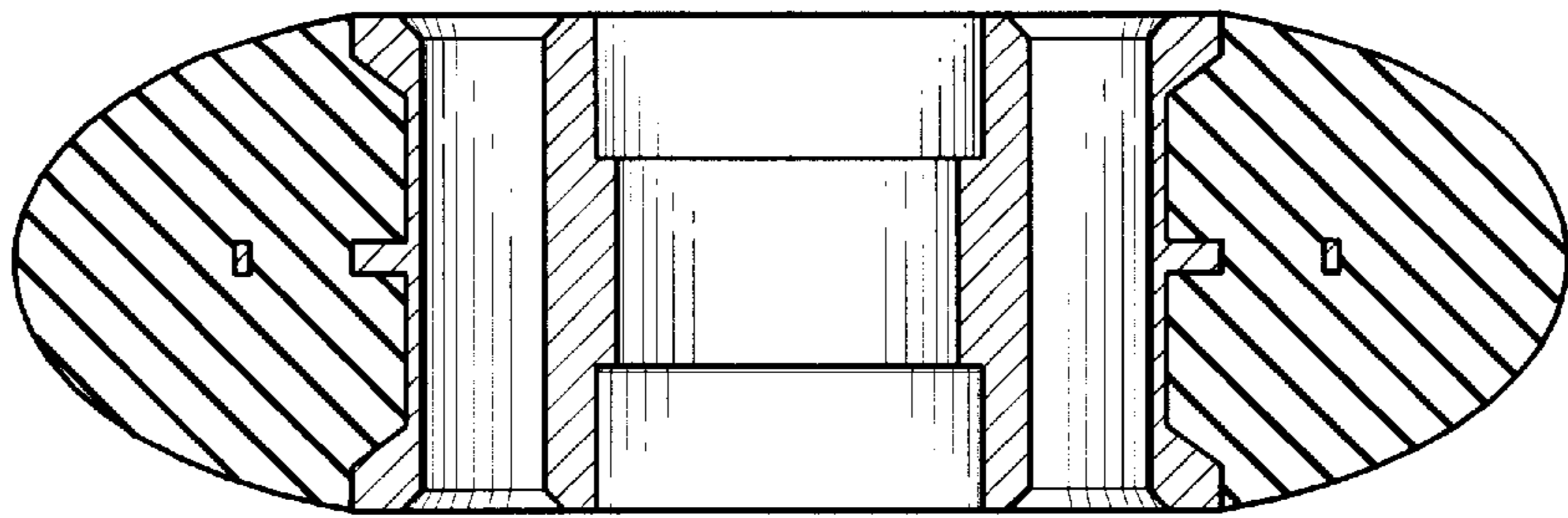


FIG. 4