



US00D398688S

# United States Patent [19]

[11] **Patent Number: Des. 398,688**

Hsu et al.

[45] **Date of Patent: \*\*Sep. 22, 1998**

[54] **GOLF CLUB HOLDER**

[76] Inventors: **Te-Fu Hsu; Chi-Lun Hsu; Sen-Jung Hsu**, all of No. 27, Nong 26, Lane 2, Kuang-Fu St., Yeong-Ho City, Taipei Hsien, Taiwan

[\*\*] Term: **14 Years**

[21] Appl. No.: **70,141**

[22] Filed: **May 1, 1997**

[51] **LOC (6) Cl.** ..... **21-02**

[52] **U.S. Cl.** ..... **D21/223**

[58] **Field of Search** ..... D21/223, 234; 206/315.1, 315.2-315.8; 473/282, 285

[56] **References Cited**

**U.S. PATENT DOCUMENTS**

- D. 348,712 7/1994 Parker, Jr. .... D21/223
- D. 364,912 12/1995 Sowers ..... D21/234
- D. 374,986 10/1996 Dages ..... D21/223 X

*Primary Examiner*—Sandra L. Morris  
*Assistant Examiner*—Mitchell I. Siegel  
*Attorney, Agent, or Firm*—Bucknam and Archer

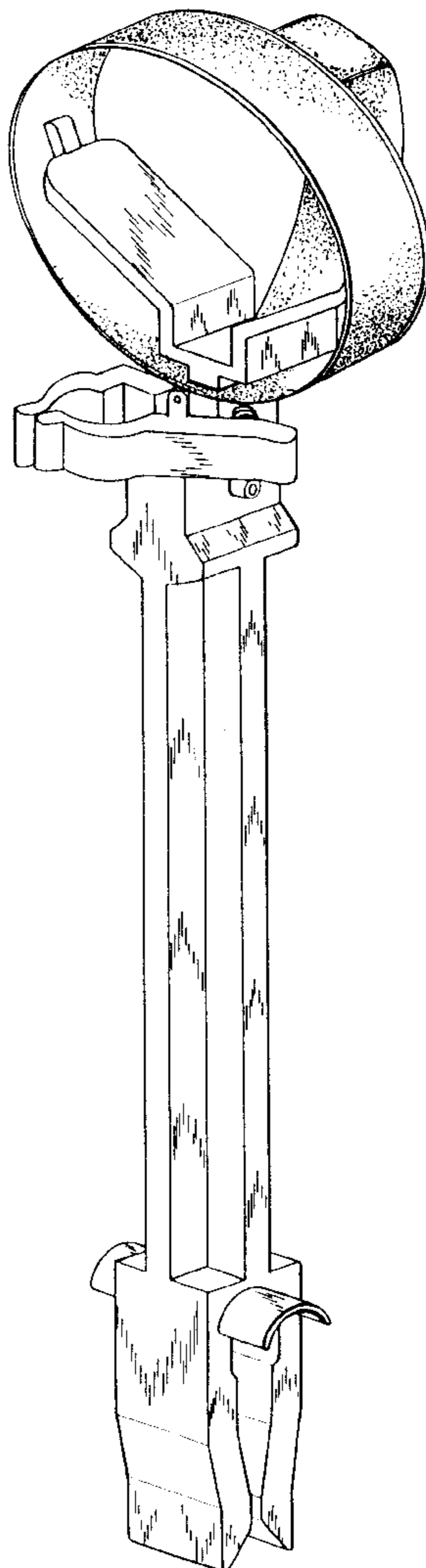
[57] **CLAIM**

The ornamental design for a golf club holder, as shown and described.

**DESCRIPTION**

FIG. 1 is a top plan view of the golf club holder of the present invention;  
FIG. 2 is a bottom plan view of the golf club holder of the present invention;  
FIG. 3 is a front elevational view of the golf club holder of the present invention;  
FIG. 4 is a right side elevational view of the golf club holder of the present invention;  
FIG. 5 is a left side elevational view of the golf club holder of the present invention;  
FIG. 6 is a rear side elevational view of the golf club holder of the present invention; and,  
FIG. 7 is a perspective view of the golf club holder of the present invention.

**1 Claim, 4 Drawing Sheets**



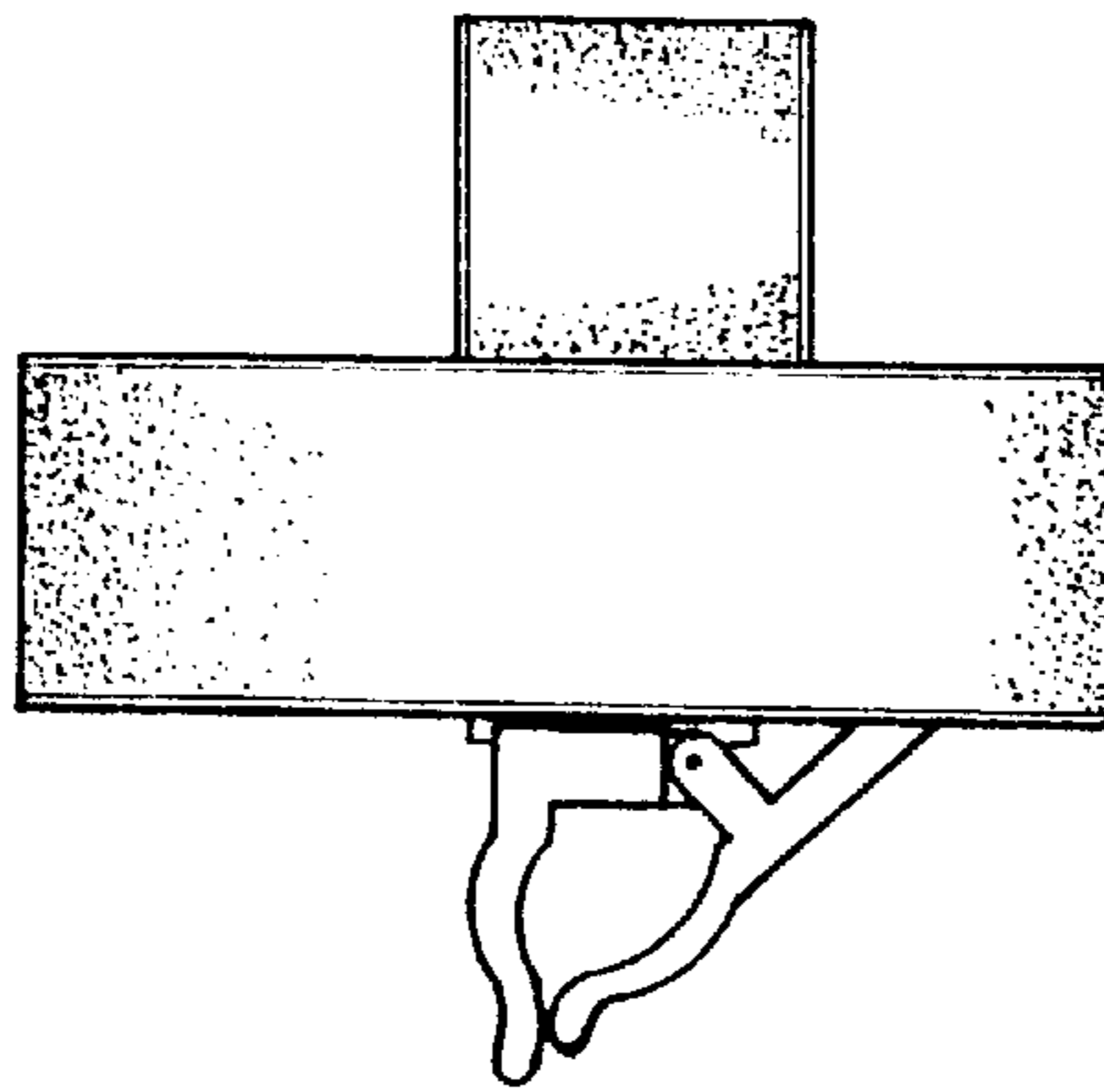


FIG. 1

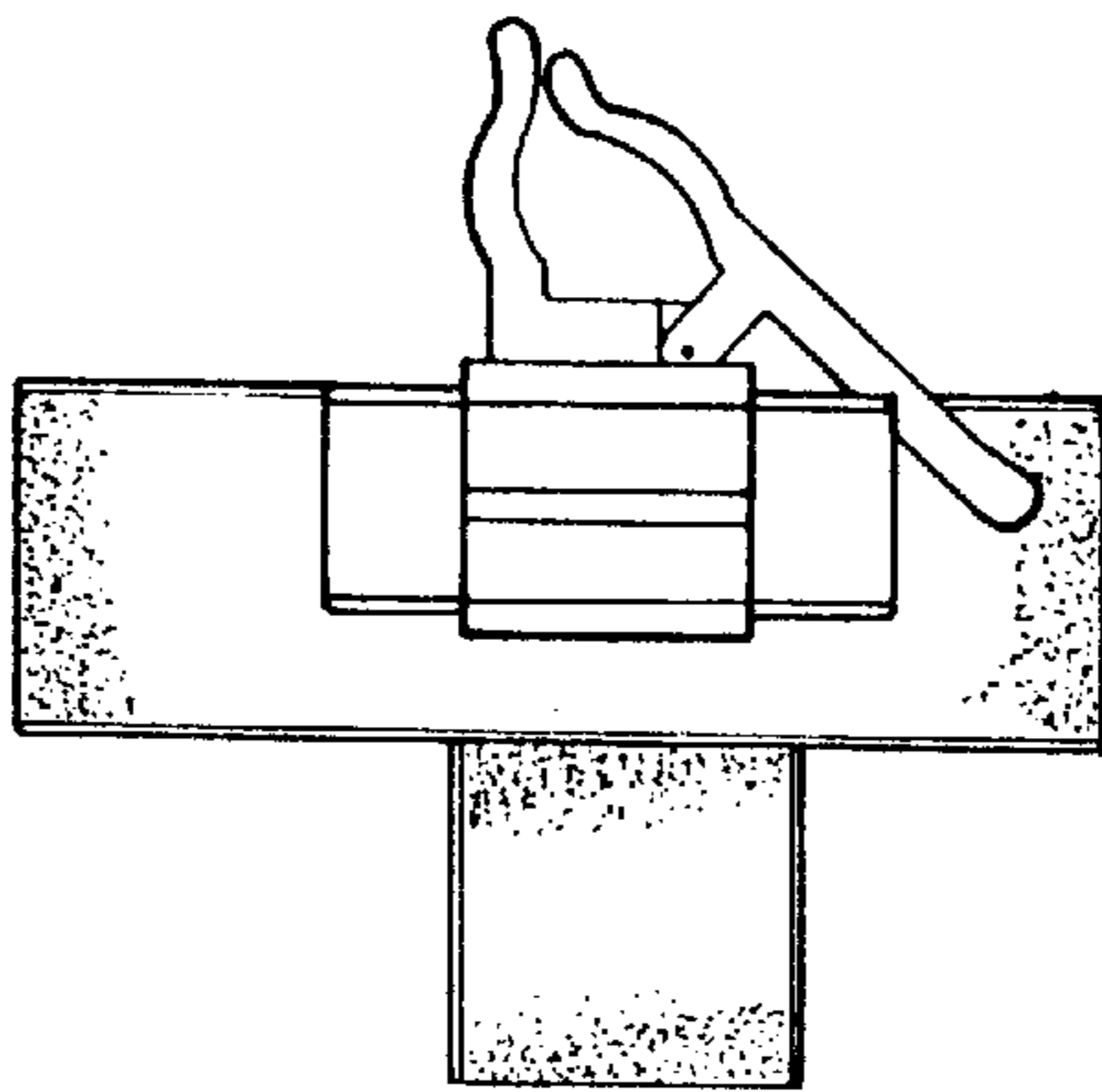


FIG. 2

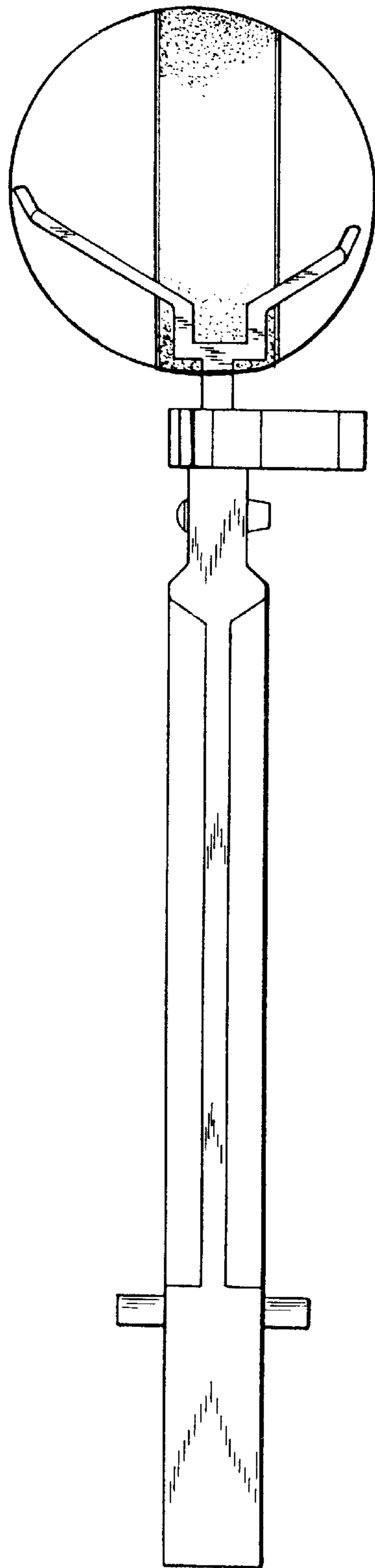


FIG. 3

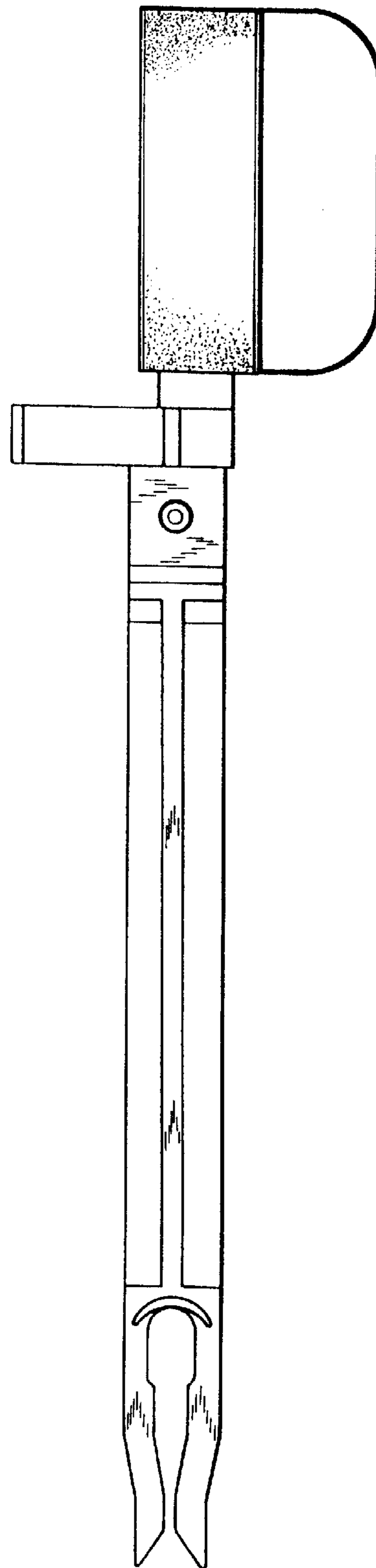


FIG. 4

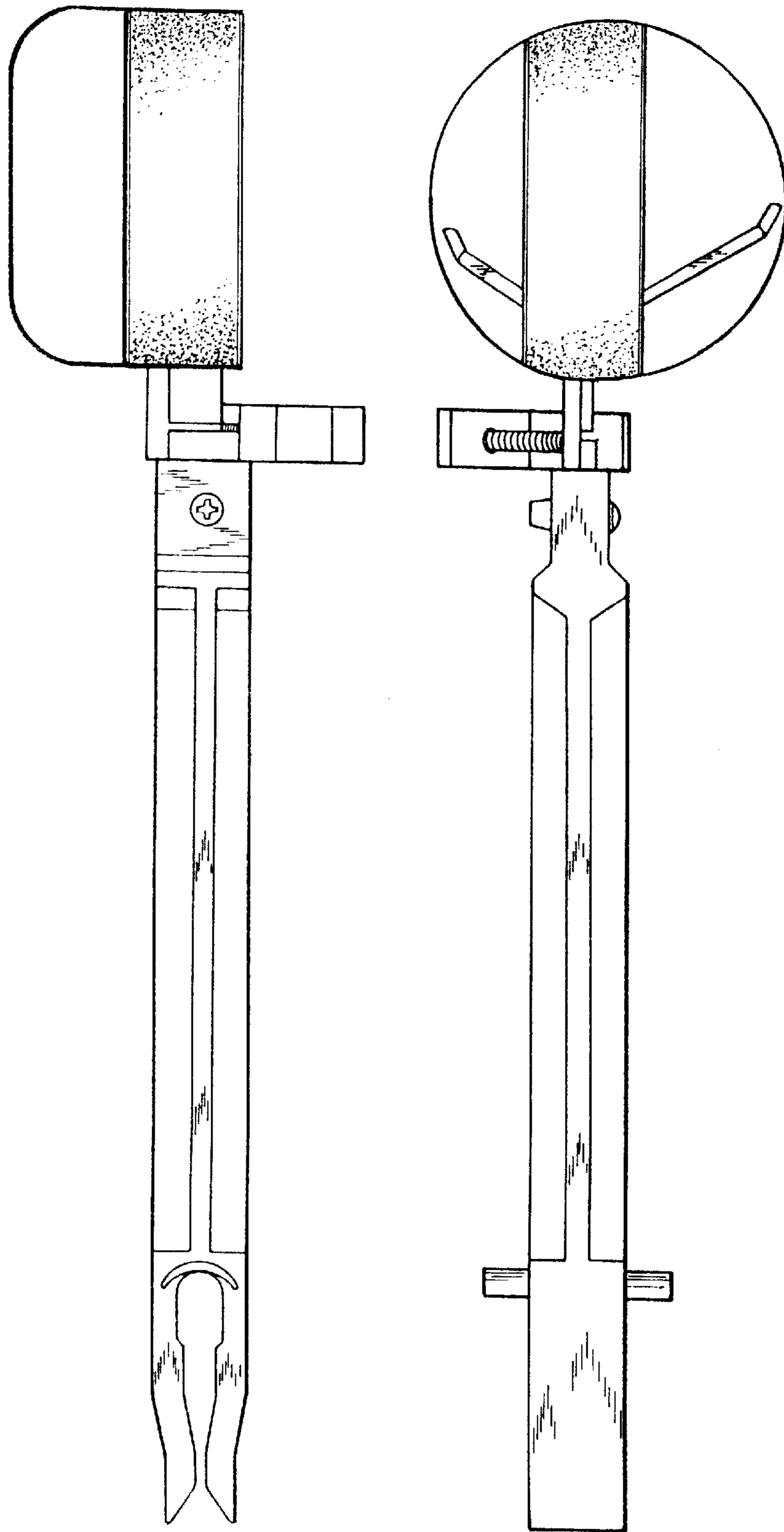


FIG. 5

FIG. 6

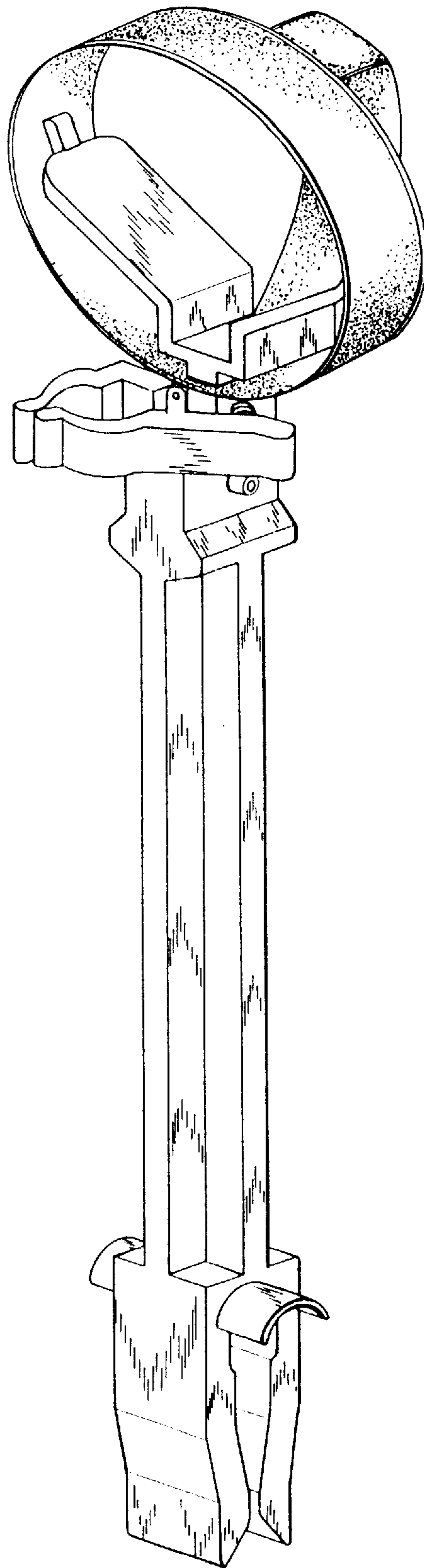


FIG. 7