



US00D398677S

United States Patent [19]

Kysilka

[11] **Patent Number: Des. 398,677**

[45] **Date of Patent: **Sep. 22, 1998**

[54] **EXERCISE DEVICE WITH ULTRAVIOLET SHIELD**

[76] Inventor: **James Otto Kysilka**, 1355 Dr. Beatrous Rd., Theriot, La. 70397

[**] Term: **14 Years**

[21] Appl. No.: **67,216**

[22] Filed: **Feb. 26, 1997**

[51] **LOC (6) Cl.** **21-02**

[52] **U.S. Cl.** **D21/198**

[58] **Field of Search** D21/191, 198;
D8/382, 300, 356, 367, 333; 482/121, 122,
123, 124

[56] **References Cited**

U.S. PATENT DOCUMENTS

D. 238,548	1/1976	Seakan	D8/333
4,090,706	5/1978	Reda	482/122
4,609,191	9/1986	Remme	482/122

4,690,401	9/1987	Cho	482/122
4,783,067	11/1988	Palmer	482/122
4,852,874	8/1989	Sleichter, III et al.	482/122
5,314,396	5/1994	Parr	482/122

Primary Examiner—Philip S. Hyder
Attorney, Agent, or Firm—Merchant, Gould, Smith, Edell, Welter & Schmidt

[57] **CLAIM**

The oramental design for an exercise device with ultraviolet shield, as shown and described.

DESCRIPTION

FIG. 1 is a perspective view of an exercise device with ultraviolet shield, showing my new design;
FIG. 2 is a front elevational view;
FIG. 3 is a top view of my new design;
FIG. 4 is a right side elevational view; and,
FIG. 5 is a left side elevational view.

1 Claim, 2 Drawing Sheets

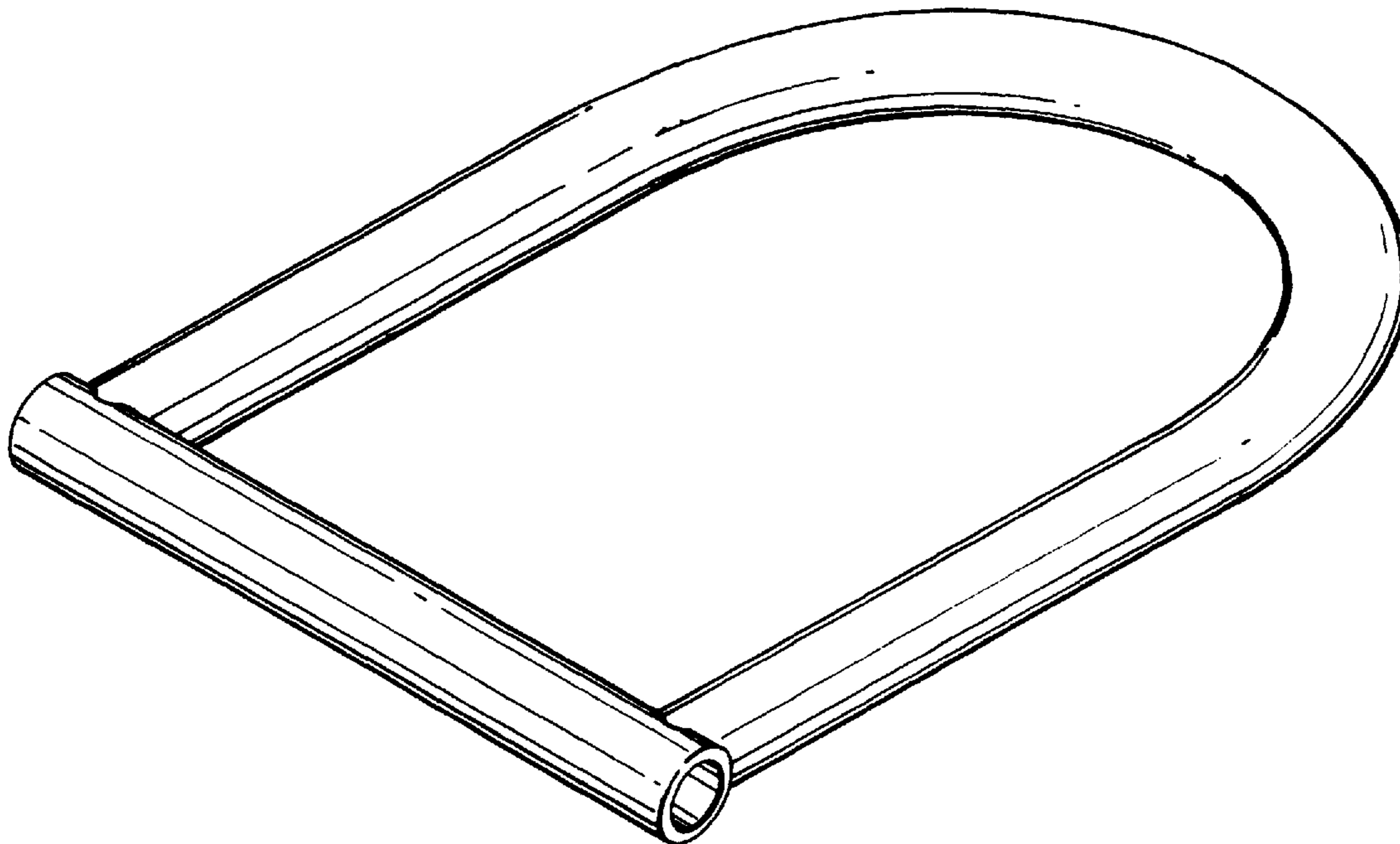


FIG. 1

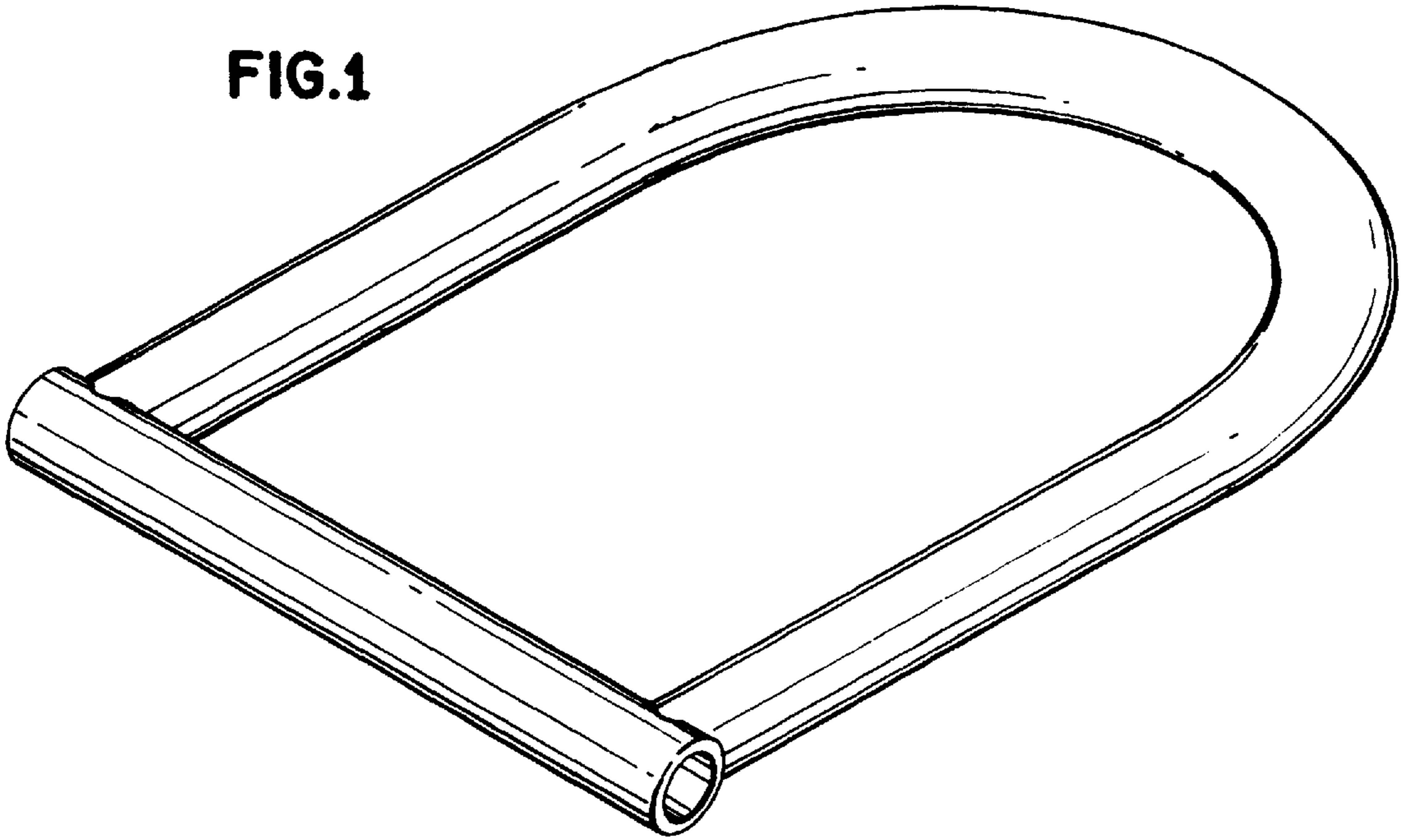


FIG. 2

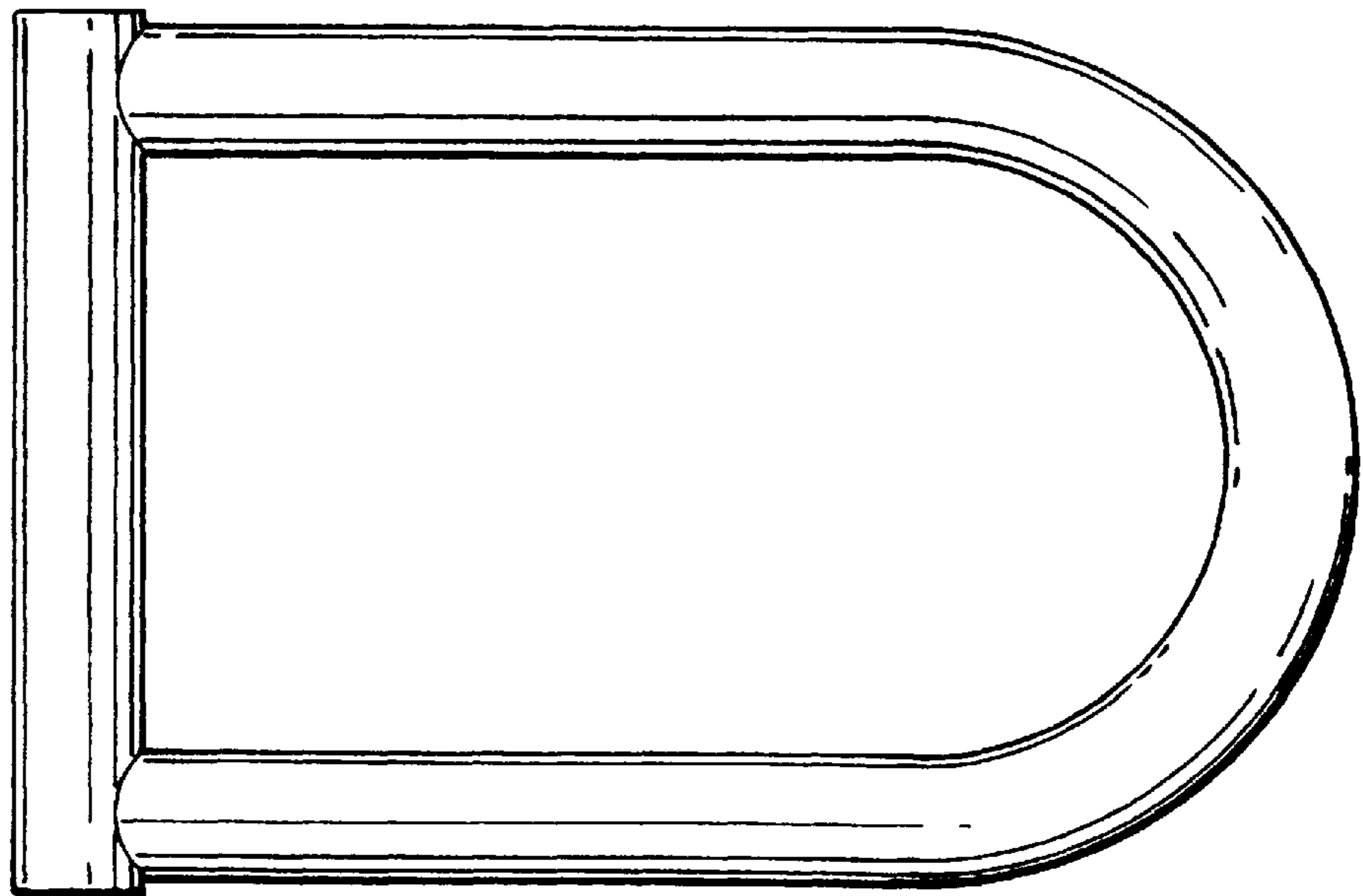


FIG. 3

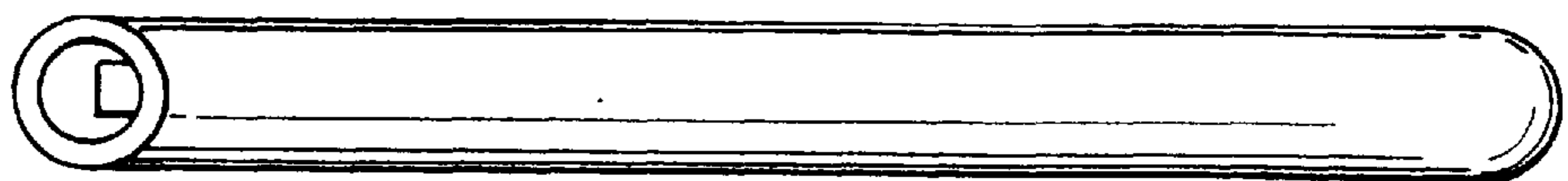




FIG. 4



FIG. 5