



US00D398676S

**United States Patent** [19]  
**Marney**

[11] **Patent Number: Des. 398,676**

[45] **Date of Patent: \*\*Sep. 22, 1998**

[54] **WRIST SUPPORTING WEIGHT LIFTING DUMBBELL**

5,350,345 9/1994 Frey ..... 482/108  
5,573,484 11/1996 Carpenter ..... 482/108

[76] Inventor: **Marvin Marney**, 188 Wilton Dr., #2, Campbell, Calif. 95008

*Primary Examiner*—Philip S. Hyder  
*Attorney, Agent, or Firm*—Carol D. Titus; James J. Leary

[\*\*] Term: **14 Years**

[57] **CLAIM**

[21] Appl. No.: **64,800**

The ornamental design for a wrist supporting weight lifting dumbbell, as shown and described.

[22] Filed: **Jan. 10, 1997**

**DESCRIPTION**

**Related U.S. Application Data**

[63] Continuation-in-part of Ser. No. 603,443, Feb. 20, 1996, abandoned.

FIG. 1 is a perspective view of the wrist supporting weight lifting dumbbell;

[51] **LOC (6) Cl.** ..... **21-02**

FIG. 2 is a right side view thereof;

[52] **U.S. Cl.** ..... **D21/197**

FIG. 3 is a left side view thereof;

[58] **Field of Search** ..... D21/191, 196, D21/197, 198; 482/106, 107, 108

FIG. 4 is a top view thereof;

FIG. 5 is a bottom view thereof;

FIG. 6 is a front view thereof;

FIG. 7 is a back view thereof;

FIG. 8 is a top view thereof, the broken line showing of a user's hand is for illustrative purposes only and forms no part of the claimed design;

[56] **References Cited**

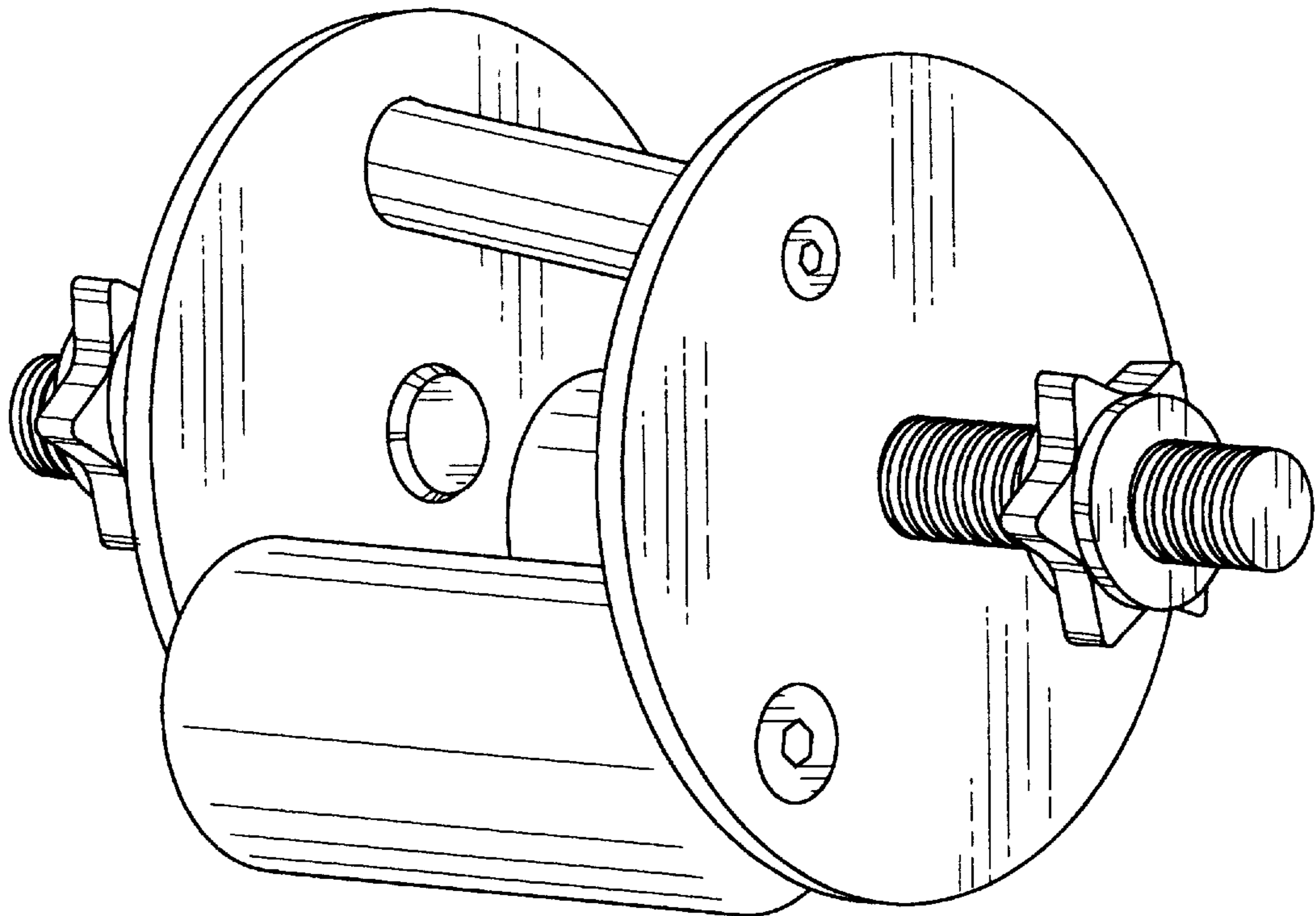
**U.S. PATENT DOCUMENTS**

D. 271,407	11/1983	Wright	.....	D21/197
D. 315,003	2/1991	Huang	.....	D21/197
D. 321,230	10/1991	Leonesio	.....	D21/197
D. 372,945	8/1996	Morgan	.....	D21/196
4,607,840	8/1986	Harper	.....	482/108
4,768,780	9/1988	Hayes	.....	482/108
5,110,119	5/1992	Arnold	.....	482/108

FIG. 9 is a bottom view thereof, the broken line showing of a user's hand is for illustrative purposes only and forms no part of the claimed design; and,

FIG. 10 is a cross-sectional view thereof, the broken line showing of a user's hand and forearm is for illustrative purposes only and forms no part of the claimed design.

**1 Claim, 5 Drawing Sheets**



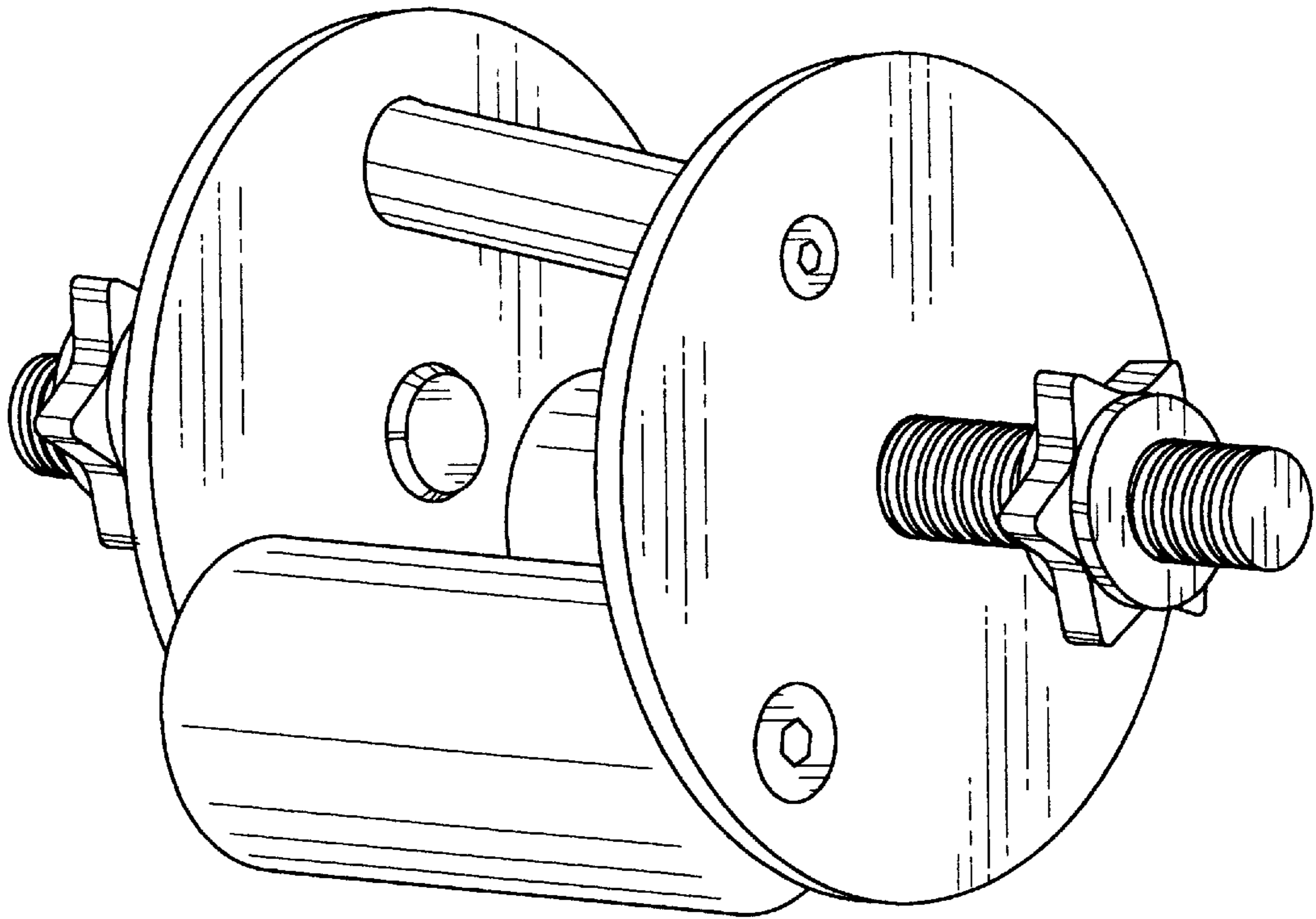


Fig. 1

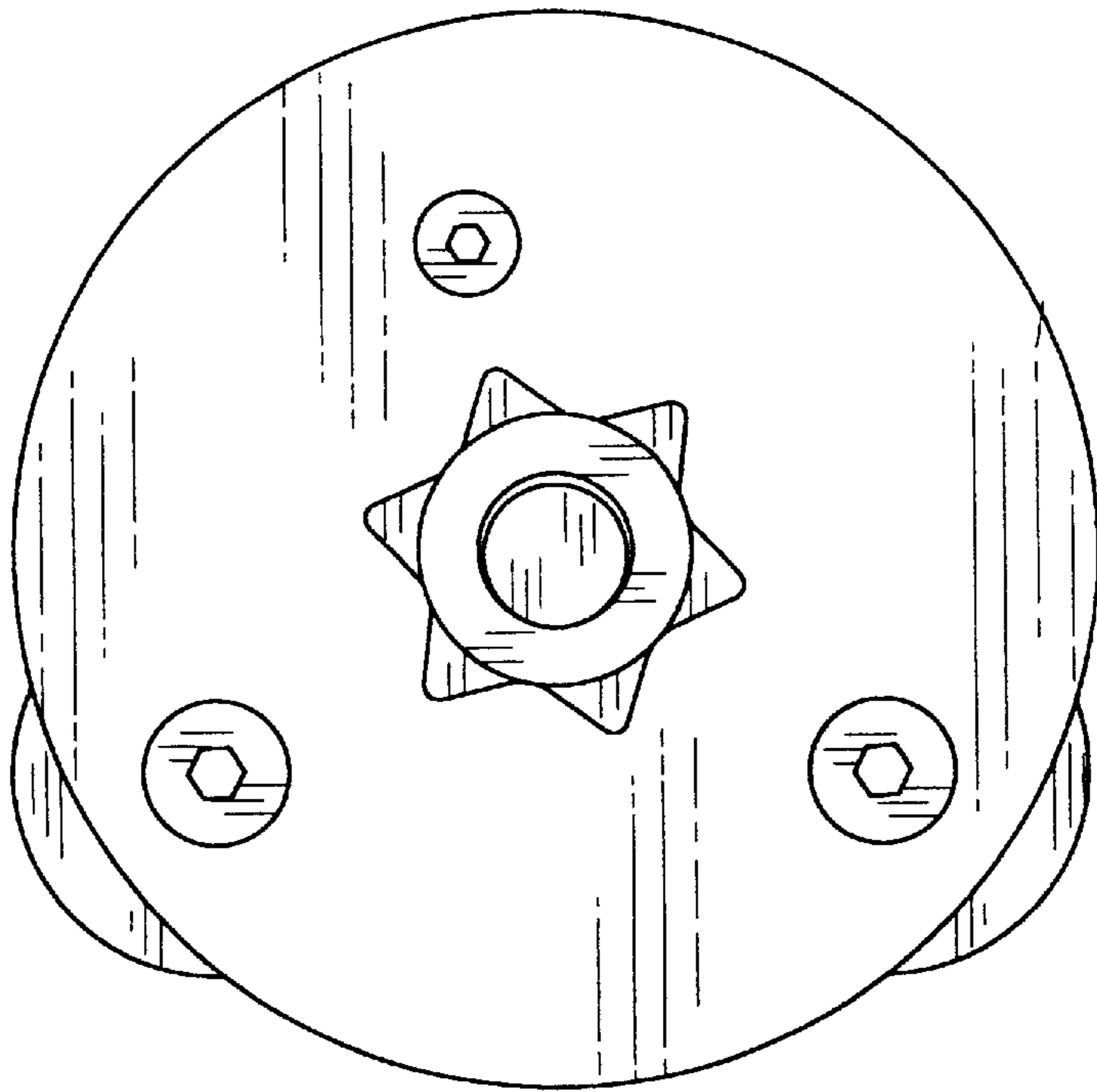


Fig. 2

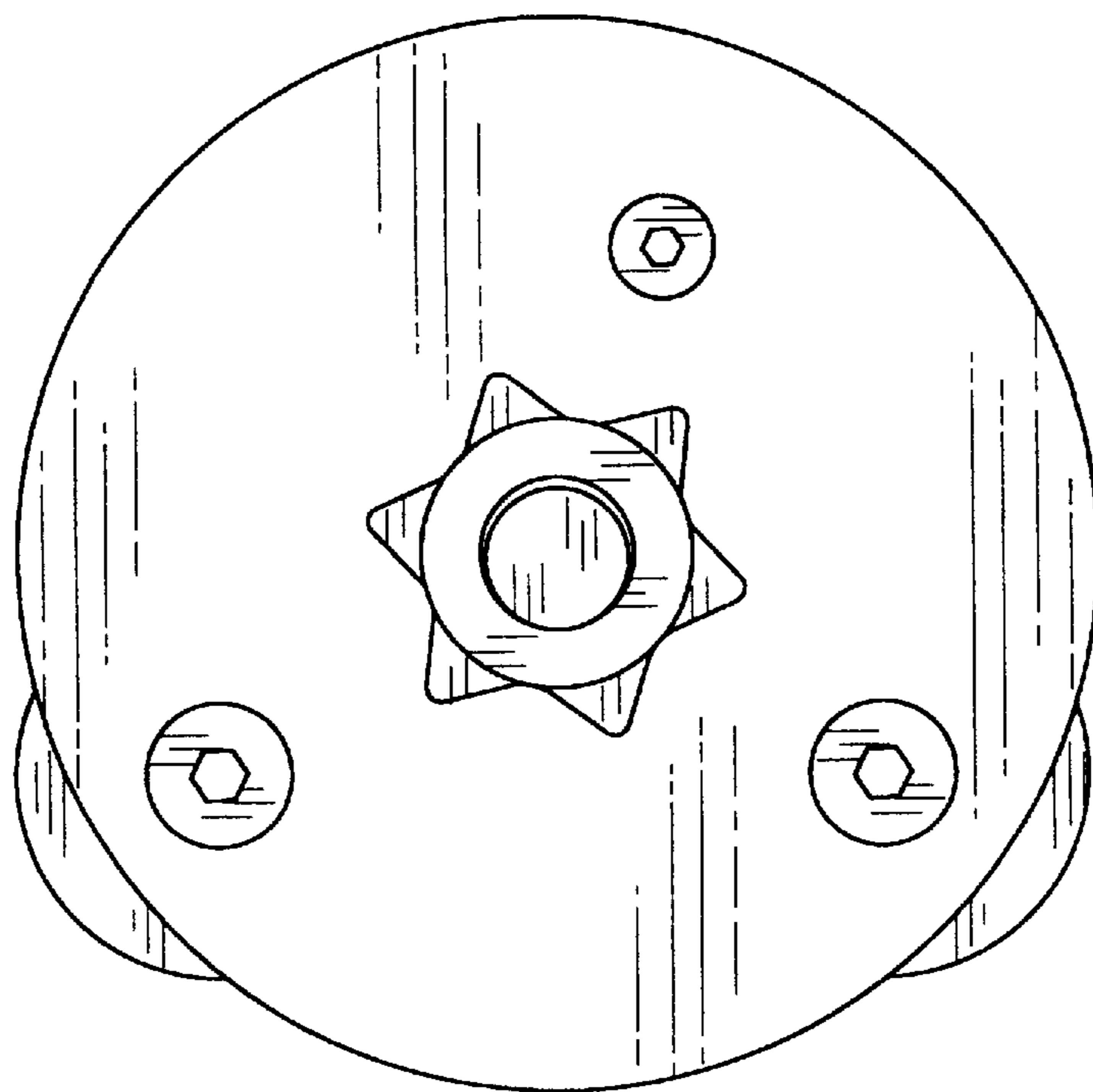


Fig. 3

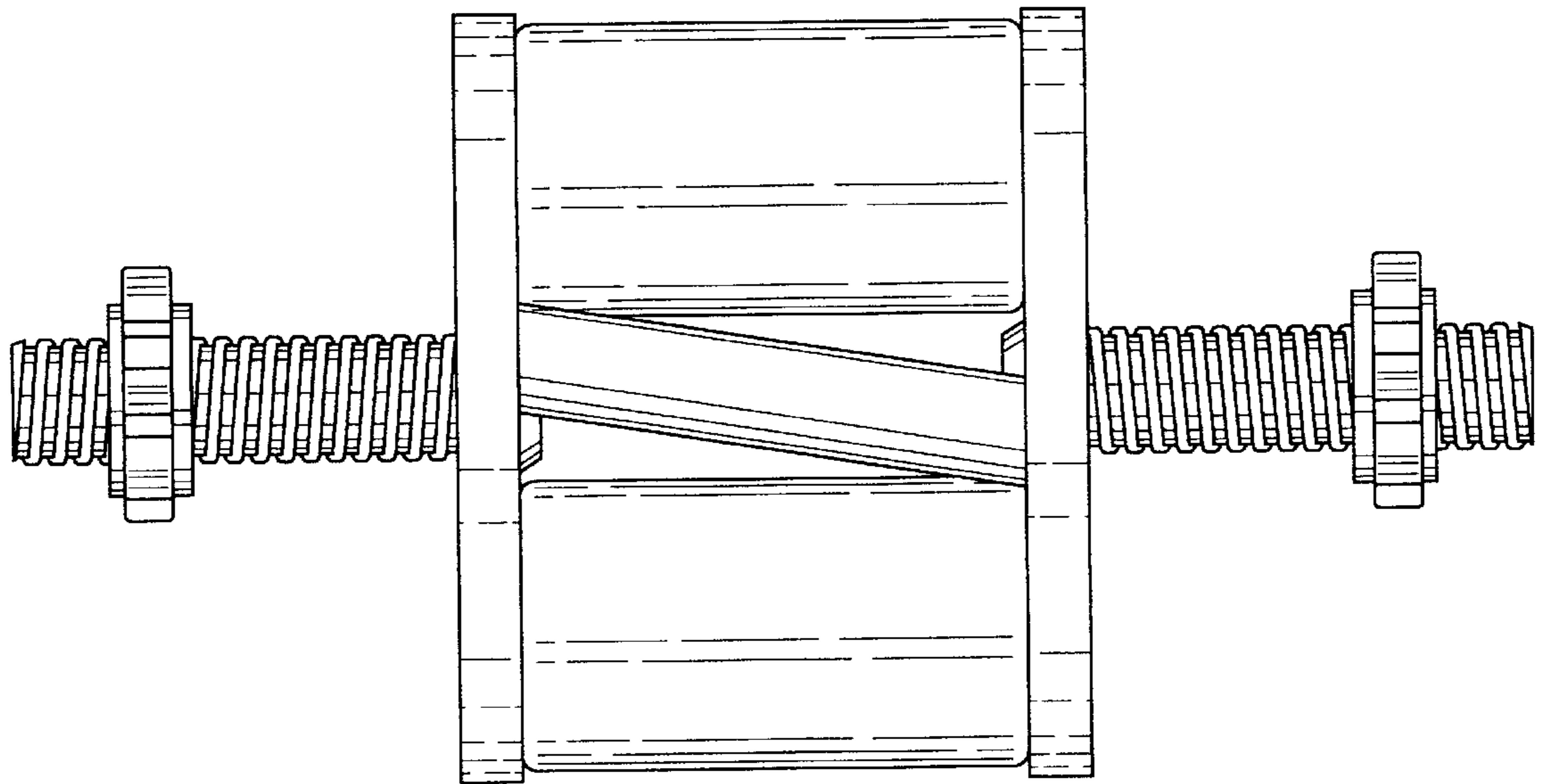


Fig. 4

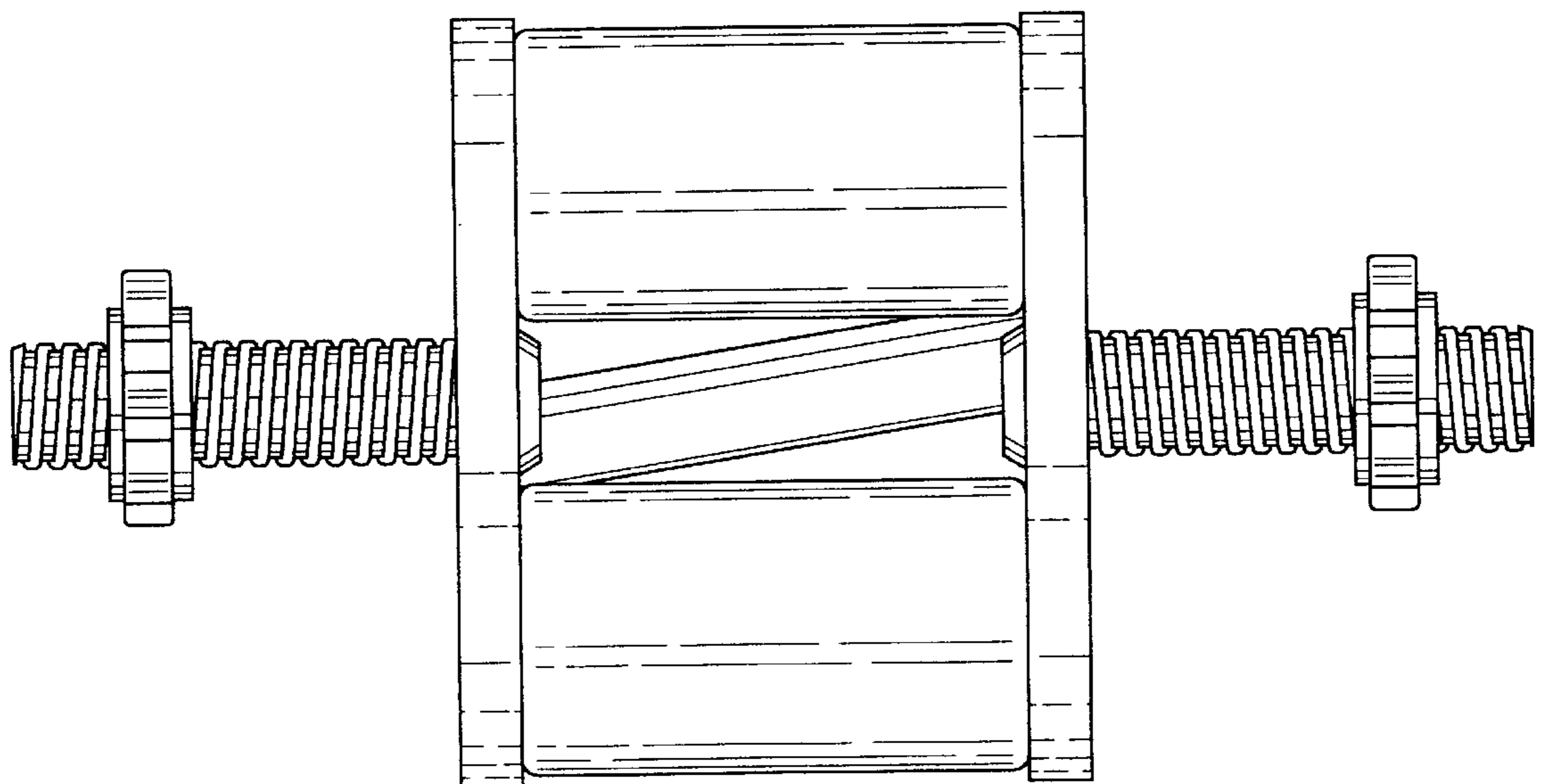


Fig. 5

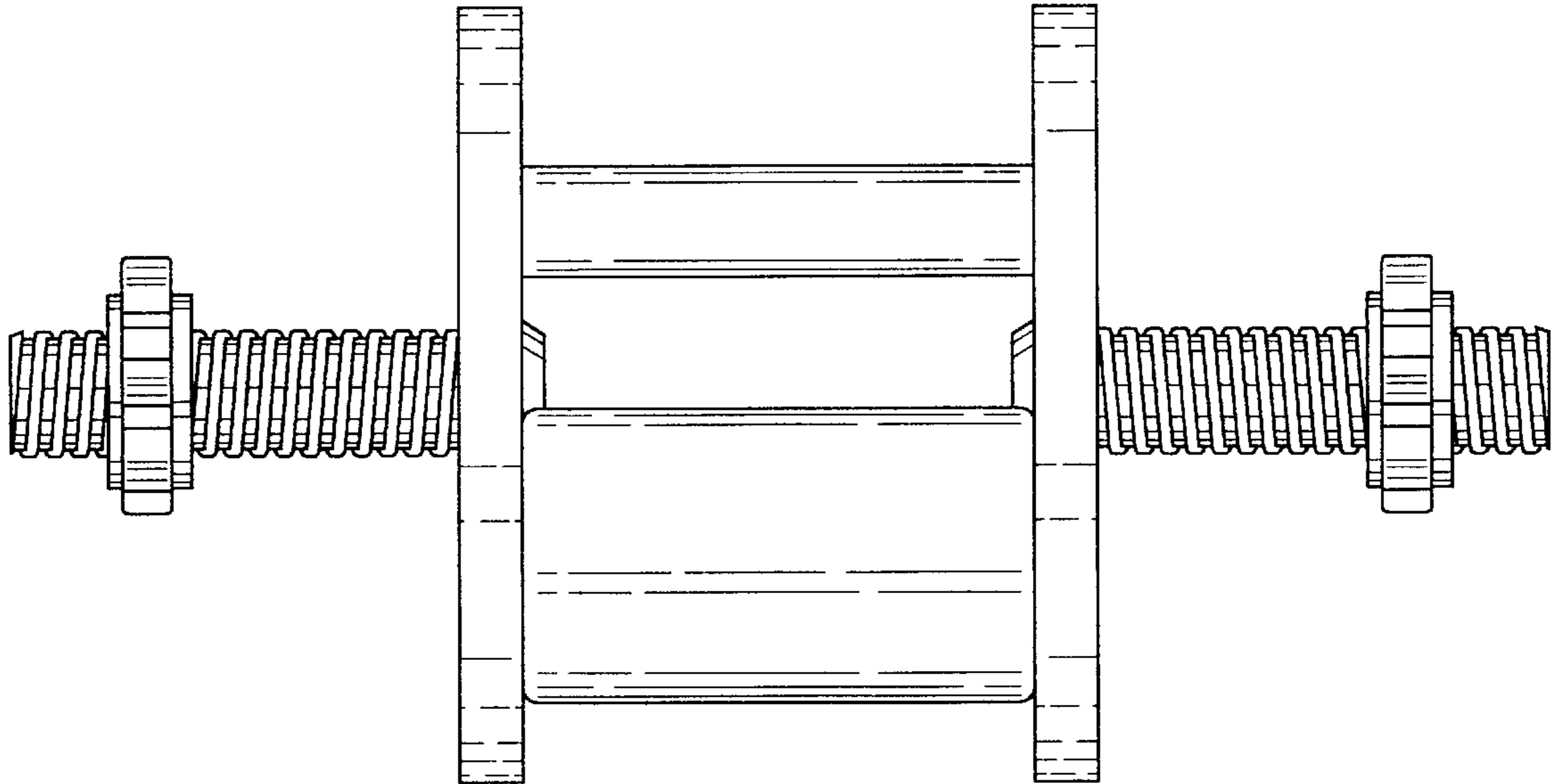


Fig. 6

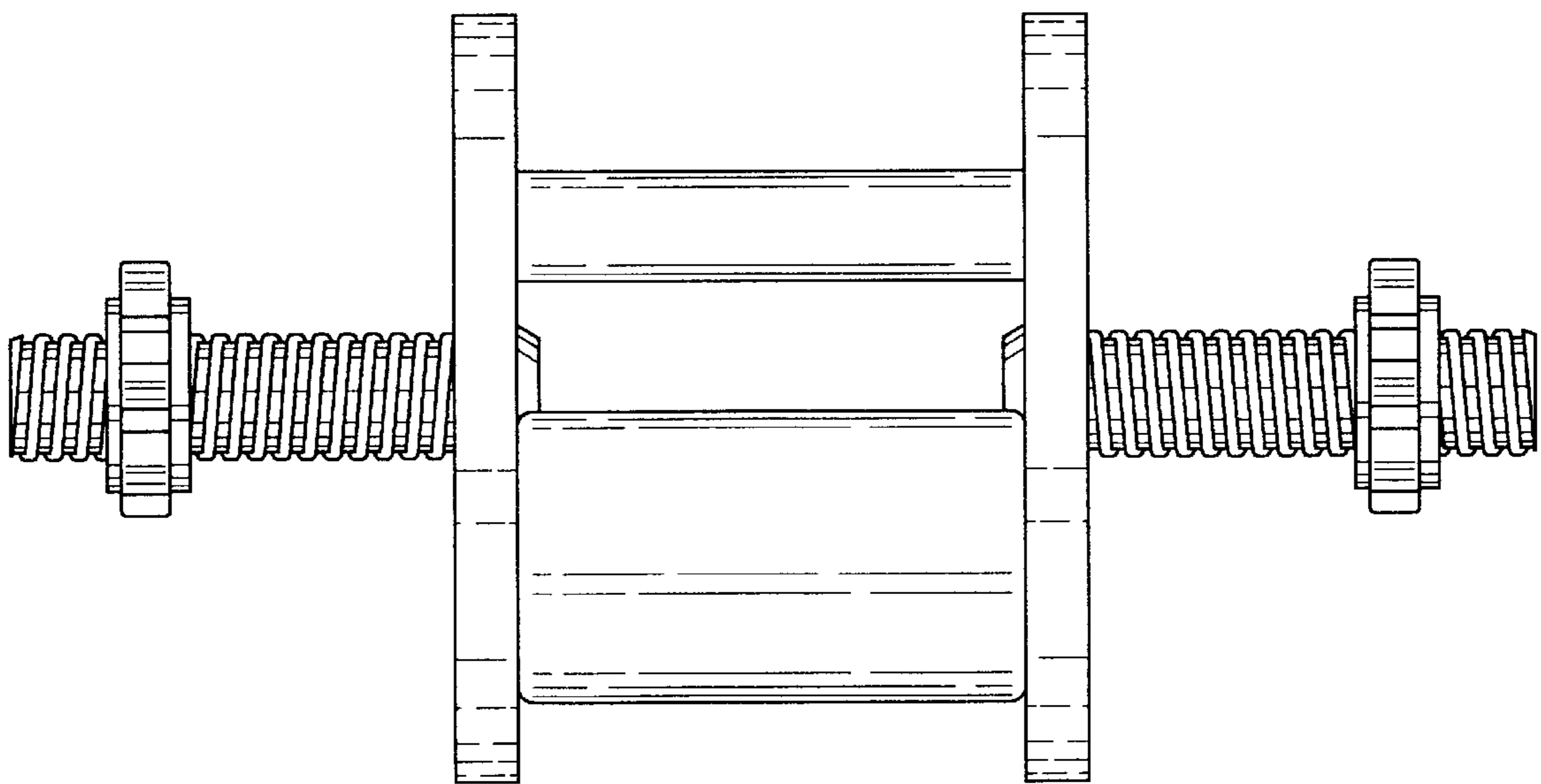


Fig. 7



