



US00D398674S

# United States Patent [19] Huang

[11] Patent Number: **Des. 398,674**

[45] Date of Patent: **\*\*Sep. 22, 1998**

[54] EXERCISER

[76] Inventor: **Hui-Mei Huang**, No. 61, Mai Jou II Rd., I Lan City, Taiwan

[\*\*] Term: **14 Years**

[21] Appl. No.: **77,318**

[22] Filed: **Sep. 30, 1997**

[51] LOC (6) Cl. .... **21-02**

[52] U.S. Cl. .... **D21/194**

[58] Field of Search ..... D21/191, 192,  
D21/193, 194, 195; 482/51, 52, 53, 57,  
58, 59

[56] **References Cited**

**U.S. PATENT DOCUMENTS**

D. 299,371	1/1989	Tsuyama	.....	D21/194
D. 307,167	4/1990	Lucas et al.	.....	D21/194
D. 318,505	7/1991	Gustafsson et al.	.....	D21/194
D. 319,675	9/1991	Byrd et al.	.....	D21/194

D. 353,638	12/1994	Camfield et al.	.....	D21/194
D. 366,298	1/1996	Wu	.....	D21/194
5,443,434	8/1995	Buchanan et al.	.....	482/59

*Primary Examiner*—Philip S. Hyder  
*Attorney, Agent, or Firm*—Pro-Techtor International Services

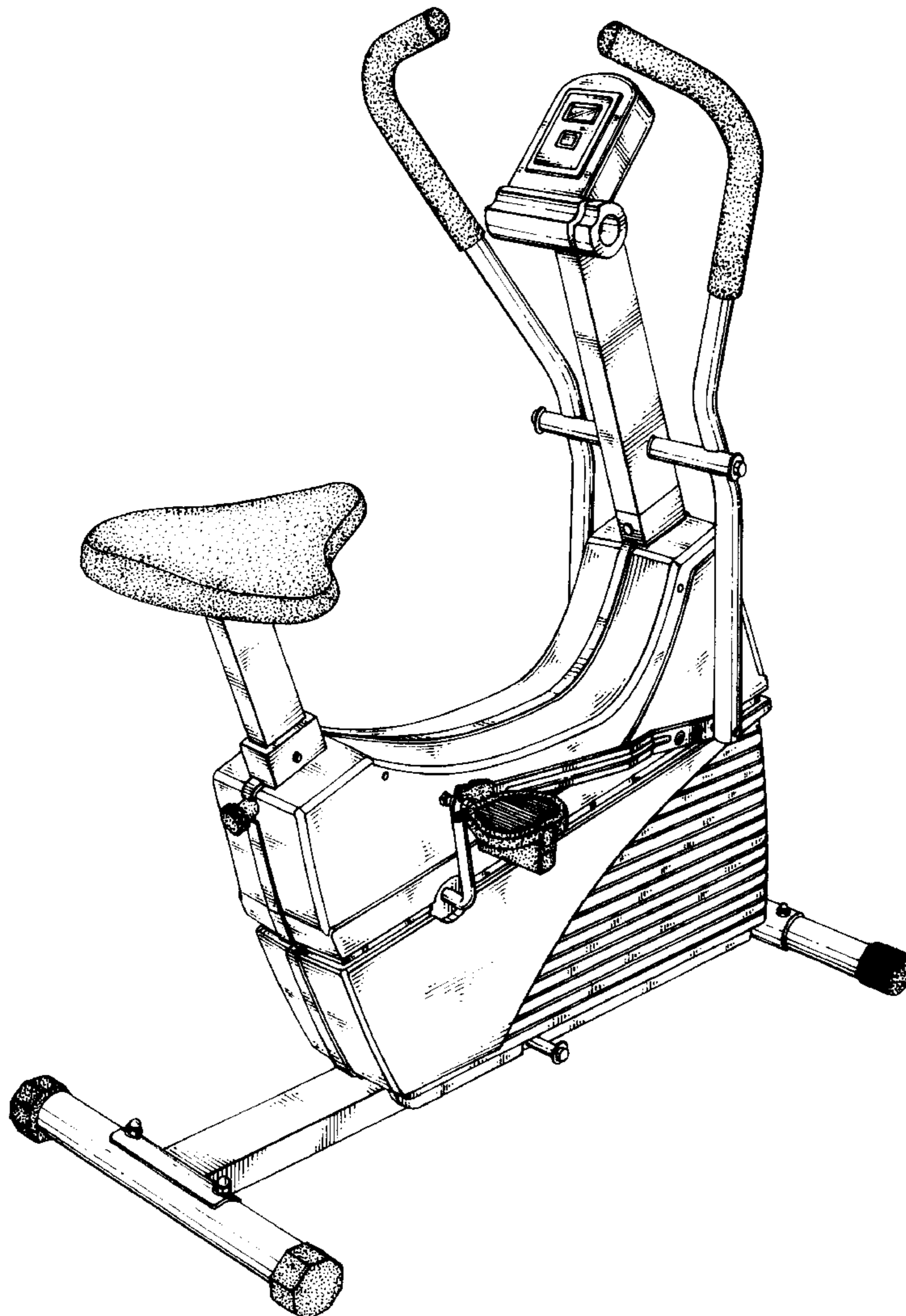
[57] **CLAIM**

The ornamental design for an exerciser, as shown and described.

**DESCRIPTION**

FIG. 1 is a perspective view of an exerciser showing my new design;  
FIG. 2 is a front elevational view thereof;  
FIG. 3 is a rear elevational view thereof;  
FIG. 4 is a top plan view thereof;  
FIG. 5 is a bottom plan view thereof;  
FIG. 6 is a left side elevational view thereof; and,  
FIG. 7 is a right side elevational view thereof.

**1 Claim, 7 Drawing Sheets**



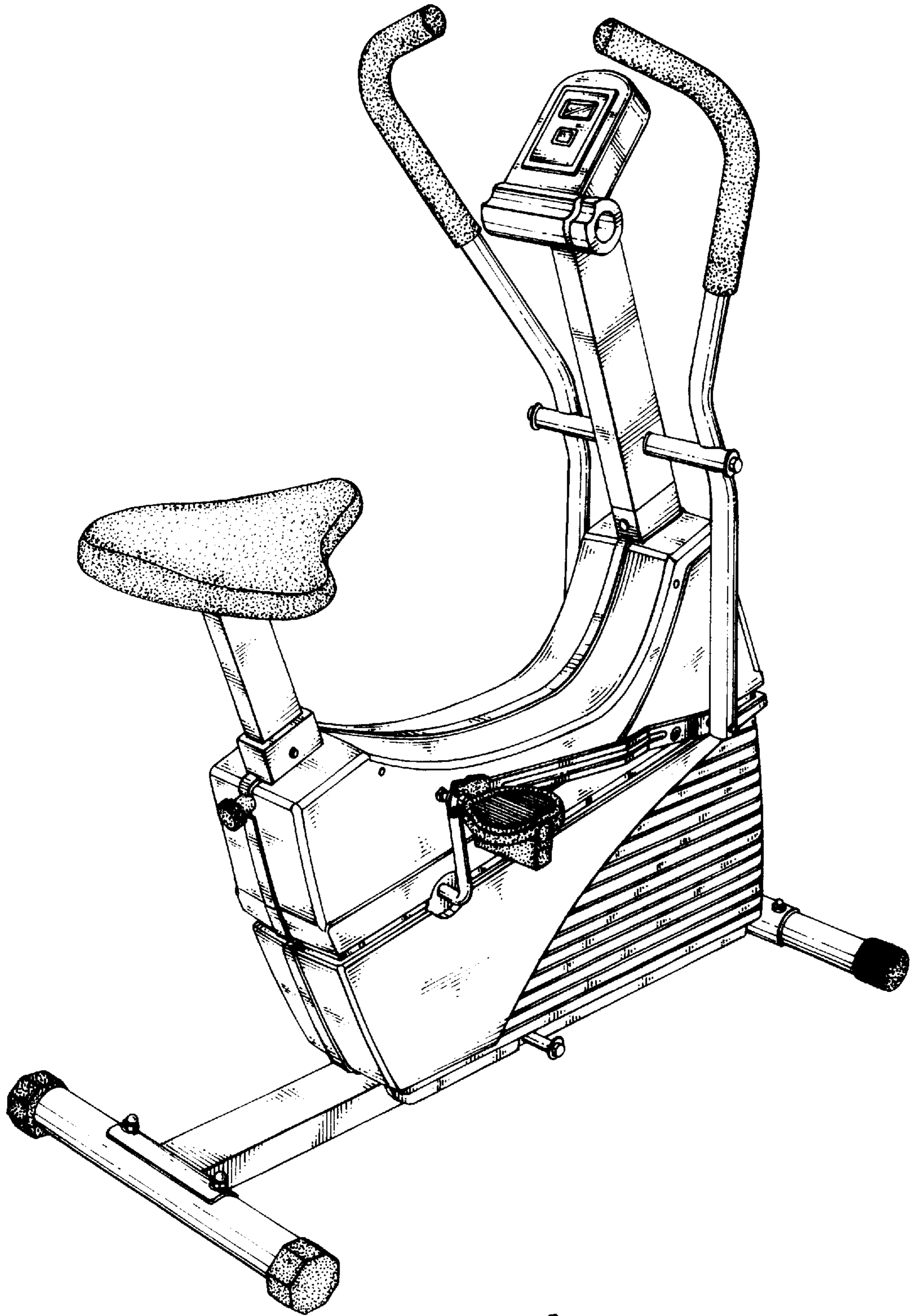


Fig. 1

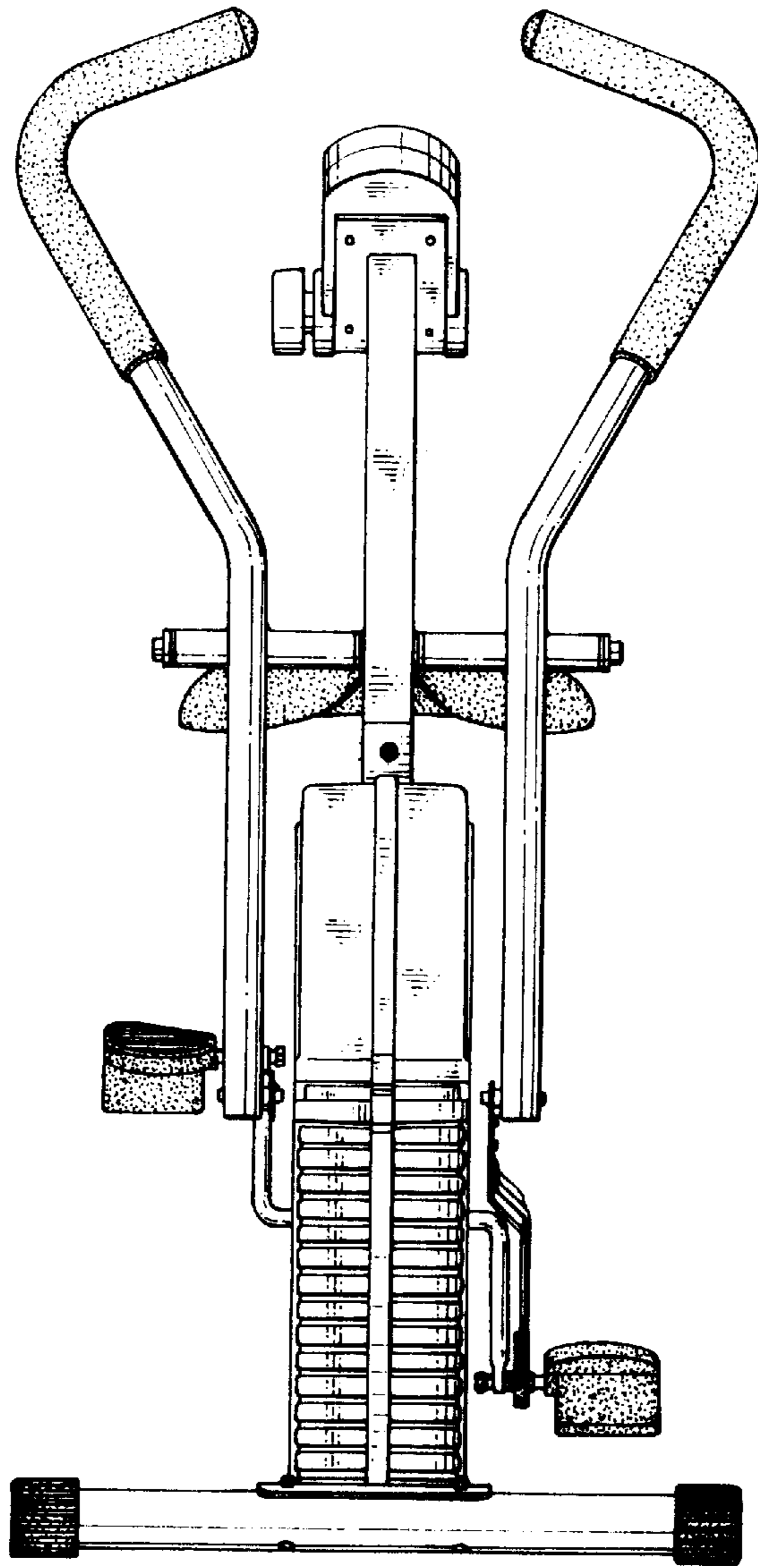


Fig. 2

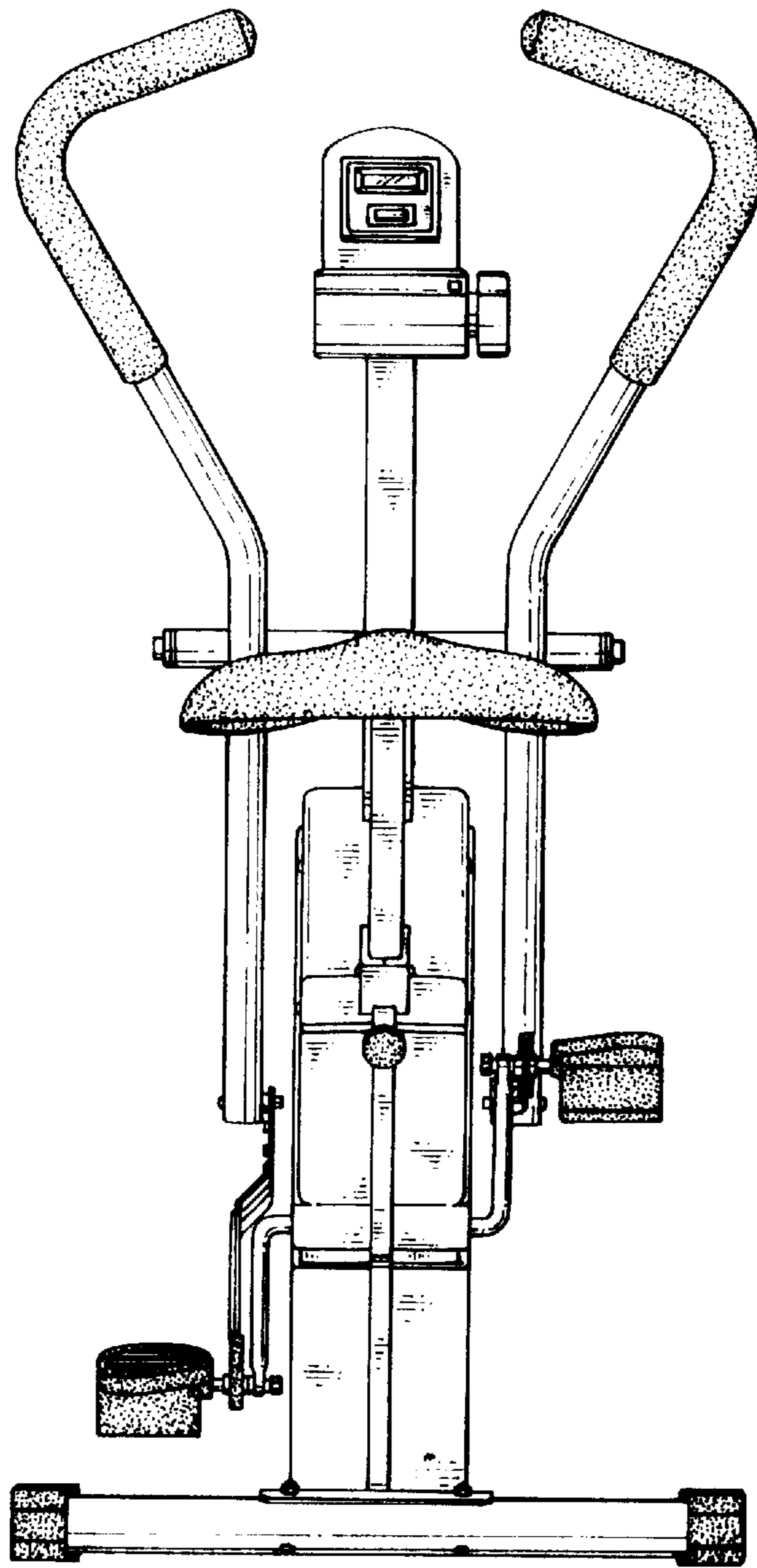


Fig. 3



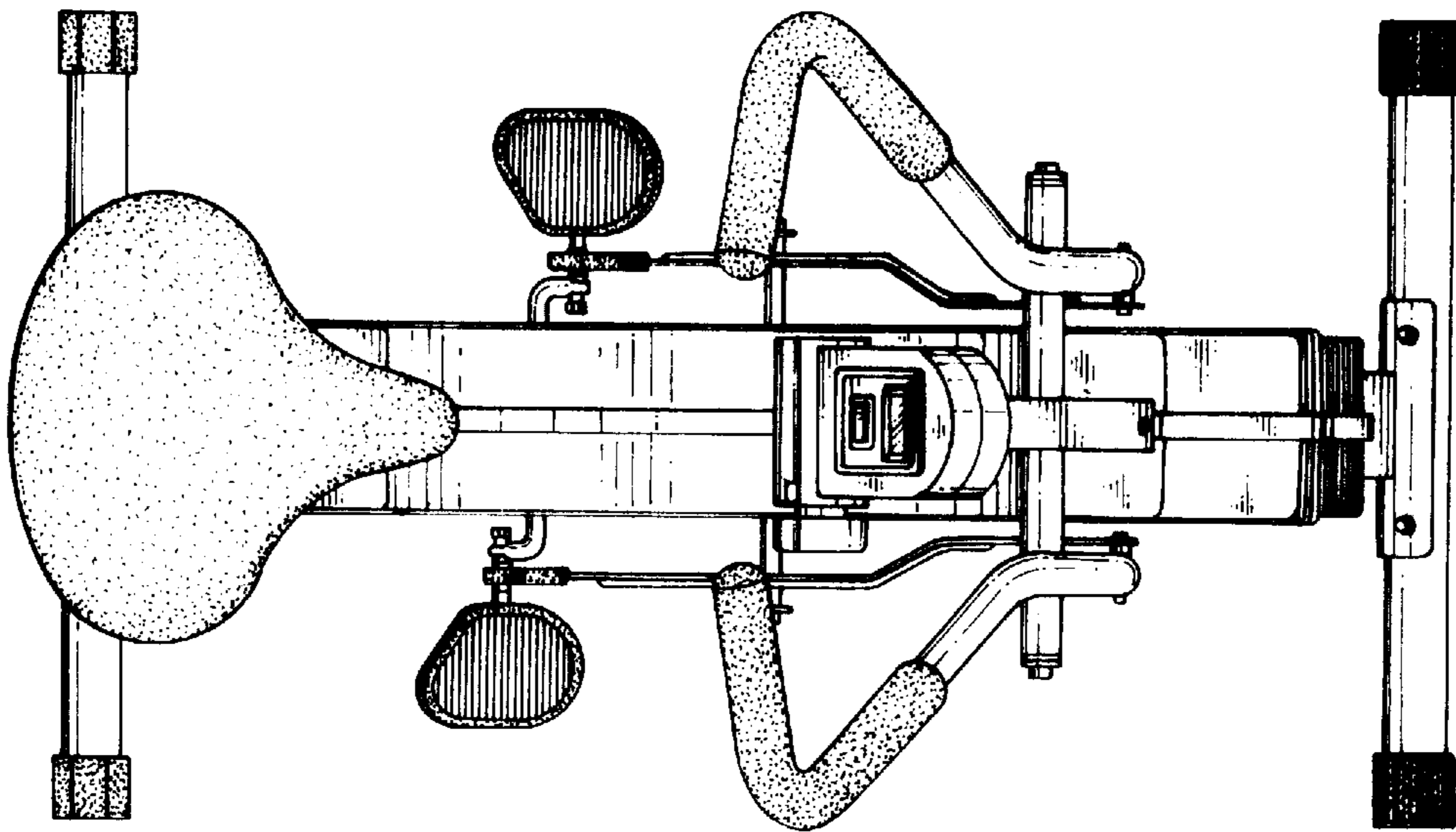


Fig. 4

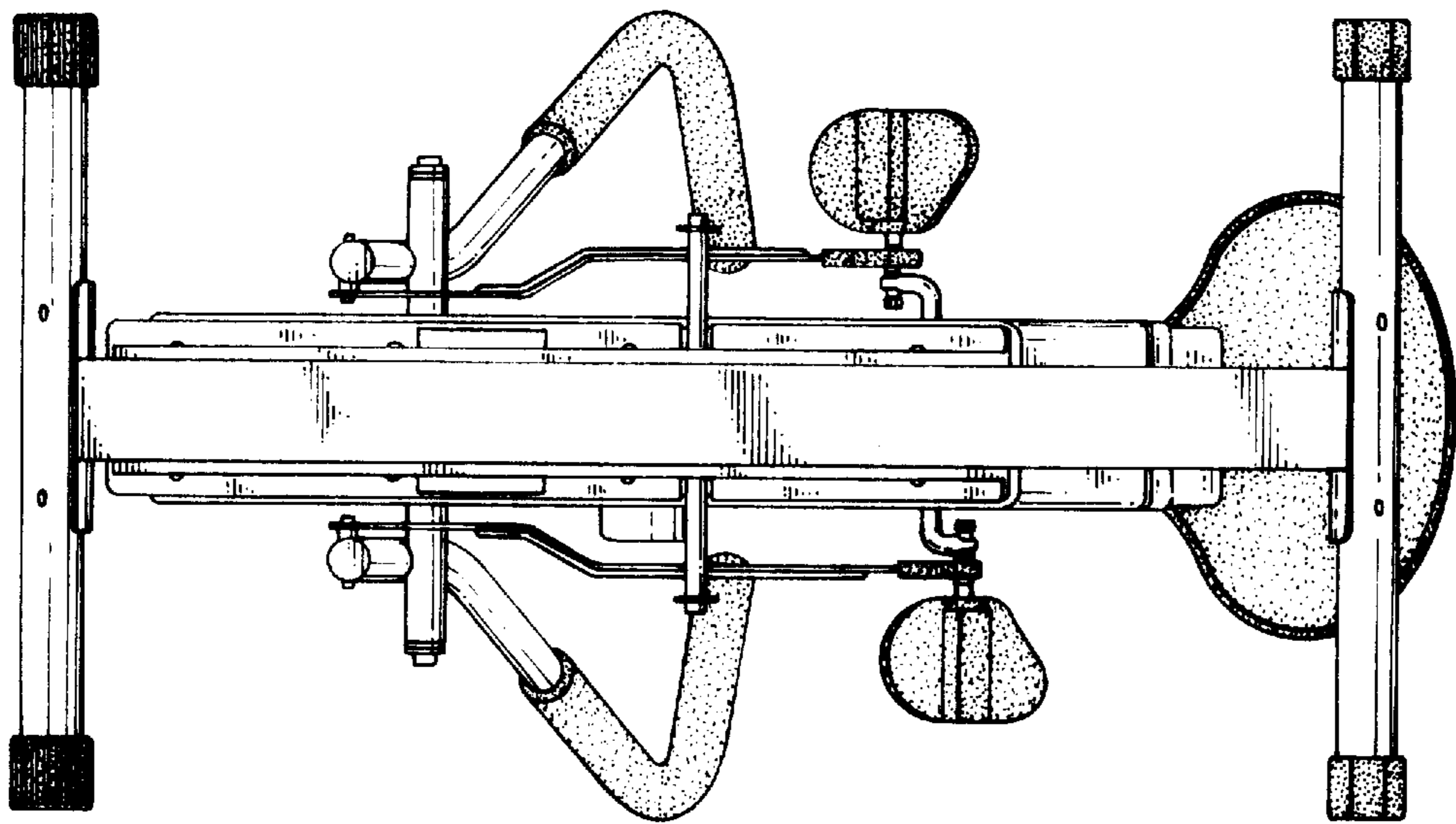


Fig. 5

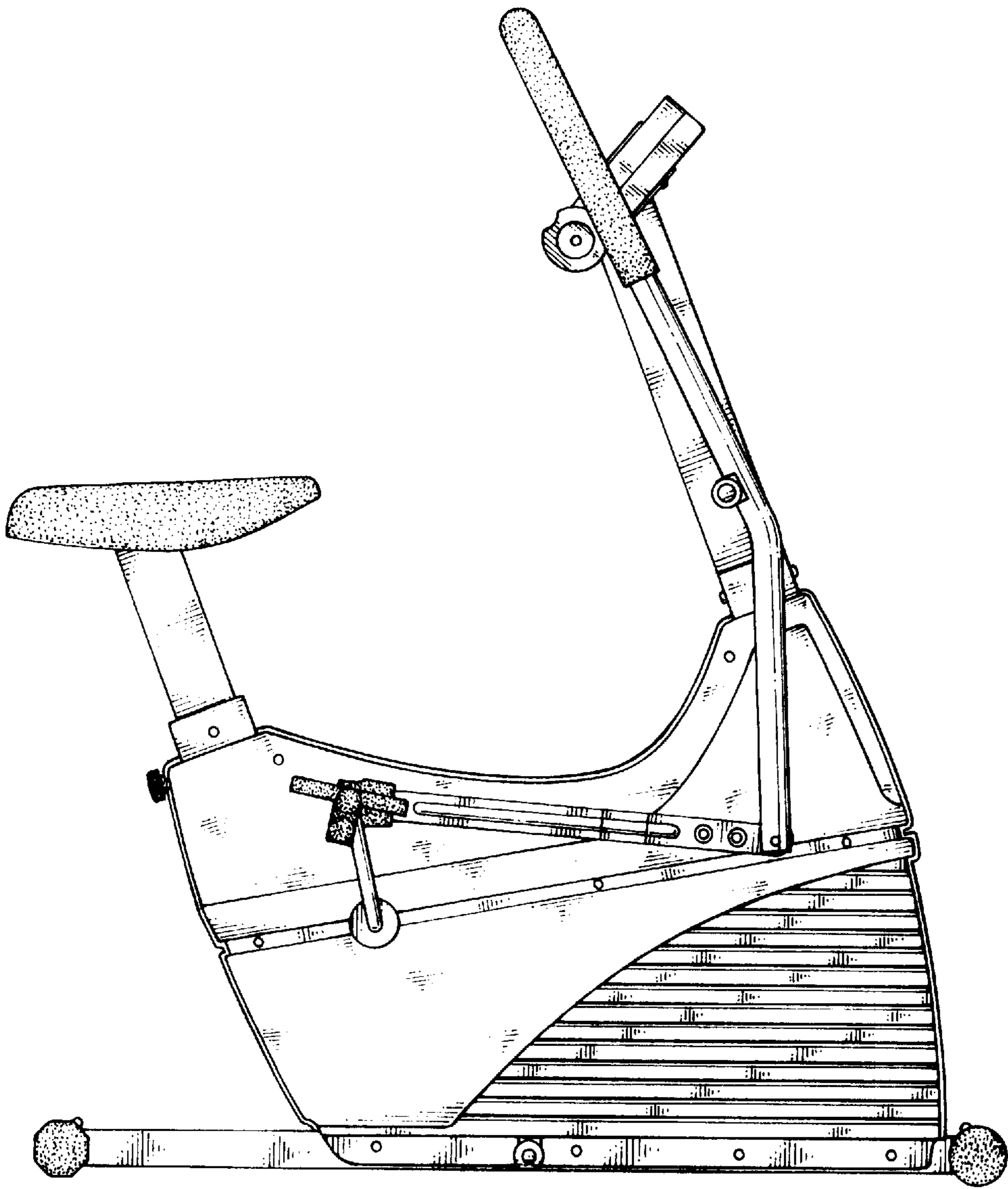


Fig. 6

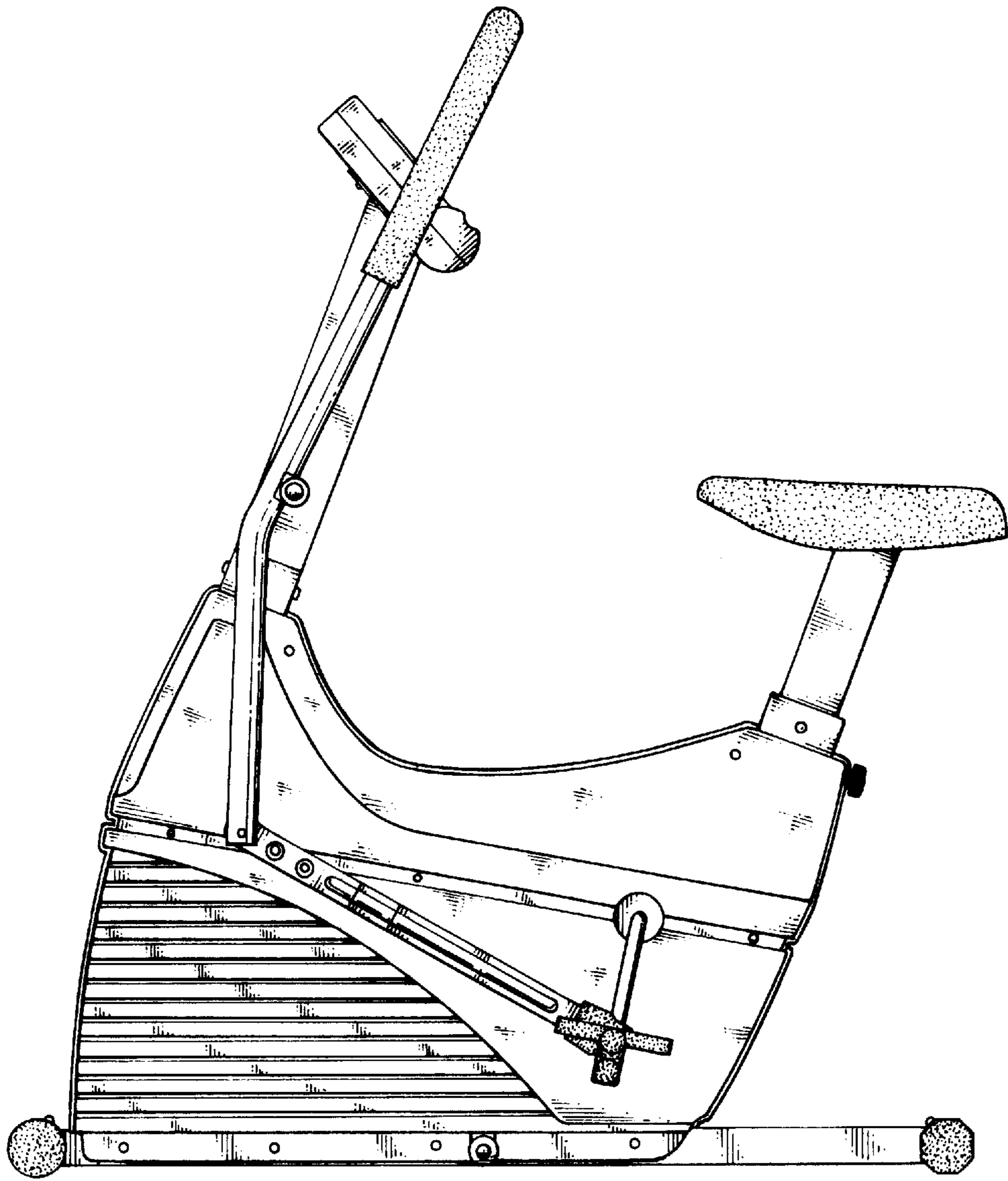


Fig. 7